

US00D430141S

# United States Patent [19] Liu

[11] **Patent Number: Des. 430,141**

[45] **Date of Patent: \*\* Aug. 29, 2000**

[54] **SPEAKER**

[76] Inventor: **Chun-I Liu**, P.O. Box No. 6-57,  
Chung-Ho City, Taipei Hsien 235,  
Taiwan

[\*\*] Term: **14 Years**

[21] Appl. No.: **29/112,177**

[22] Filed: **Oct. 13, 1999**

[51] **LOC (7) Cl.** ..... **14-01**

[52] **U.S. Cl.** ..... **D14/215**

[58] **Field of Search** ..... D14/204, 209-216;  
181/144-148, 150, 157, 198-199; 381/300-302,  
307, 332-336, 359, 361

[56] **References Cited**

**U.S. PATENT DOCUMENTS**

D. 182,290 2/1958 Johnson et al. .... D14/216

D. 248,647 7/1978 Nussdorfer ..... D14/215  
D. 302,430 7/1989 Matsushima et al. .... D14/214  
D. 320,020 9/1991 Iwano ..... D14/215  
5,133,428 7/1992 Perrson ..... 181/199 X

*Primary Examiner*—Nanda Bondade

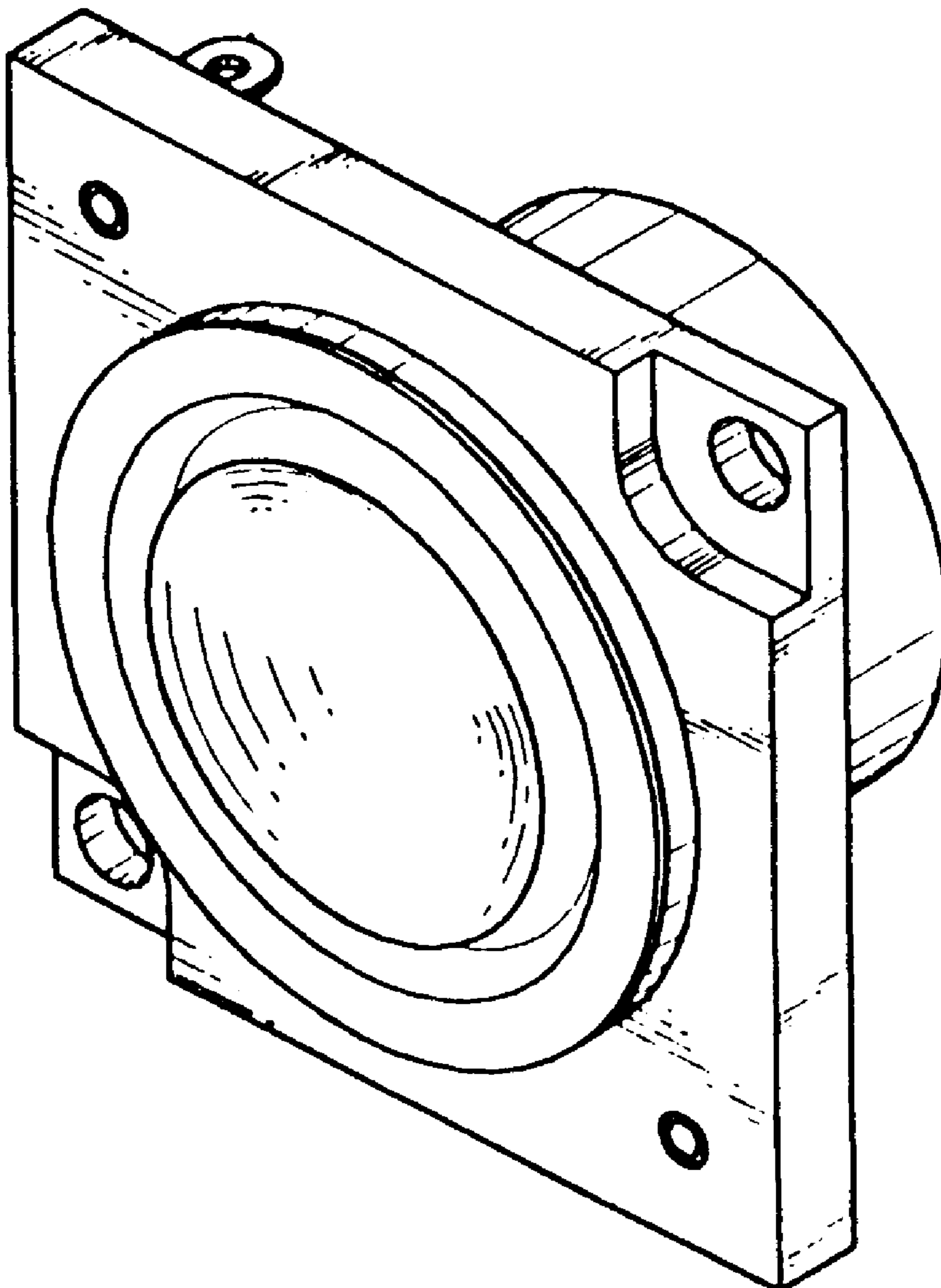
[57] **CLAIM**

The ornamental design for a speaker, as shown and described.

**DESCRIPTION**

FIG. 1 is a perspective view of a speaker;  
FIG. 2 is a front view thereof;  
FIG. 3 is a back view thereof;  
FIG. 4 is a left side view thereof;  
FIG. 5 is a right side view thereof;  
FIG. 6 is a top view thereof; and,  
FIG. 7 is a bottom view thereof.

**1 Claim, 4 Drawing Sheets**



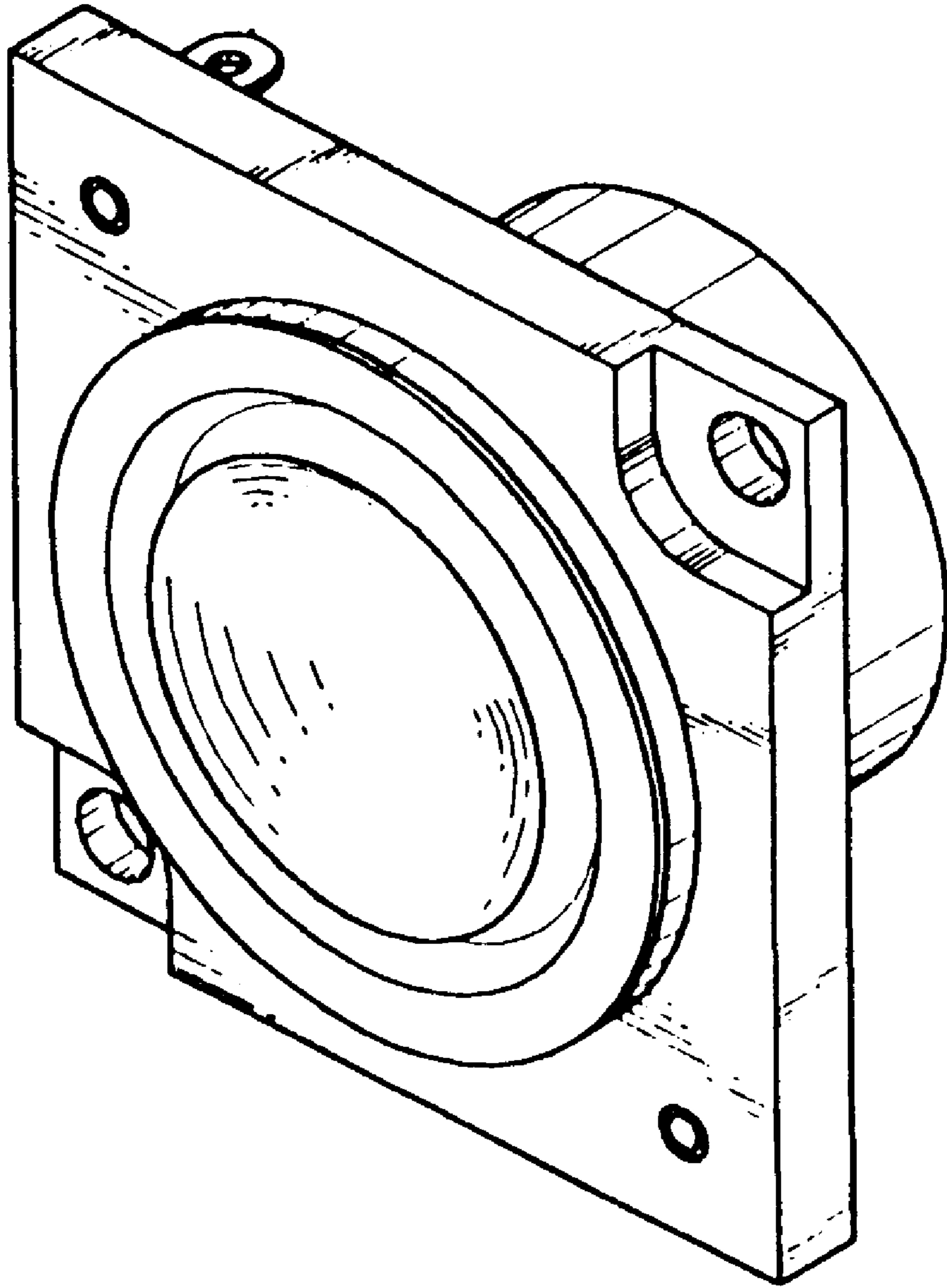


FIG. 1

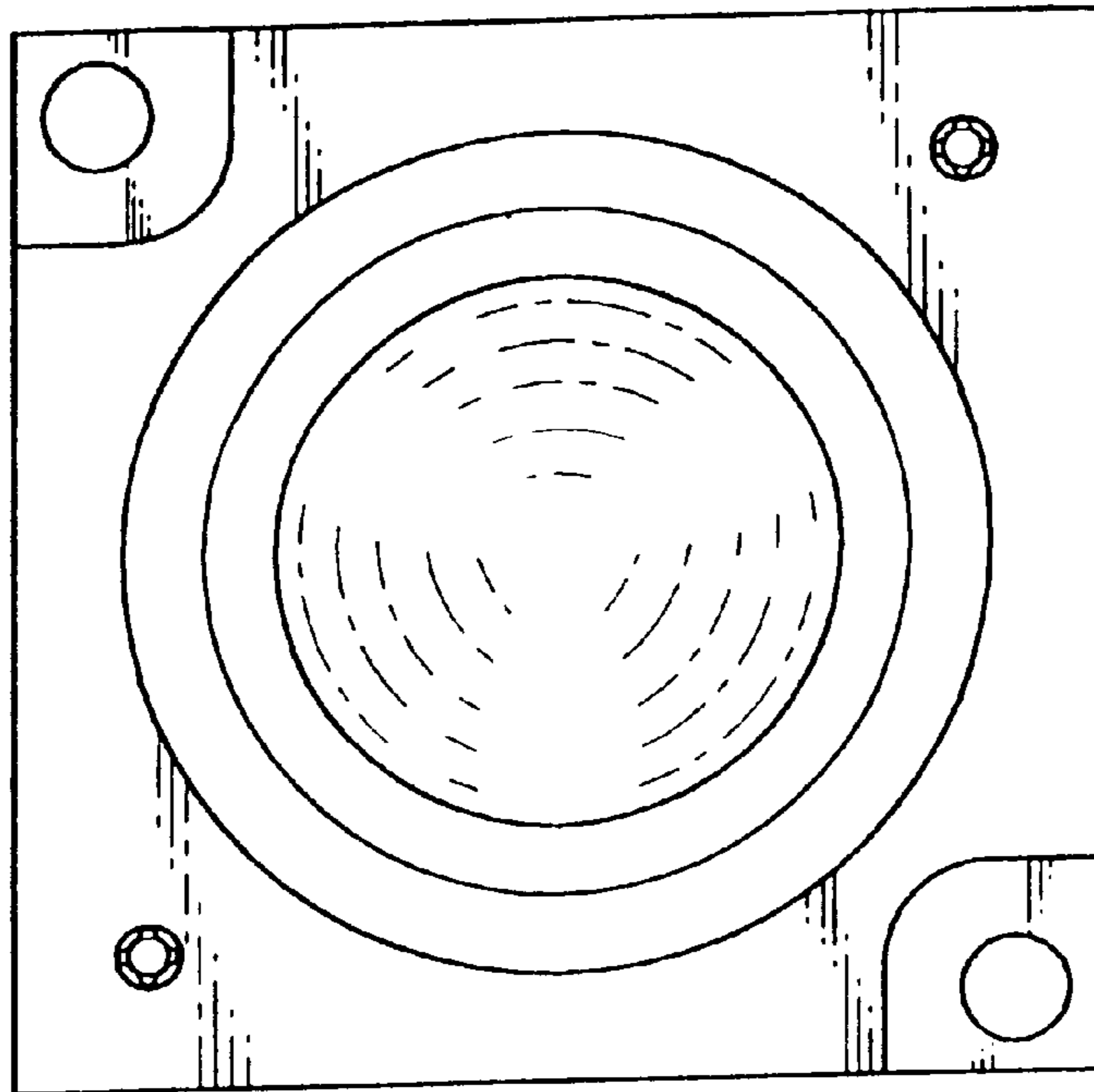


FIG.2

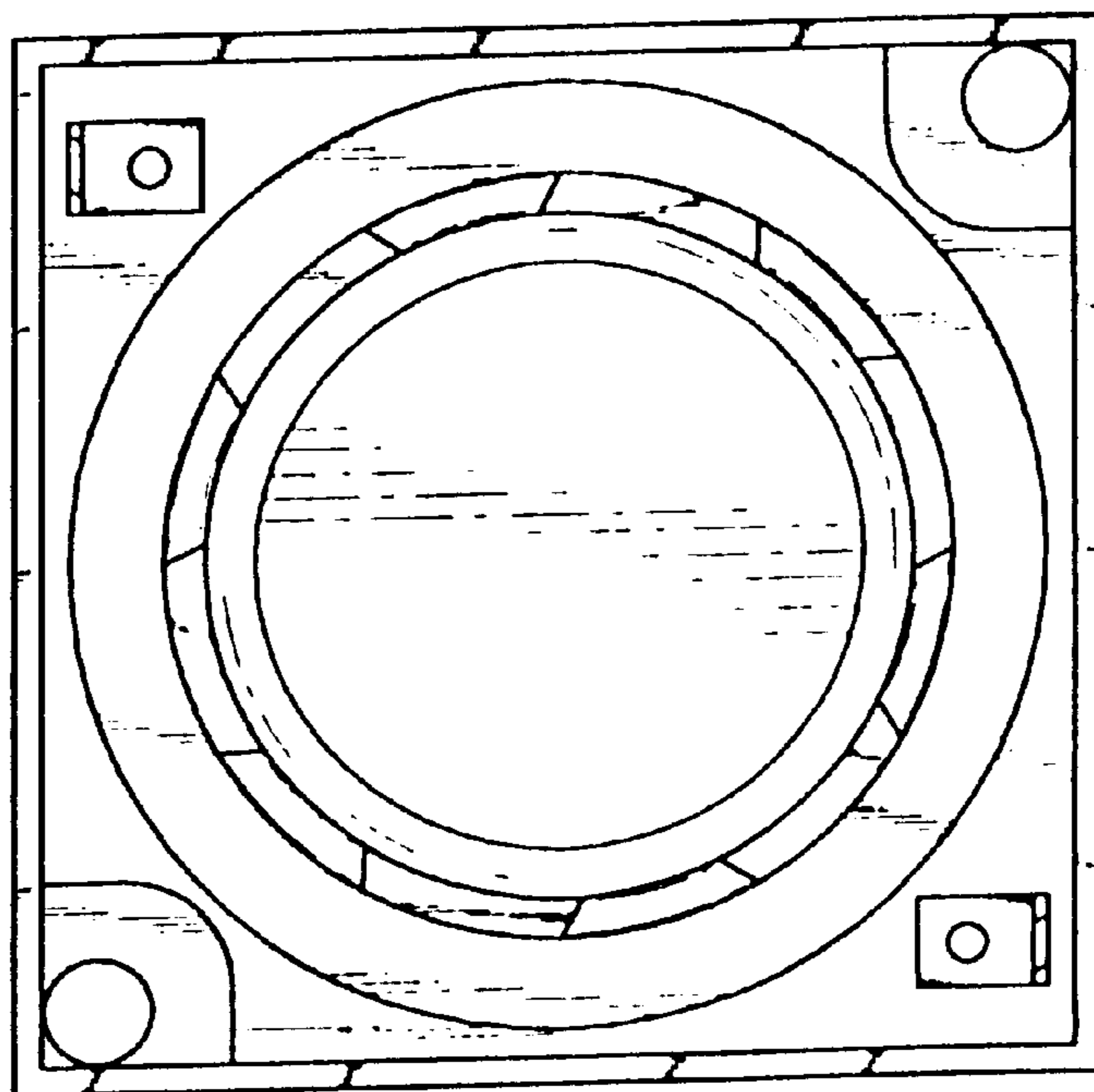


FIG.3

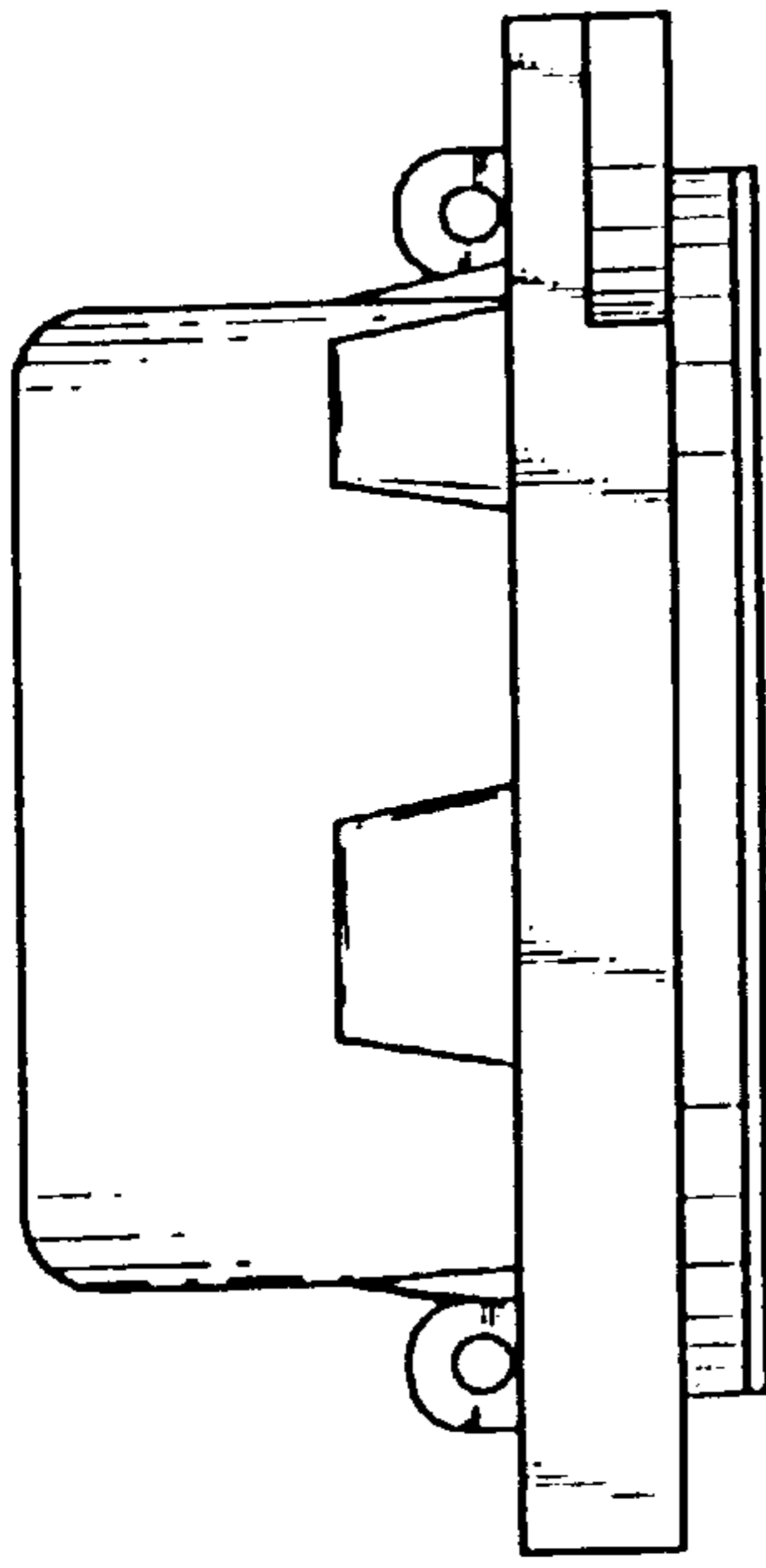


FIG. 4

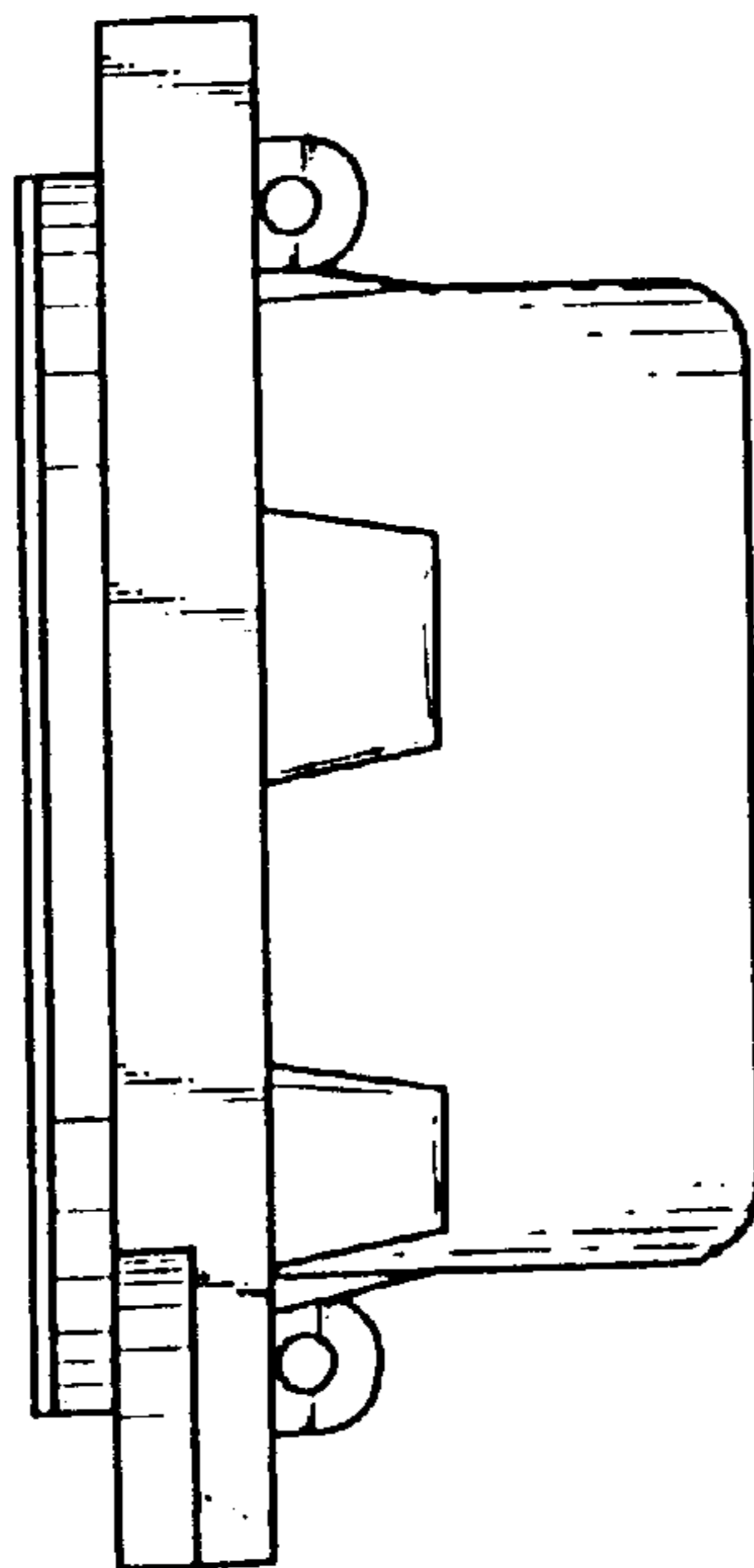


FIG. 5

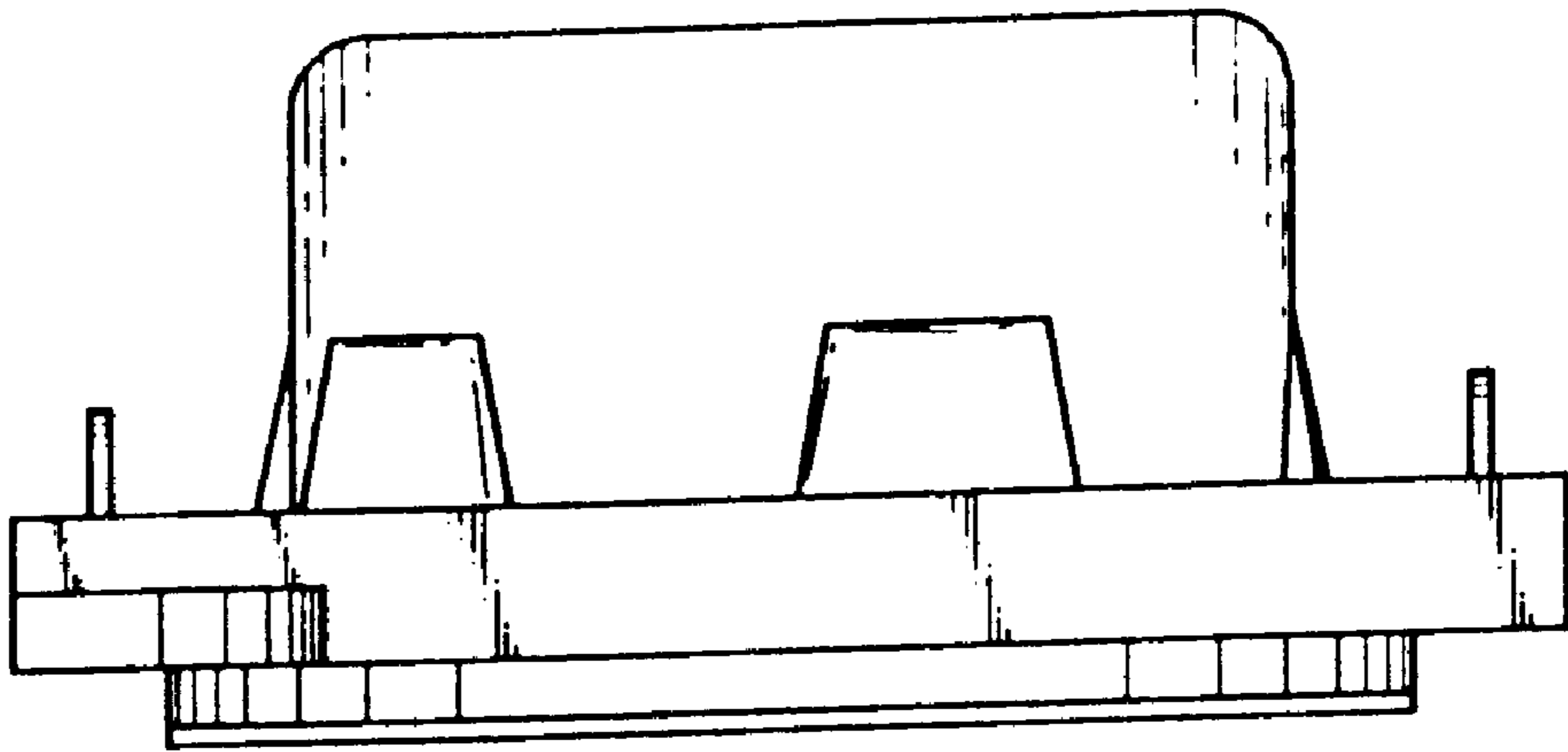


FIG. 6

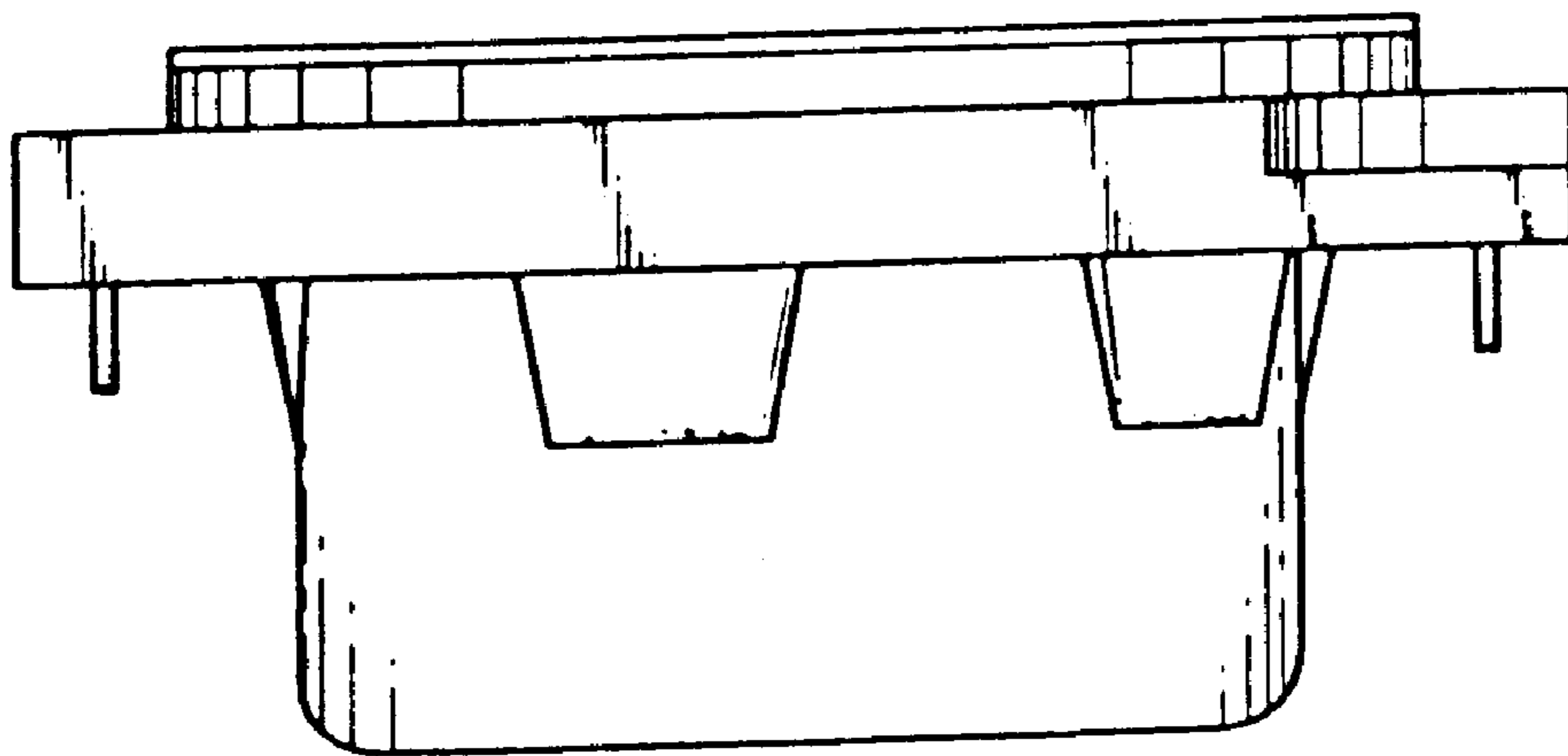


FIG. 7