



US00D430140S

**United States Patent** [19]  
**Roman**

[11] **Patent Number: Des. 430,140**

[45] **Date of Patent: \*\* Aug. 29, 2000**

[54] **WIRELESS HEADPHONE**

[76] Inventor: **Larry Roman**, 2966 Morningside St.,  
San Diego, Calif. 92139

[\*\*] Term: **14 Years**

[21] Appl. No.: **29/105,512**

[22] Filed: **May 27, 1999**

[51] **LOC (7) Cl. .... 14-01**

[52] **U.S. Cl. .... D14/205**

[58] **Field of Search** ..... D14/192, 205,  
D14/206, 223; 181/129, 130; 379/430,  
431; 381/309, 370

[56] **References Cited**

**U.S. PATENT DOCUMENTS**

D. 254,183	2/1980	Doodson	.....	D14/205
D. 286,874	11/1986	Bertagna et al.	.....	D14/205
4,499,593	2/1985	Antle	.....	381/309
4,546,215	10/1985	Ferraro	.....	D14/205 X
5,095,382	3/1992	Abe	.....	381/309

**OTHER PUBLICATIONS**

Stereo Review, p. 57, Cordless Headphones, Jun. 1989.

*Primary Examiner*—Nanda Bondade

[57] **CLAIM**

The ornamental design for a wireless headphone, as shown and described.

**DESCRIPTION**

FIG. 1 is a front elevational view of the wireless headphone of the present invention;

FIG. 2 is a back elevational view of the wireless headphone of FIG. 1;

FIG. 3 is a left side elevational view of the wireless headphone of FIG. 1;

FIG. 4 is a right side elevational view of the wireless headphone of FIG. 1;

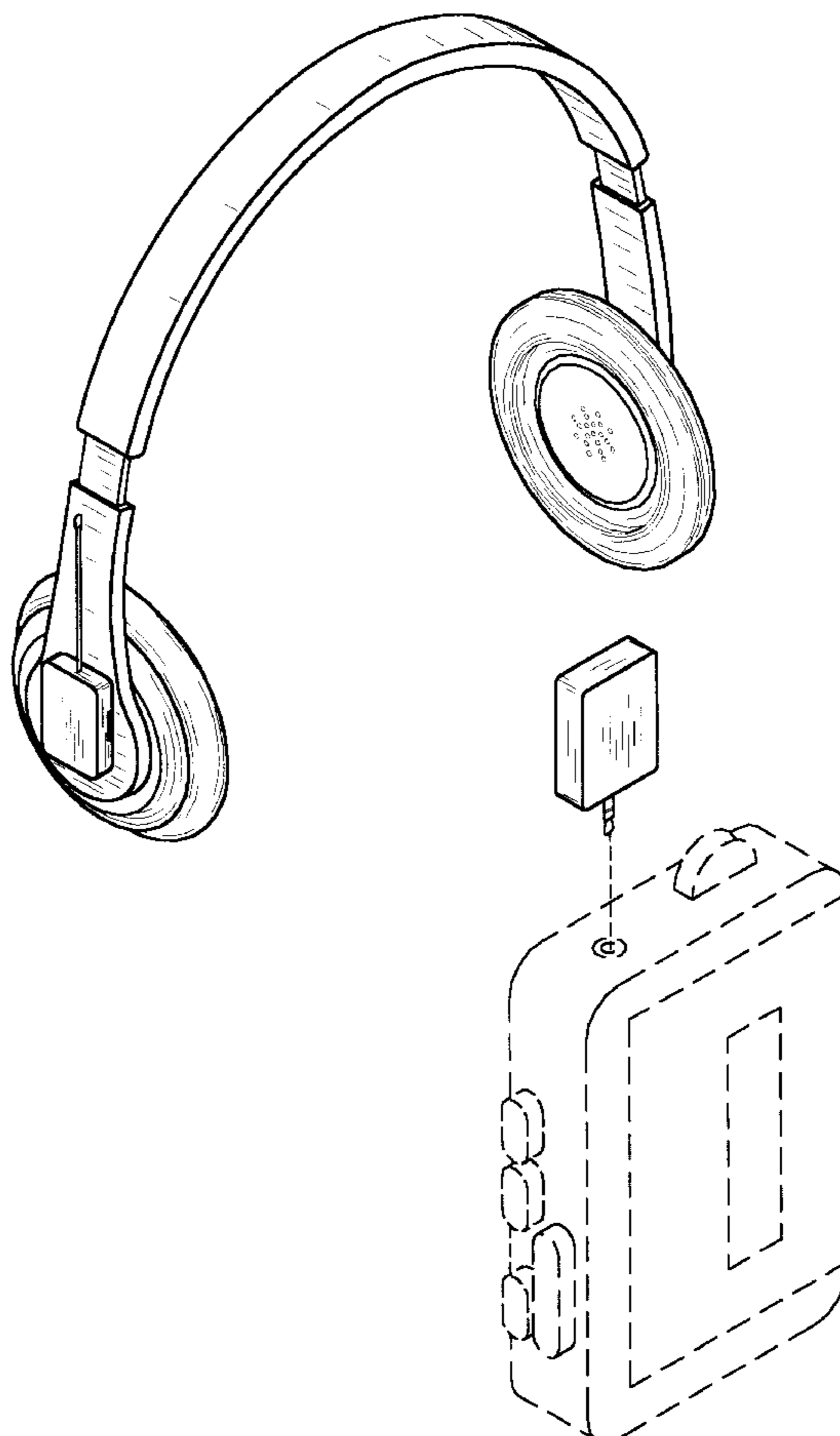
FIG. 5 is a top plan view of the wireless headphone of FIG. 1;

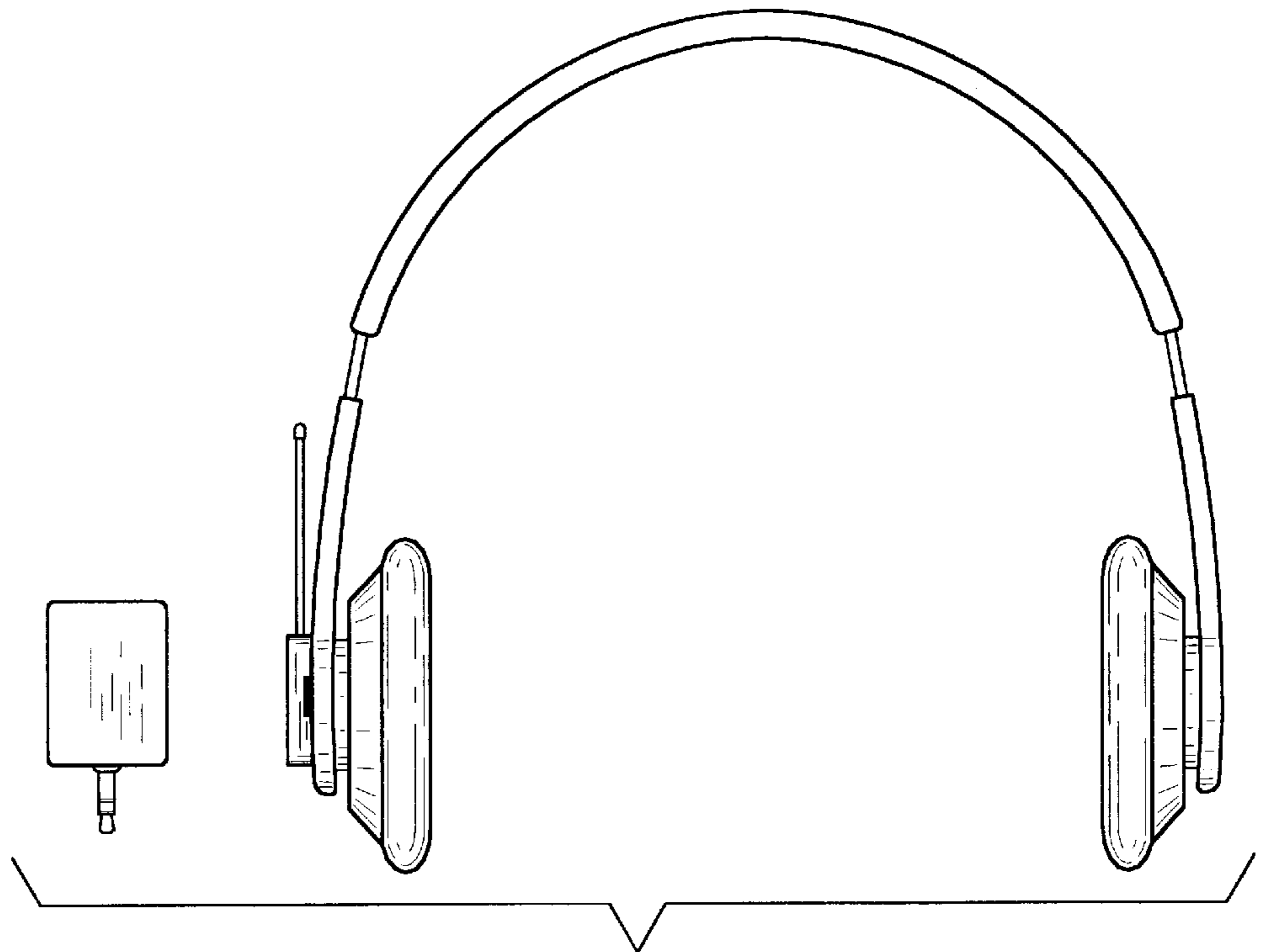
FIG. 6 is a bottom plan view of the wireless headphone of FIG. 1; and,

FIG. 7 is a top, front and left side perspective view of the wireless headphone of FIG. 1.

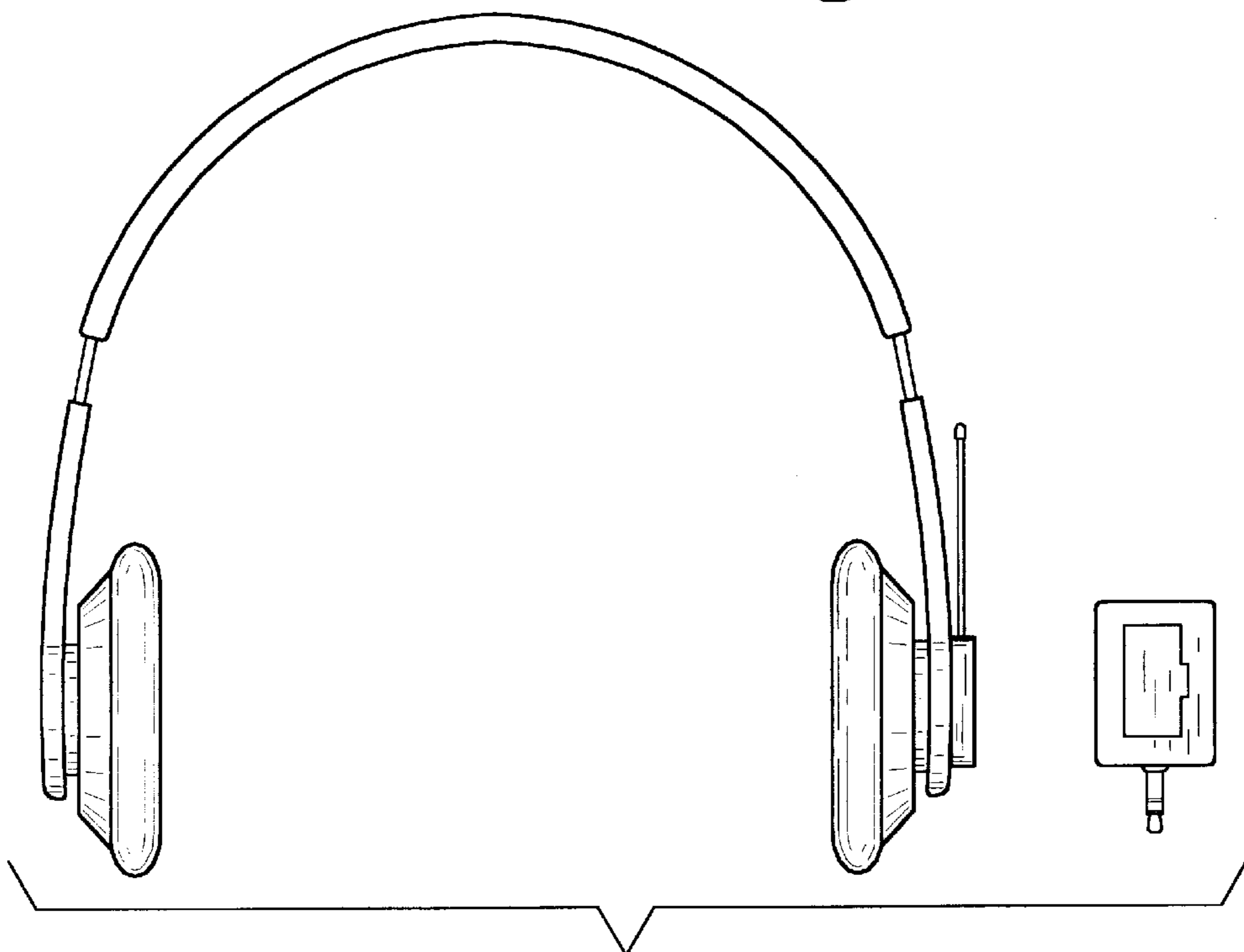
The broken lines showing of a radio in FIG. 7 are for illustrative purposes only and form no part of the claimed design.

**1 Claim, 4 Drawing Sheets**

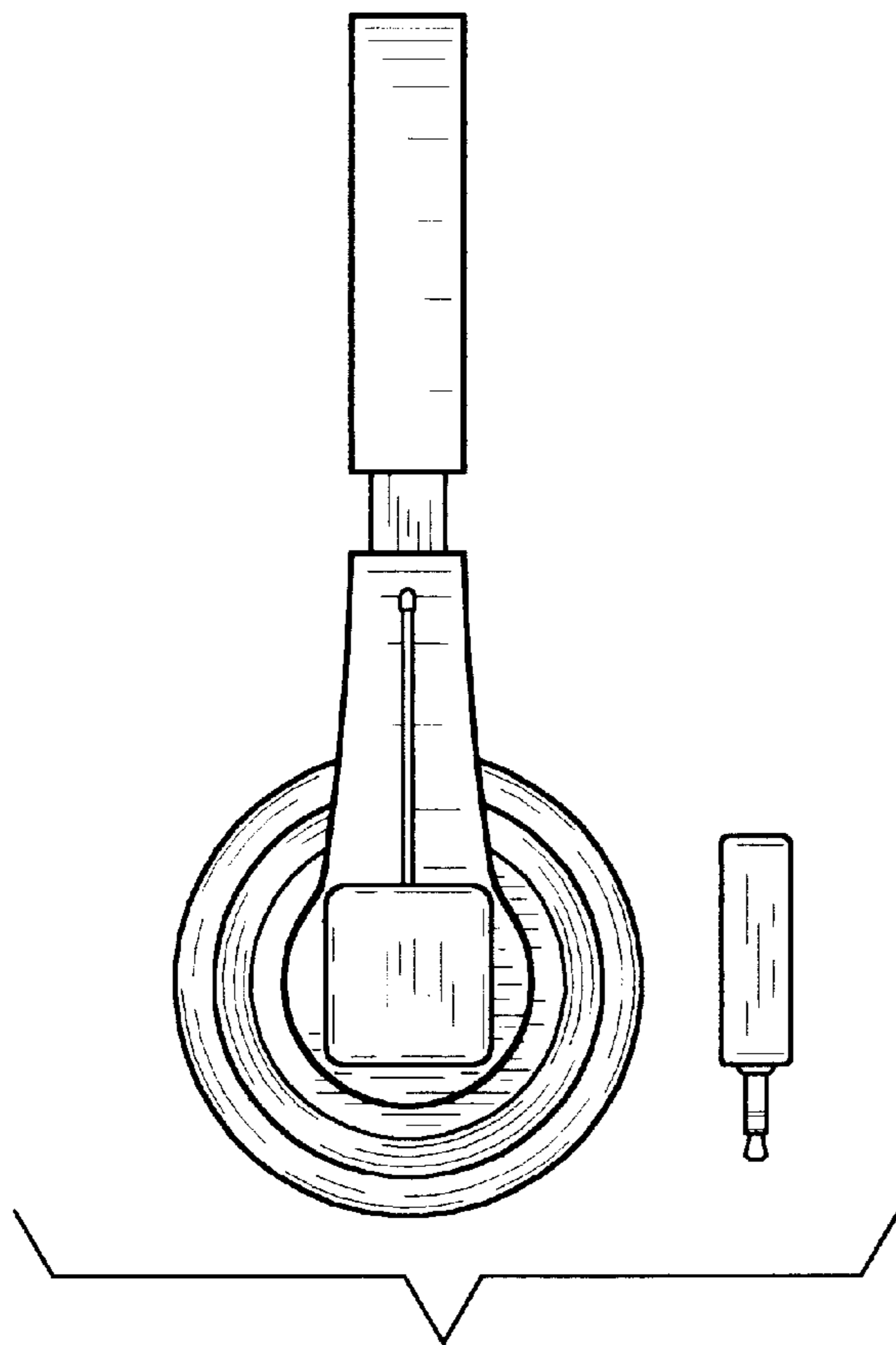




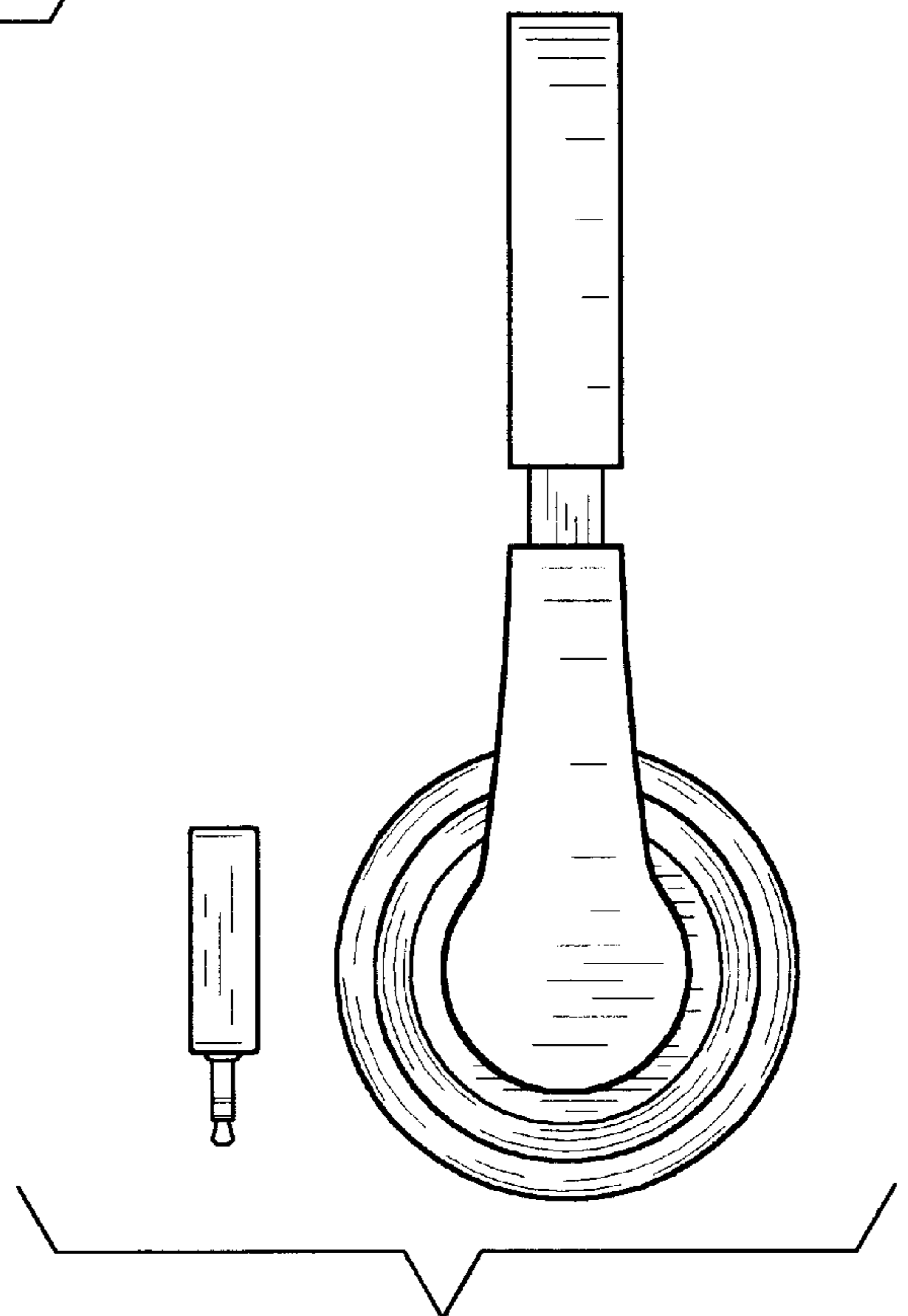
*Fig. 1*



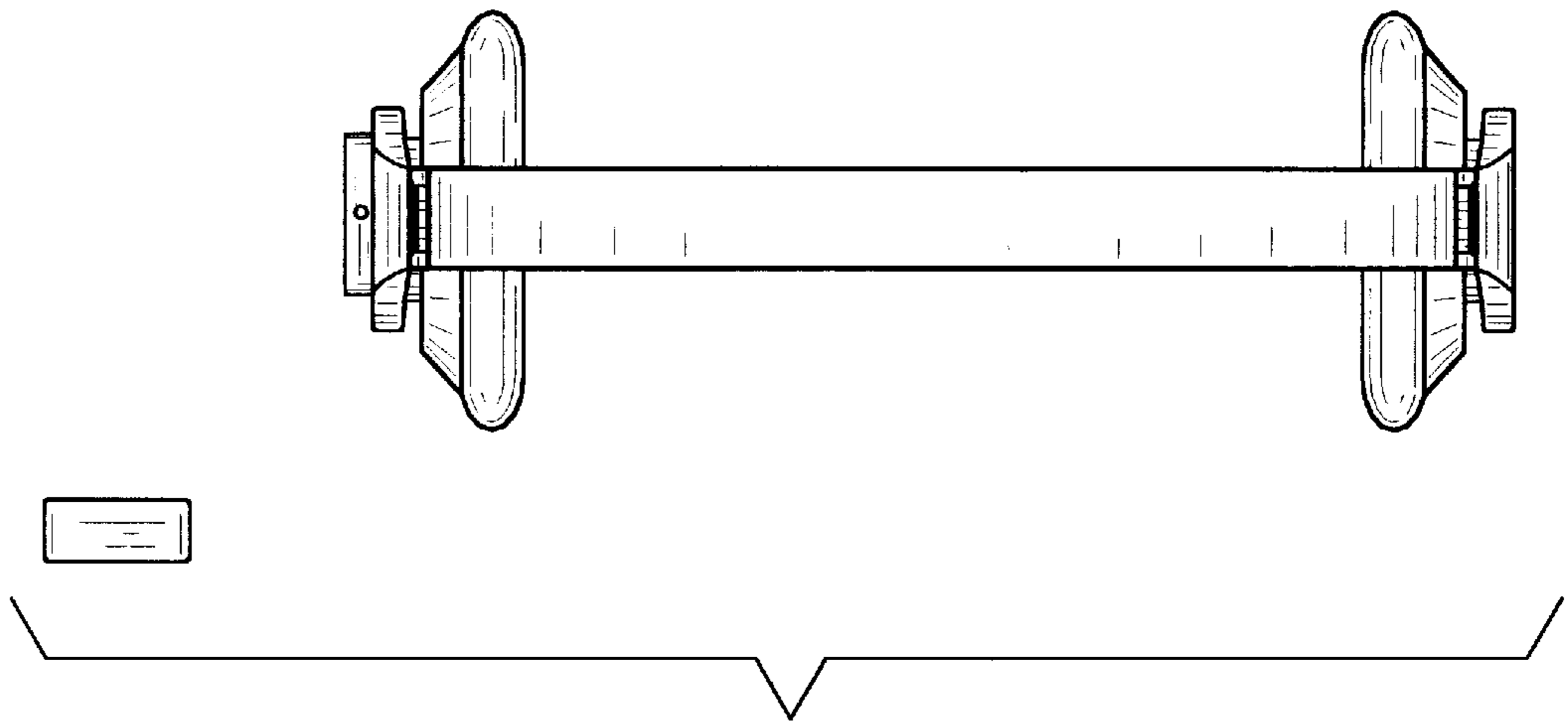
*Fig. 2*



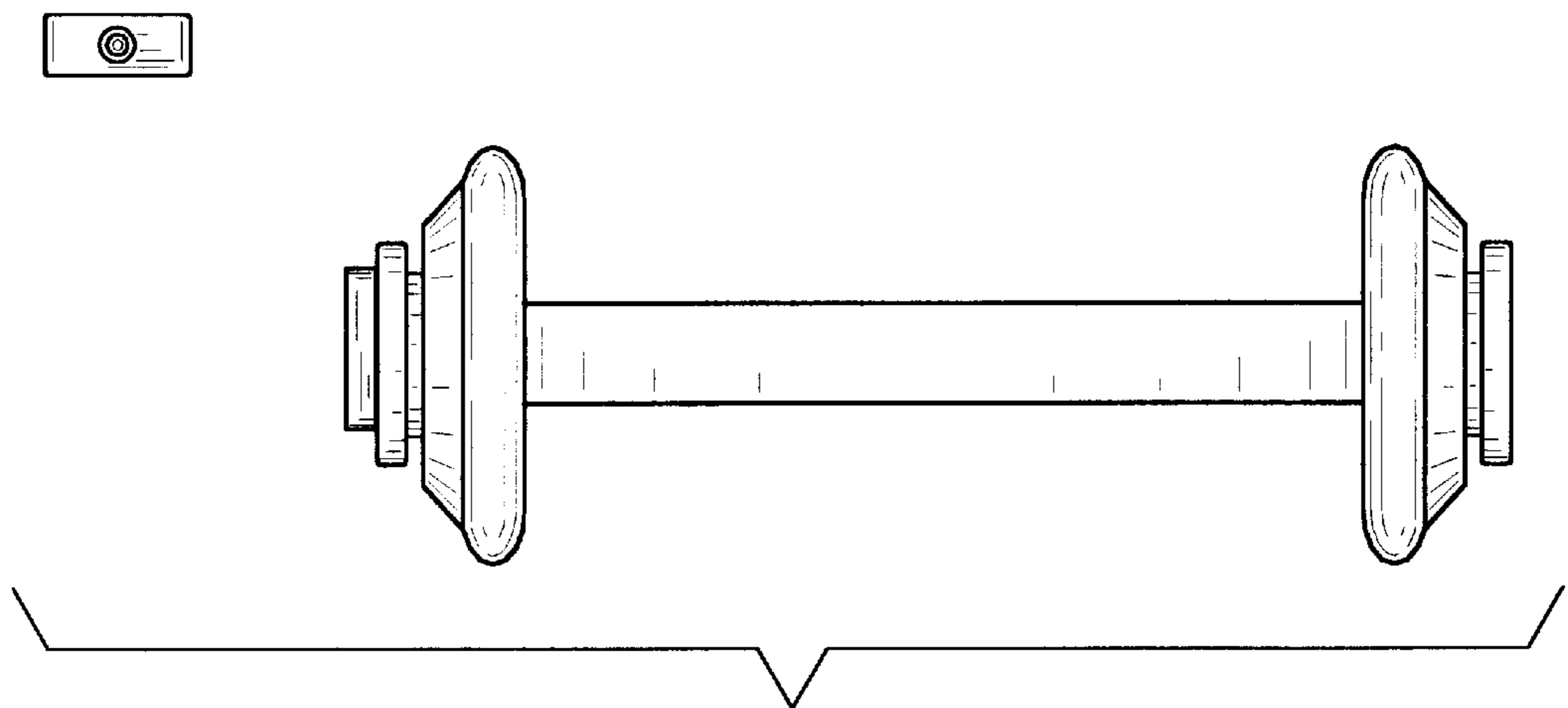
*Fig. 3*



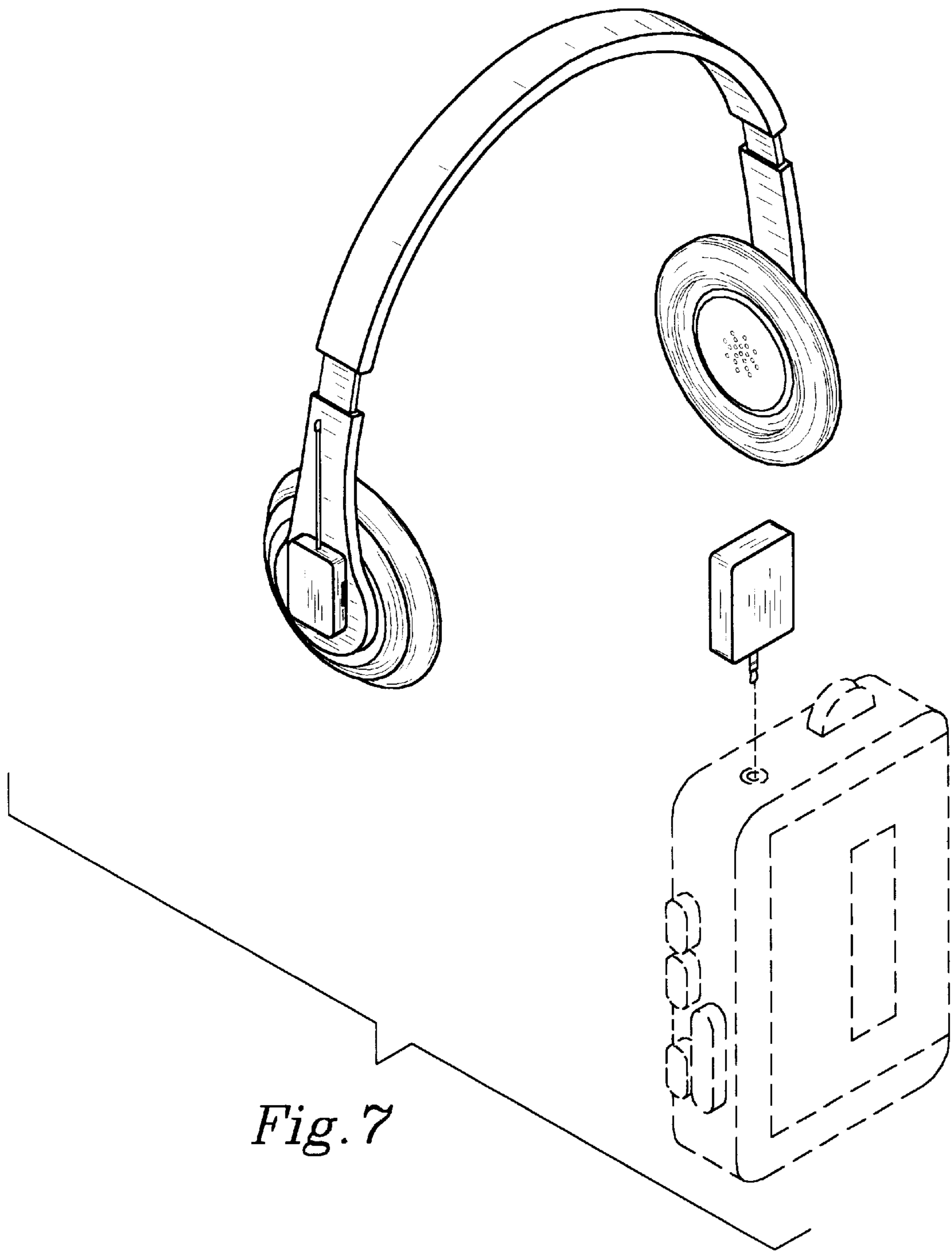
*Fig. 4*



*Fig. 5*



*Fig. 6*



*Fig. 7*