



US00D430138S

# United States Patent [19]

Ben-Moshe

[11] Patent Number: Des. 430,138

[45] Date of Patent: \*\* Aug. 29, 2000

[54] PORTABLE RADIO

[75] Inventor: Rami Ben-Moshe, Canoga Park, Calif.

[73] Assignee: Solar Image Corporation, Canoga Park, Calif.

[\*\*] Term: 14 Years

[21] Appl. No.: 29/104,185

[22] Filed: Apr. 30, 1999

[51] LOC (7) Cl. .... 14-03

[52] U.S. Cl. .... D14/196

[58] Field of Search ..... D14/169, 170, D14/172, 188, 192-198, 299; 455/344, 347-351

### [56] References Cited

#### U.S. PATENT DOCUMENTS

- D. 238,704 2/1976 Ohta ..... D14/192
- D. 239,339 3/1976 Hamada ..... D14/192

- D. 241,975 10/1976 Takei ..... D14/194
- D. 244,799 6/1977 Kolwaite ..... D14/198
- D. 251,429 3/1979 Makino et al. .... D14/194
- D. 367,277 2/1996 Moshe ..... D14/196

Primary Examiner—Nanda Bondade  
Attorney, Agent, or Firm—Michael A. Painter

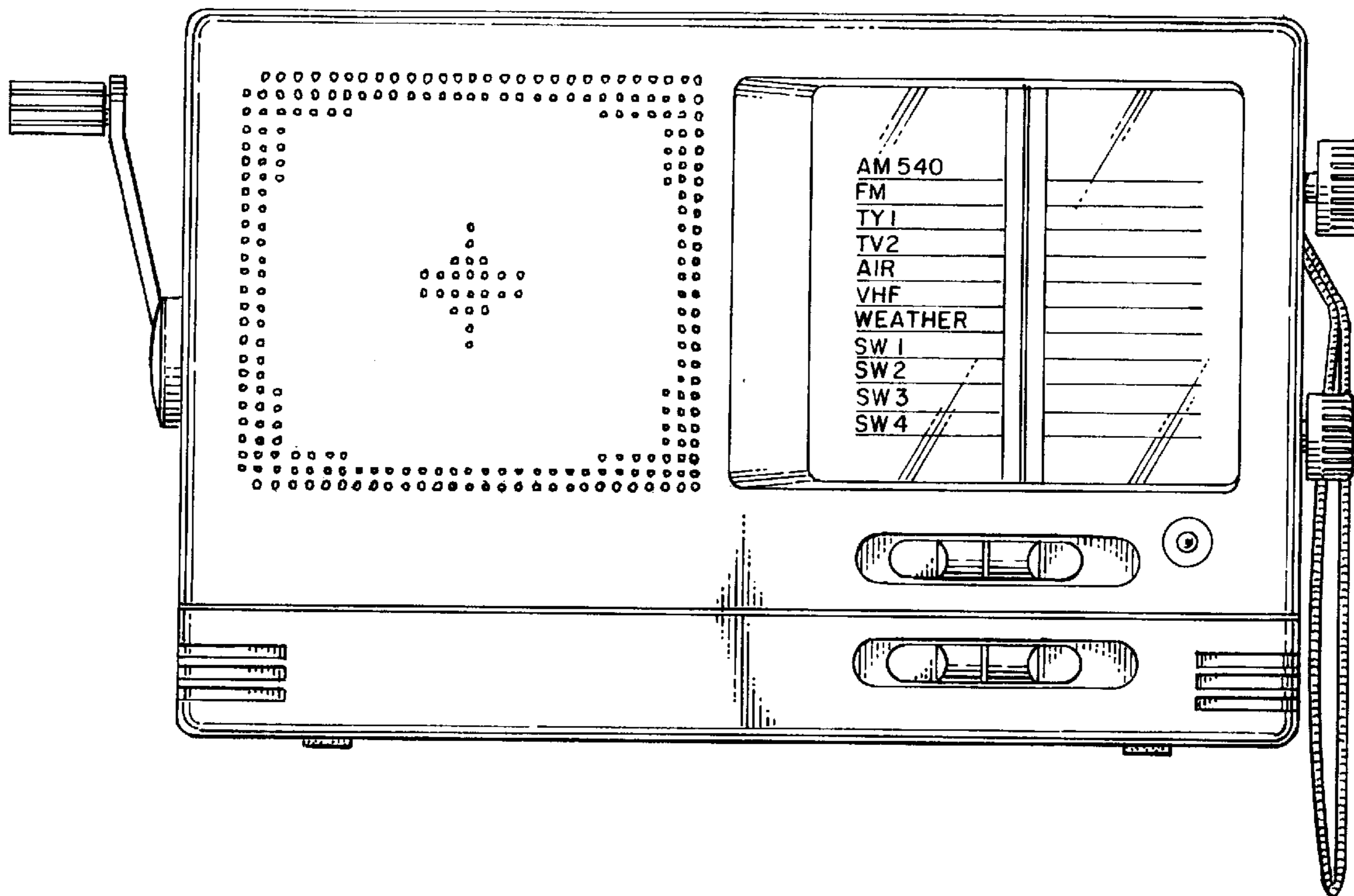
### [57] CLAIM

The ornamental design for a portable radio, as described and shown.

### DESCRIPTION

FIG. 1 is a front elevation view of a portable radio illustrating my new design;  
FIG. 2 is a top view thereof;  
FIG. 3 is a left side view thereof;  
FIG. 4 is a right side view thereof;  
FIG. 5 is a back view thereof; and,  
FIG. 6 is a bottom view thereof.

1 Claim, 3 Drawing Sheets



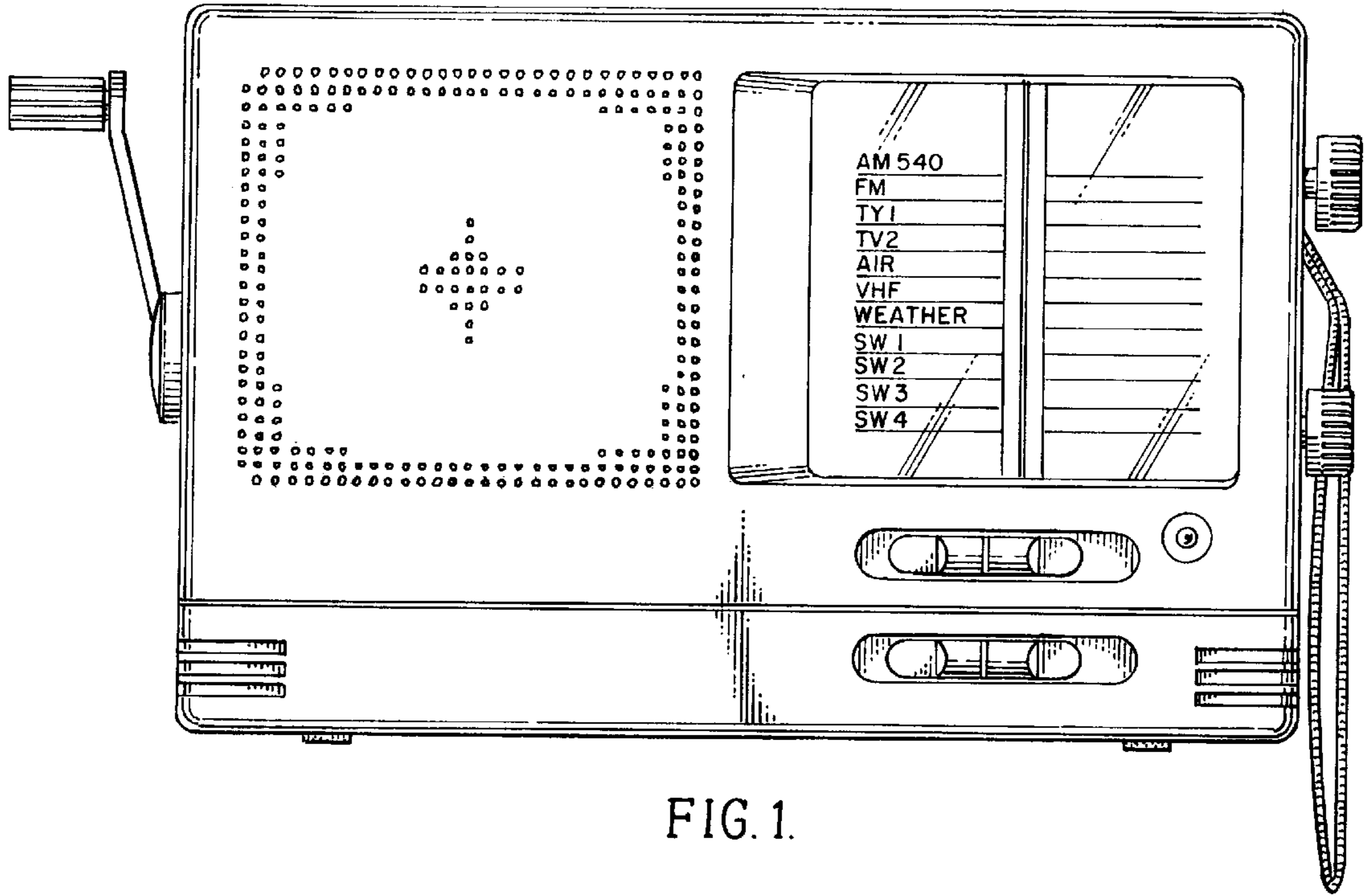


FIG. 1.

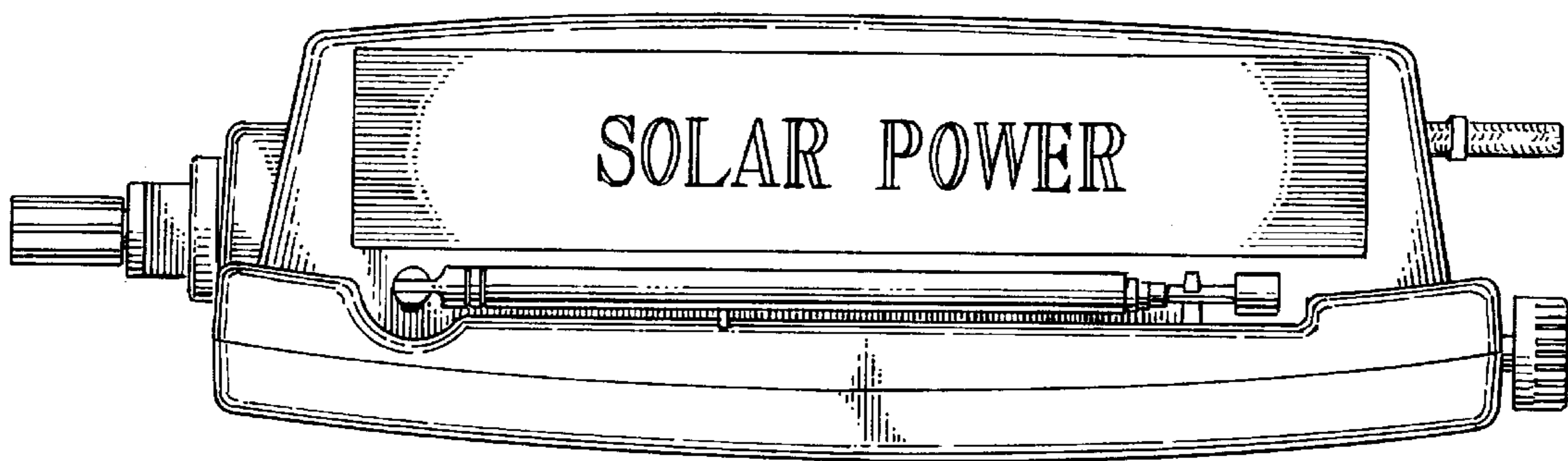


FIG. 2.

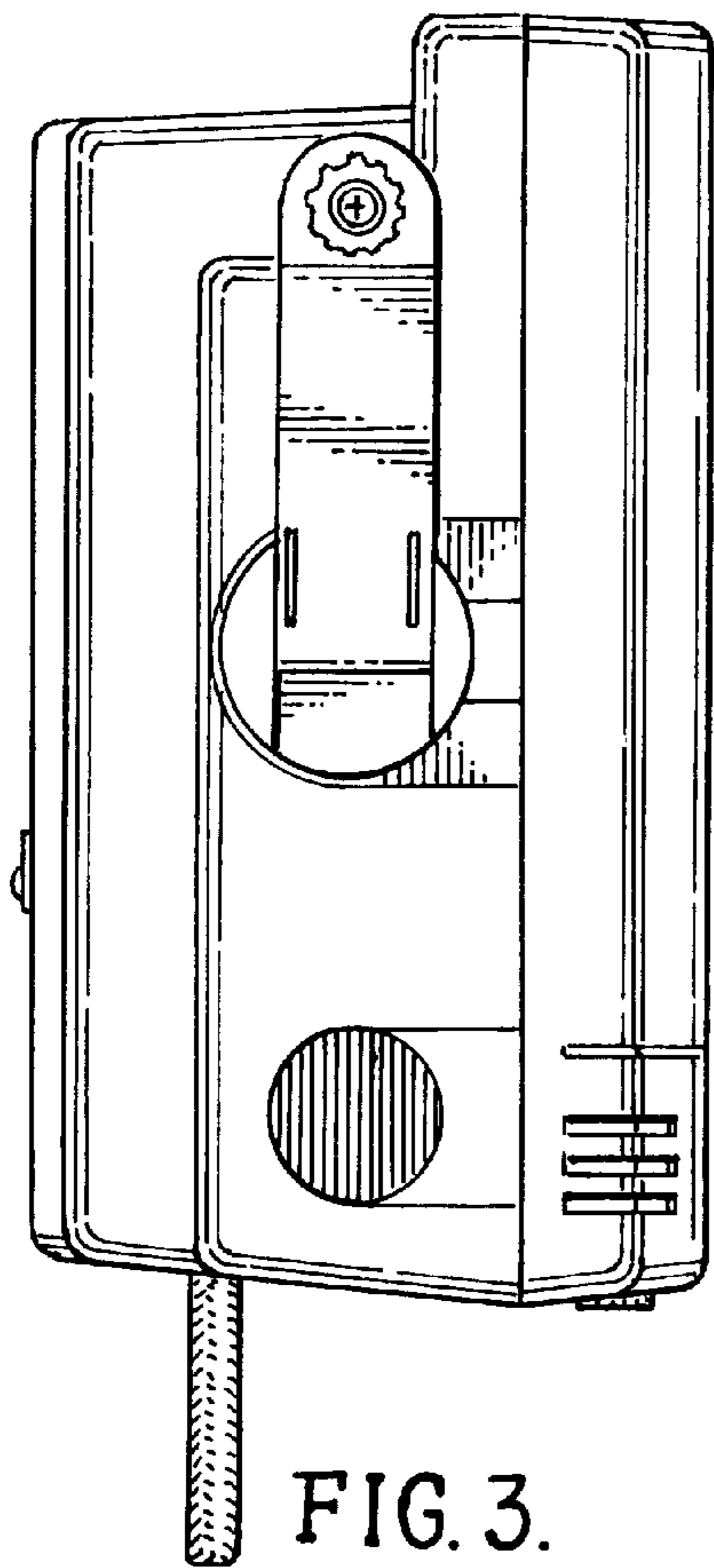


FIG. 3.

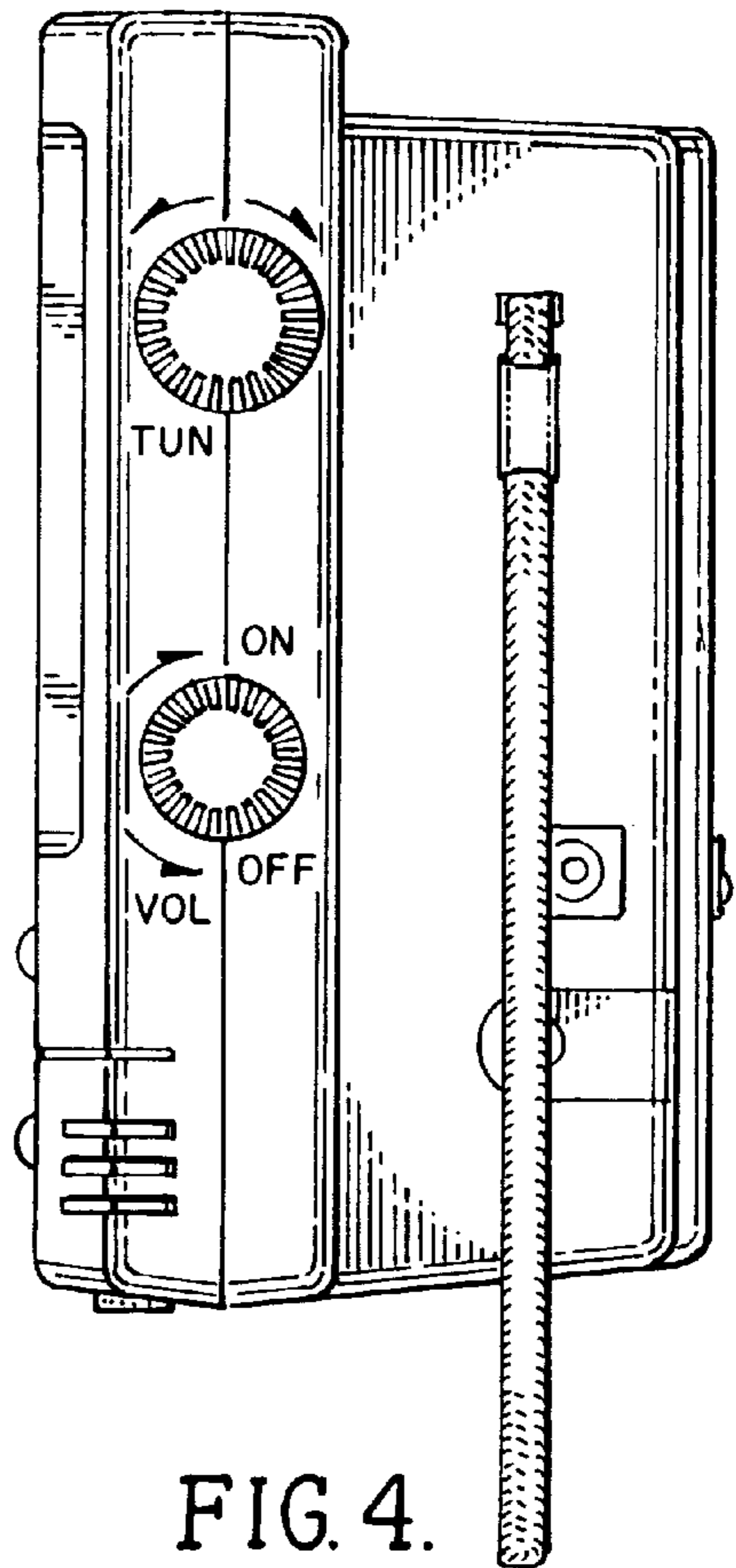


FIG. 4.

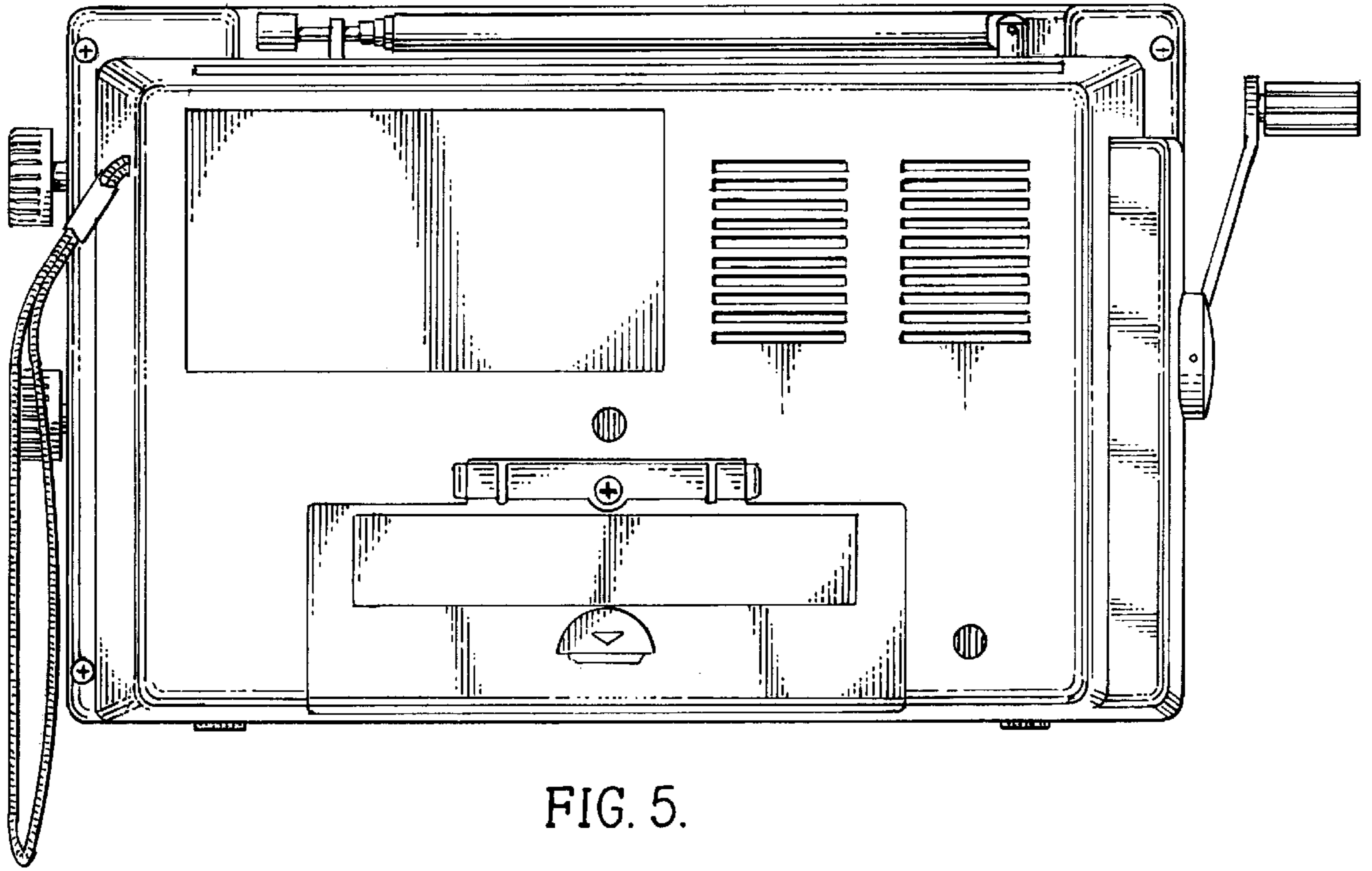


FIG. 5.

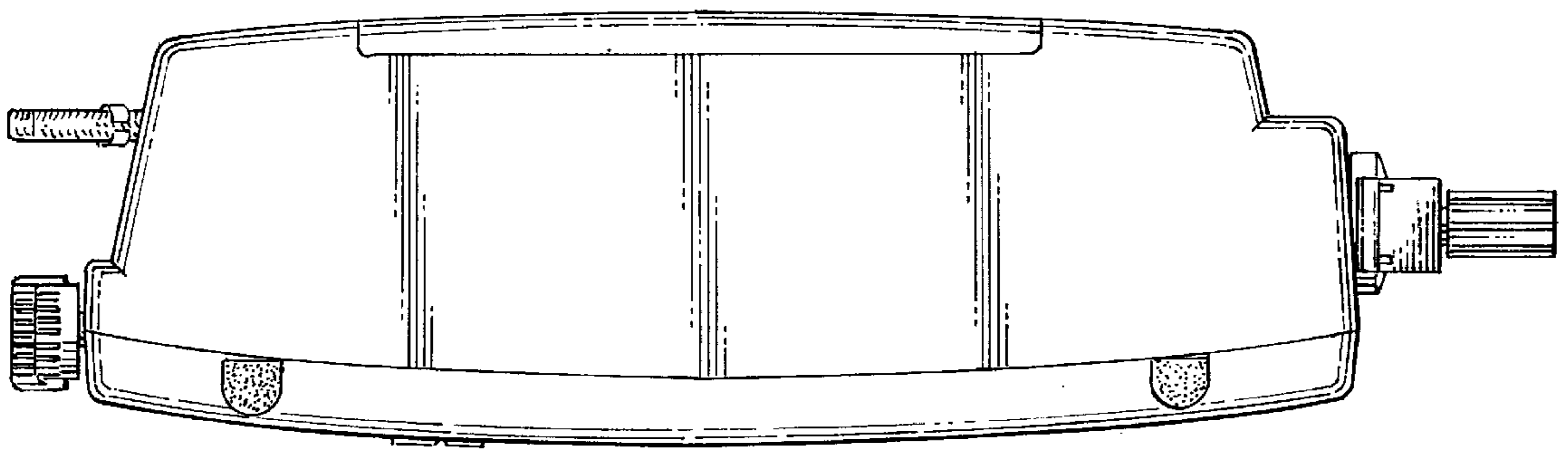


FIG. 6.