



US00D430132S

United States Patent [19]
Yamazaki

[11] **Patent Number: Des. 430,132**
[45] **Date of Patent: ** Aug. 29, 2000**

[54] **COMBINED DISC PLAYER AND RECEIVER**

[75] Inventor: **Akira Yamazaki**, Tokyo, Japan

[73] Assignee: **Sony Corporation**, Japan

[**] Term: **14 Years**

[21] Appl. No.: **29/103,082**

[22] Filed: **Apr. 8, 1999**

Related U.S. Application Data

[62] Division of application No. 29/084,457, Mar. 4, 1998, Pat. No. Des. 411,996.

[51] **LOC (7) Cl.** **14-01**

[52] **U.S. Cl.** **D14/156; D14/168**

[58] **Field of Search** D14/135-136,
D14/156-157, 160-162, 164, 167, 188,
197-198, 257, 258; 369/75.1, 75.2, 77.1,
77.2

[56] **References Cited**

U.S. PATENT DOCUMENTS

D. 328,747	8/1992	Ito et al.	D14/188
D. 351,167	10/1994	Yun	D14/156
D. 367,275	2/1996	Ito et al.	D14/188
D. 372,915	8/1996	Ito et al.	D14/188
D. 391,958	3/1998	Miyazawa et al.	D14/156 X
5,459,702	10/1995	Greenspan	D14/188 X

OTHER PUBLICATIONS

Sony Catalog "87", pp. 186, 187 & 188, (Nov. 1997).

Primary Examiner—Nanda Bondade

Attorney, Agent, or Firm—Rader, Fishman & Grauer;
Monica E. Millner

[57] **CLAIM**

The ornamental design for a combined disc player and receiver, as shown and described.

DESCRIPTION

FIG. 1 is a perspective view of a first embodiment of a combined disc player and receiver showing my new design;

FIG. 2 is a top plan view thereof;

FIG. 3 is a left side elevational view thereof;

FIG. 4 is a front elevational view thereof;

FIG. 5 is a bottom plan view thereof;

FIG. 6 is a right side elevational view thereof; and

The rear elevational view thereof is not part of the claimed design.

FIG. 7 is a perspective view of a second embodiment of a combined disc player and receiver showing my new design;

FIG. 8 is a top plan view thereof;

FIG. 9 is a left side elevational view thereof;

FIG. 10 is a rear elevational view thereof;

FIG. 11 is a front elevational view thereof;

FIG. 12 is a bottom plan view thereof;

FIG. 13 is a right side elevational view thereof; and,

FIG. 14 is a reference front elevational view thereof, wherein the front cover portion is in the opening position.

The remaining views of the combined disc player and receiver which are not visible in FIG. 14 form no part of the claimed design.

1 Claim, 6 Drawing Sheets

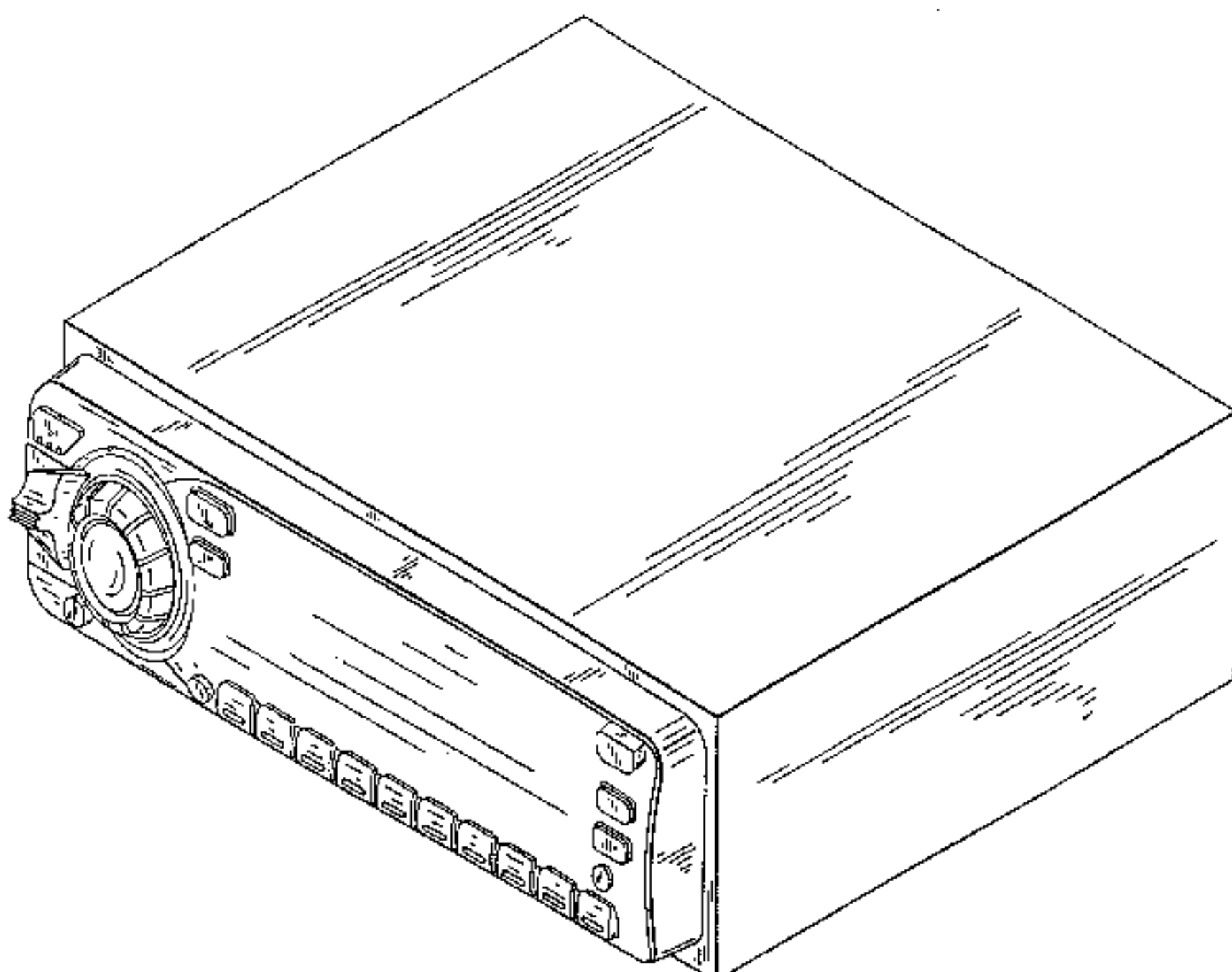
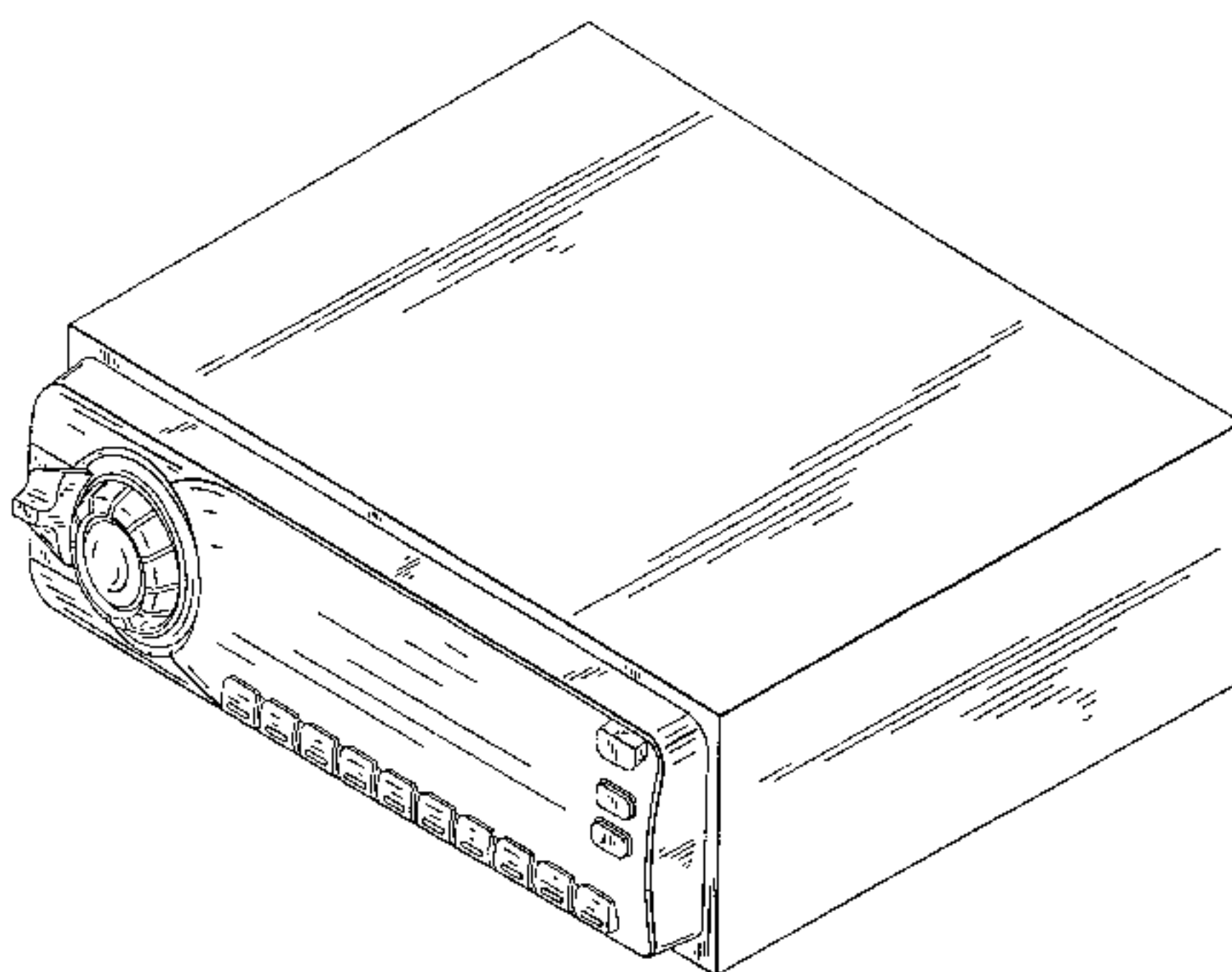


FIG. 1

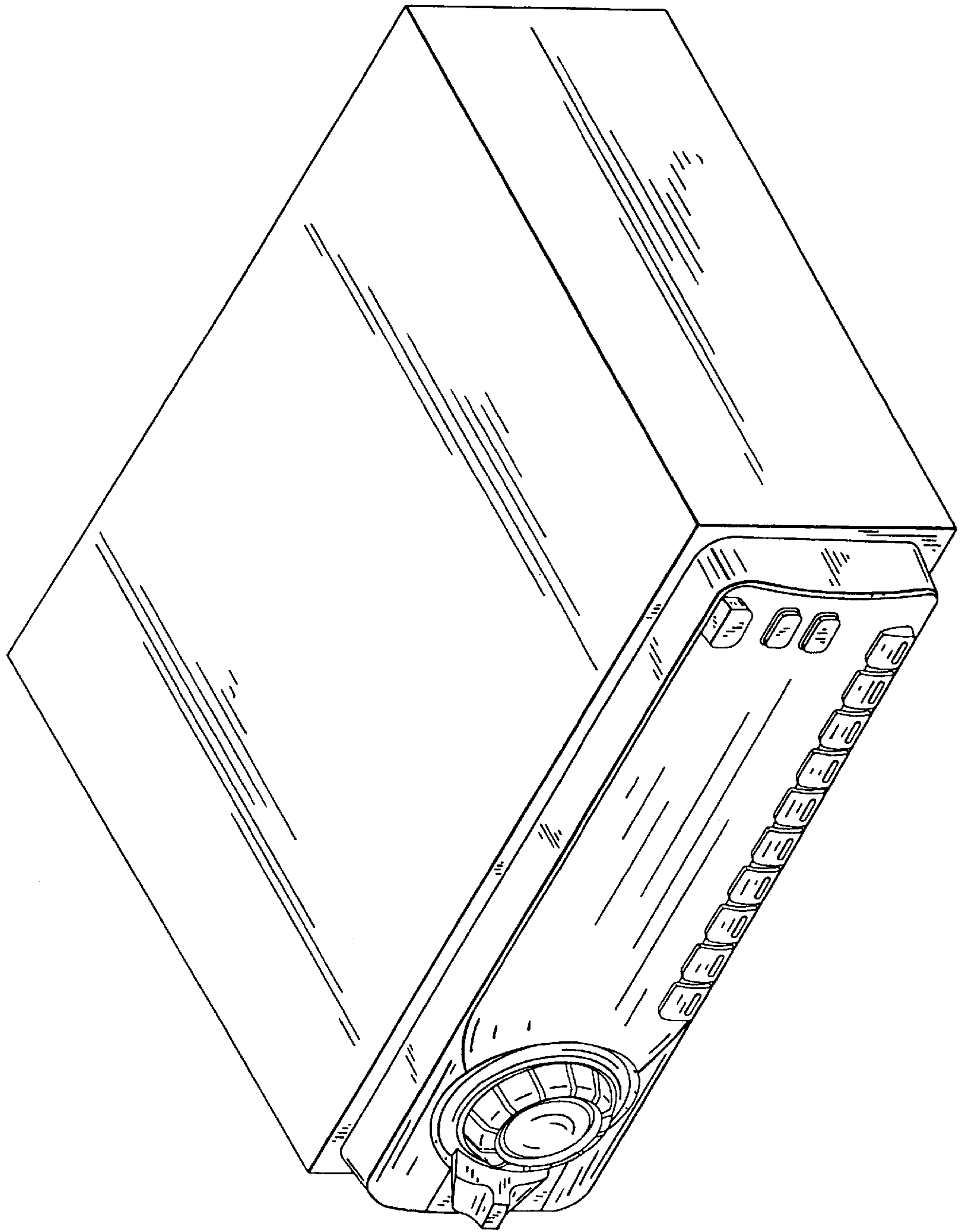


FIG. 2

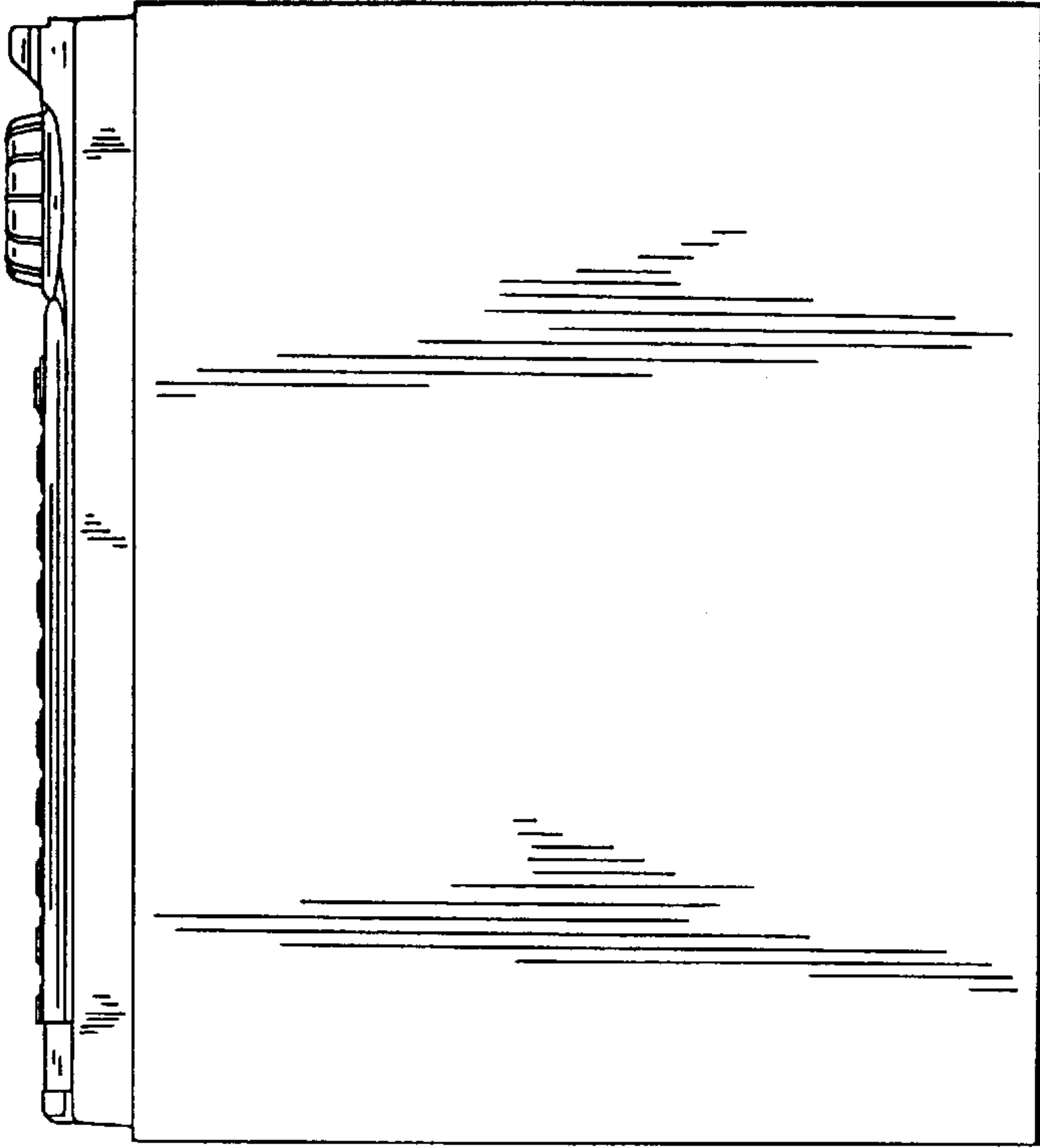


FIG. 3

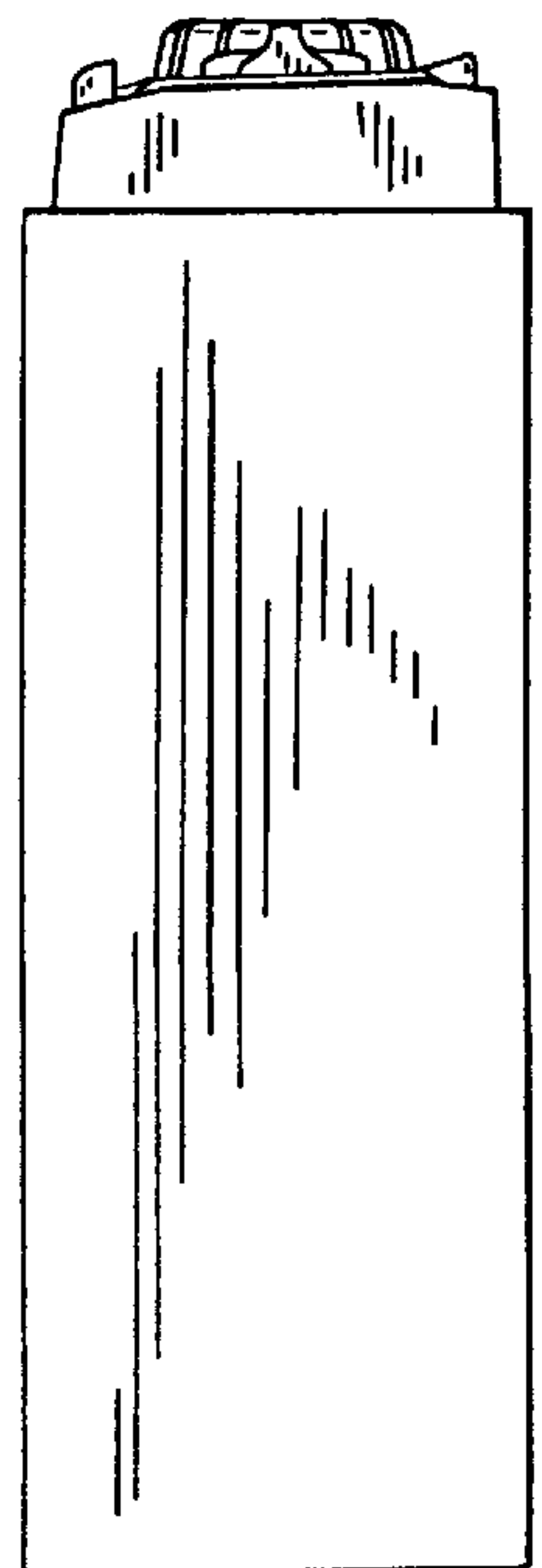


FIG. 4

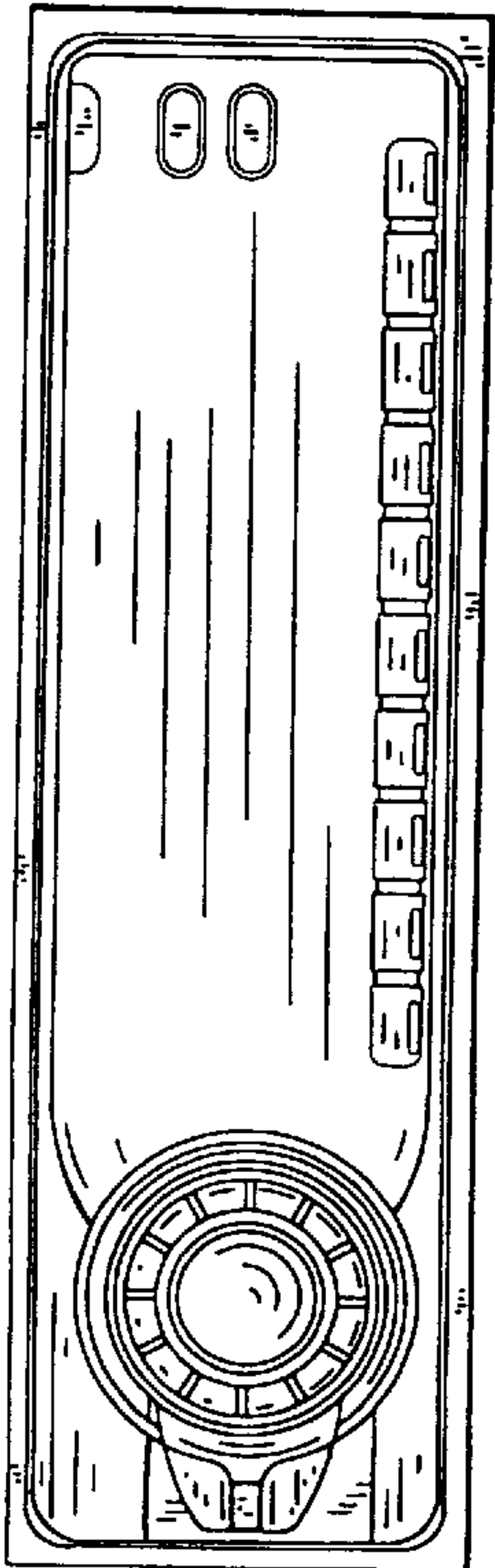


FIG. 6

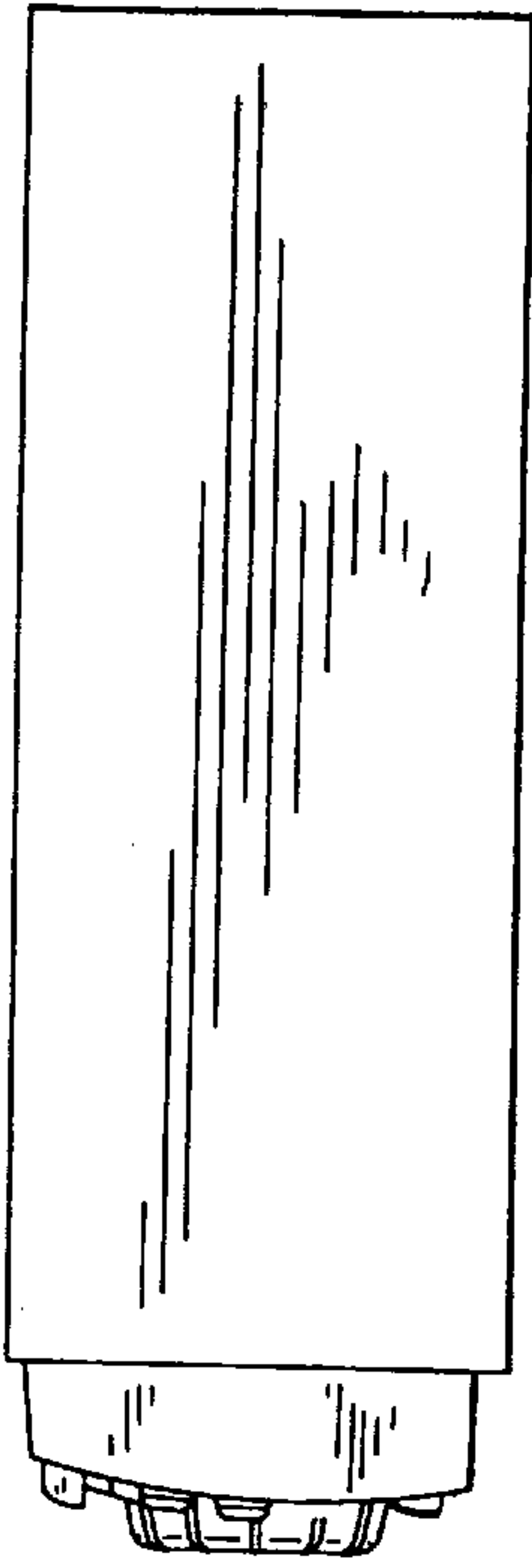


FIG. 5

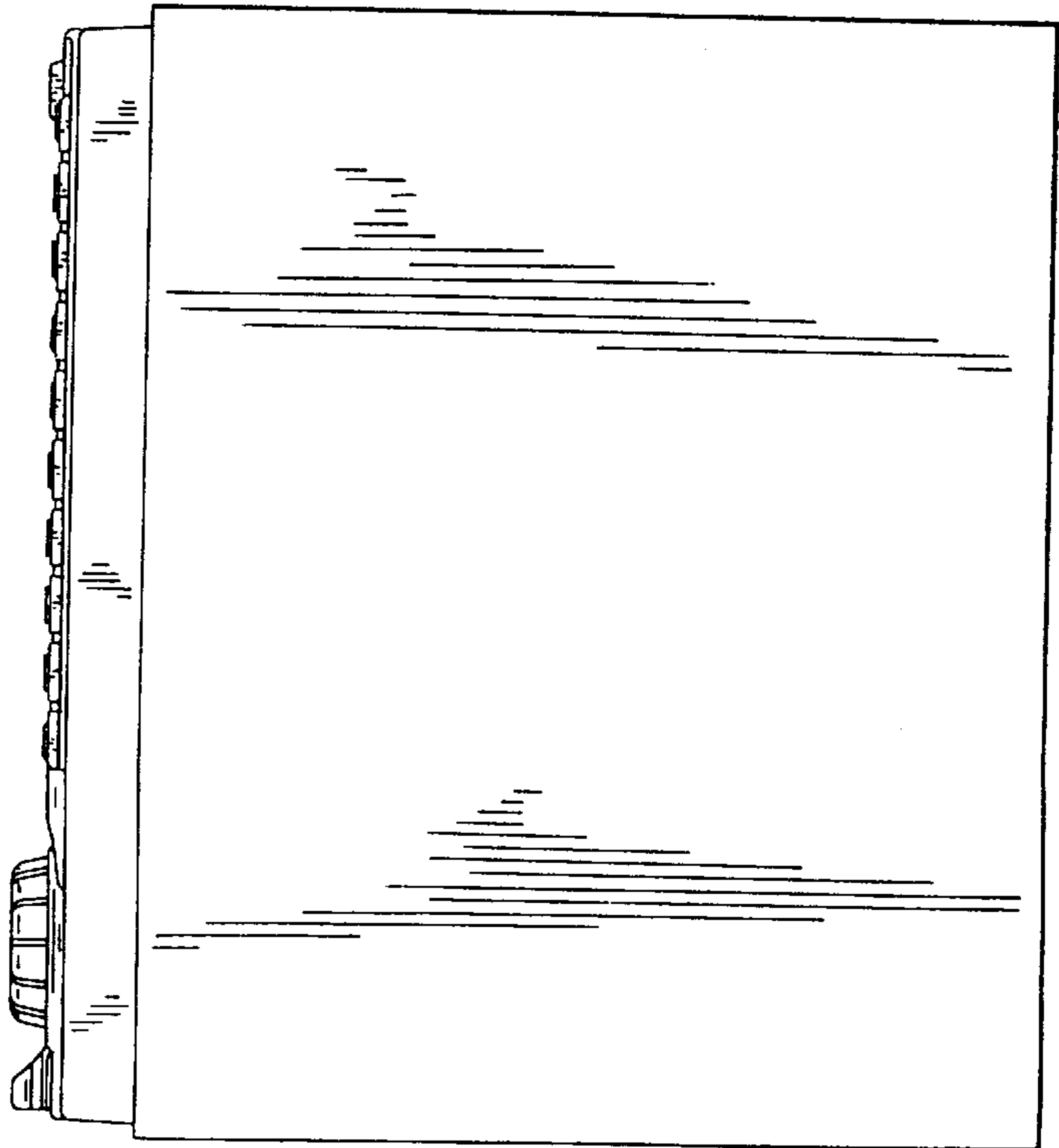


FIG. 7

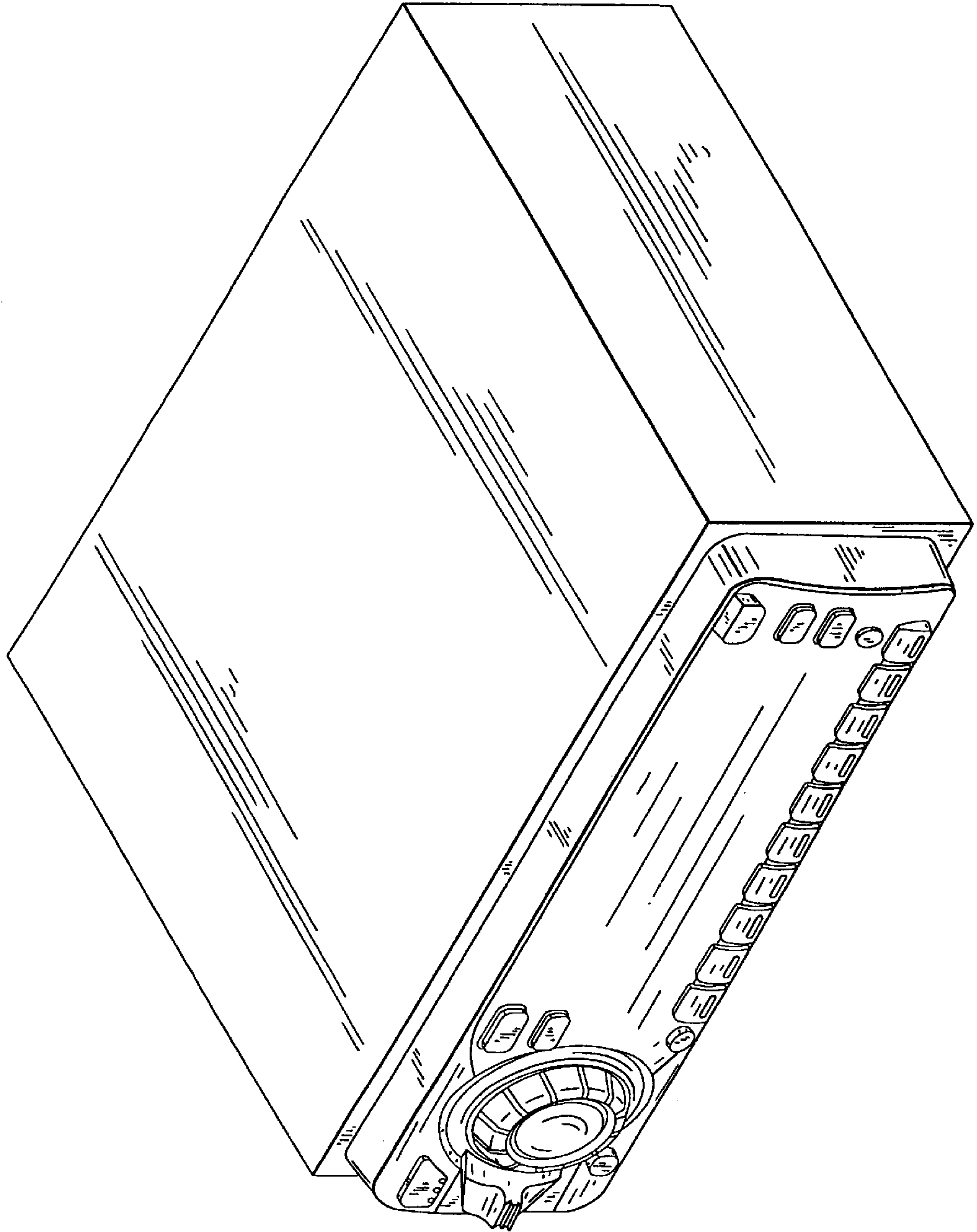


FIG. 8

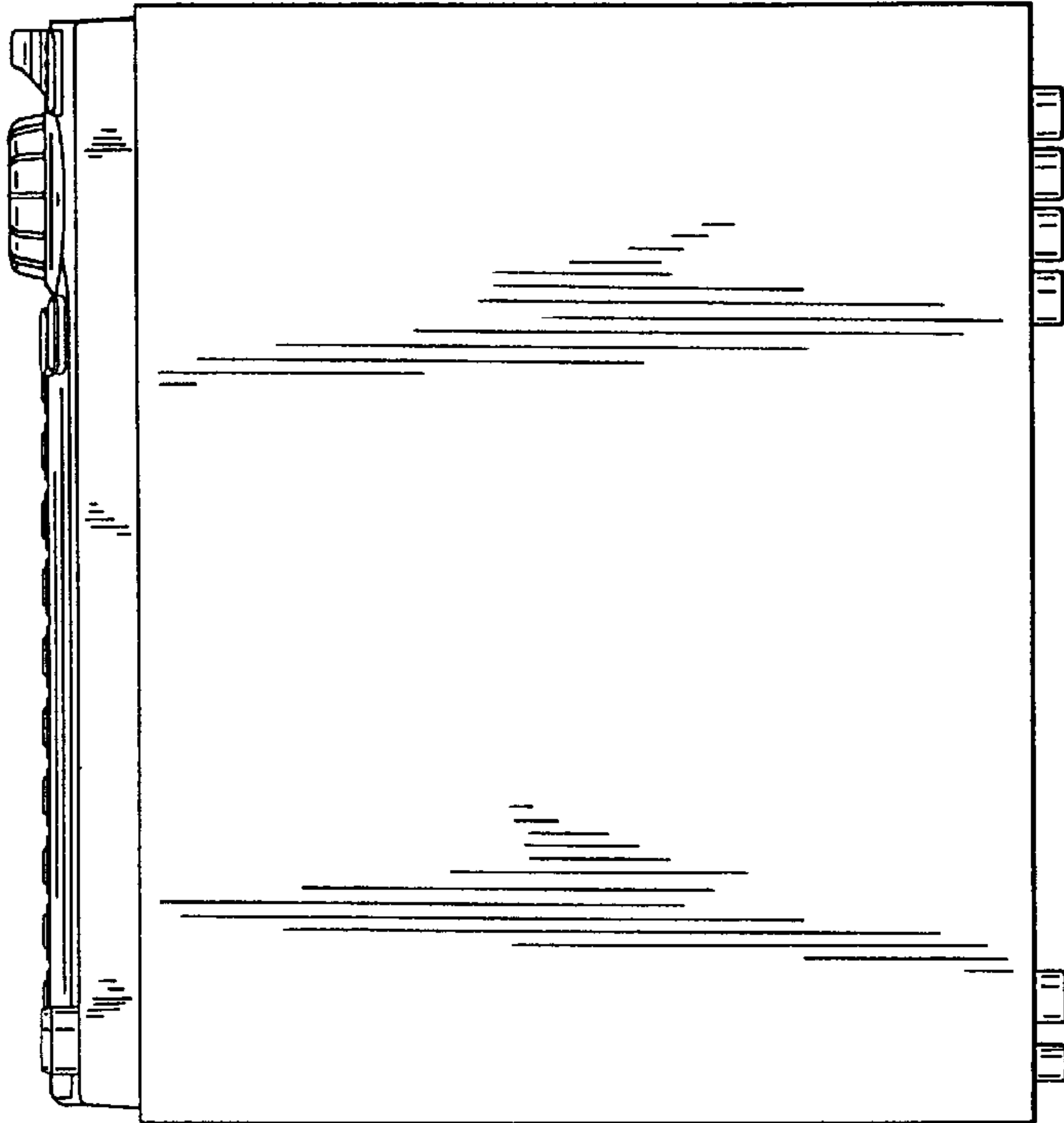


FIG. 10

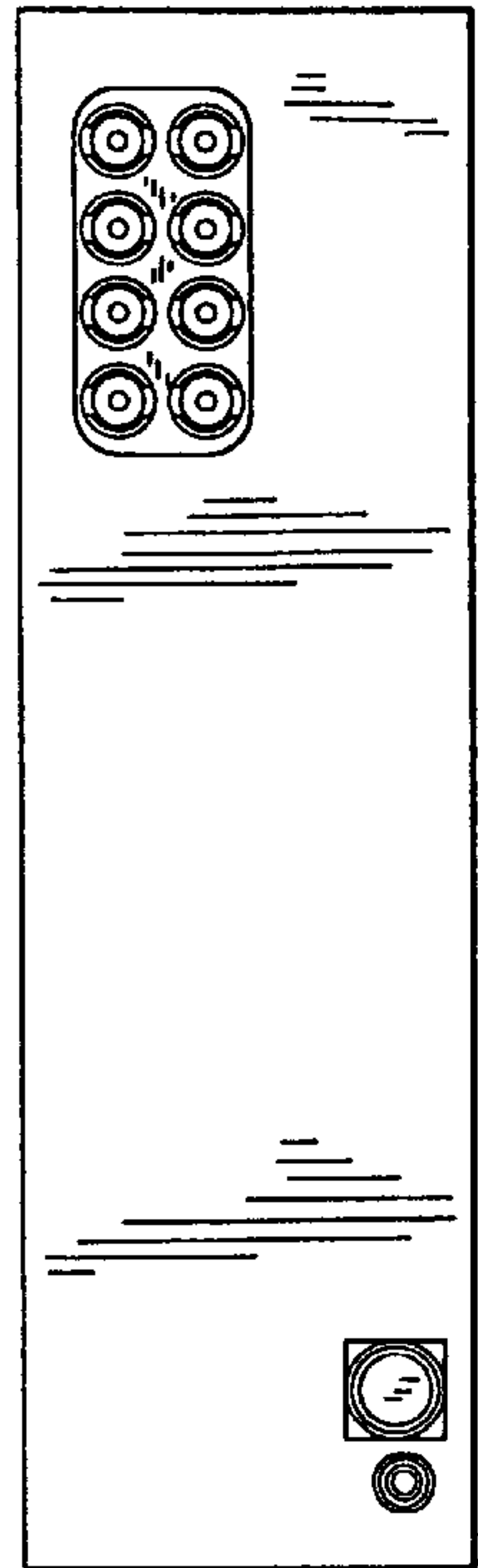


FIG. 9

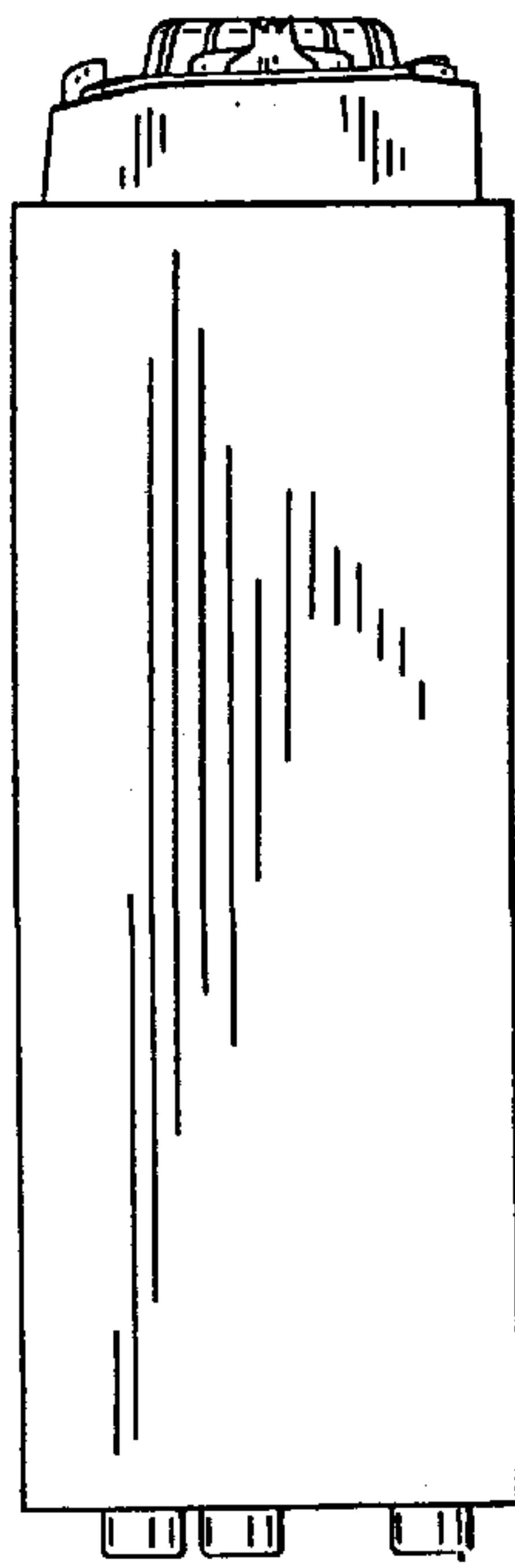


FIG. 13

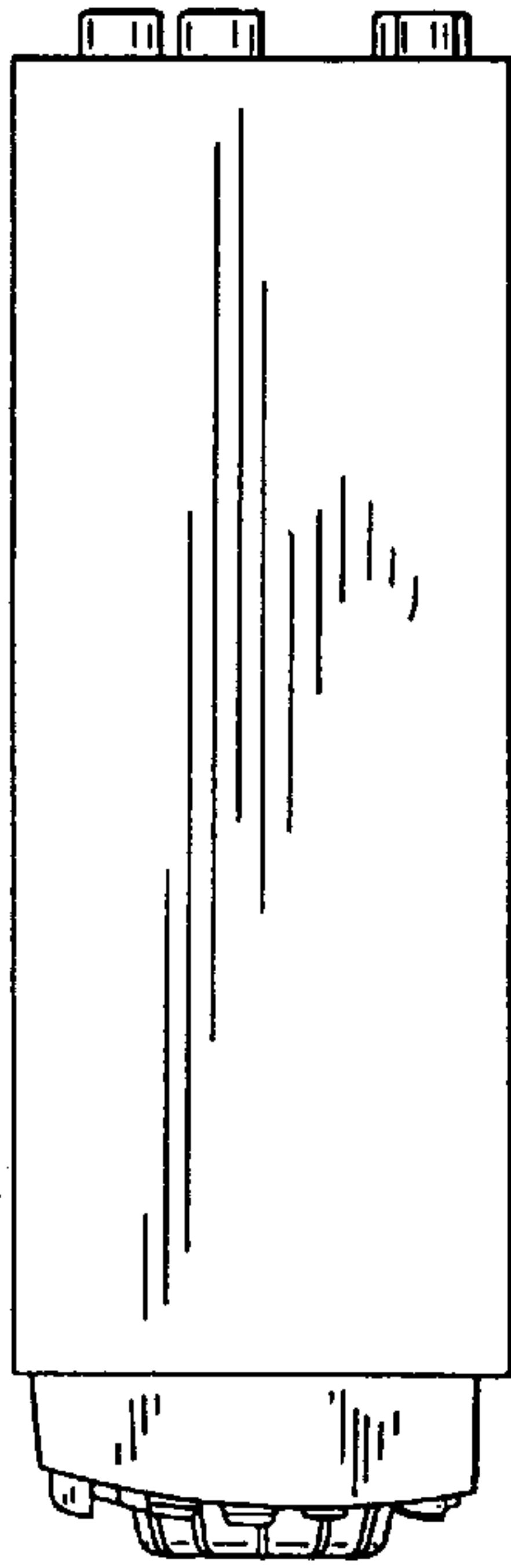


FIG. 14

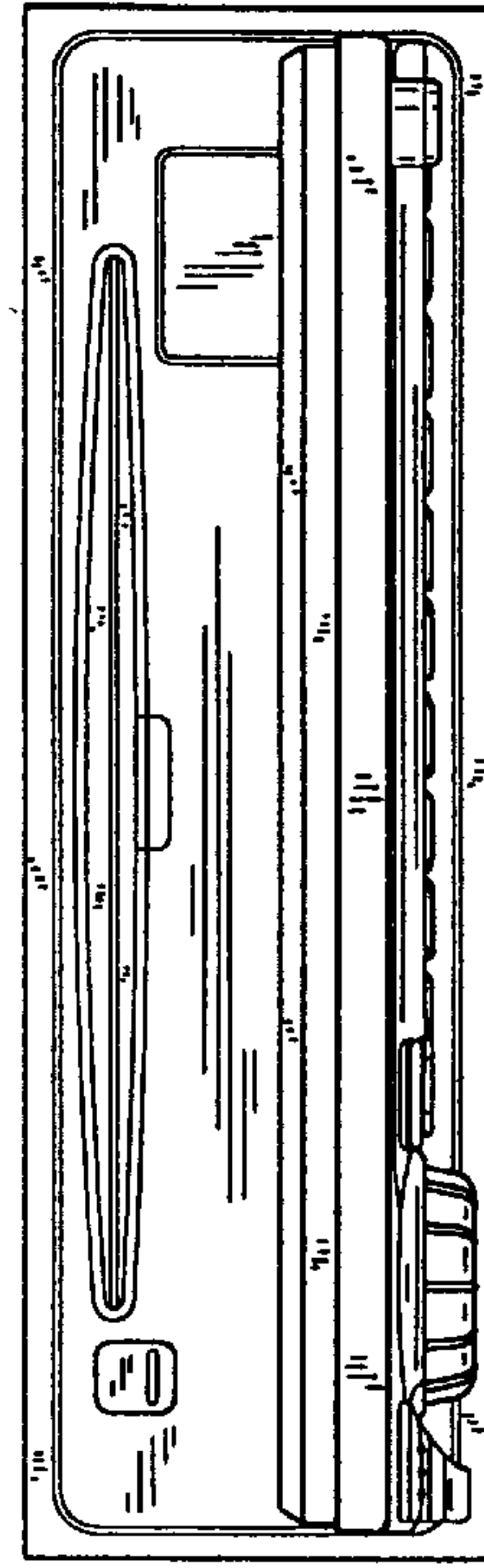


FIG. 11

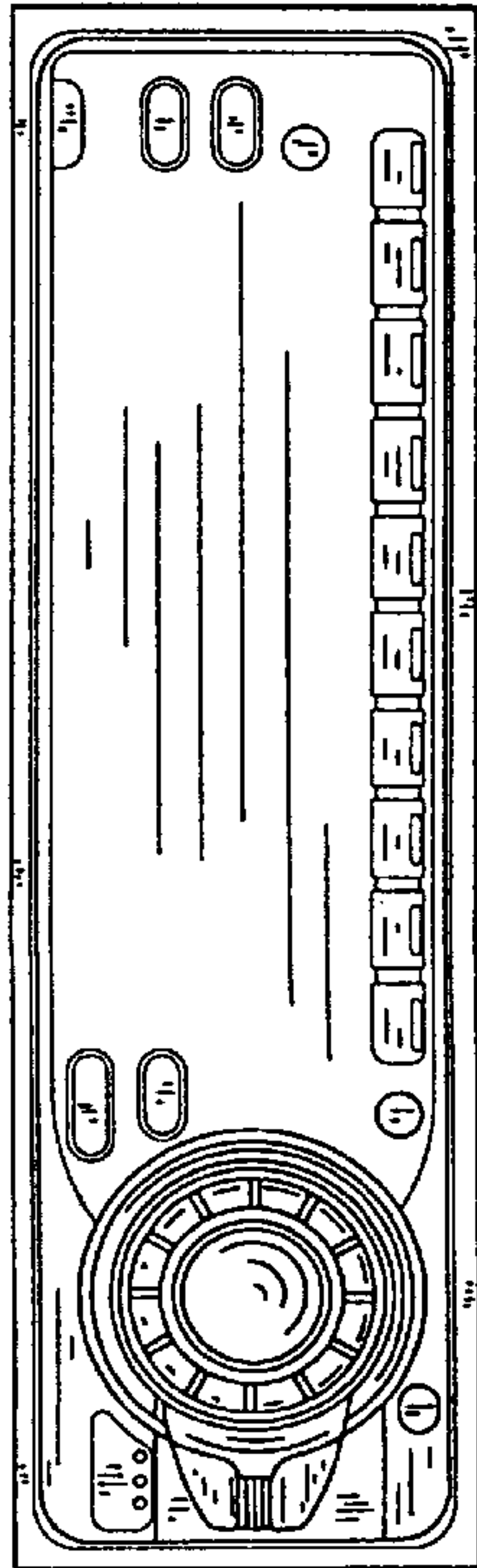


FIG. 12

