



US00D430125S

United States Patent [19]

[11] Patent Number: Des. 430,125

Larson et al.

[45] Date of Patent: ** Aug. 29, 2000

[54] **HANDHELD TWO WAY RADIO**

[75] Inventors: **Eric A. Larson**, Indianapolis; **Robert Utterback**, Plainfield, both of Ind.

[73] Assignee: **Zionsville Engineering, Inc.**, Zionsville, Ind.

[**] Term: **14 Years**

[21] Appl. No.: **29/114,833**

[22] Filed: **Dec. 2, 1999**

Related U.S. Application Data

[62] Division of application No. 29/103,807, Apr. 22, 1999.

[51] **LOC (7) Cl.** **14-03**

[52] **U.S. Cl.** **D14/137**

[58] **Field of Search** D14/137, 138, D14/140, 142, 218; D13/168, 164; 379/419, 420, 440, 433, 434, 428; 455/347-349, 90

[56] References Cited

U.S. PATENT DOCUMENTS

- D. 271,764 12/1983 Toth et al. D14/137
- D. 280,507 9/1985 Claxton D14/137
- D. 292,209 10/1987 Fuhrman D14/137

- D. 309,136 7/1990 Siddoway et al. D14/137
- D. 324,518 3/1992 Ichimura D14/137
- D. 325,907 5/1992 Dickson D14/137
- D. 340,927 11/1993 Goatman D14/137
- D. 348,664 7/1994 Imazeki D14/137
- D. 350,347 9/1994 Tracy et al. D14/137
- D. 383,457 9/1997 Yahaya D14/137
- D. 390,554 2/1998 Larson et al. D14/137
- D. 393,638 4/1998 Page et al. D14/137
- 5,265,264 11/1993 Dzung et al. 455/349 X

Primary Examiner—Jeffrey Asch
Attorney, Agent, or Firm—Woodard, Emhardt, Naughton, Moriarty & McNett

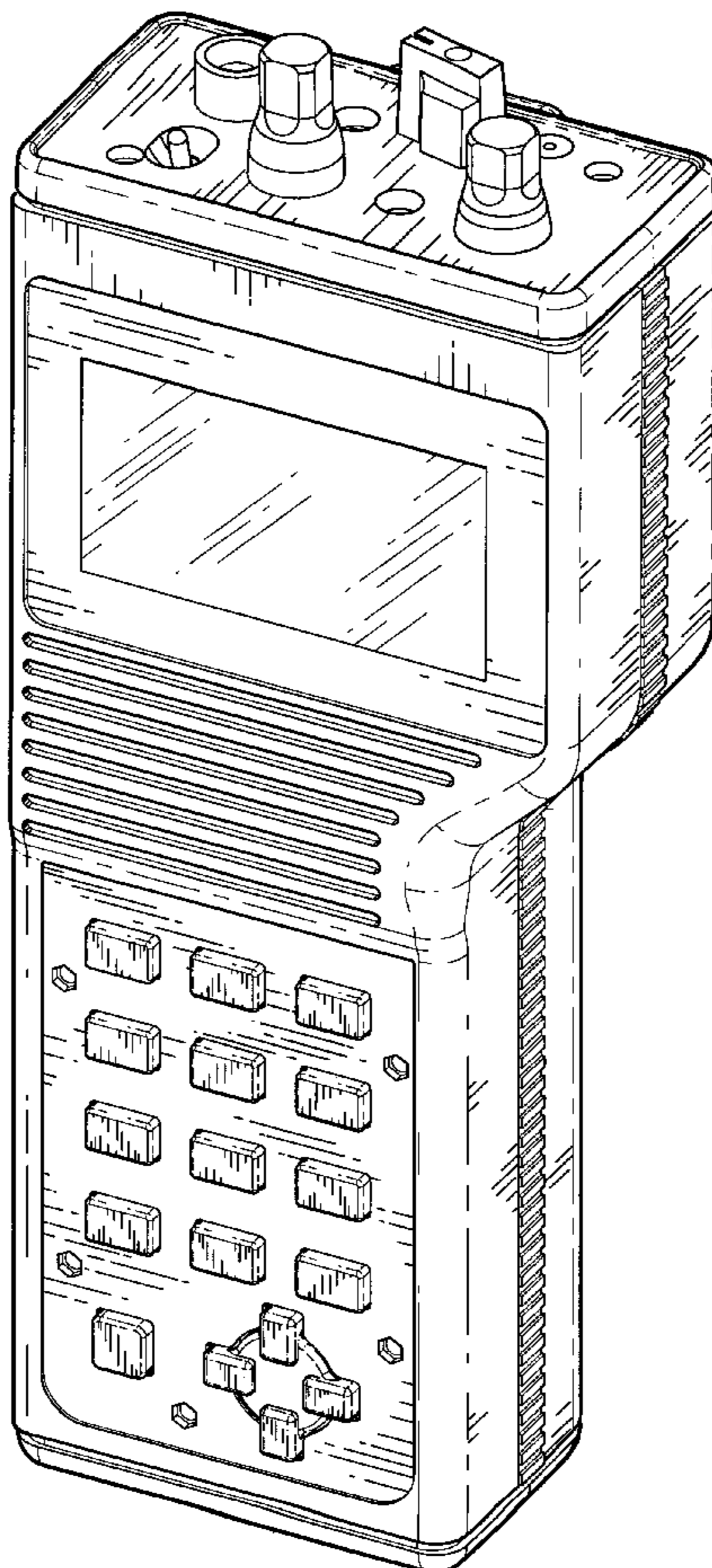
[57] CLAIM

The ornamental design for a handheld two way radio, as shown and described.

DESCRIPTION

FIG. 1 is a front perspective view of a handheld two way radio showing our new design;
FIG. 2 is a front elevational view thereof;
FIG. 3 is a left side elevational view thereof;
FIG. 4 is a right side elevational view thereof;
FIG. 5 is a rear elevational view thereof;
FIG. 6 is a top plan view thereof; and,
FIG. 7 is a bottom plan view thereof.

1 Claim, 5 Drawing Sheets



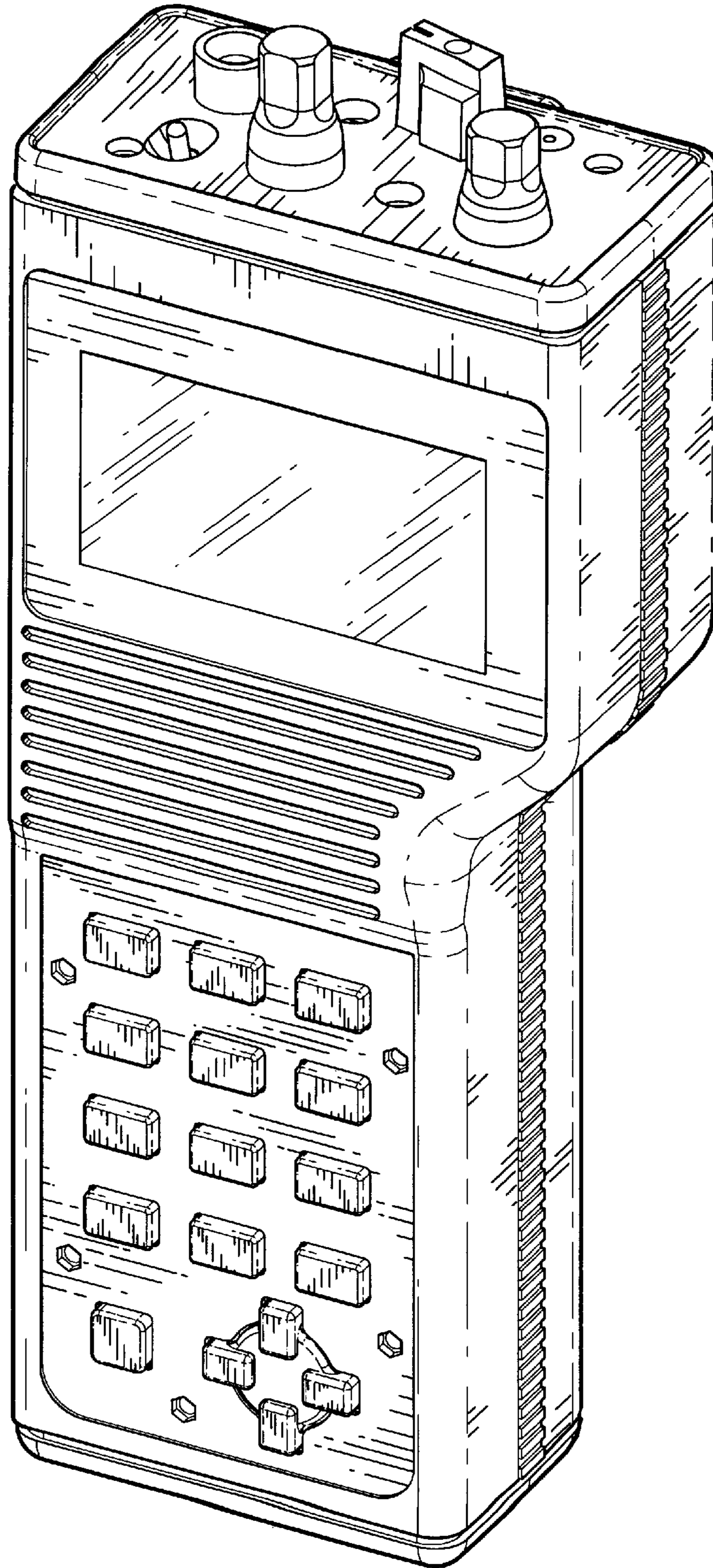


Fig. 1

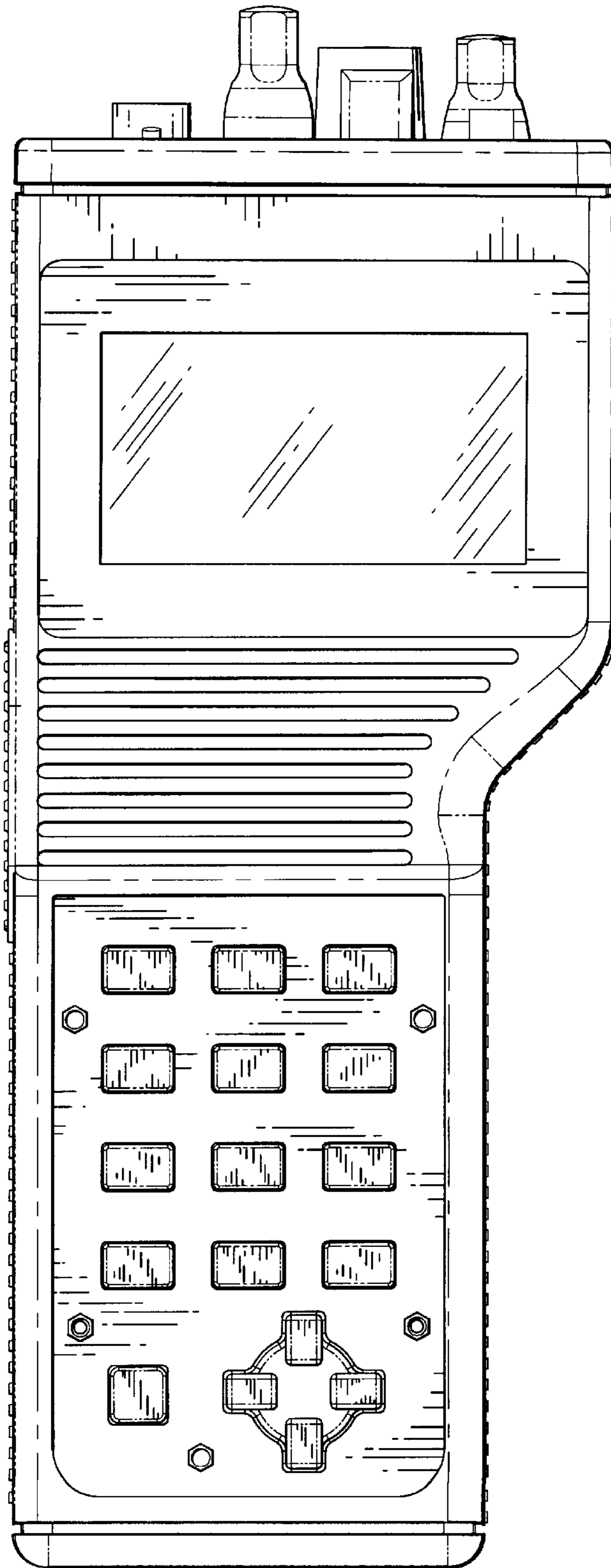


Fig. 2

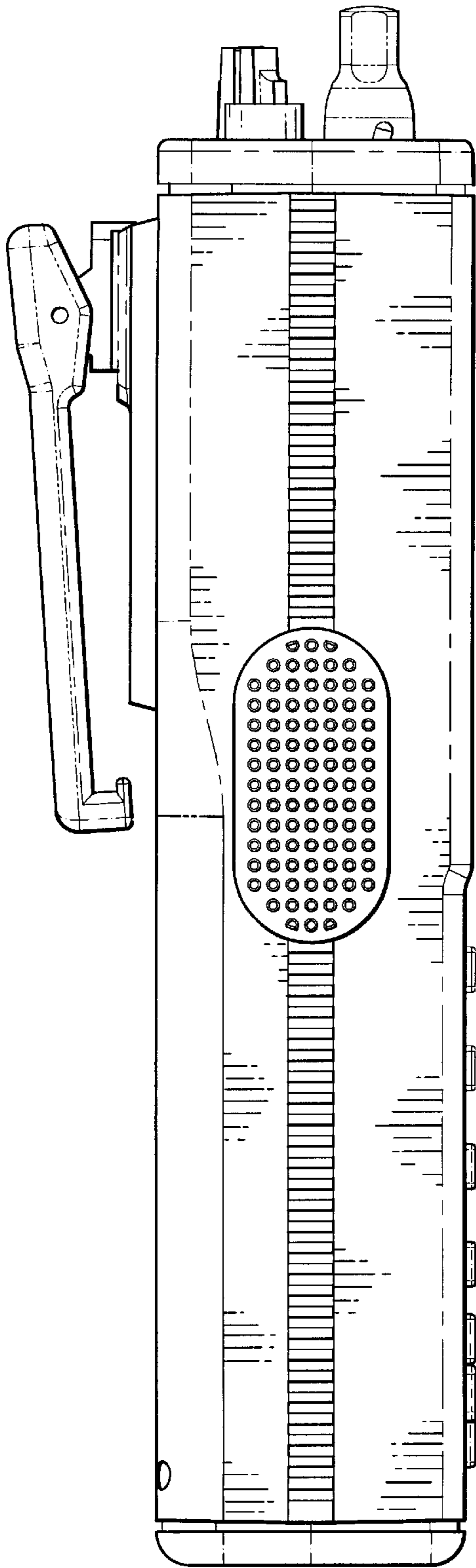


Fig. 3

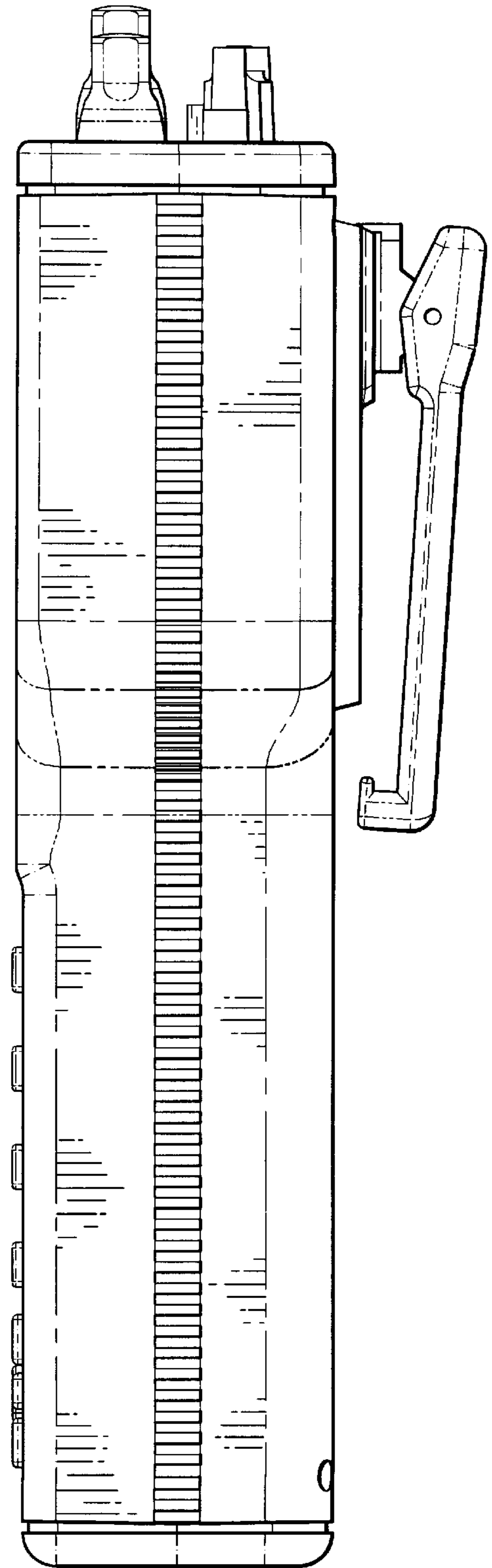


Fig. 4

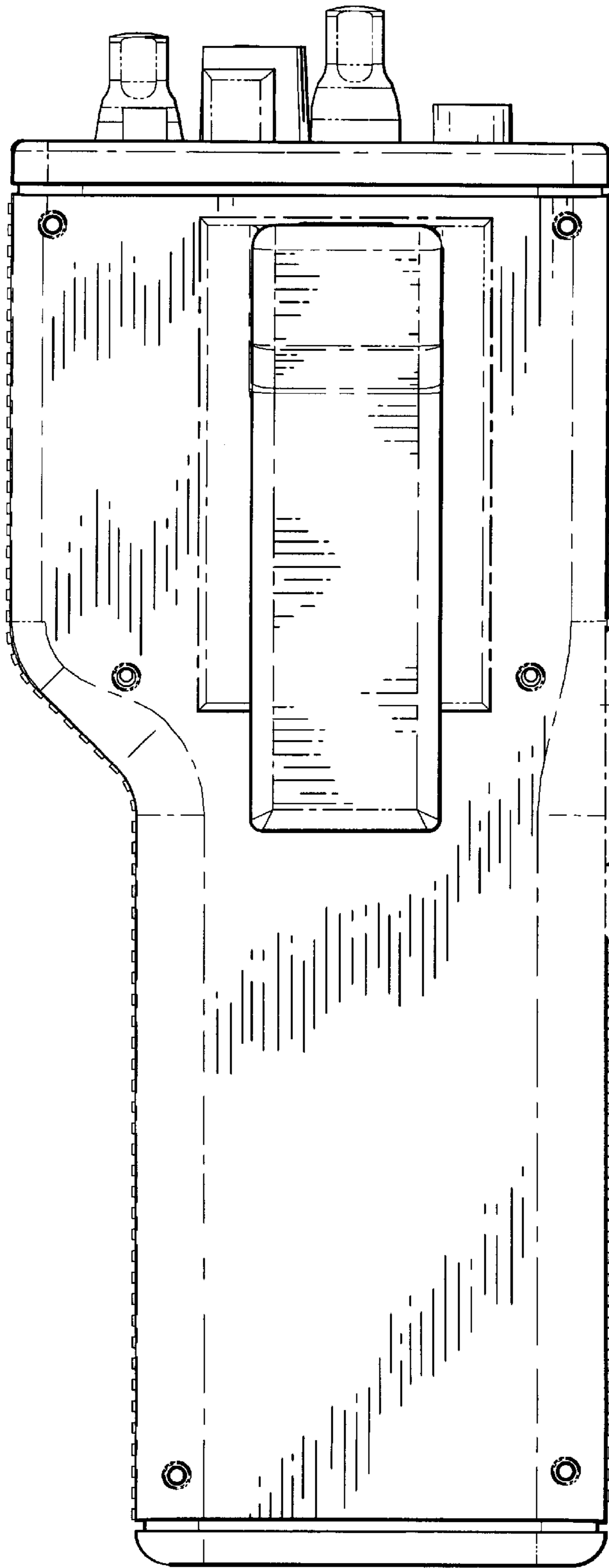


Fig. 5

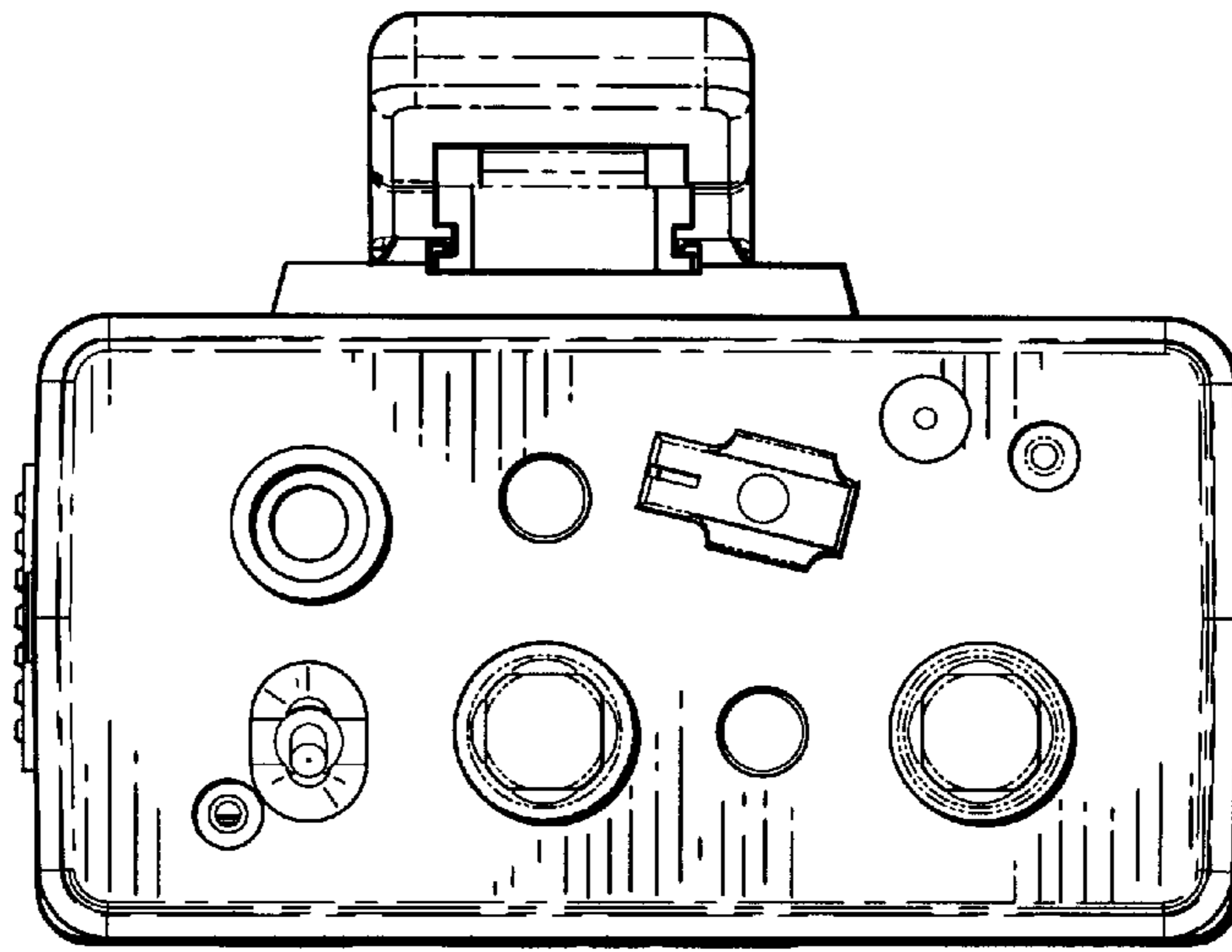


Fig. 6

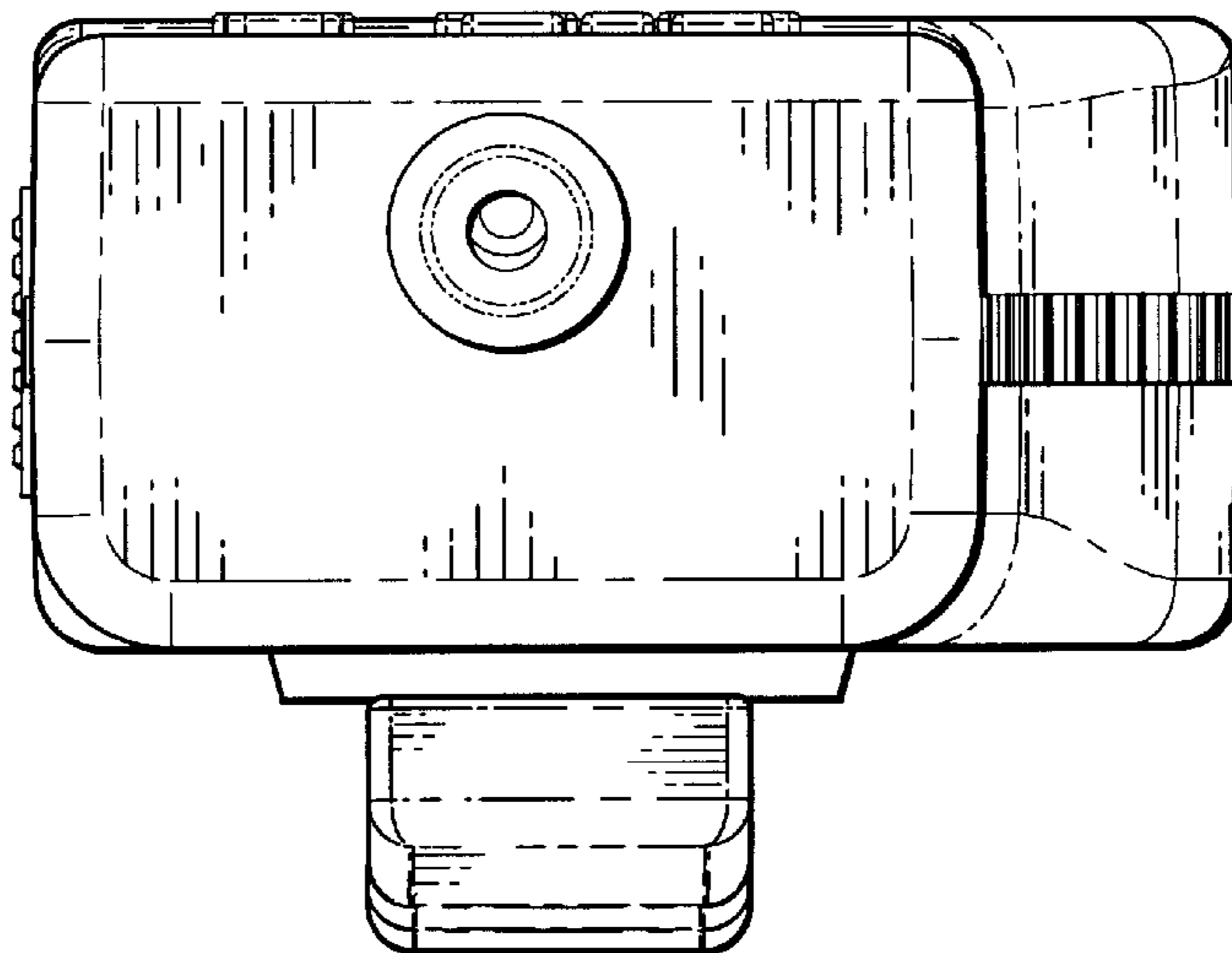


Fig. 7