



US00D430124S

United States Patent [19]
Niitsu

[11] **Patent Number: Des. 430,124**

[45] **Date of Patent: ** Aug. 29, 2000**

[54] **DISC RECORDER**

[75] Inventor: **Takuya Niitsu**, Tokyo, Japan

[73] Assignee: **Sony Corporation**, Japan

[**] Term: **14 Years**

[21] Appl. No.: **29/078,210**

[22] Filed: **Oct. 21, 1997**

[51] **LOC (7) Cl.** **14-01**

[52] **U.S. Cl.** **D14/136**

[58] **Field of Search** D14/124, 125,
D14/135, 136, 156, 160, 239; 386/125,
126; 369/75.1, 77.1

[56] **References Cited**

U.S. PATENT DOCUMENTS

D. 329,452 9/1992 Komada et al. D14/135 X
D. 372,712 8/1996 Starck D14/135
D. 390,227 2/1998 Uchiyama D14/156

OTHER PUBLICATIONS

Sony Catalog, vol. 84, pp. 126, Nov. 1996.

Primary Examiner—Richelle Shelton

Attorney, Agent, or Firm—Rader, Fishman & Grauer

[57] **CLAIM**

The ornamental design for a disc recorder, as shown and described.

DESCRIPTION

FIG. 1 is a perspective view of a first embodiment of a disc recorder showing my new design;

FIG. 2 is a top plan view thereof;

FIG. 3 is a left side elevational view thereof;

FIG. 4 is a front elevational view thereof;

FIG. 5 is a bottom plan view thereof;

FIG. 6 is a right side elevational view thereof;

FIG. 7 is a rear elevational view thereof;

FIG. 8 is a top plan view of a second embodiment of a disc recorder showing my new design;

FIG. 9 is a left side elevational view thereof;

FIG. 10 is a front elevational view thereof;

FIG. 11 is a bottom plan view thereof;

FIG. 12 is a right side elevational view thereof; and,

FIG. 13 is a rear elevational view thereof.

Perspective view of the second embodiment is the same as that of the first embodiment.

1 Claim, 5 Drawing Sheets

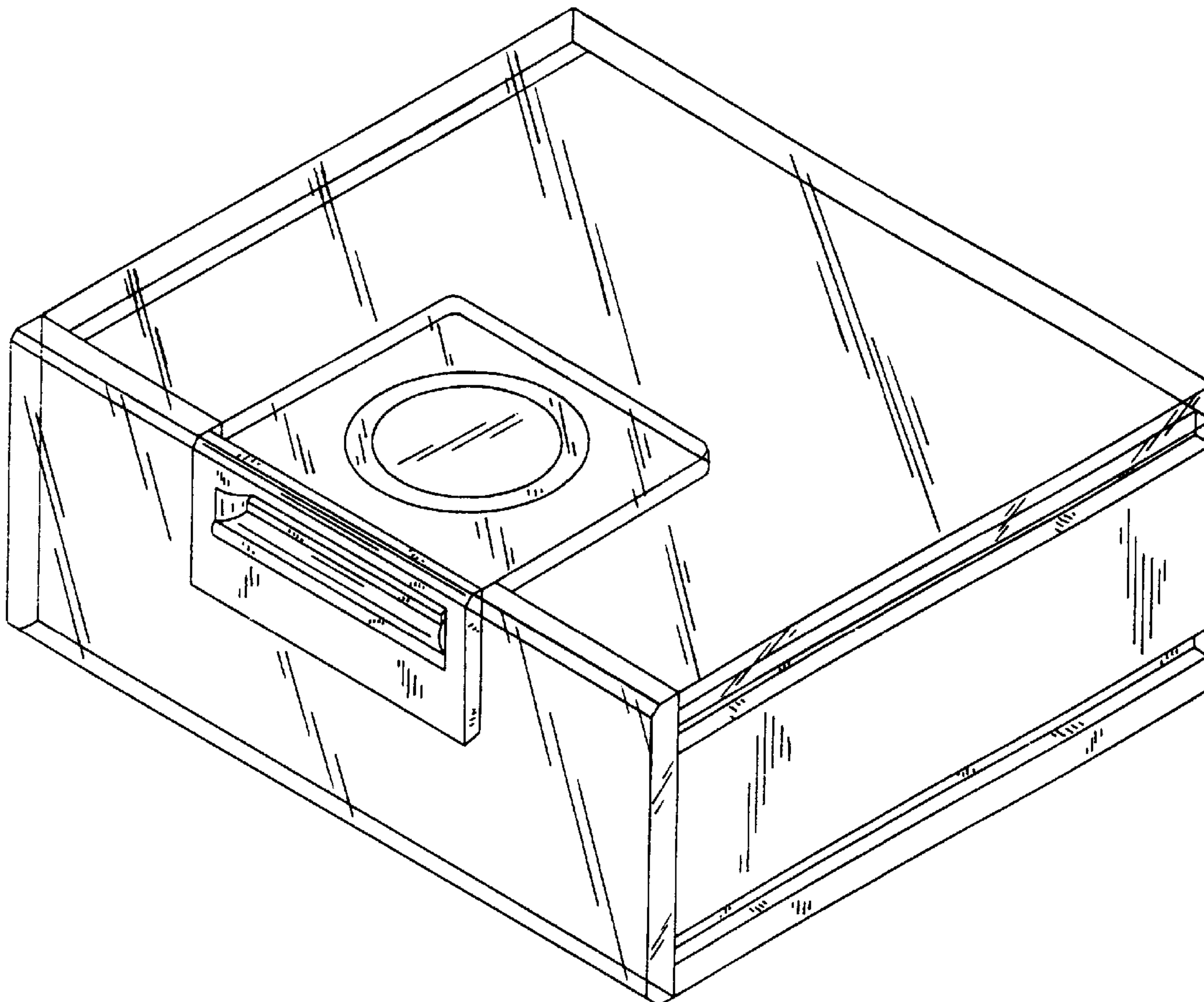


FIG. 1

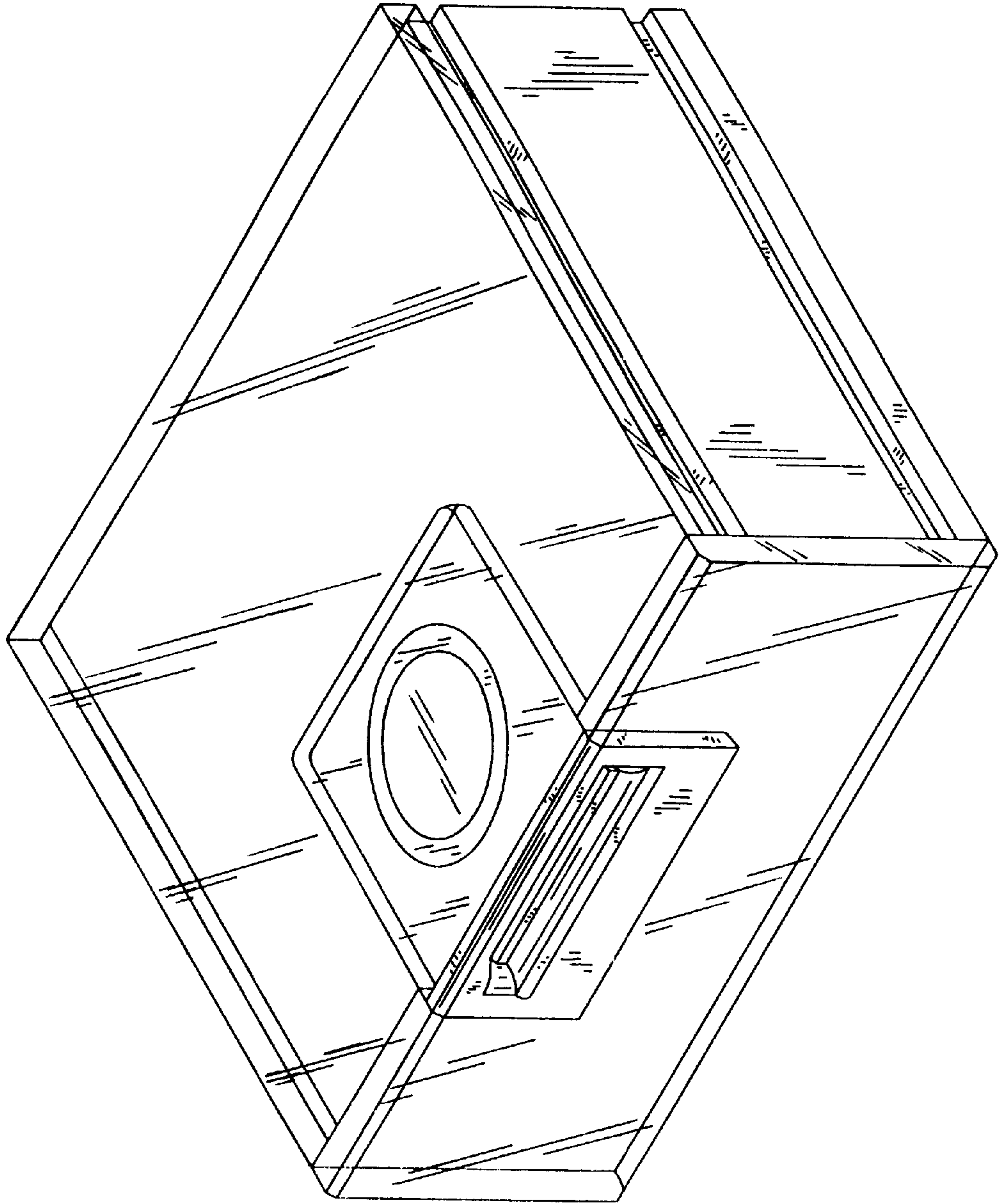


FIG. 2

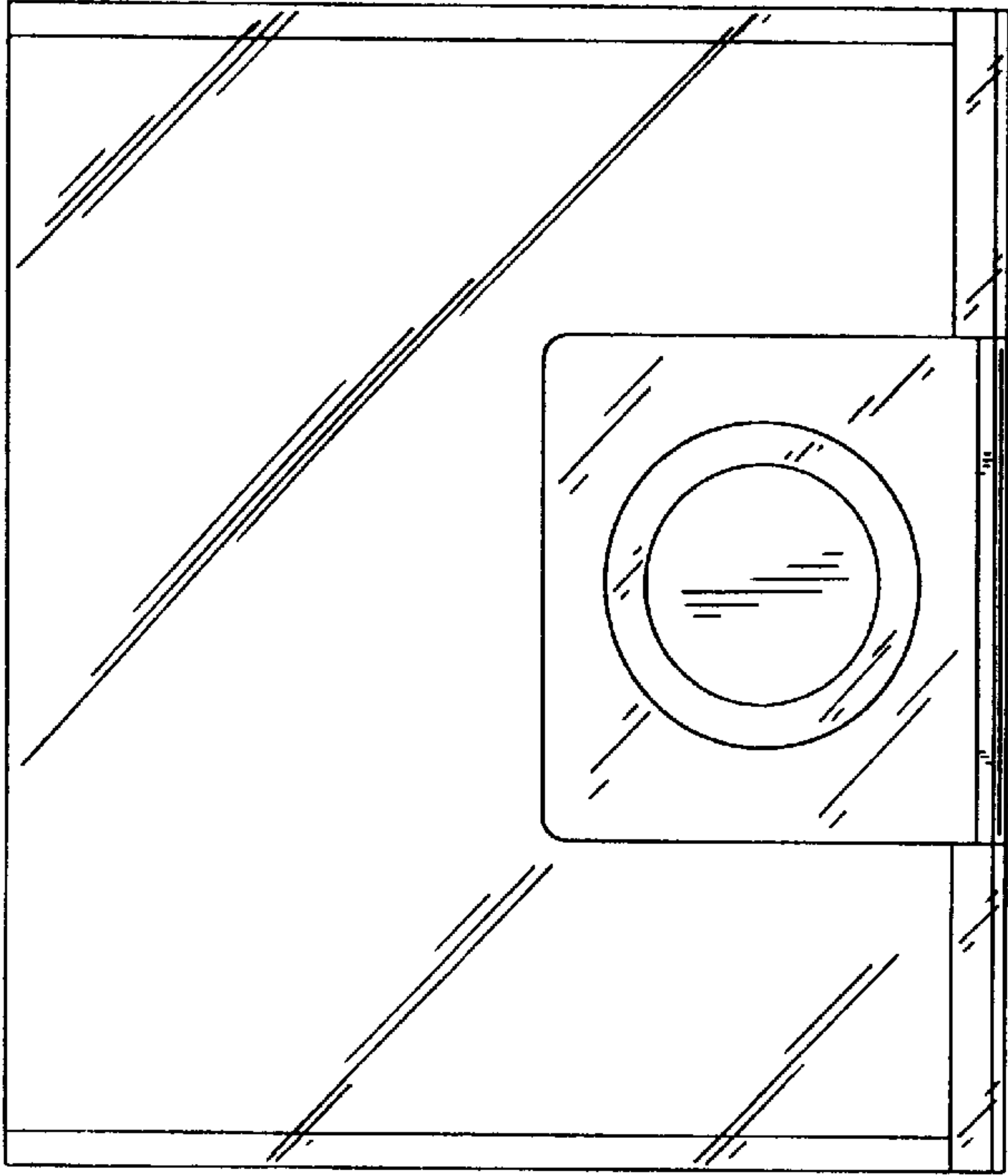


FIG. 4

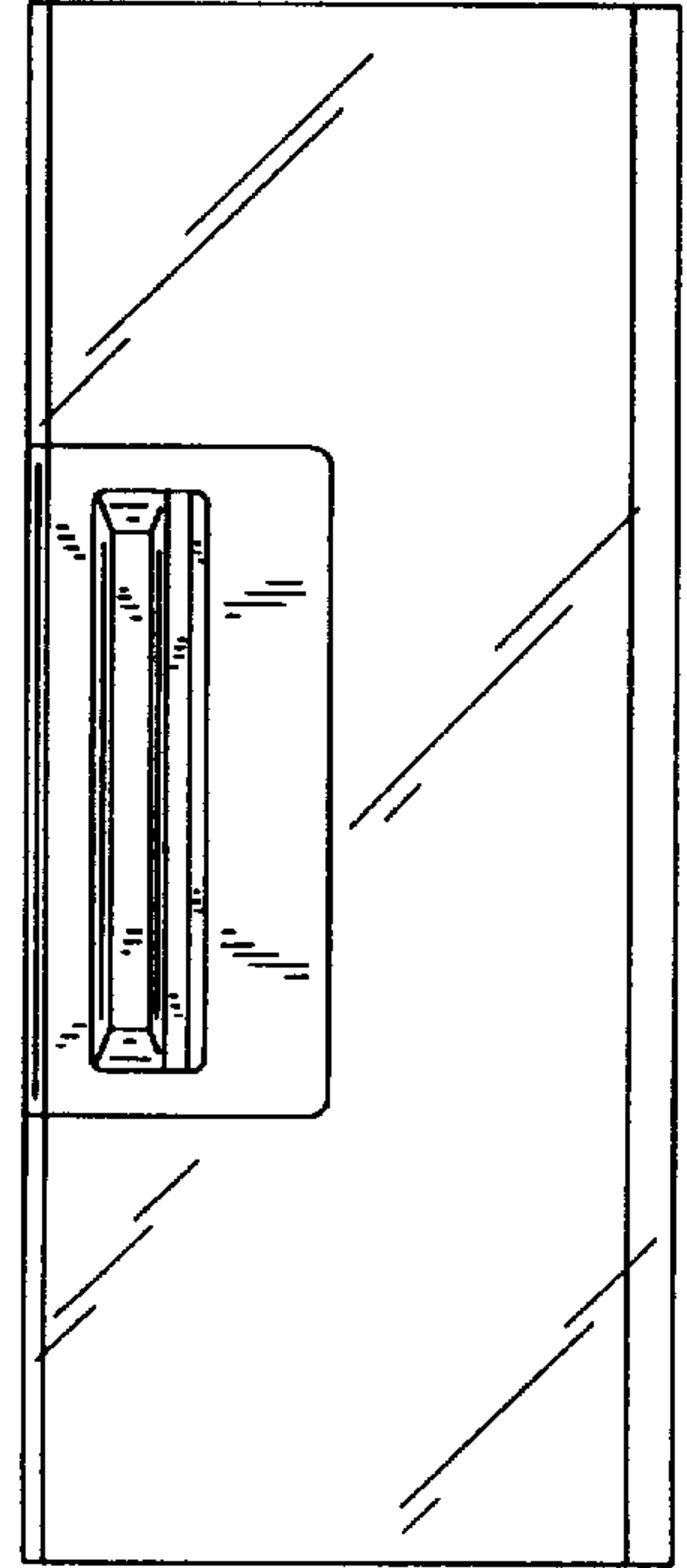


FIG. 3

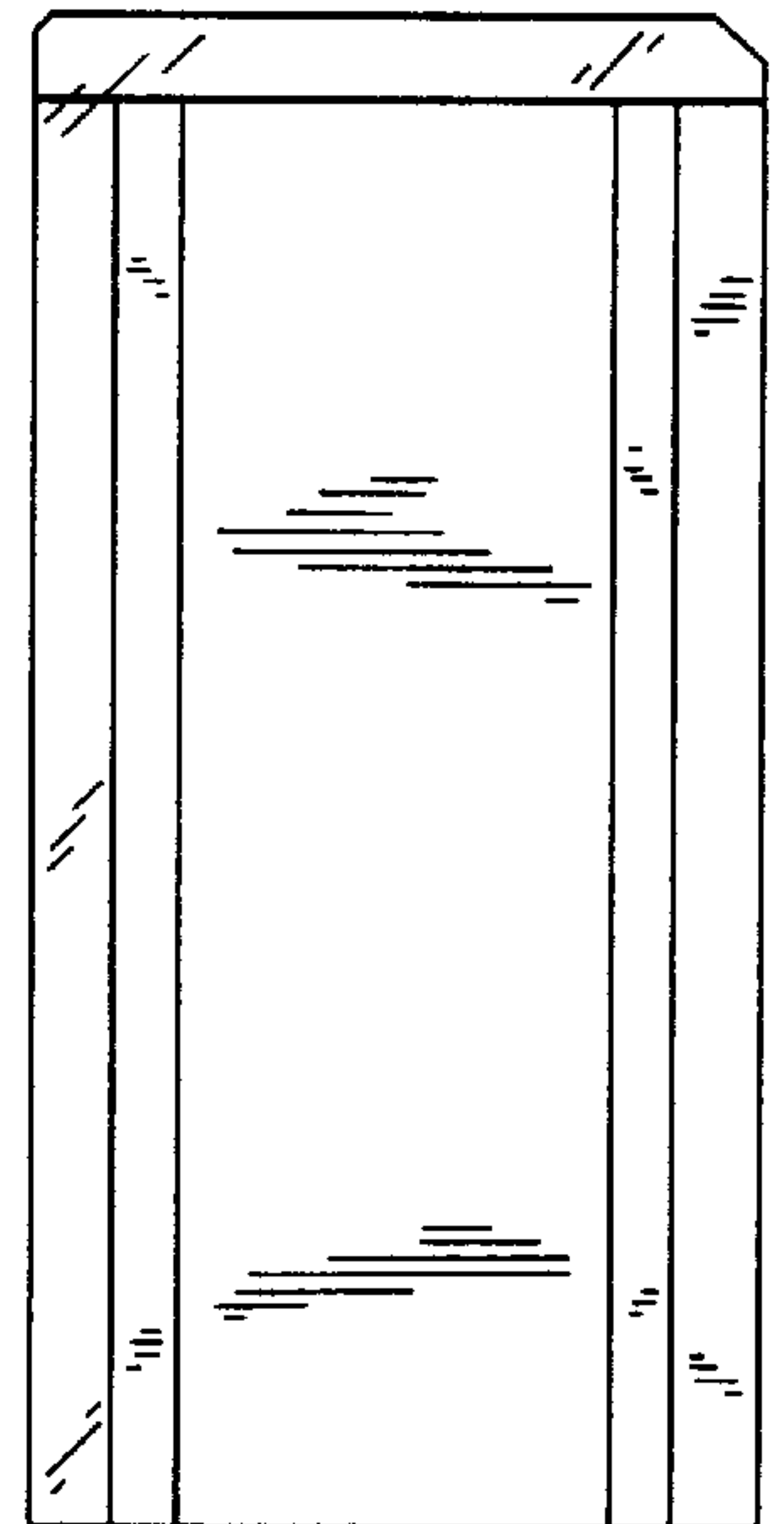


FIG. 7

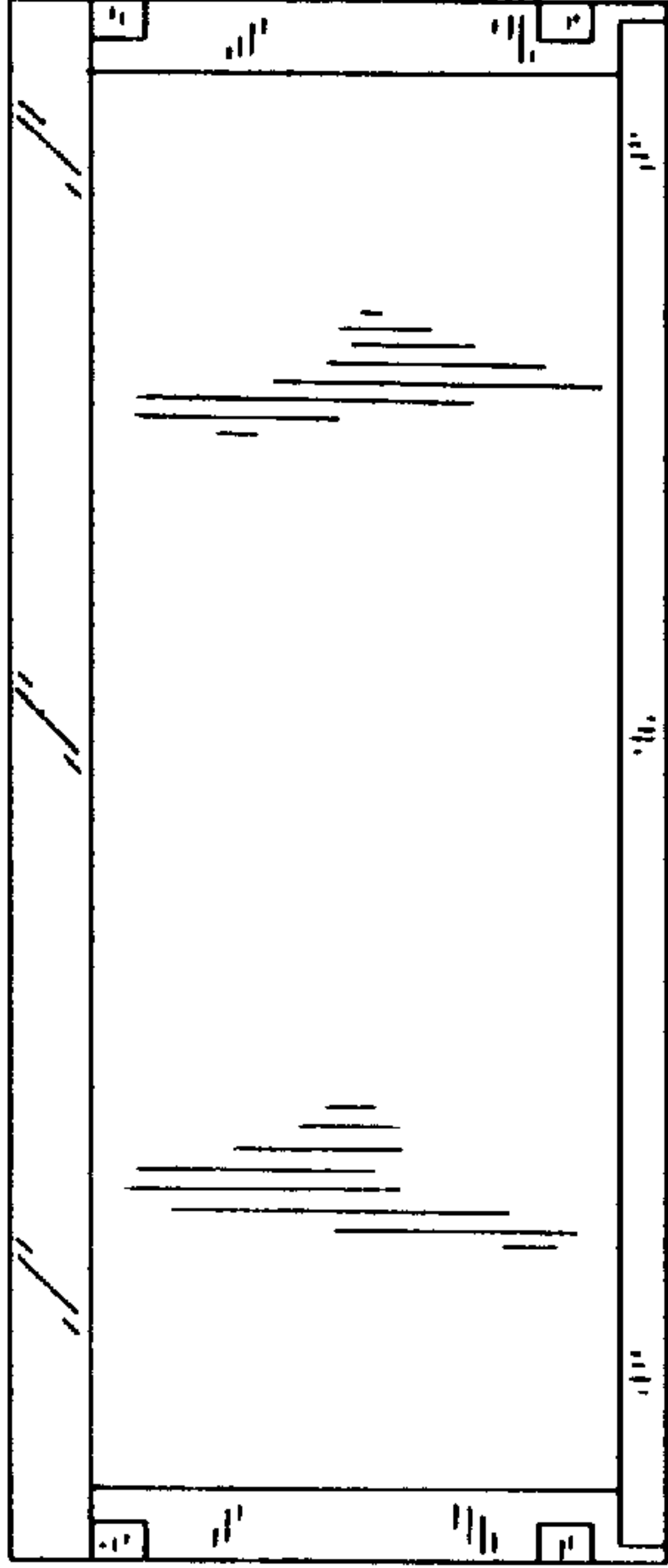


FIG. 5

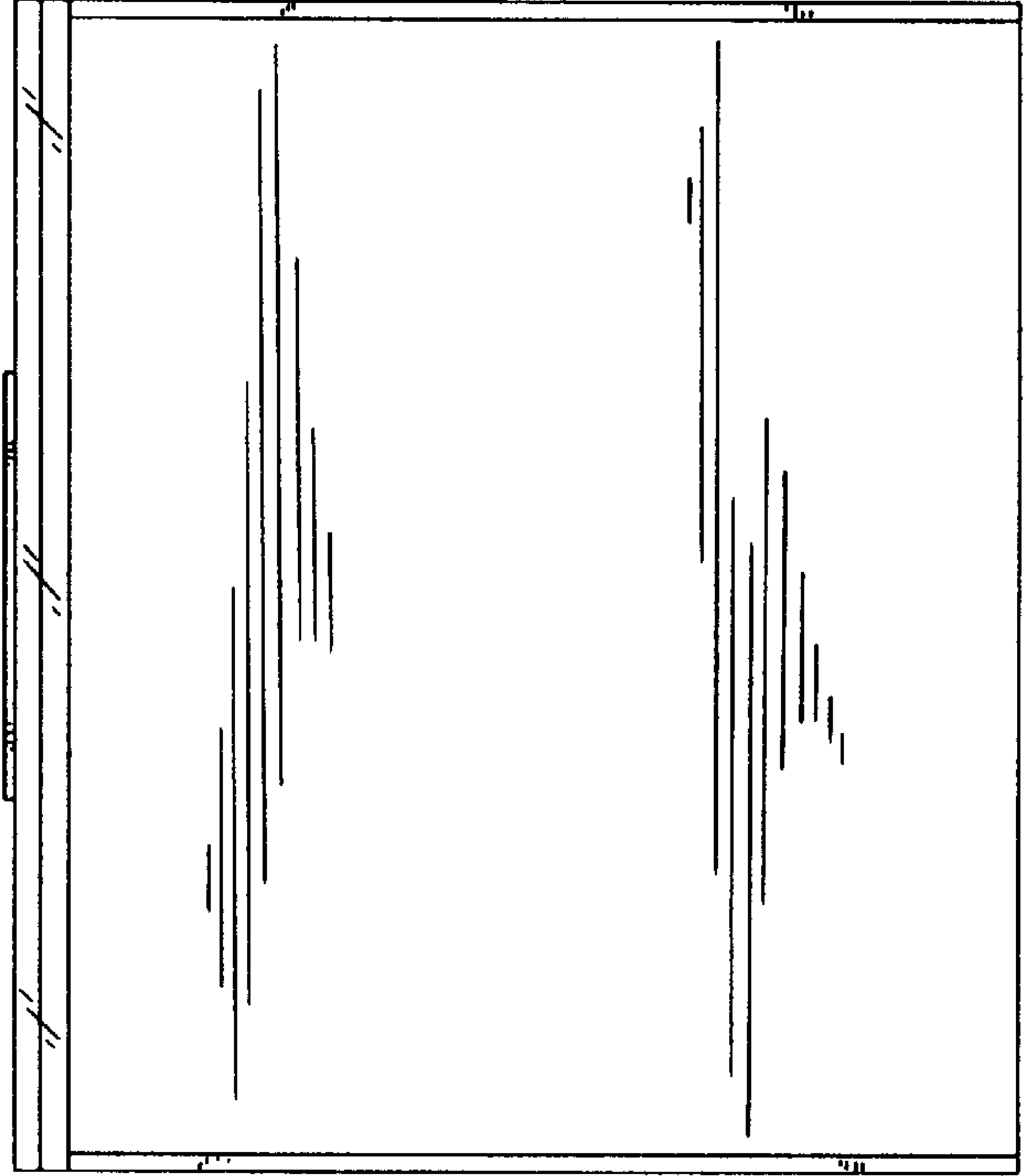


FIG. 6

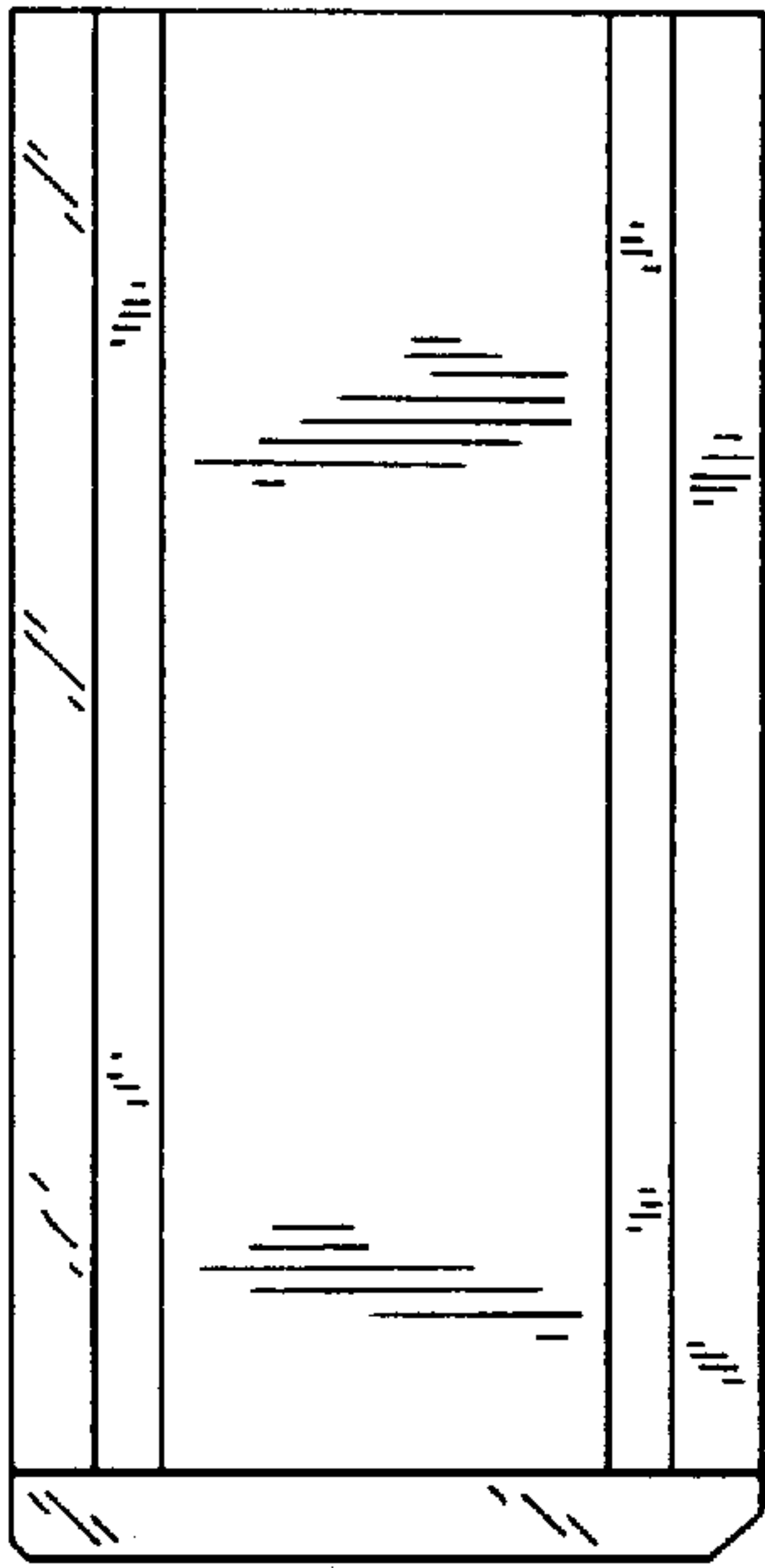


FIG. 8

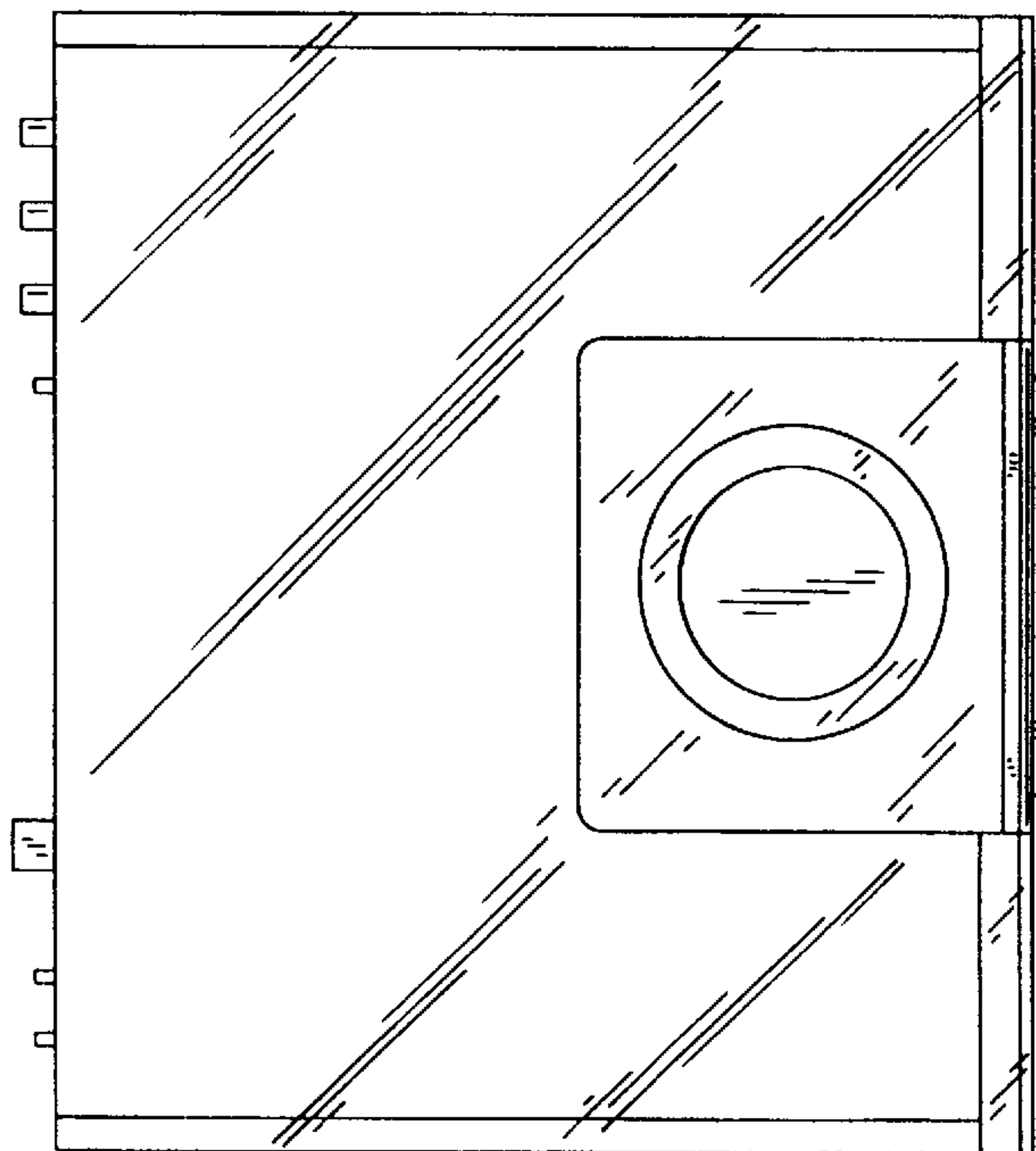


FIG. 10

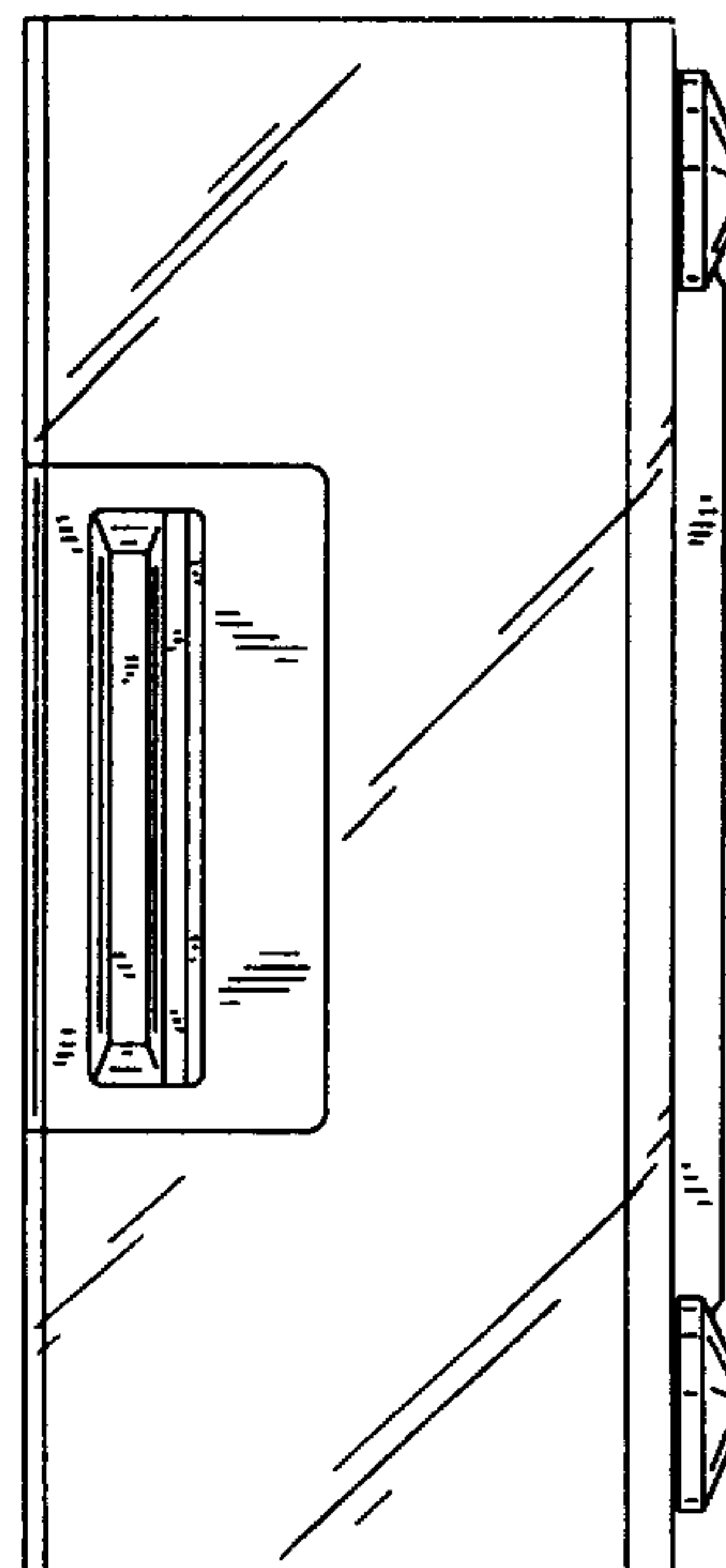


FIG. 9

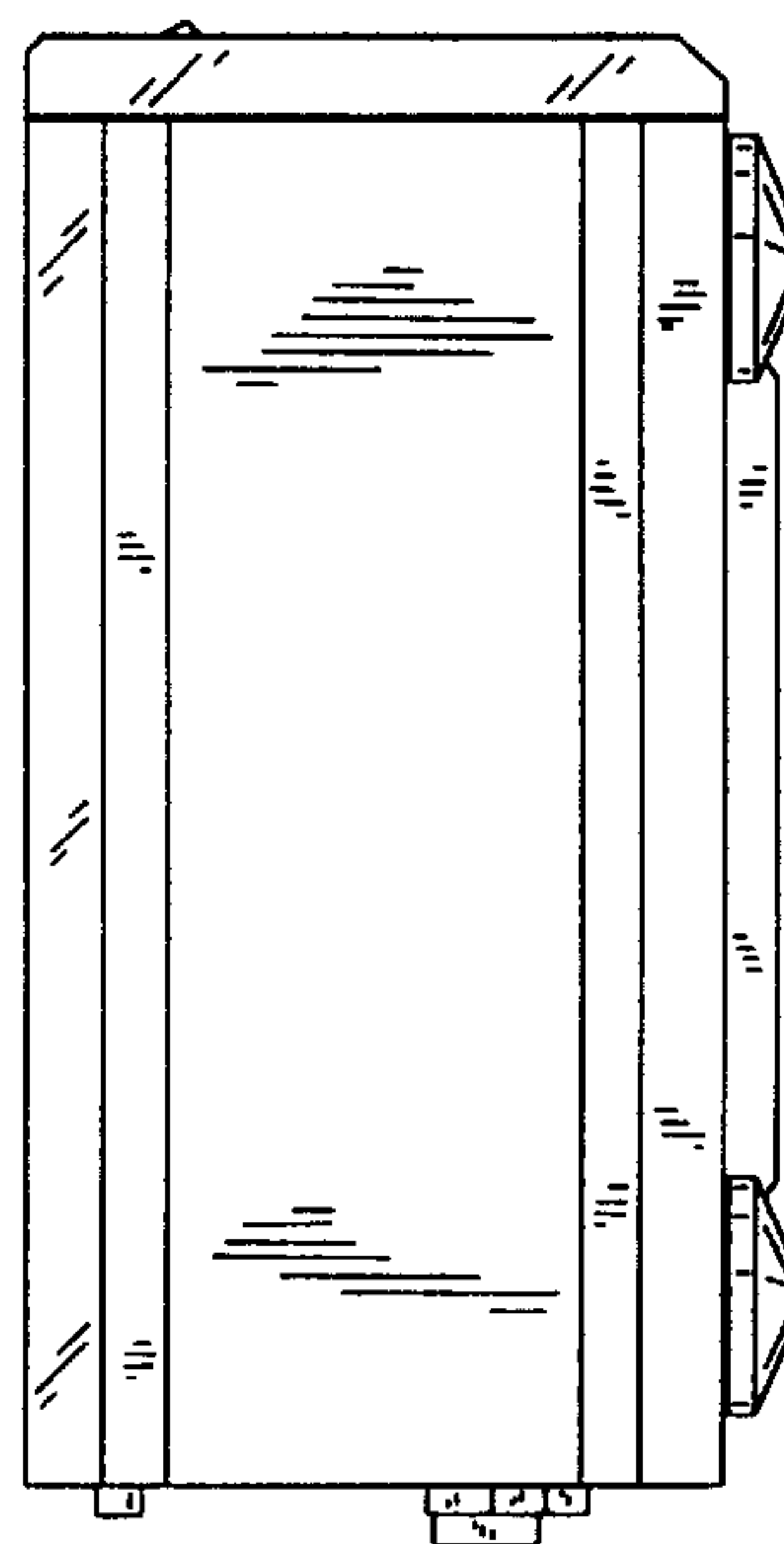


FIG. 11

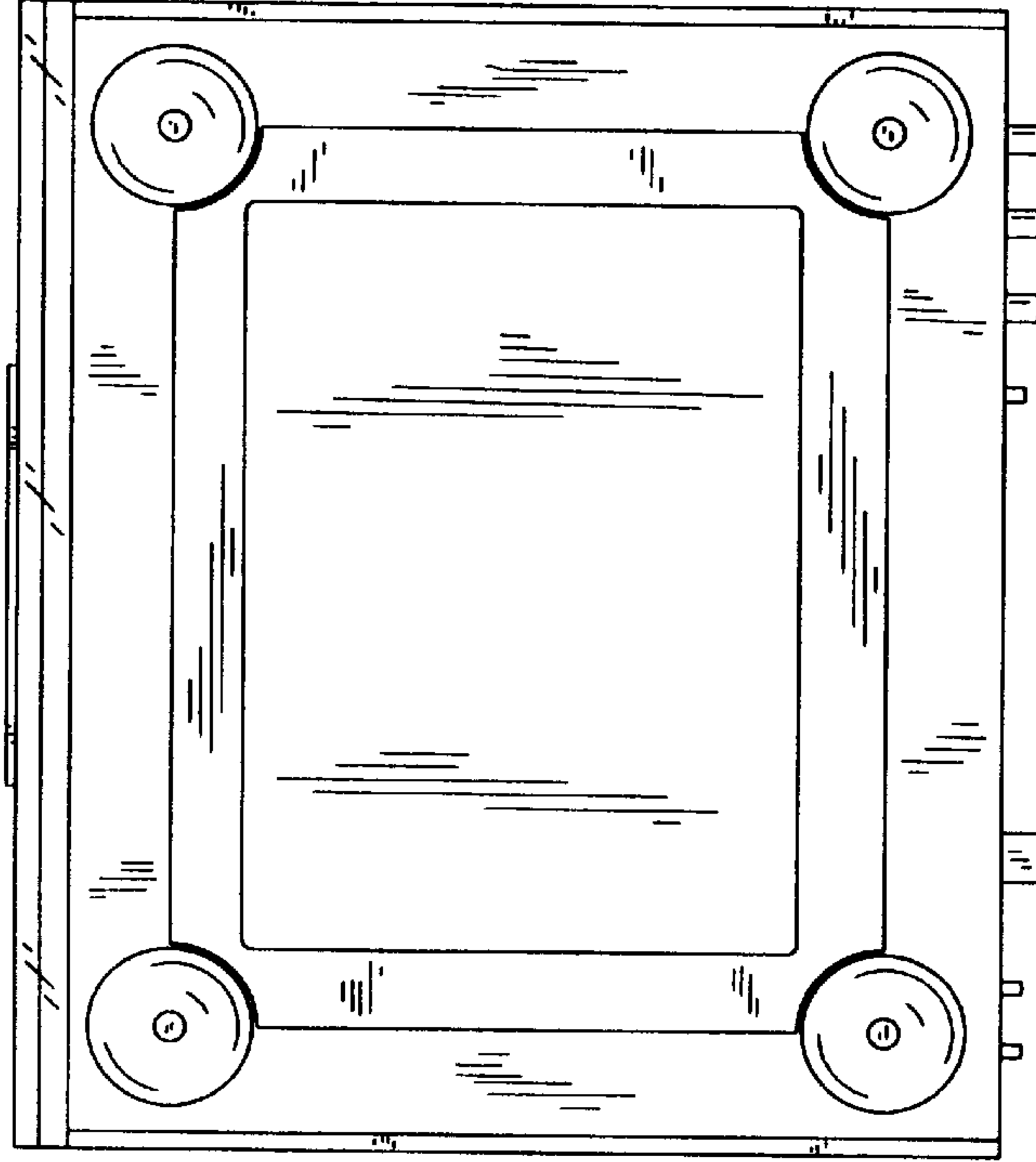


FIG. 13

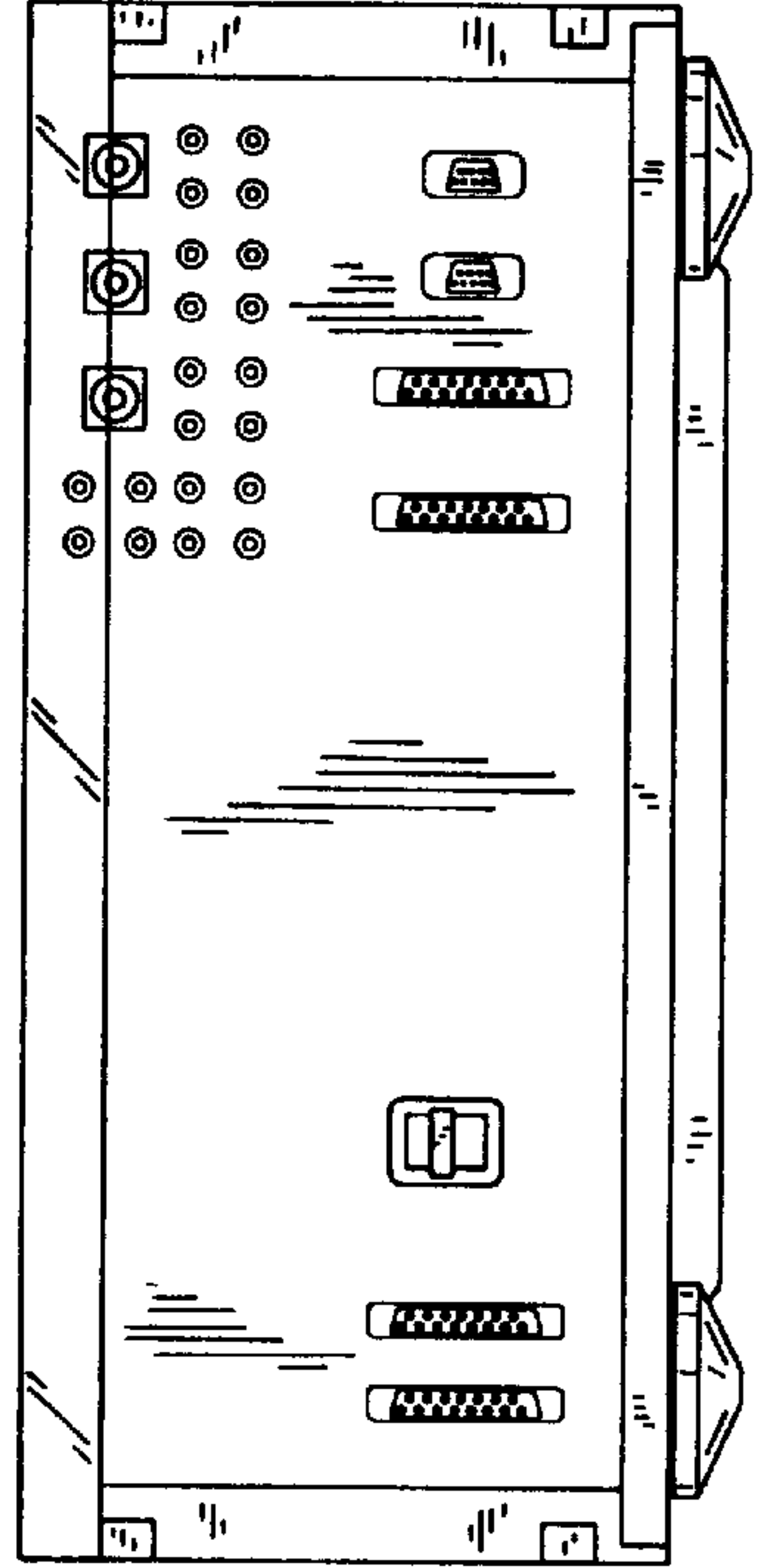


FIG. 12

