



US00D430122S

United States Patent [19]

[11] **Patent Number: Des. 430,122**

Nishiwaki et al.

[45] **Date of Patent: ** Aug. 29, 2000**

[54] **COMBINED TELEVISION RECEIVER AND VIDEO TAPE RECORDER**

D. 351,155 10/1994 Usami et al. D14/126
D. 374,005 9/1996 Shimose et al. D14/129

[75] Inventors: **Kenji Nishiwaki; Masaki Takemoto; Koji Yukikado**, all of Ehime, Japan

OTHER PUBLICATIONS

JVC Model Nos. C-25HR7 and C-21HR7 catalog issued Jun., 1998.

[73] Assignee: **Matsushita Electric Industrial Co., Ltd.**, Japan

Primary Examiner—Richelle Shelton
Attorney, Agent, or Firm—Saidman DesignLaw Group

[**] Term: **14 Years**

[57] CLAIM

[21] Appl. No.: **29/103,678**

The ornamental design for a combined television receiver and video tape recorder, as shown and described.

[22] Filed: **Apr. 19, 1999**

DESCRIPTION

[30] Foreign Application Priority Data

Nov. 30, 1998 [JP] Japan 10-34688

FIG. 1 is a perspective view of the top, front and right side of a combined television receiver and video tape recorder showing our new design;

[51] **LOC (7) Cl.** **14-03**

[52] **U.S. Cl.** **D14/129**

FIG. 2 is a front elevational view thereof;

[58] **Field of Search** D14/126-134;

FIG. 3 is a right side elevational view thereof;

312/7.2; 348/836, 838

FIG. 4 is a top plan view thereof;

FIG. 5 is a bottom view thereof;

[56] References Cited

U.S. PATENT DOCUMENTS

FIG. 6 is a rear view thereof; and,

FIG. 7 is a left side elevational view thereof.

D. 324,214 2/1992 Jo D14/129

1 Claim, 4 Drawing Sheets

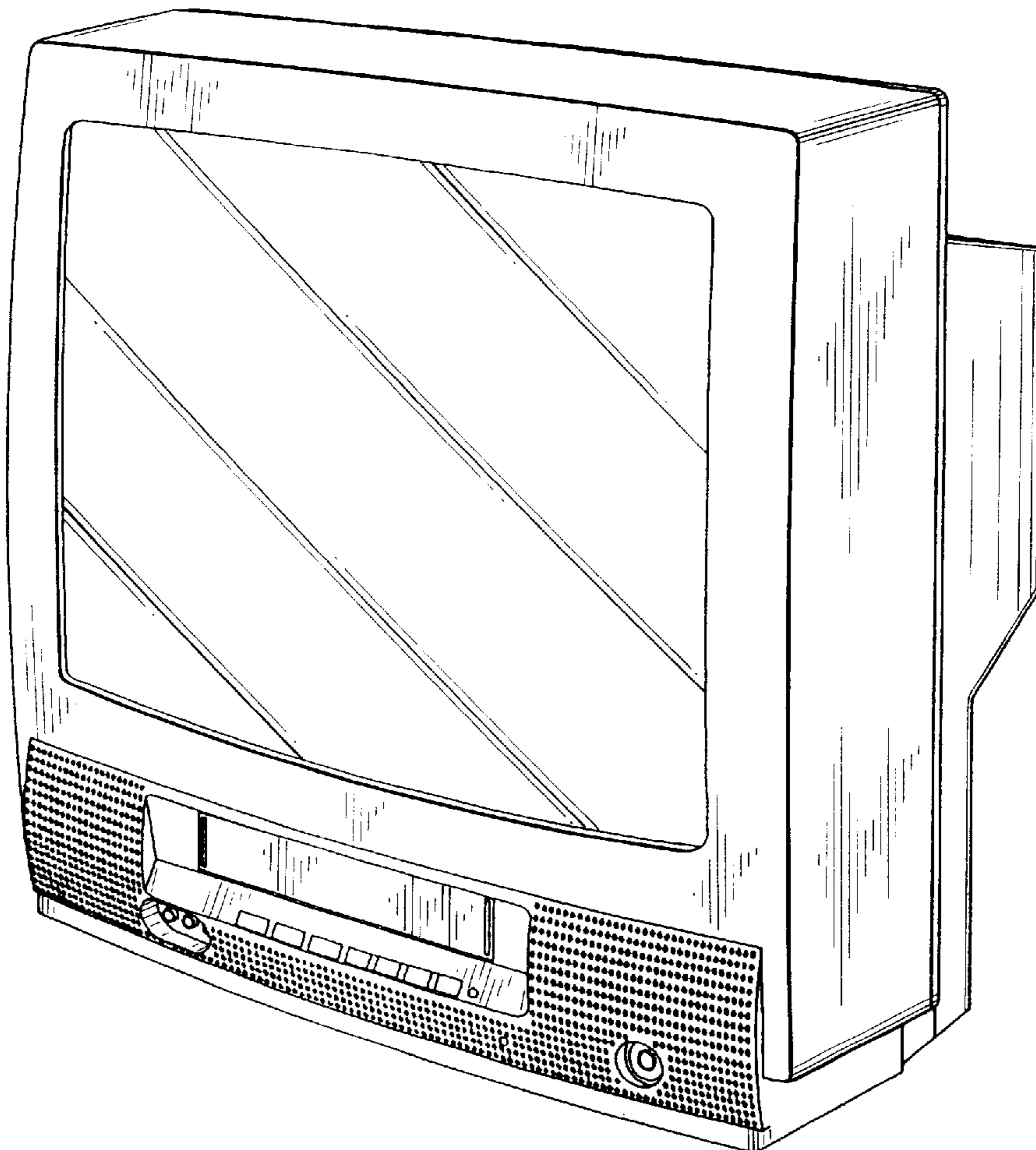


FIG. 1

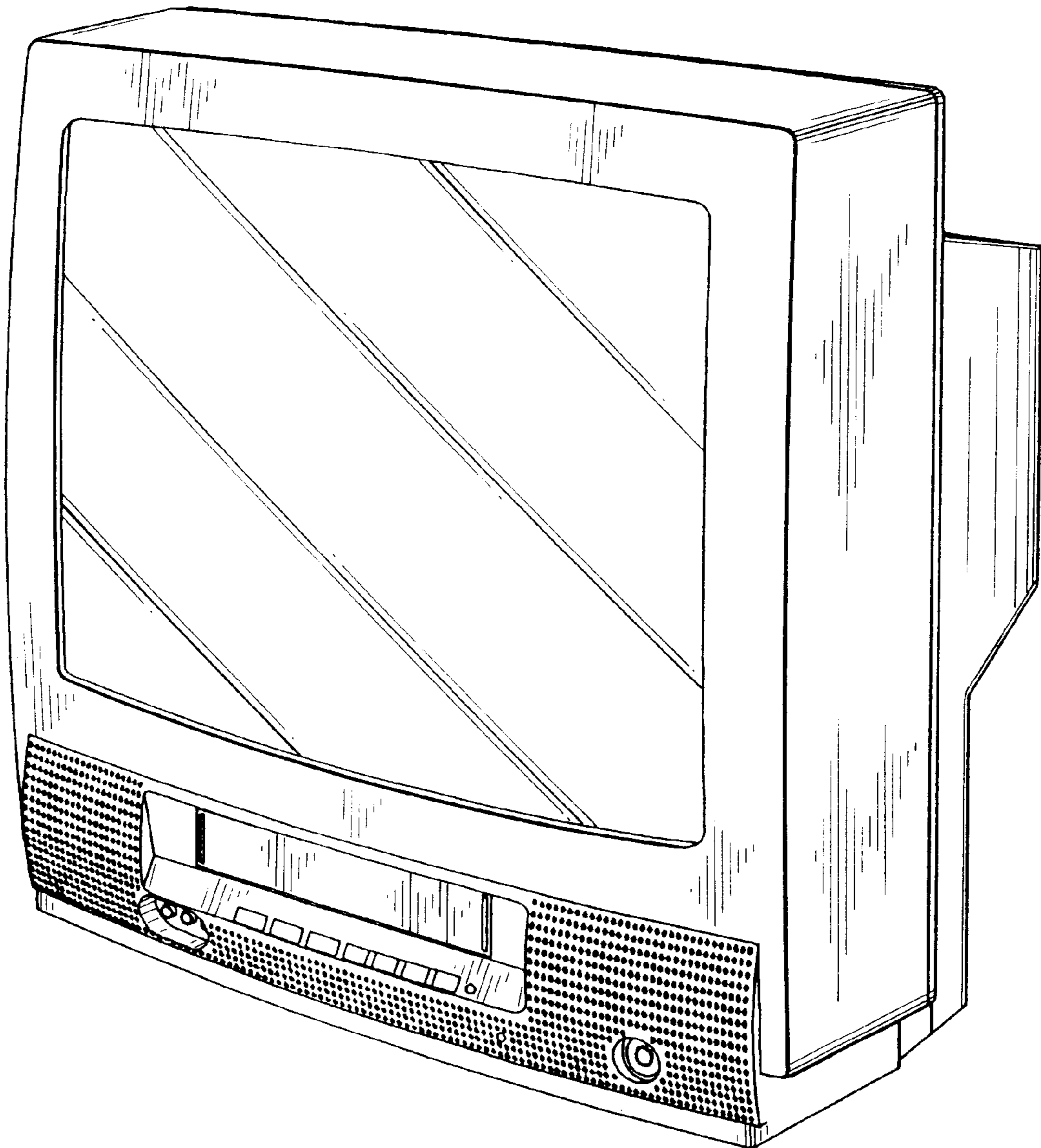


FIG. 3

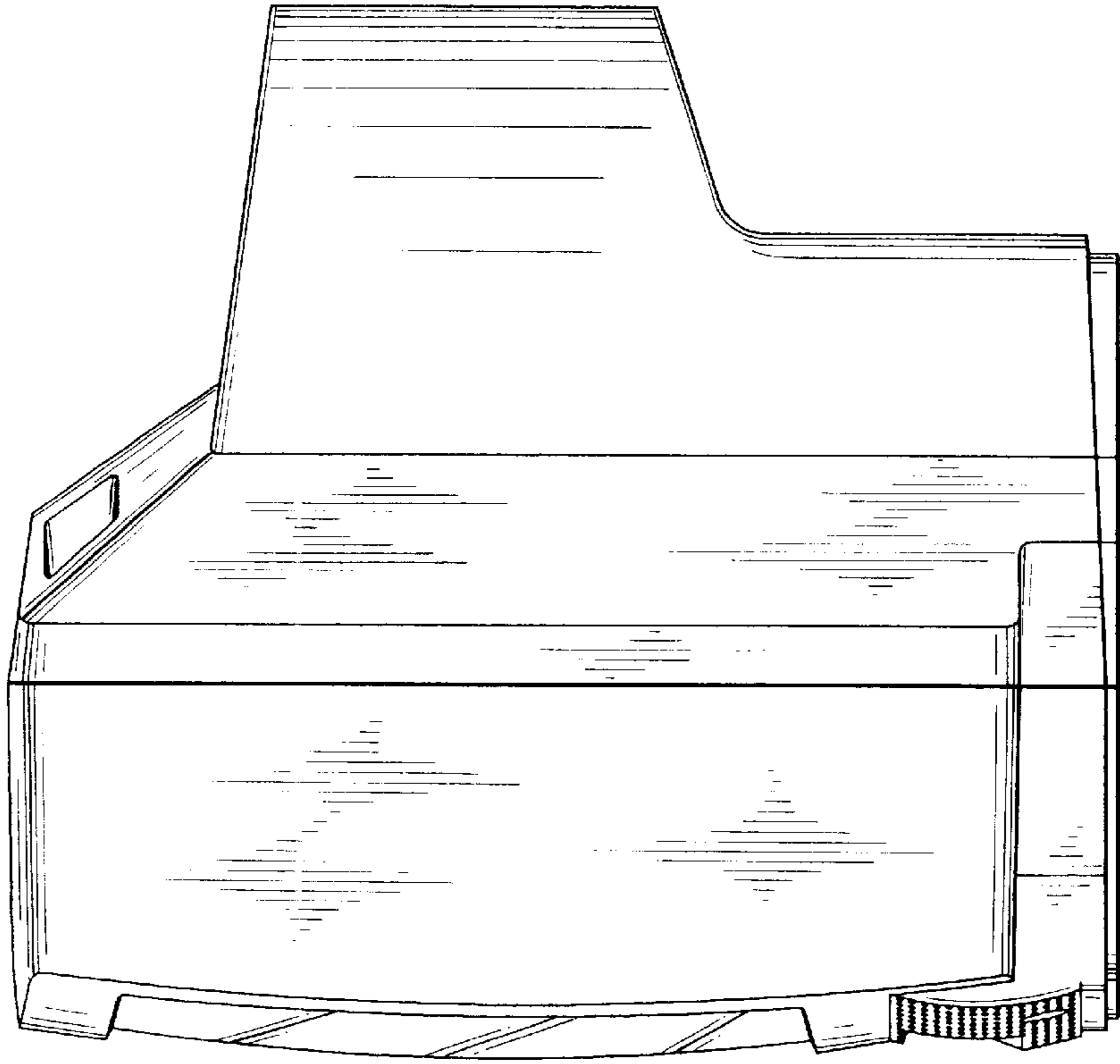


FIG. 2

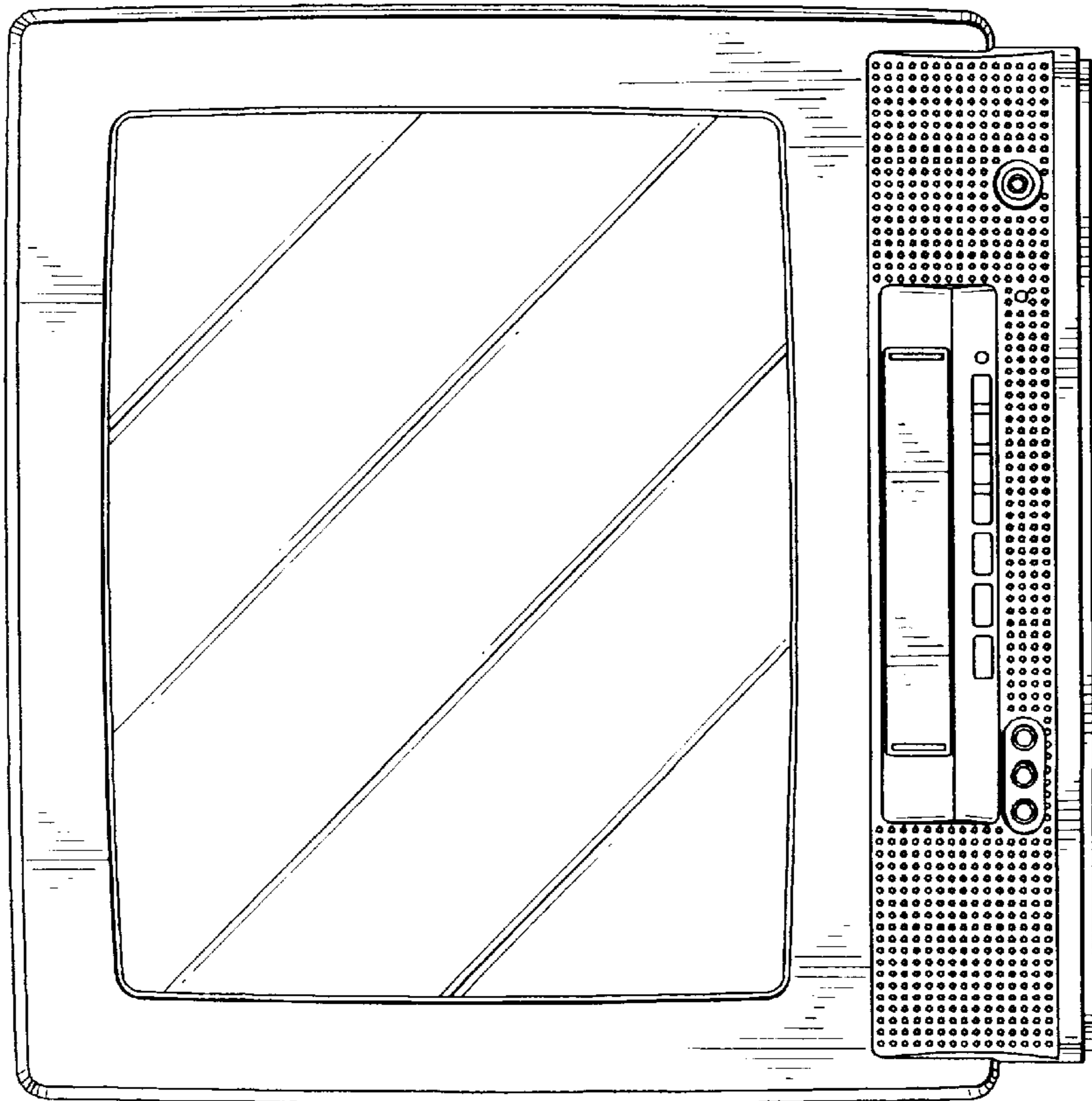


FIG. 5

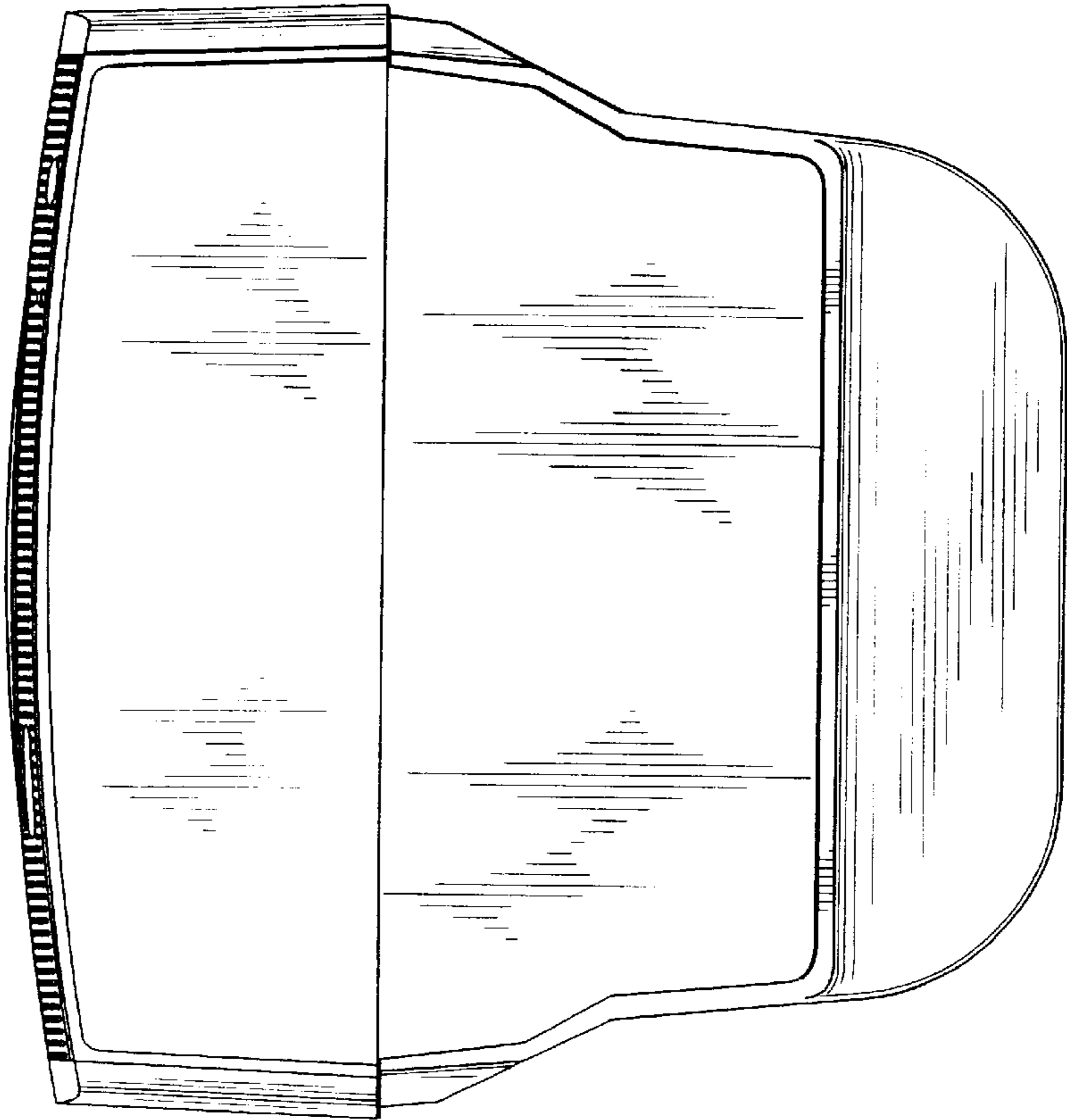


FIG. 4

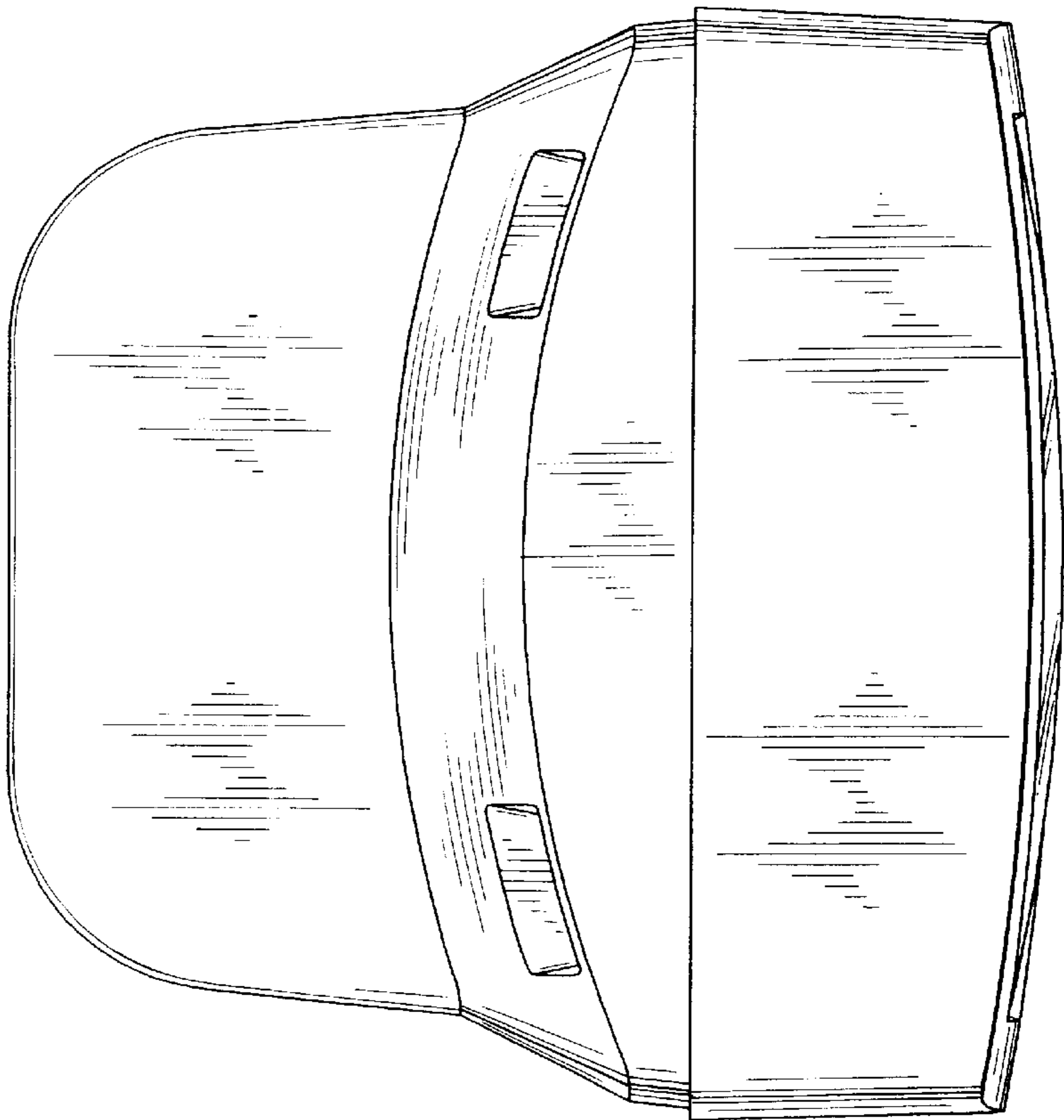


FIG. 7

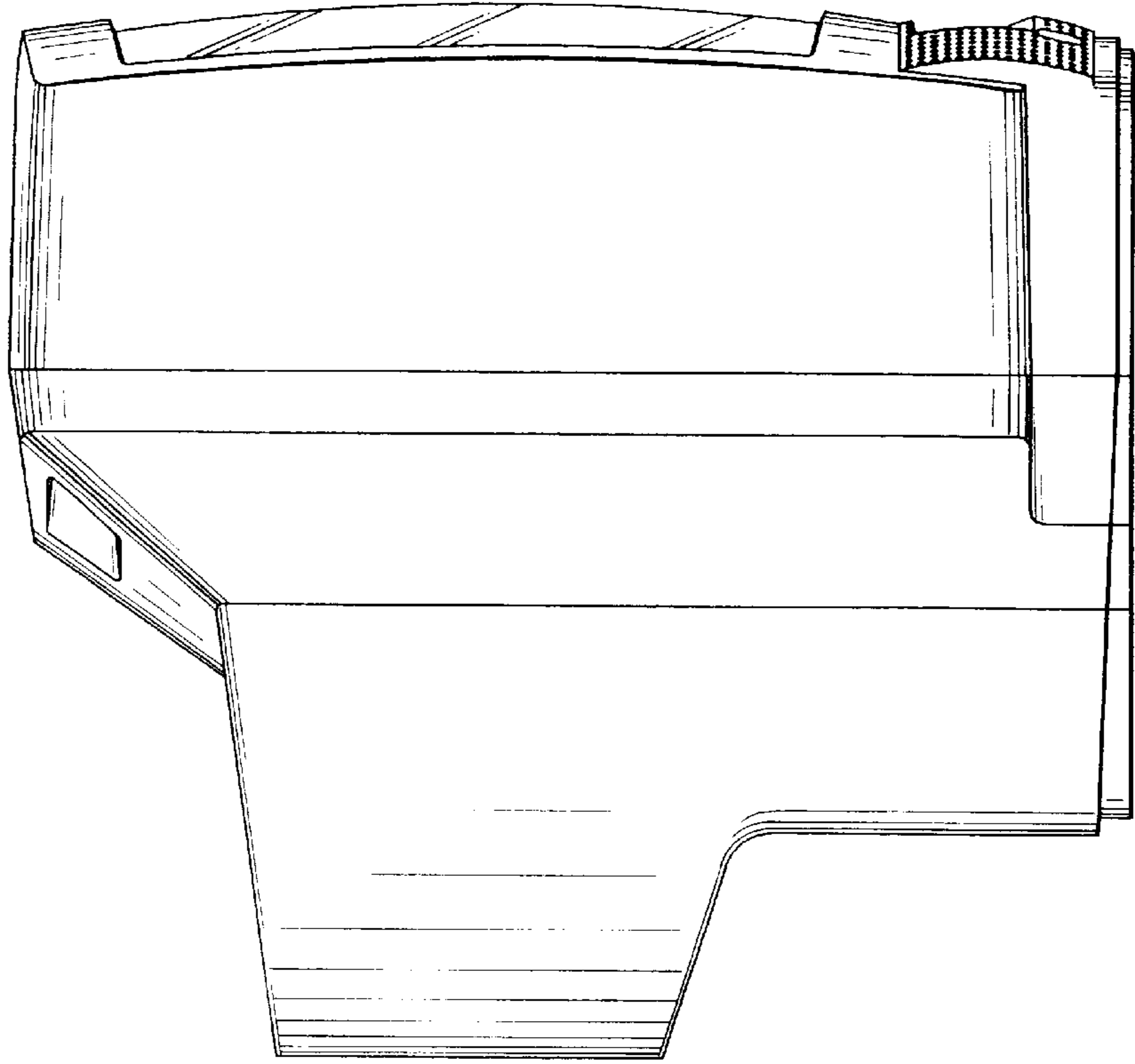


FIG. 6

