



US00D430119S

United States Patent [19]

[11] **Patent Number: Des. 430,119**

Fekete et al.

[45] **Date of Patent: ** Aug. 29, 2000**

[54] **TOUCH AND HOLD CONNECTOR STRIP FOR AN ELECTRONIC TOKEN**

4,969,549 11/1990 Eglise 194/205
5,049,728 9/1991 Rovin 235/492
5,091,771 2/1992 Bolan et al. 235/492 X

[75] Inventors: **Nicholas M. G. Fekete**, Richardson;
Elaine J. Gattenby, Allen; **Michael L. Bolan**, Dallas, all of Tex.

Primary Examiner—M. H. Tung
Attorney, Agent, or Firm—Jenkins & Gilchrist, A Professional Corporation

[73] Assignee: **Dallas Semiconductor Corporation**, Dallas, Tex.

[57] **CLAIM**

[**] Term: **14 Years**

The ornamental design for a touch and hold connector strip for an electronic token, as shown and described.

[21] Appl. No.: **29/031,724**

DESCRIPTION

[22] Filed: **Dec. 5, 1994**

FIG. 1 is a perspective view of a touch and hold connector strip for an electronic token;

[51] **LOC (7) Cl.** **14-02**

FIG. 2 is a top view of a touch and hold connector strip for an electronic token;

[52] **U.S. Cl.** **D14/114; D13/133; D13/146-7; 235/487-92; 194/205; D8/373**

FIG. 3 is an end view of a touch and hold connector strip for an electronic token, the opposite end view is a mirror image;

[58] **Field of Search** **D14/114; D13/133, D13/146-7; 235/487-92; 194/205; D8/373**

FIG. 4 is a side view of a touch and hold connector strip for an electronic token, the opposite side view is a mirror image; and,

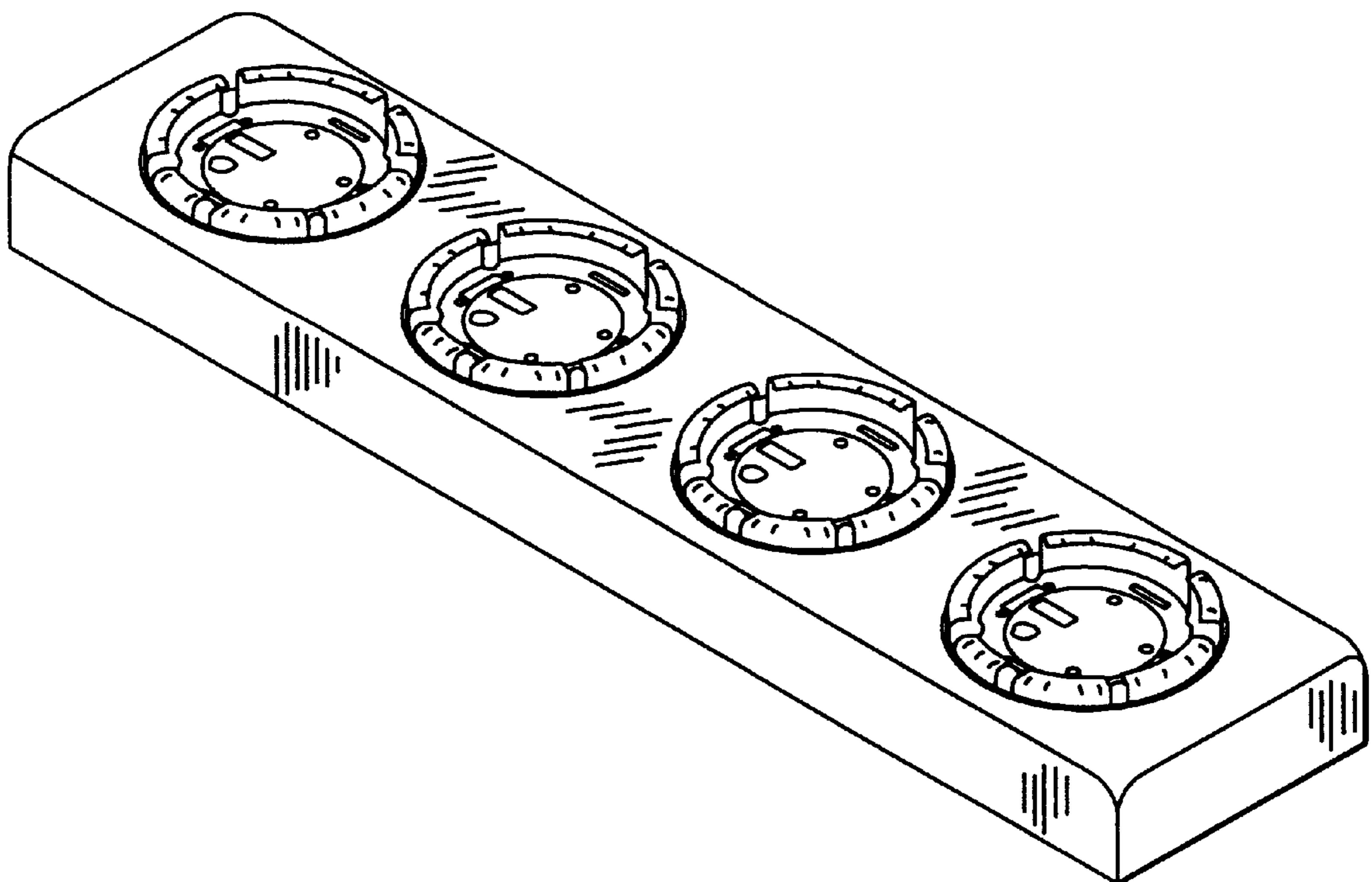
[56] **References Cited**

FIG. 5 is a bottom view of a touch and hold connector strip for an electronic token.

U.S. PATENT DOCUMENTS

D. 335,486 5/1993 Fatalo D13/147
D. 342,440 12/1993 Forsberg D8/373
D. 346,789 5/1994 Sanchez et al. D13/147

1 Claim, 1 Drawing Sheet



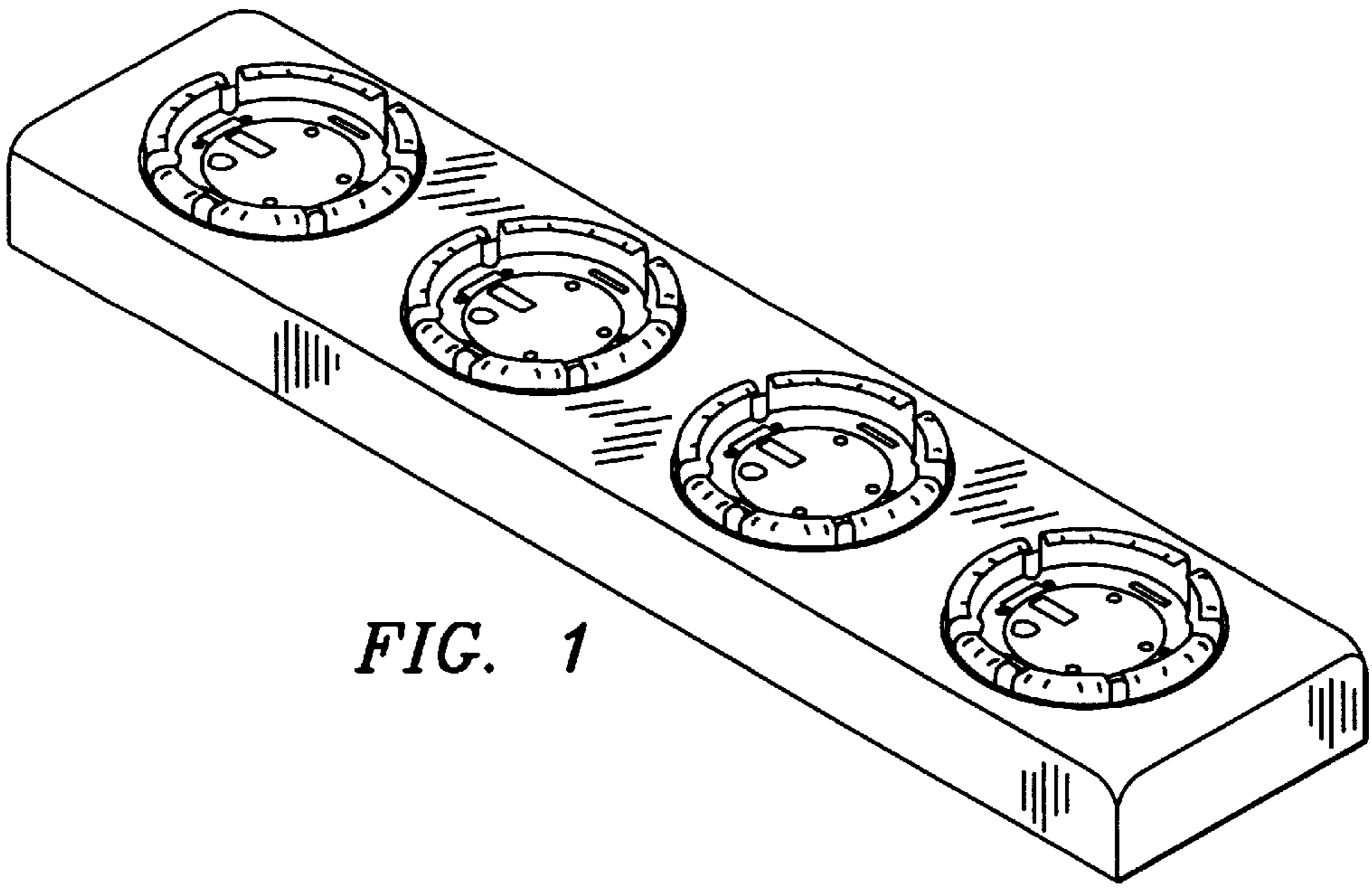


FIG. 1

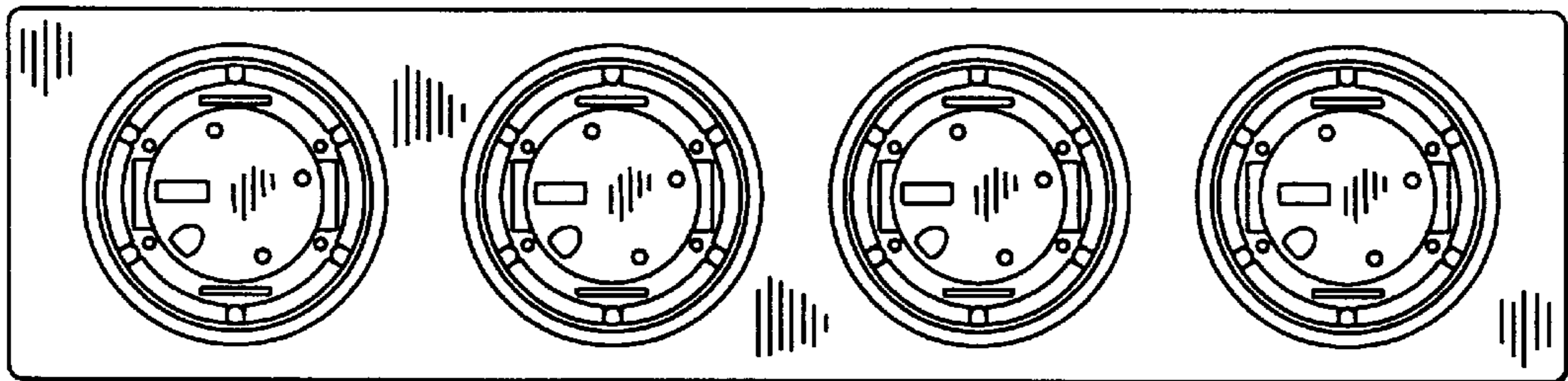


FIG. 2



FIG. 3

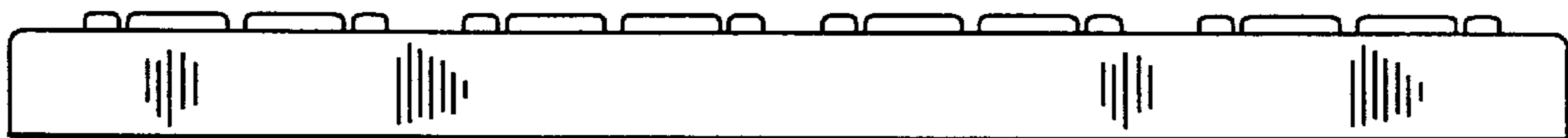


FIG. 4

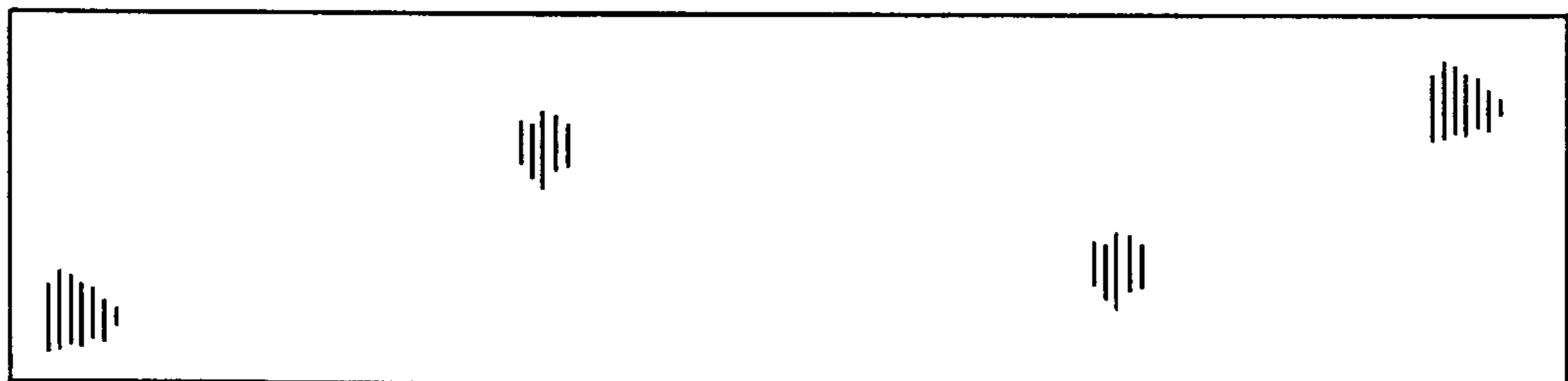


FIG. 5