



US00D430118S

United States Patent [19]

[11] Patent Number: Des. 430,118

Horiki et al.

[45] Date of Patent: ** Aug. 29, 2000

[54] PORTABLE COMPUTER

OTHER PUBLICATIONS

[75] Inventors: **Toshio Horiki; Tetsuji Abe; Yutaka Kohno**, all of Osaka, Japan

Panasonic Model No. CF-25, catalog issued Dec., 1997.
NEC Model No. PC9821 ls 150, catalog issued May, 1997.
GETAC A-series portable computer, catalog issued before Jul. 30, 1998.

[73] Assignee: **Matsushita Electric Industrial Co., Ltd.**, Japan

Primary Examiner—Freda Nunn
Attorney, Agent, or Firm—Saidman DesignLaw Group

[**] Term: **14 Years**

[57] CLAIM

[21] Appl. No.: **29/099,008**

The ornamental design for a portable computer, as shown and described.

[22] Filed: **Jan. 11, 1999**

[30] Foreign Application Priority Data

DESCRIPTION

Jul. 30, 1998 [JP] Japan 10-22232

FIG. 1 is a perspective view of the top, front and right side of a portable computer showing our new design;

[51] LOC (7) Cl. **14-02**

FIG. 2 is a front view thereof;

[52] U.S. Cl. **D14/106**

FIG. 3 is a rear view thereof;

[58] Field of Search D14/100, 101, D14/106, 115; D18/1, 4, 7; 235/145 A, 145 R; 341/22, 23; 345/104, 156, 168, 169; 361/680-686; 364/708.1

FIG. 4 is a top plan view thereof;

FIG. 5 is a bottom view thereof;

FIG. 6 is a left side view thereof;

FIG. 7 is a right side view thereof;

[56] References Cited

FIG. 8 is a perspective view similar to FIG. 1 with the antenna being extended;

U.S. PATENT DOCUMENTS

D. 344,074 2/1994 Collins D14/106
D. 384,043 9/1997 Tamaki D14/106
D. 387,037 12/1997 Horiki et al. D14/106
D. 388,403 12/1997 Tochishita D14/106

FIG. 9 is a perspective view with the handle being drawn out and the lid in closed condition; and,

FIG. 10 is a perspective view with the lid in closed condition.

1 Claim, 10 Drawing Sheets

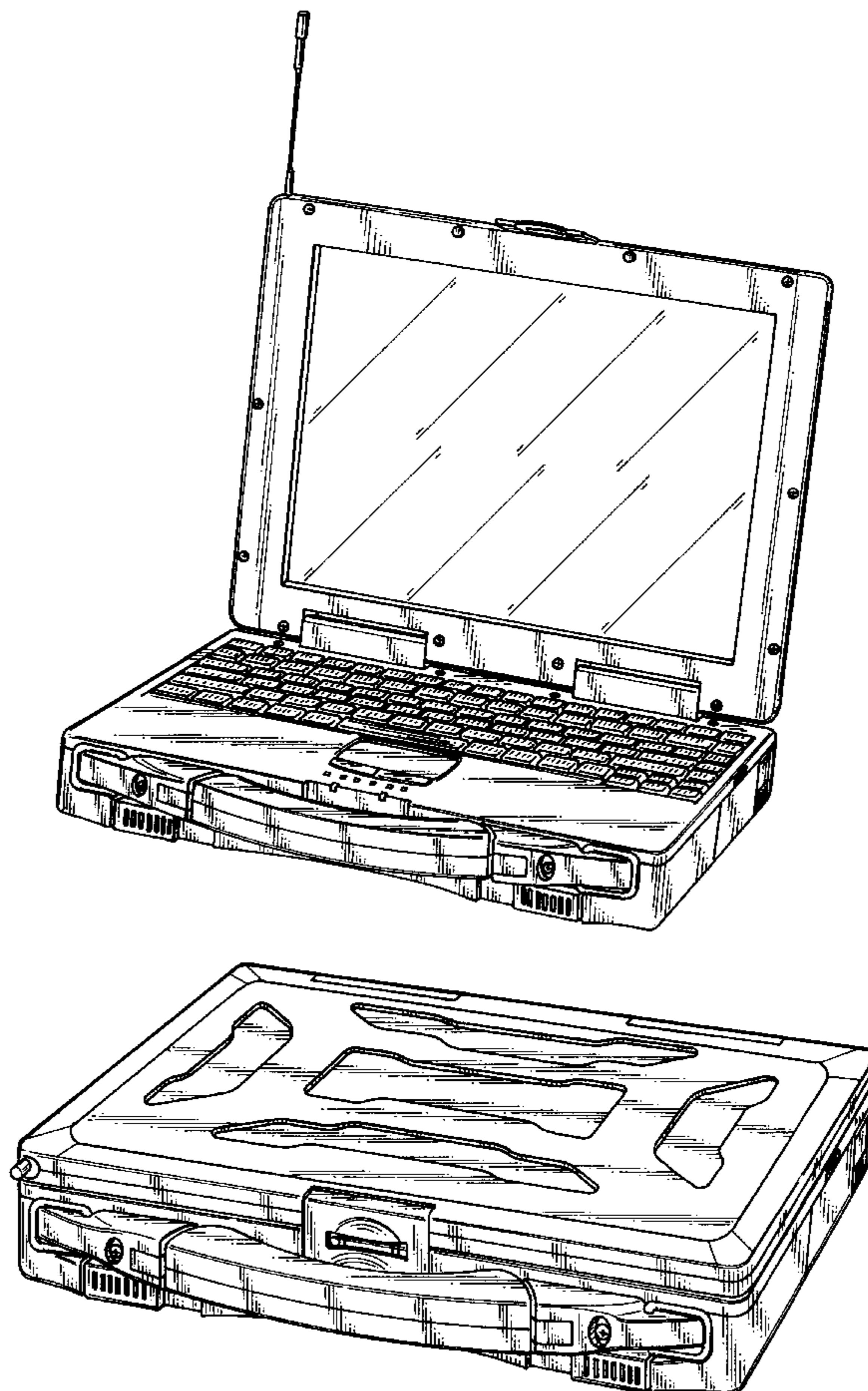


Fig. 1

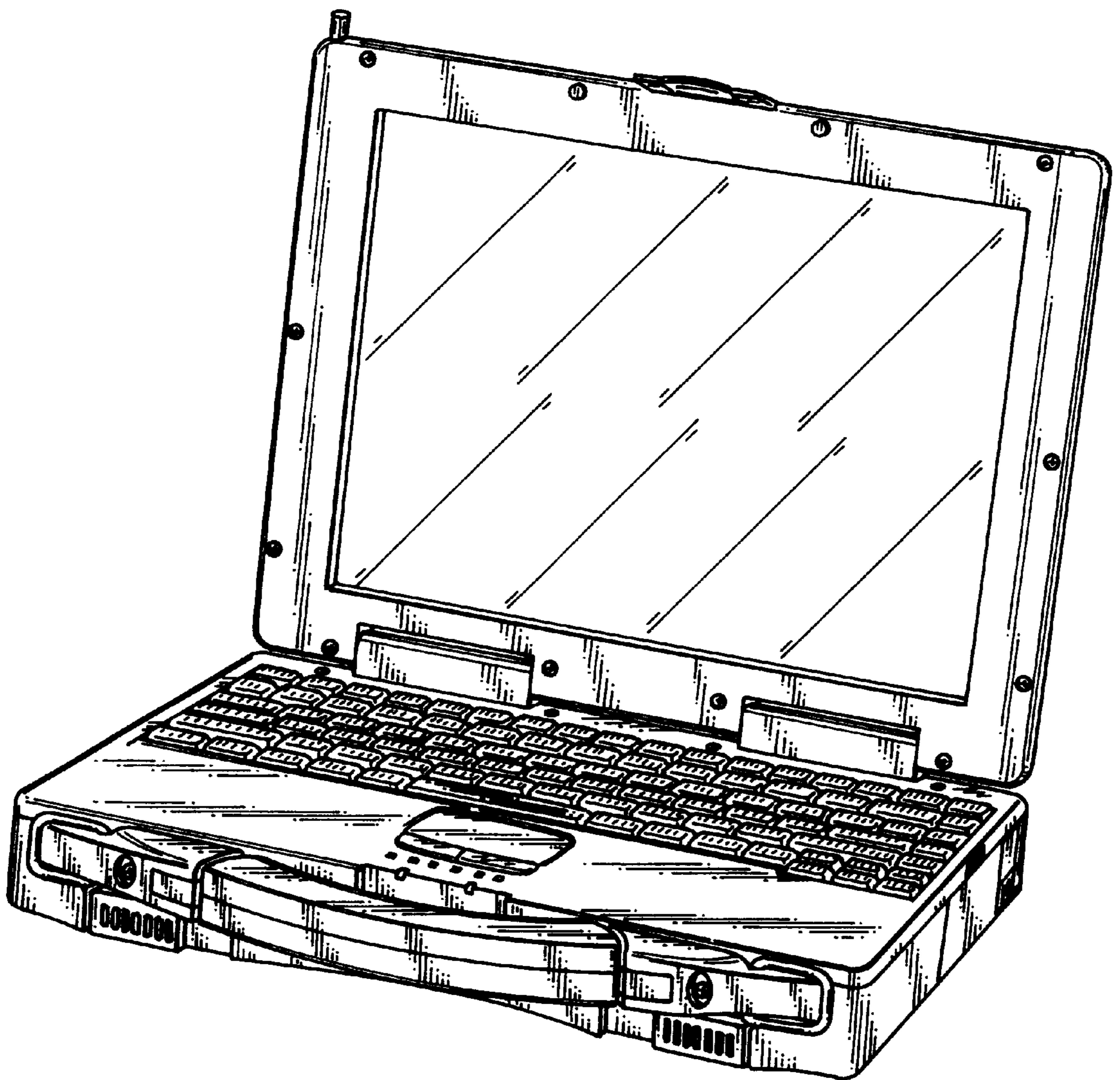


Fig. 2

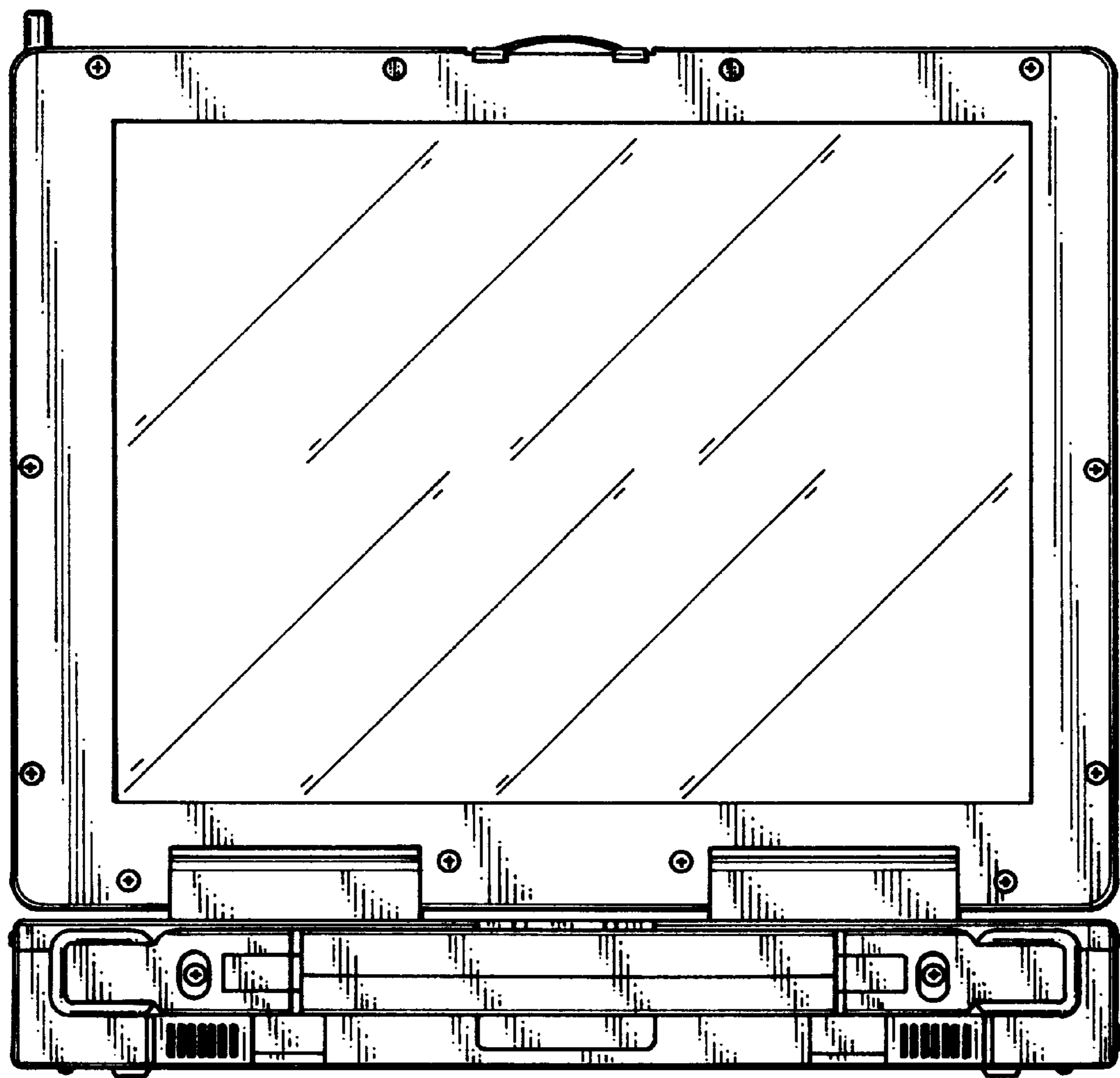


Fig. 3

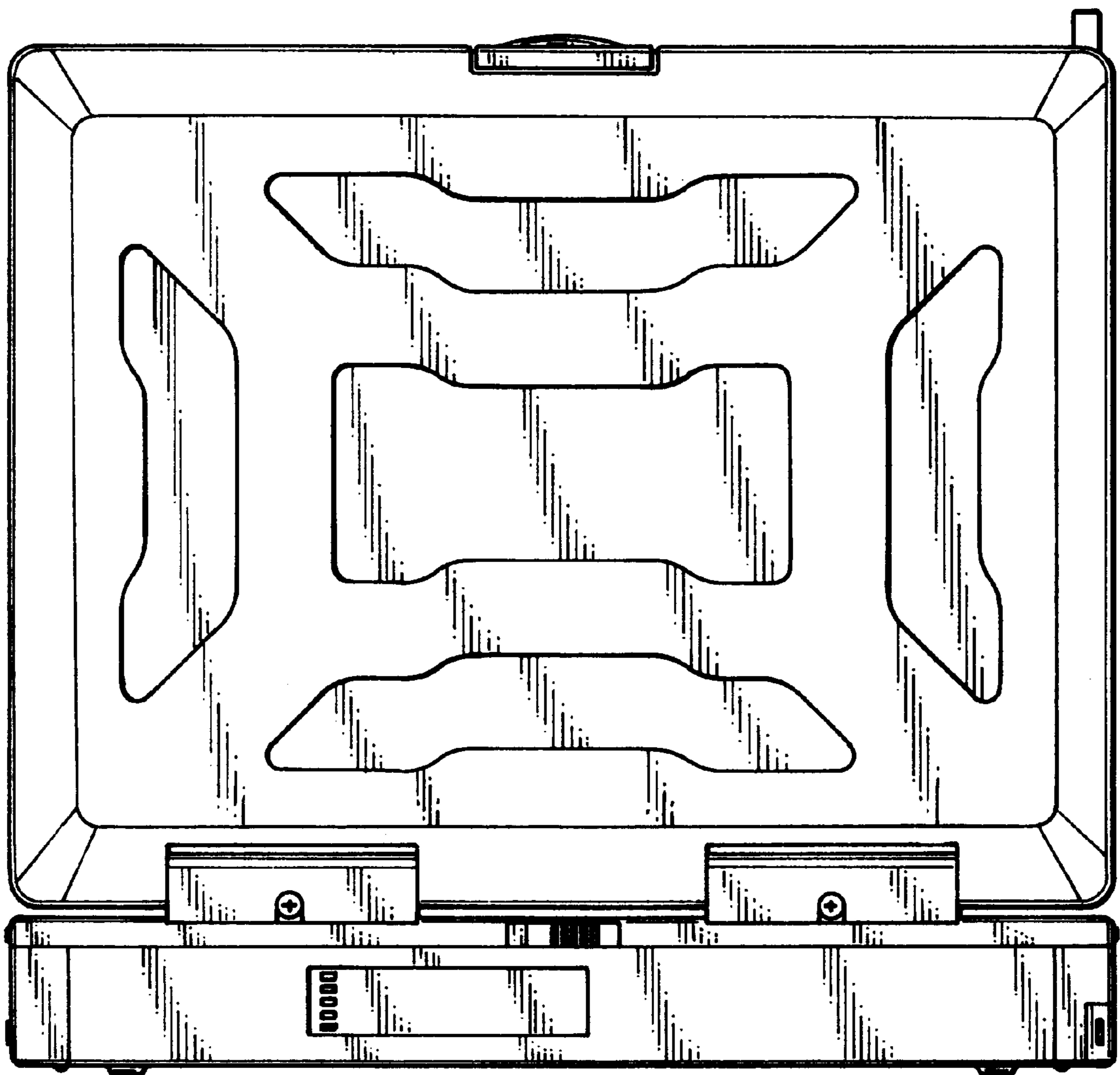


Fig. 4

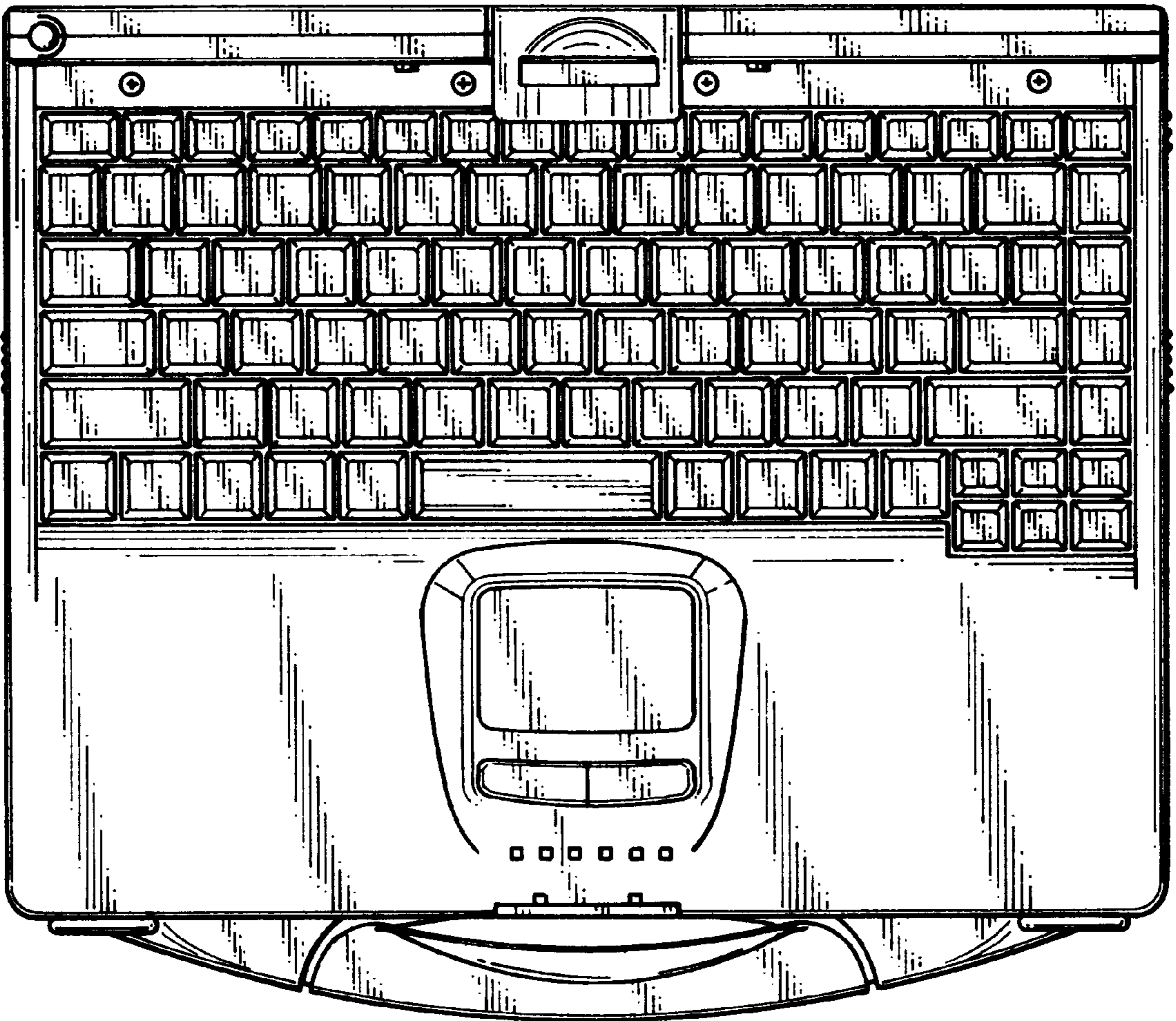


Fig. 5

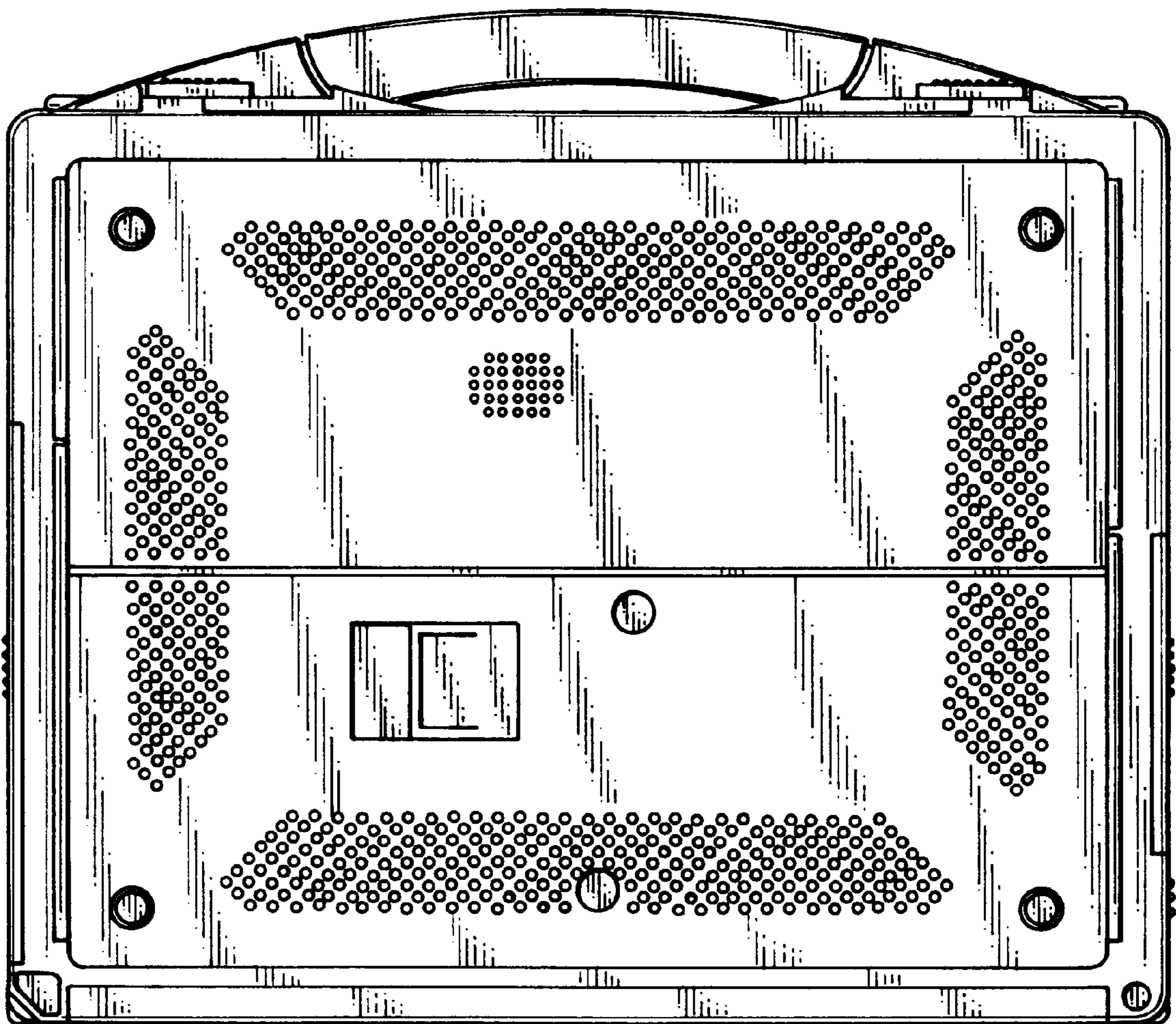


Fig. 6

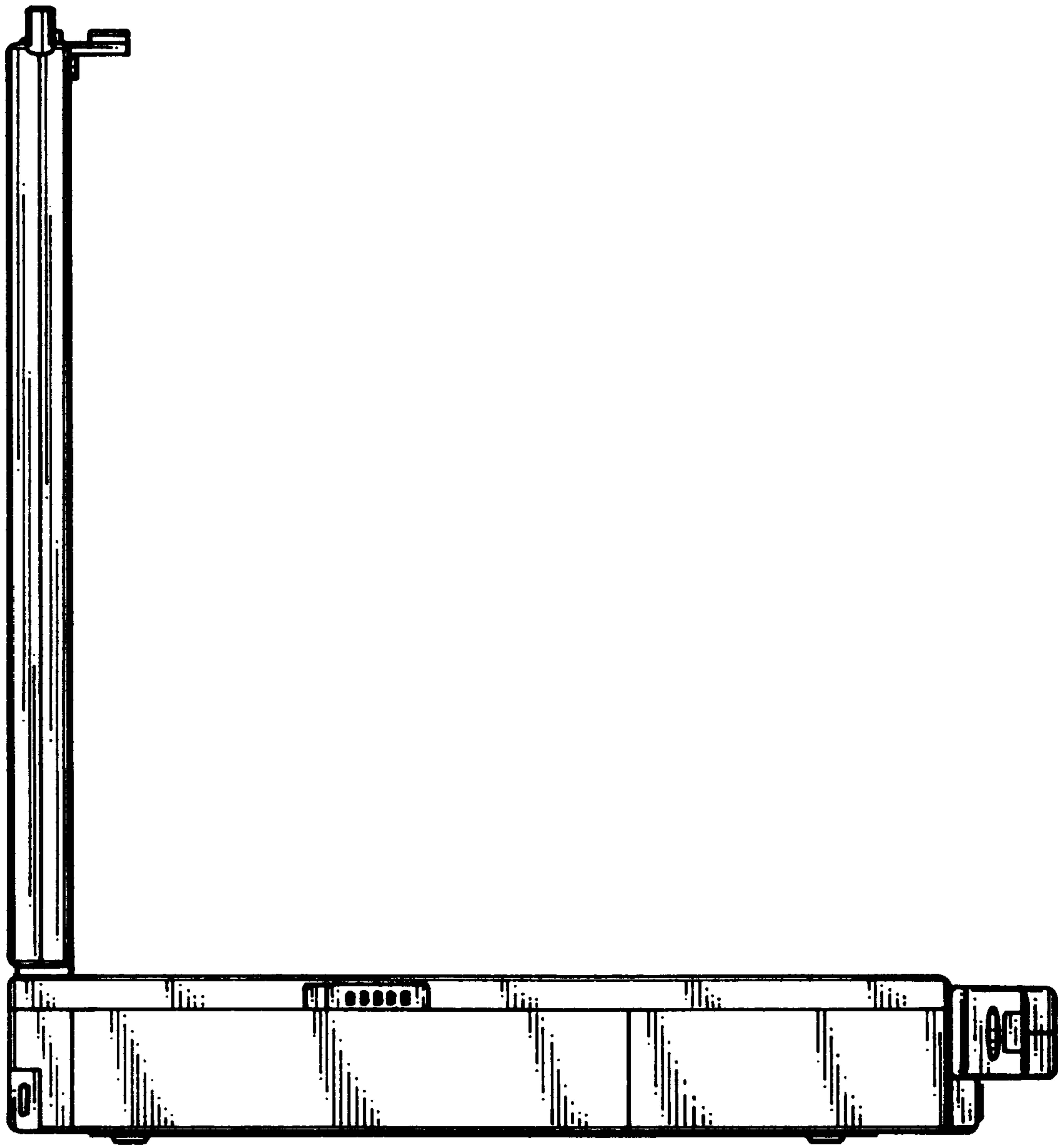


Fig. 7

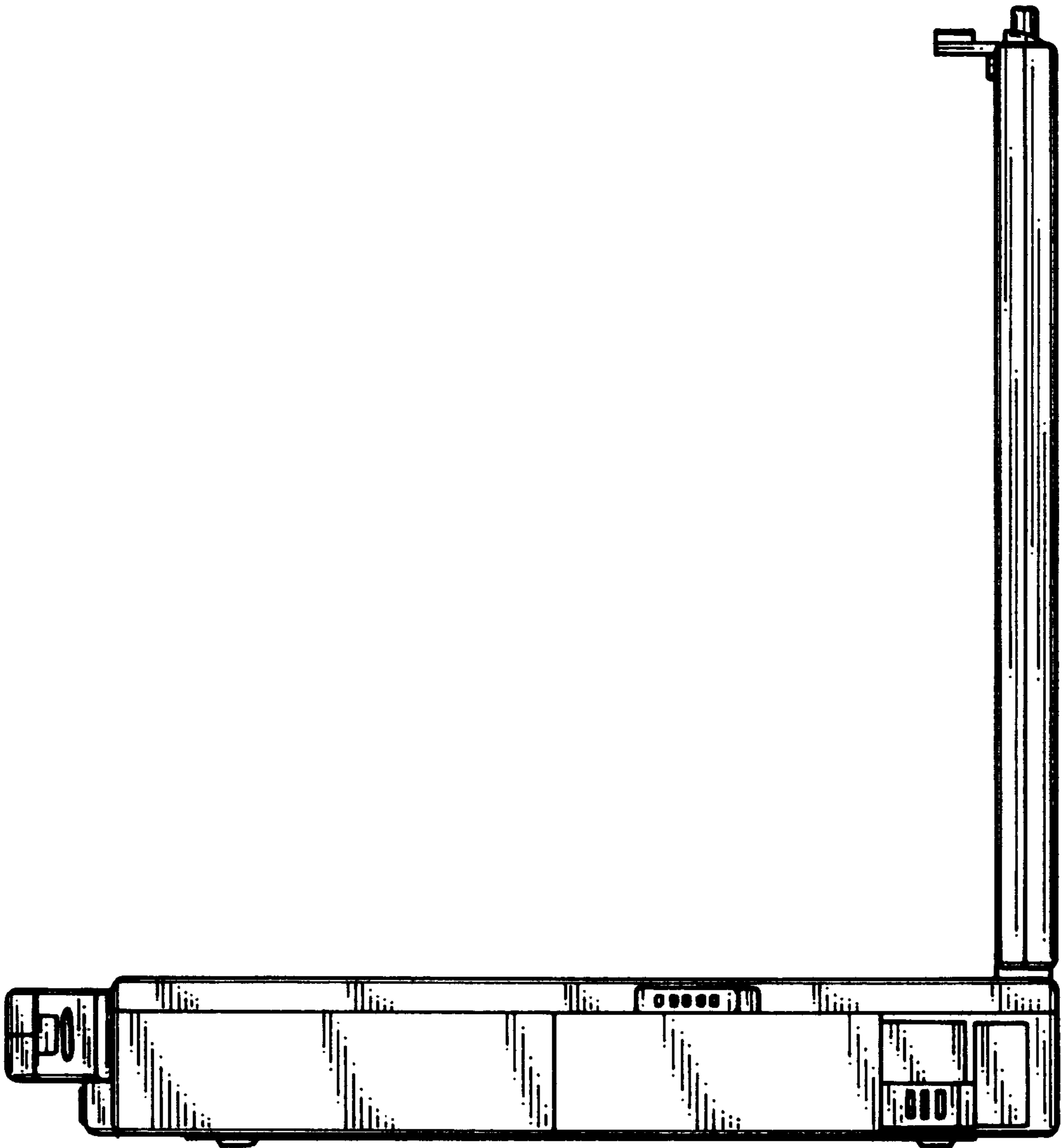


Fig. 8

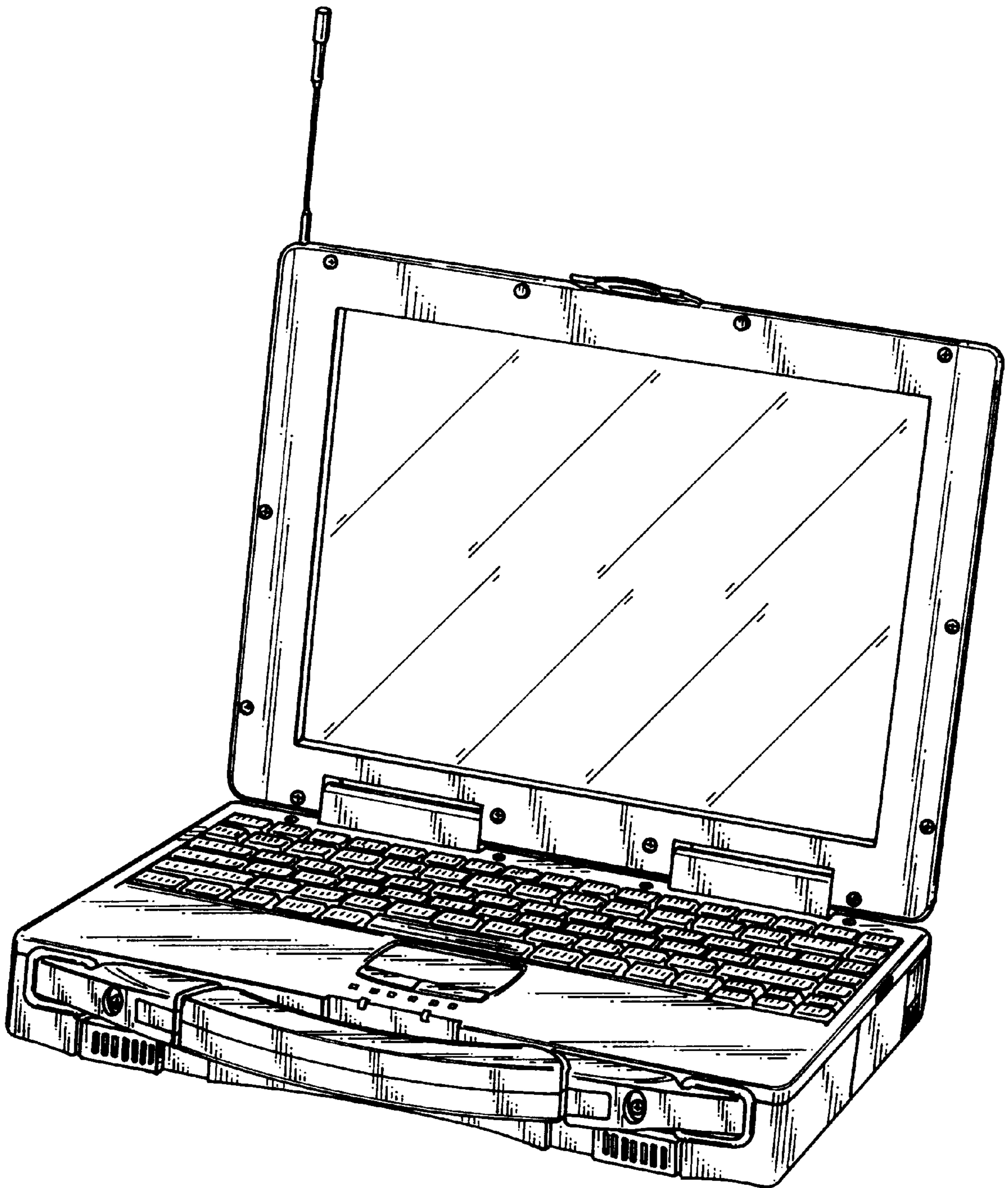


Fig. 9

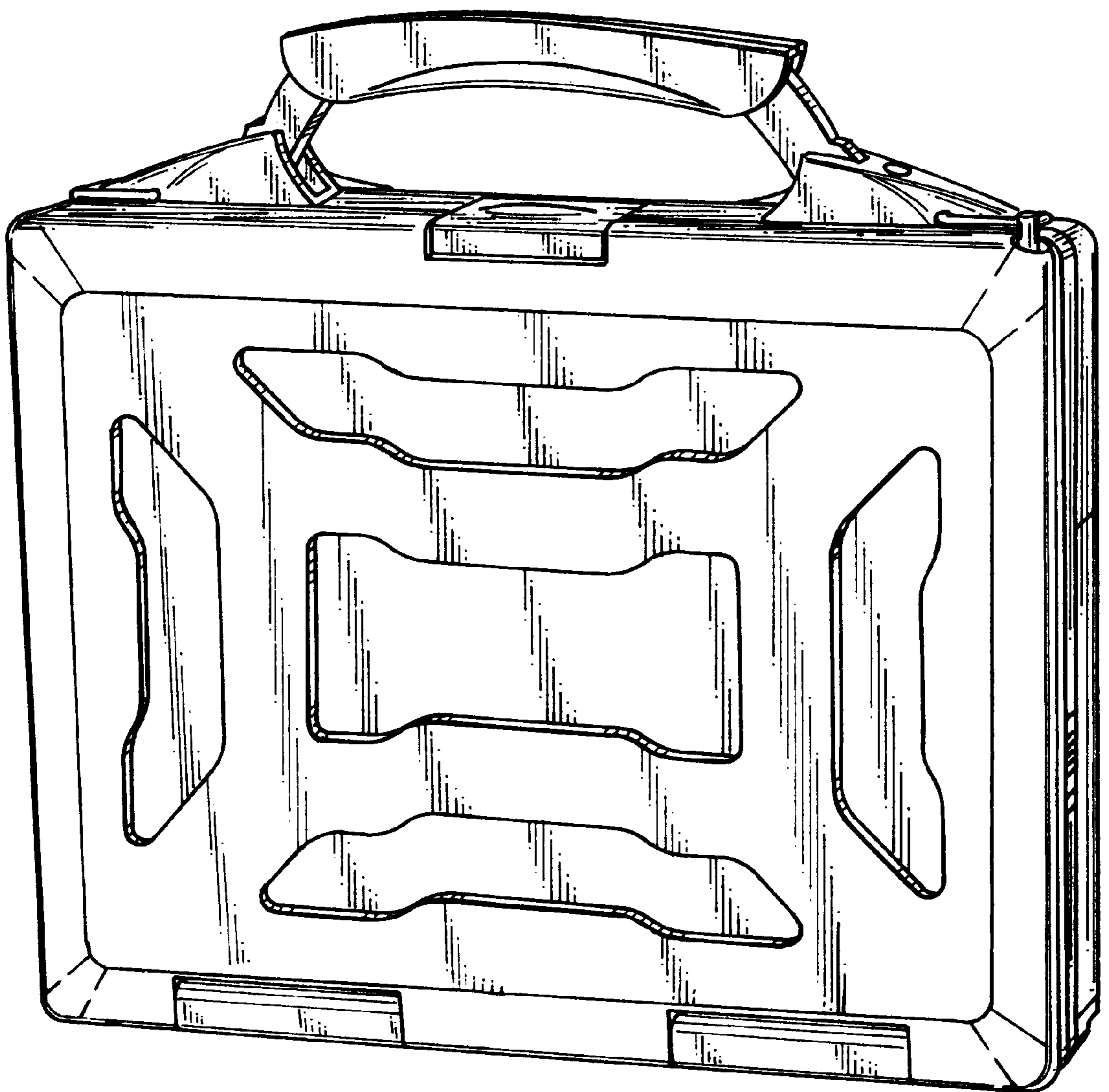


Fig. 10

