



US00D430116S

**United States Patent** [19]  
**Huang**

[11] **Patent Number: Des. 430,116**

[45] **Date of Patent: \*\* Aug. 29, 2000**

[54] **ISOLATING COVER FOR TRANSFORMER**

[76] Inventor: **Ming Shih Huang**, No. 6, Lane 51,  
Chung Hsing Road, Sec. 1, Wu Ku  
Taipei Hsien, Taiwan

[\*\*] Term: **14 Years**

[21] Appl. No.: **29/107,306**

[22] Filed: **Jul. 6, 1999**

[51] **LOC (7) Cl.** ..... **13-99**

[52] **U.S. Cl.** ..... **D13/184; D13/199**

[58] **Field of Search** ..... D13/184, 173,  
D13/110, 199, 177; 174/48, 50, 50.51,  
58; 361/600, 601, 603, 623, 641; 220/3.2,  
3.3, 3.8

[56] **References Cited**

**U.S. PATENT DOCUMENTS**

D. 270,232 8/1983 Leong ..... D13/156  
D. 305,420 1/1990 Bujak, Jr. et al. .... D13/177

D. 332,088 12/1992 Nimpoeno et al. .... D13/184  
D. 390,825 2/1998 Chen ..... D13/184  
4,496,067 1/1985 Benscoter ..... 220/3.3 X  
5,317,462 5/1994 Kakizaki ..... 174/52.3 X

*Primary Examiner*—Brian N. Vinson  
*Attorney, Agent, or Firm*—Dougherty & Troxell

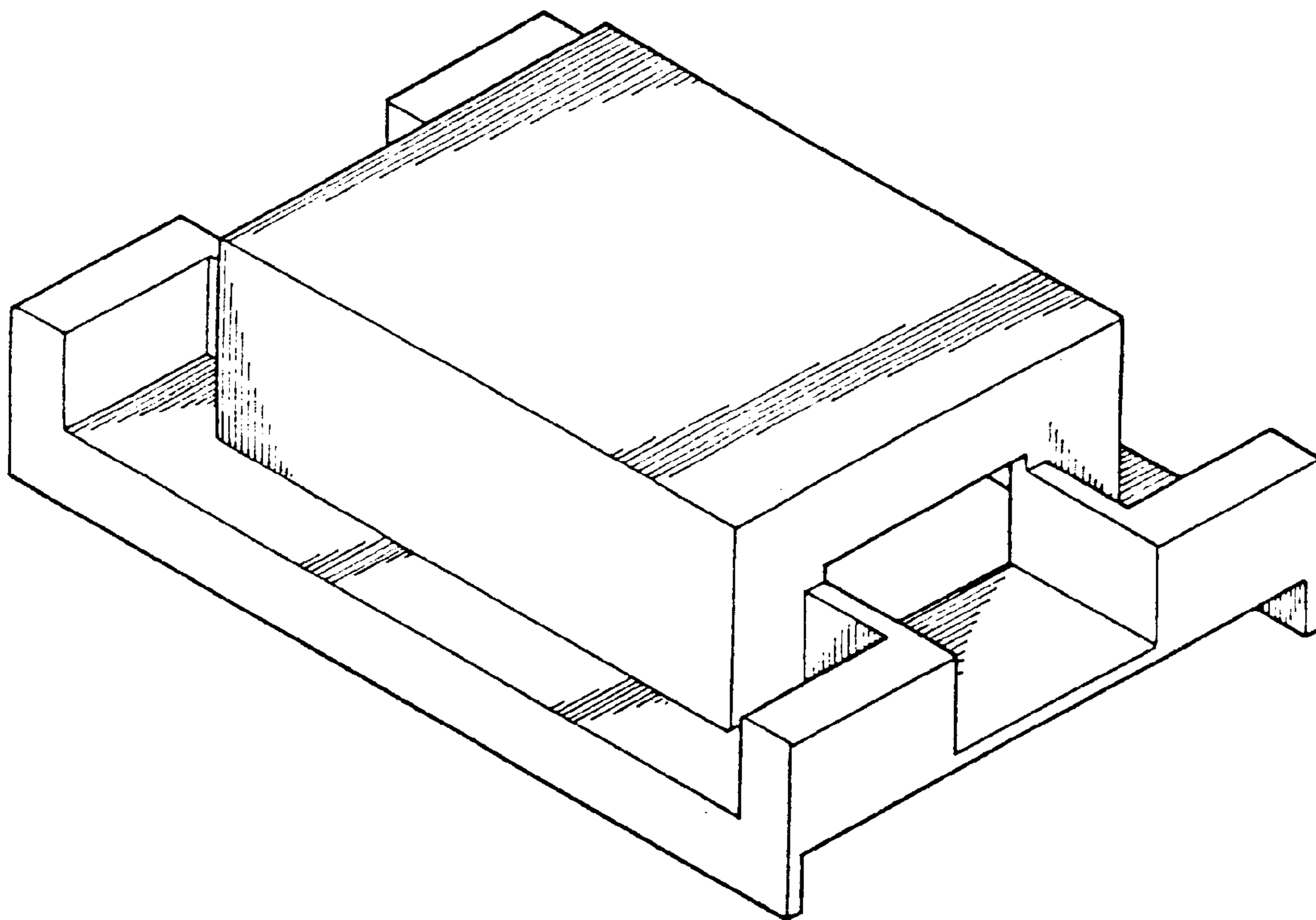
[57] **CLAIM**

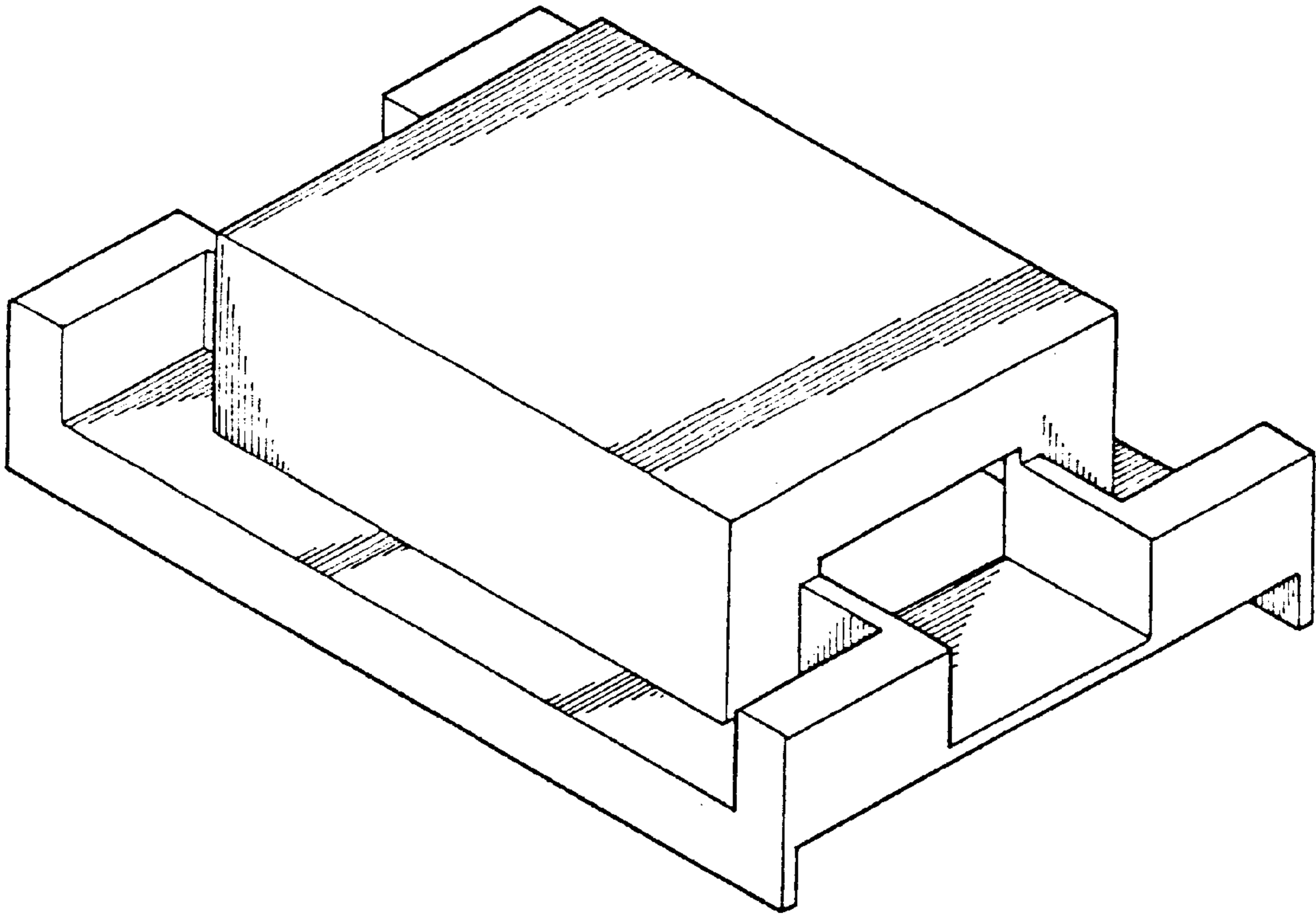
The ornamental design for an isolating cover for transformer, as shown and described.

**DESCRIPTION**

FIG. 1 is a perspective view of an isolating cover for transformer showing my new design;  
FIG. 2 is a side elevational view thereof;  
FIG. 3 is a top plan view thereof;  
FIG. 4 is a front elevational view thereof;  
FIG. 5 is a bottom plan view thereof;  
FIG. 6 is an elevational view of the side opposite to FIG. 4; and,  
FIG. 7 is a rear elevational view thereof.

**1 Claim, 3 Drawing Sheets**





*FIG. 1*

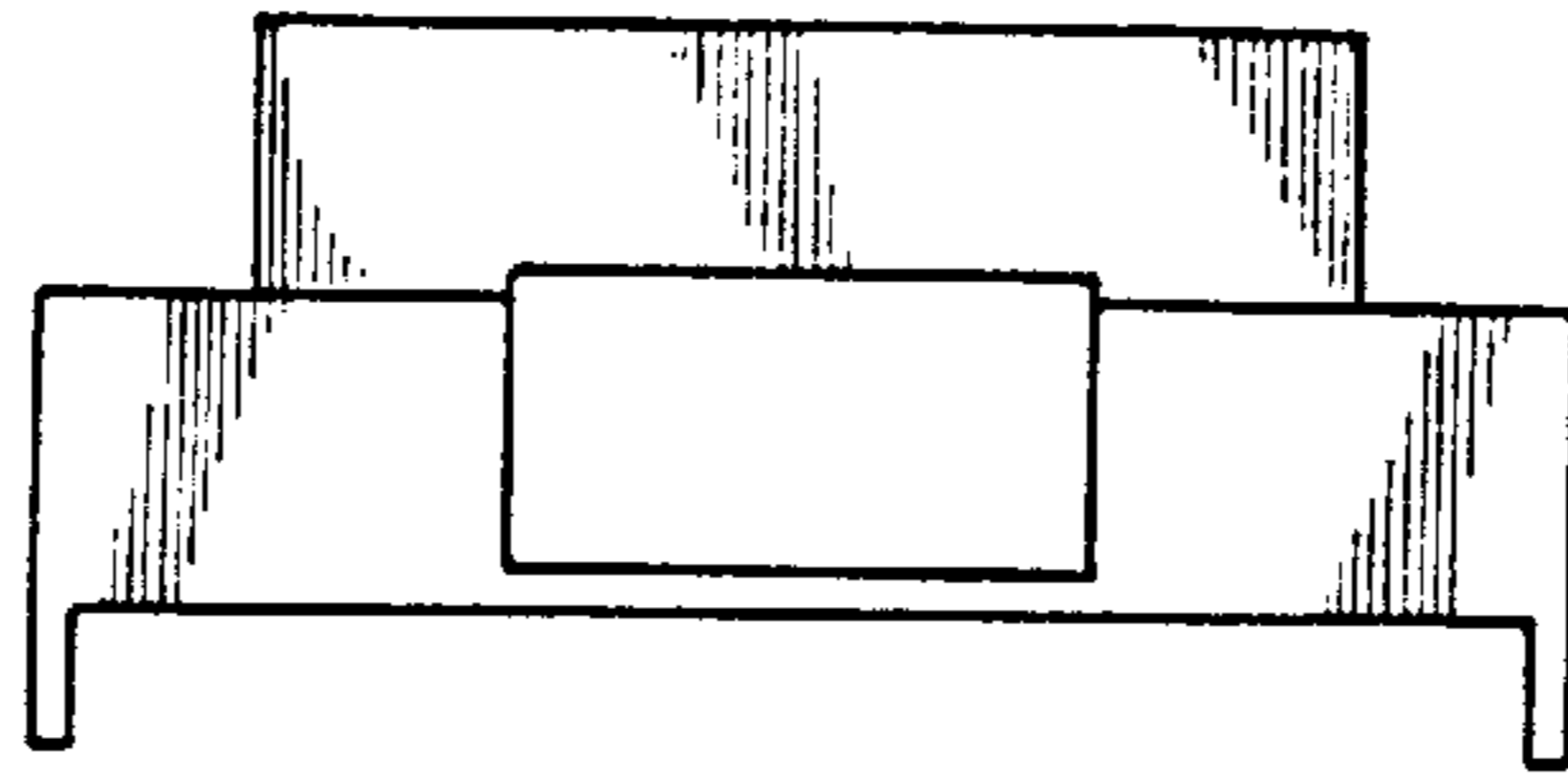


FIG. 2

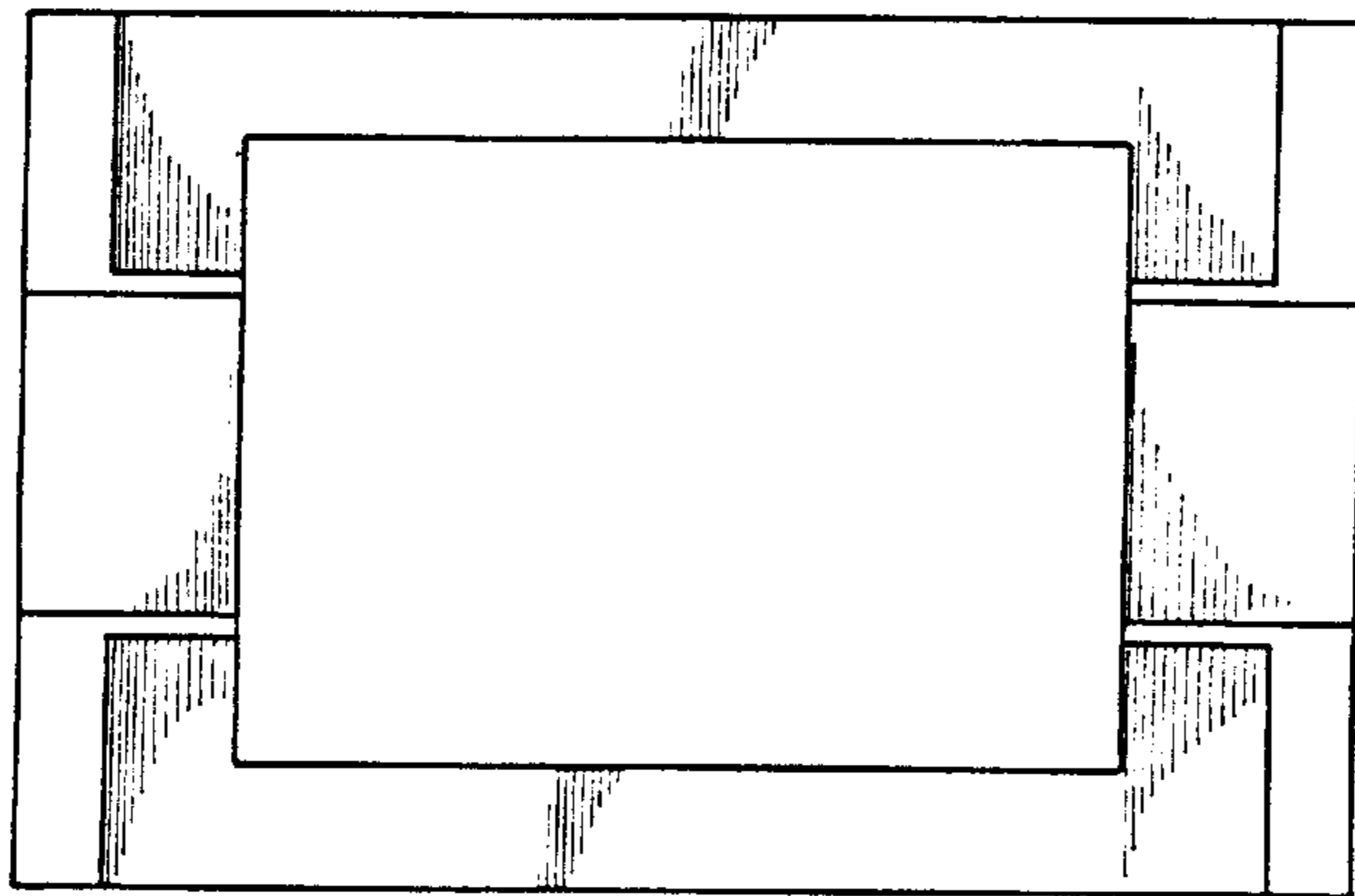


FIG. 3

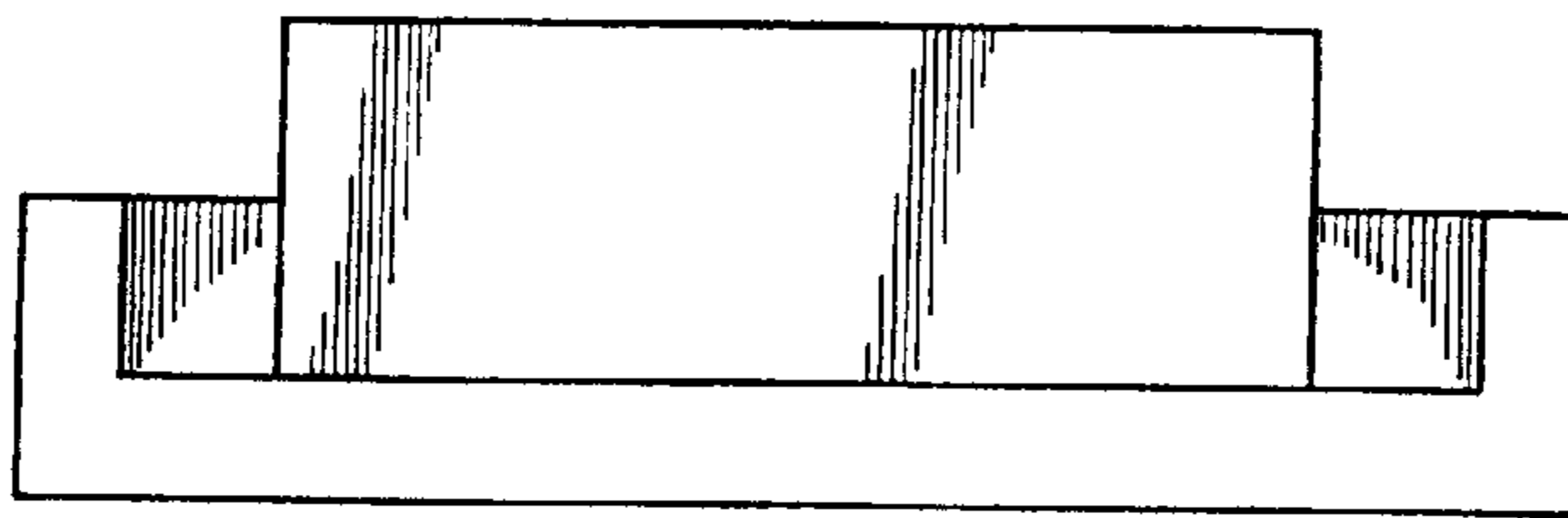


FIG. 4

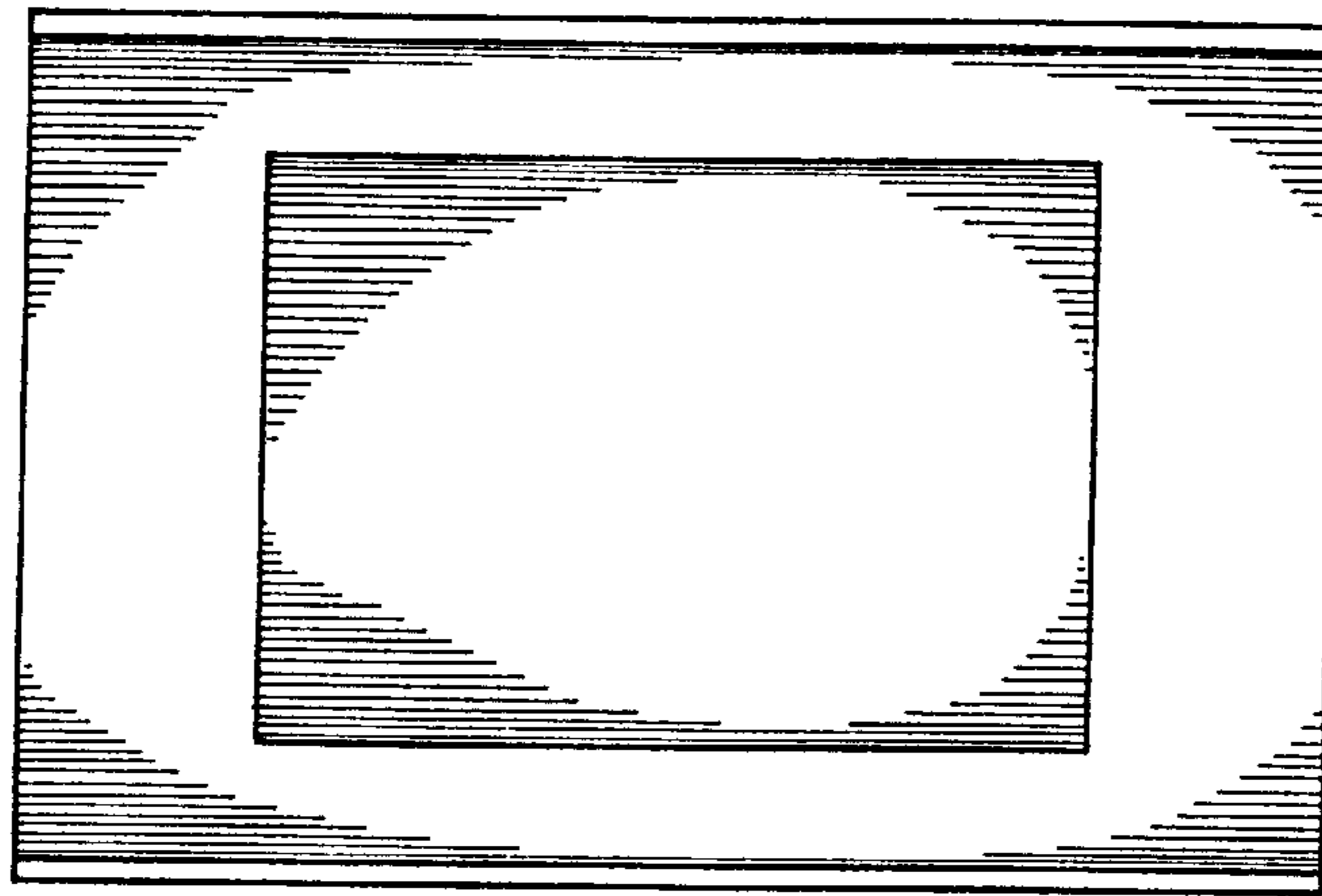


FIG. 5

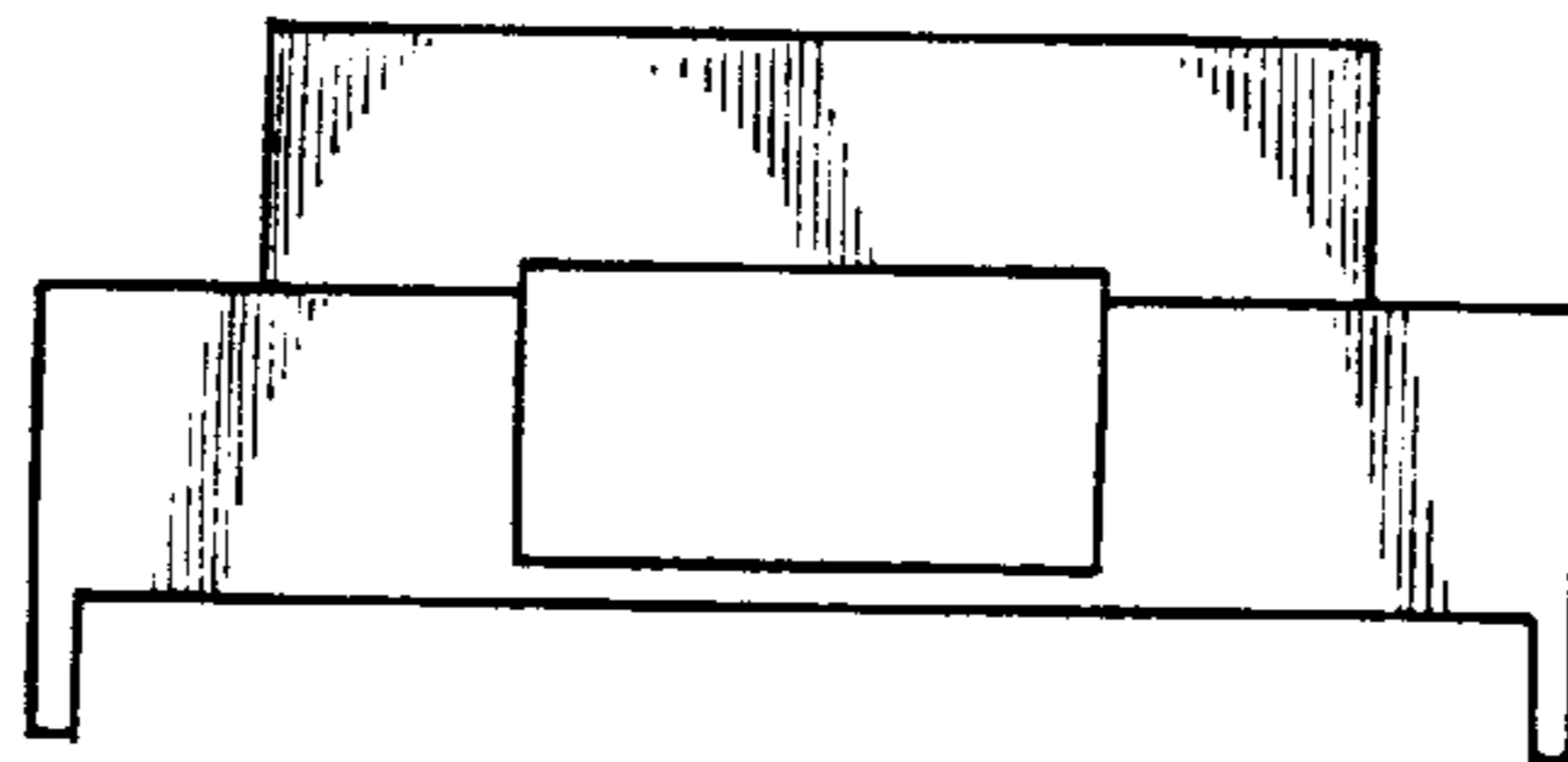


FIG. 6

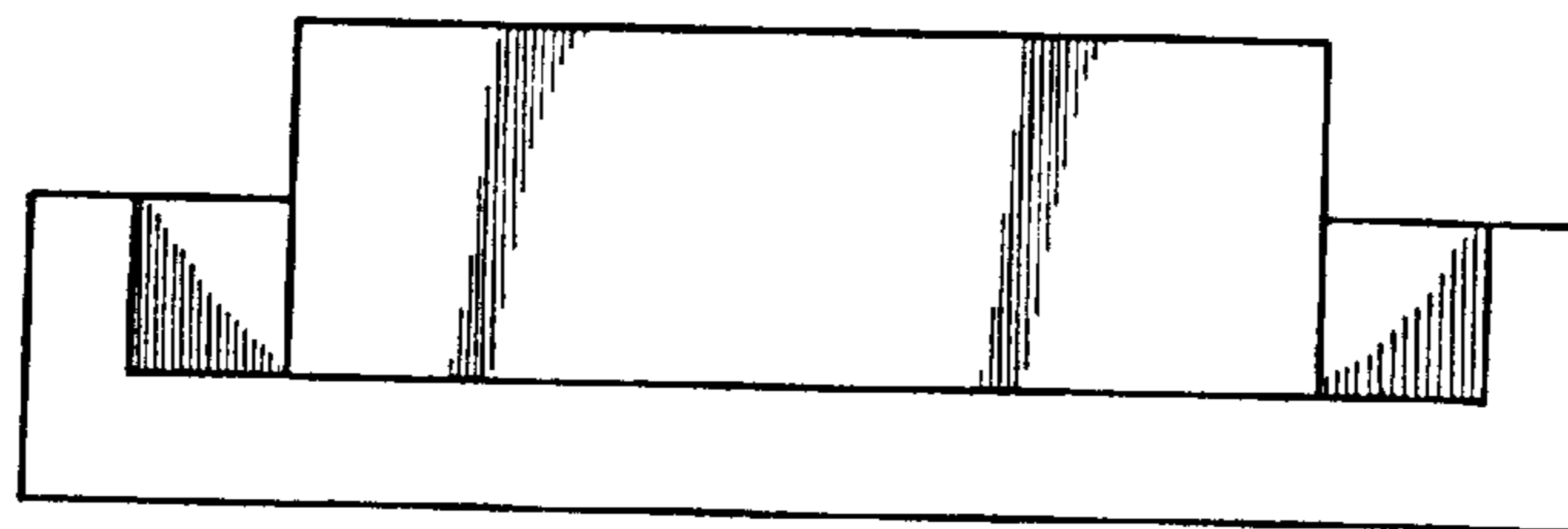


FIG. 7