



US00D430115S

United States Patent [19]

Cole et al.

[11] Patent Number: **Des. 430,115**

[45] Date of Patent: **** Aug. 29, 2000**

[54] **LID FOR BOX CONTAINING ELECTRICAL FILTER**

[75] Inventors: **Bryan R. Cole**, Nichols; **Tanya Vargason**, Vestal; **Andrew L. Gardiner**, Maine, all of N.Y.

[73] Assignee: **Emerson Electric Co.**, St. Louis, Mo.

[**] Term: **14 Years**

[21] Appl. No.: **29/107,157**

[22] Filed: **Jun. 29, 1999**

[51] **LOC (7) Cl.** **13-99**

[52] **U.S. Cl.** **D13/184**

[58] **Field of Search** D13/184, 199, D13/177; 174/82.1, 60; 361/600

[56] **References Cited**

U.S. PATENT DOCUMENTS

- D. 223,253 4/1972 Zecca D13/184
- D. 308,854 6/1990 Furhmann et al. D13/184
- D. 400,513 11/1998 Seirio D13/184

D. 402,275 12/1998 Korhonen D13/184

Primary Examiner—Brian N. Vinson
Attorney, Agent, or Firm—Howrey Simon Arnold & White, LLP

[57] **CLAIM**

The ornamental design for a lid for box containing electrical filter, as shown and described.

DESCRIPTION

FIG. 1 is a first front perspective view of the lid of the present invention, engaged with an exemplary box for containing electrical filter, which is shown in broken lines; FIG. 2 is a front view; FIG. 3 is a side view; FIG. 4 is another side view opposite of that shown in FIG. 3; FIG. 5 is a rear view; FIG. 6 is a top plan view; and, FIG. 7 is a bottom plan view. The box shown in broken lines is for illustrative purposes only and forms no part of the claimed design.

1 Claim, 2 Drawing Sheets

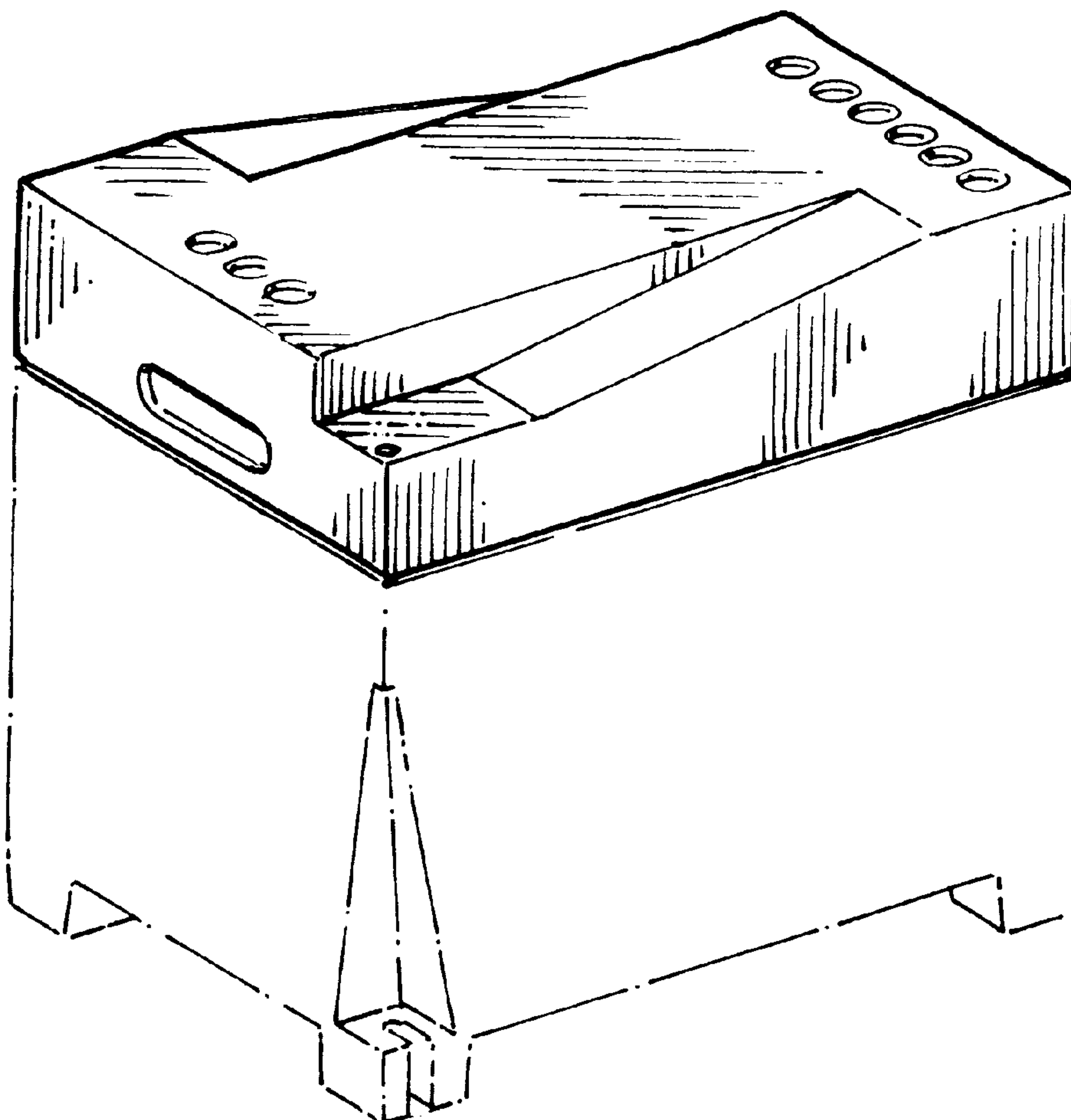


FIG. 1

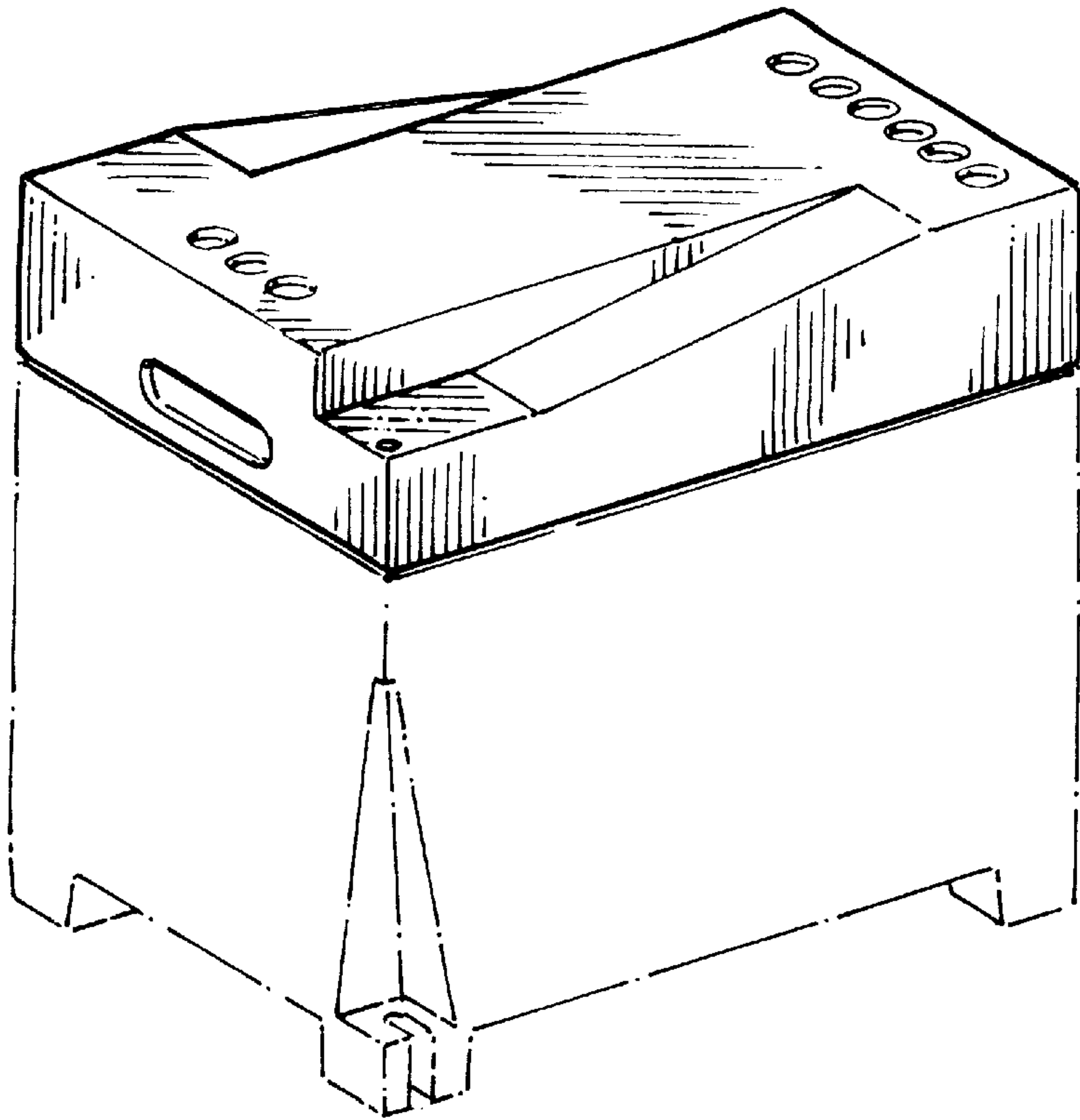


FIG. 2

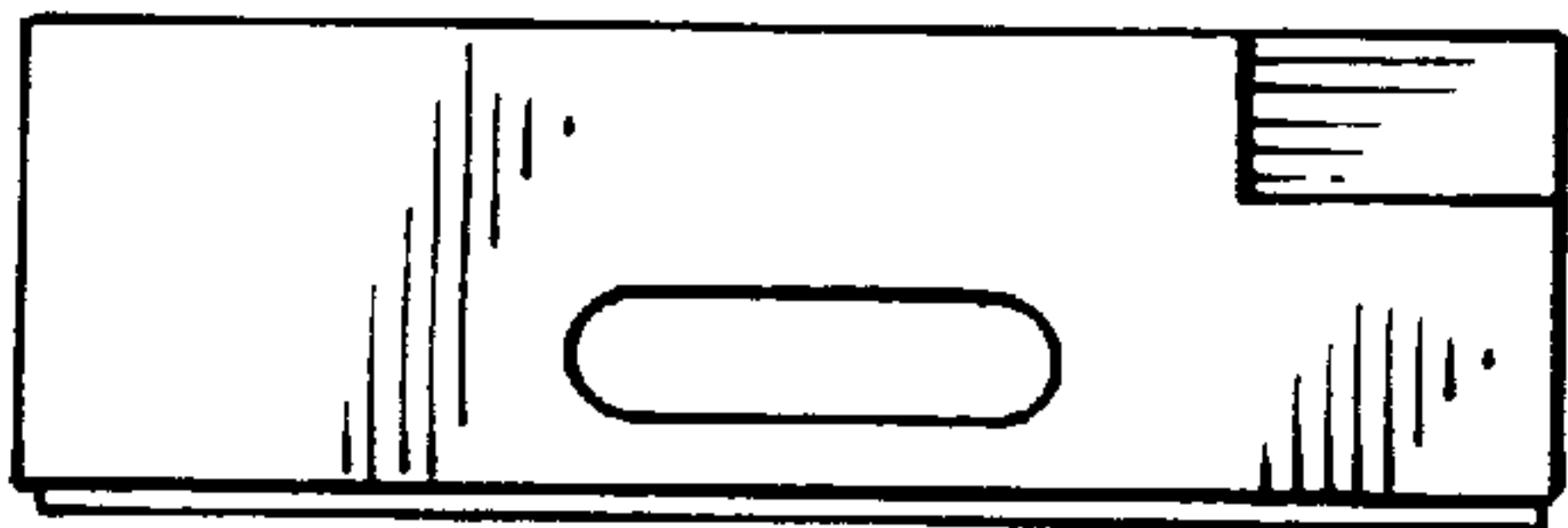
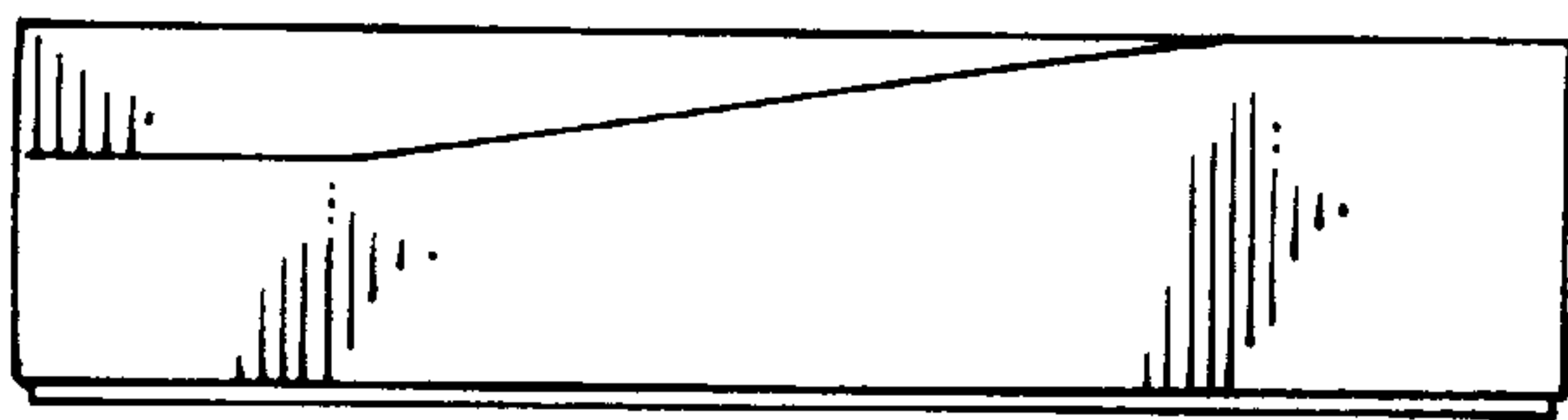


FIG. 3

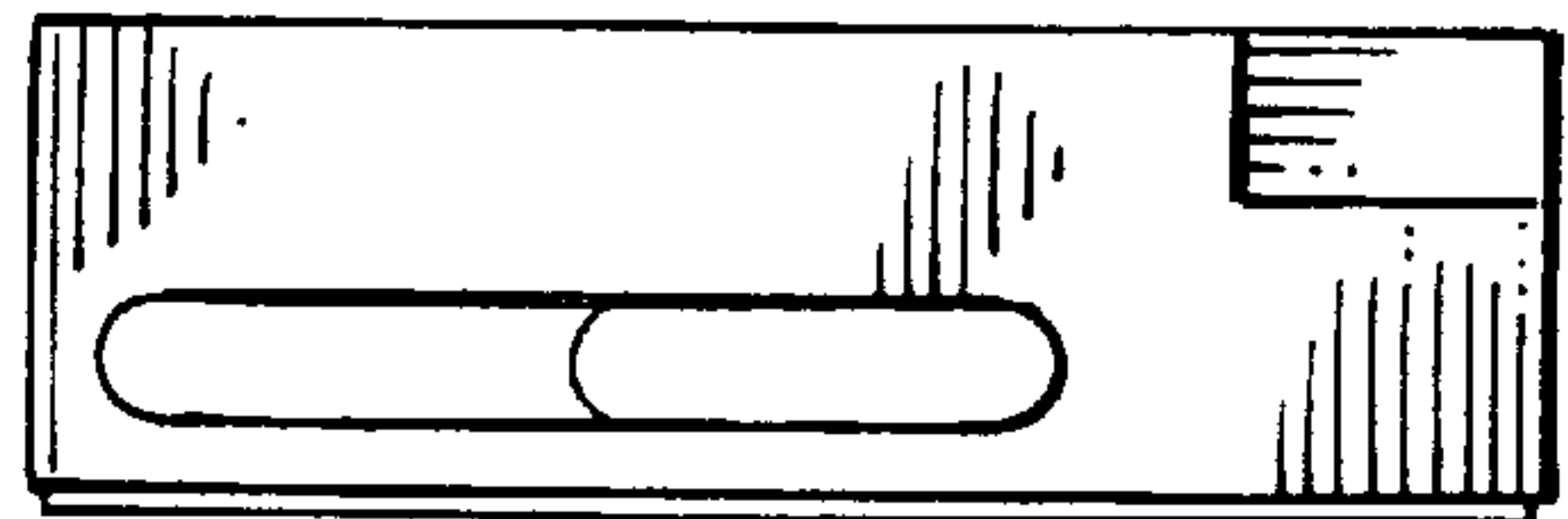


FIG. 4

FIG. 5

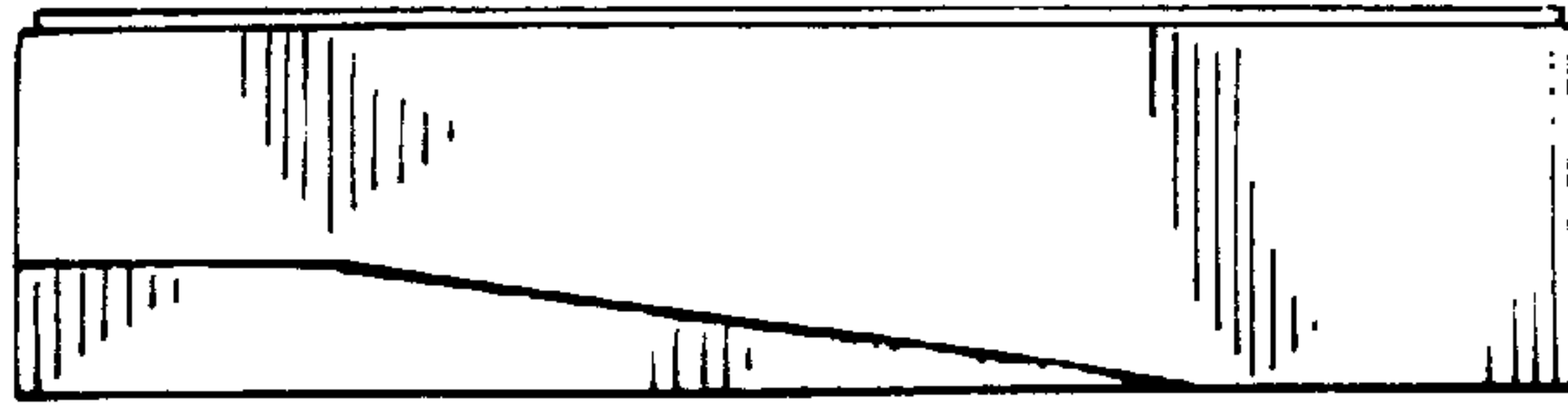


FIG. 6

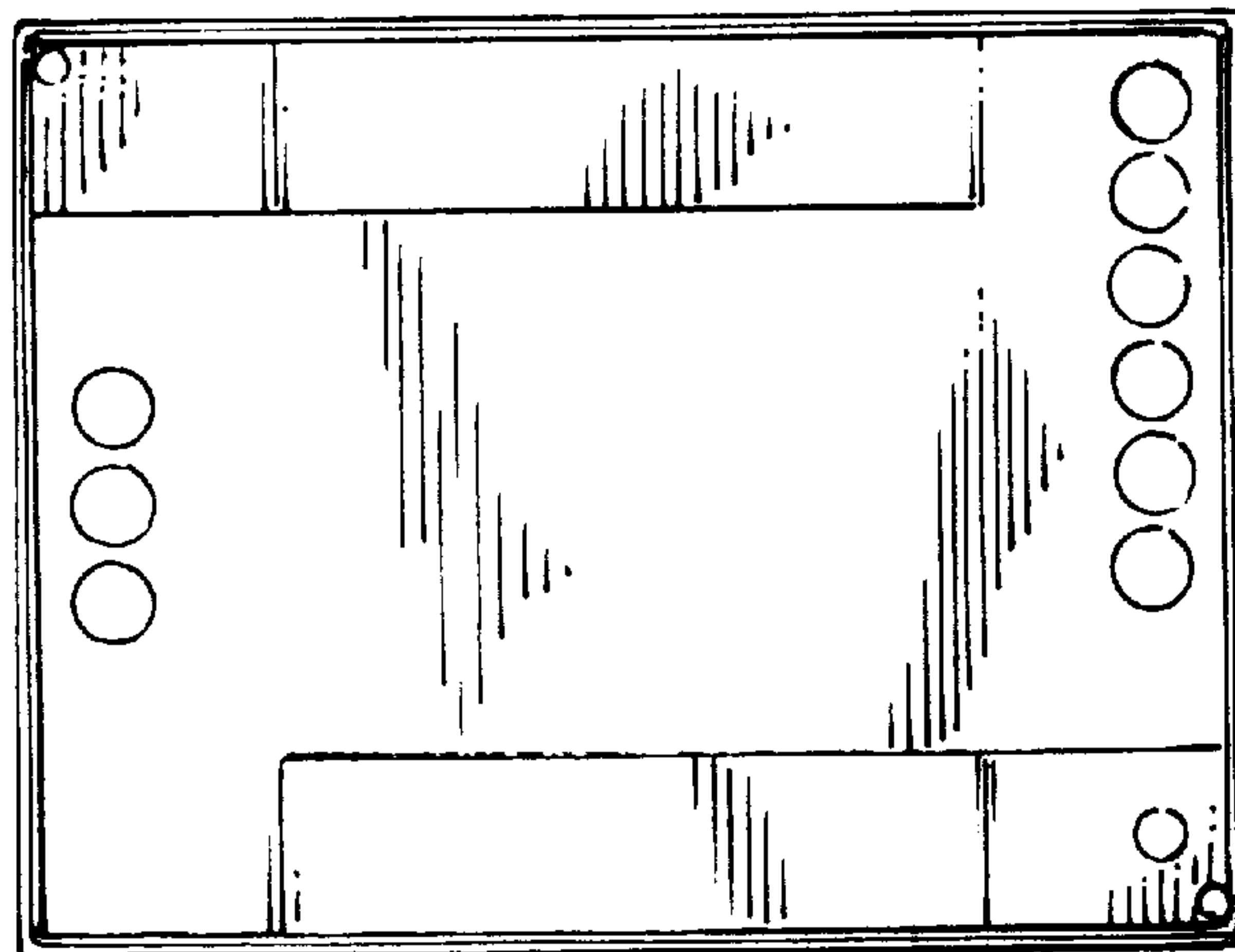
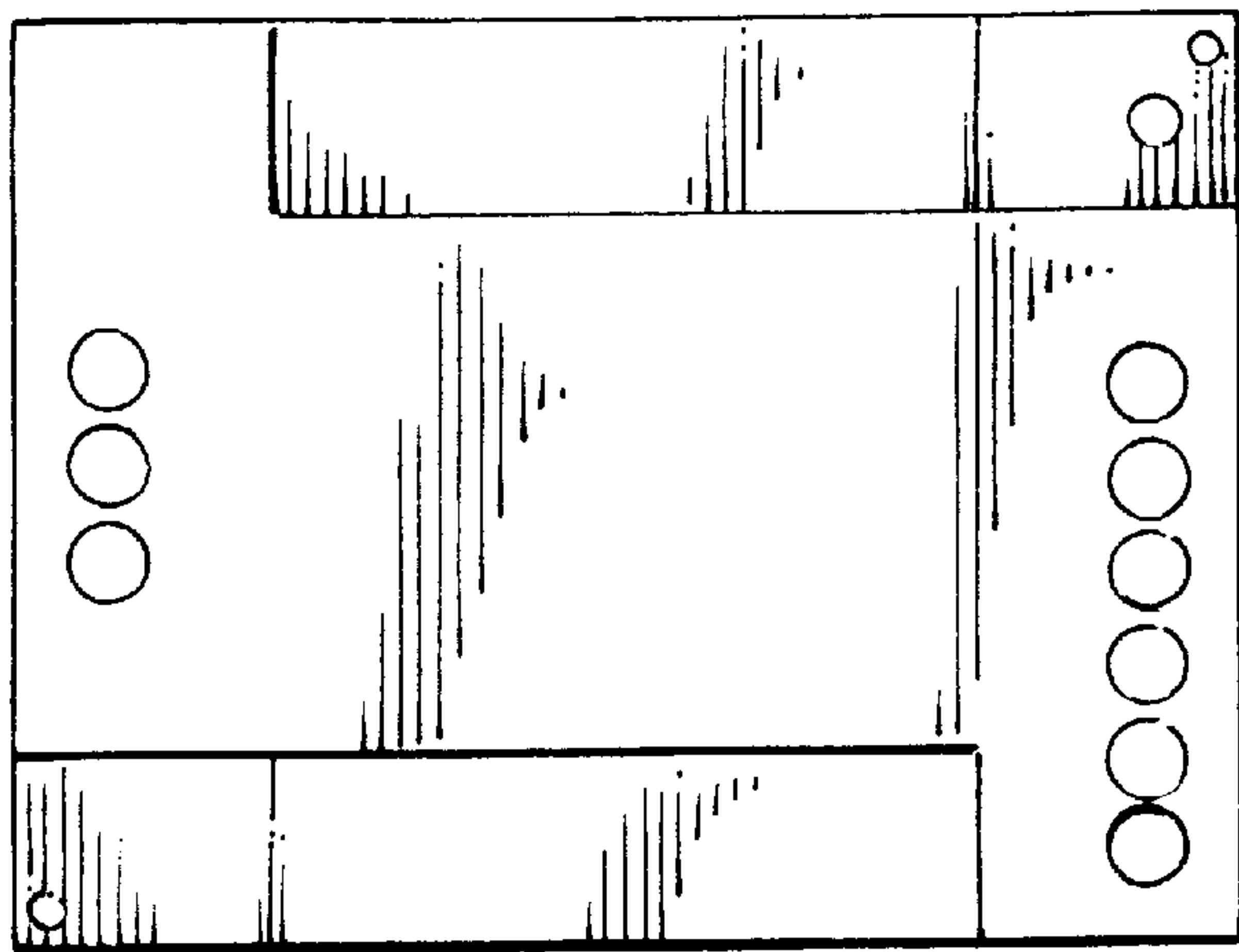


FIG. 7