



US00D430110S

United States Patent [19] Arai

[11] **Patent Number: Des. 430,110**

[45] **Date of Patent: ** Aug. 29, 2000**

[54] **ELECTRICAL CONNECTOR**

[75] Inventor: **Junichi Arai**, Isesaki, Japan

[73] Assignee: **Hosiden Corporation**, Osaka, Japan

[**] Term: **14 Years**

[21] Appl. No.: **29/115,607**

[22] Filed: **Dec. 20, 1999**

[51] **LOC (7) Cl.** **13-02**

[52] **U.S. Cl.** **D13/147**

[58] **Field of Search** D13/146, 147;
439/677, 694, 844, 854, 855

[56] **References Cited**

U.S. PATENT DOCUMENTS

D. 349,099	7/1994	Robertson, Jr. et al.	D13/147
D. 415,111	10/1999	Lee	D13/154
D. 419,525	1/2000	Arai	D13/147
3,141,718	7/1964	Schott et al.	439/582

Primary Examiner—Joel Sincavage

Attorney, Agent, or Firm—Jones, Tullar & Cooper, P.C.

[57] **CLAIM**

The ornamental design for an electrical connector, as shown and described.

DESCRIPTION

FIG. 1 is a front elevation view of an electrical connector showing my new design;
 FIG. 2 is a rear elevation view thereof;
 FIG. 3 is a top plan view thereof;
 FIG. 4 is a bottom plan view thereof;
 FIG. 5 is a left side view thereof;
 FIG. 6 is a right side view thereof;
 FIG. 7 is a front elevation view of an electrical connector showing a second embodiment of my new design;
 FIG. 8 is a rear elevation view thereof;
 FIG. 9 is a top plan view thereof;
 FIG. 10 is a bottom plan view thereof;
 FIG. 11 is a left side view thereof; and,
 FIG. 12 is a right side view thereof.

1 Claim, 4 Drawing Sheets

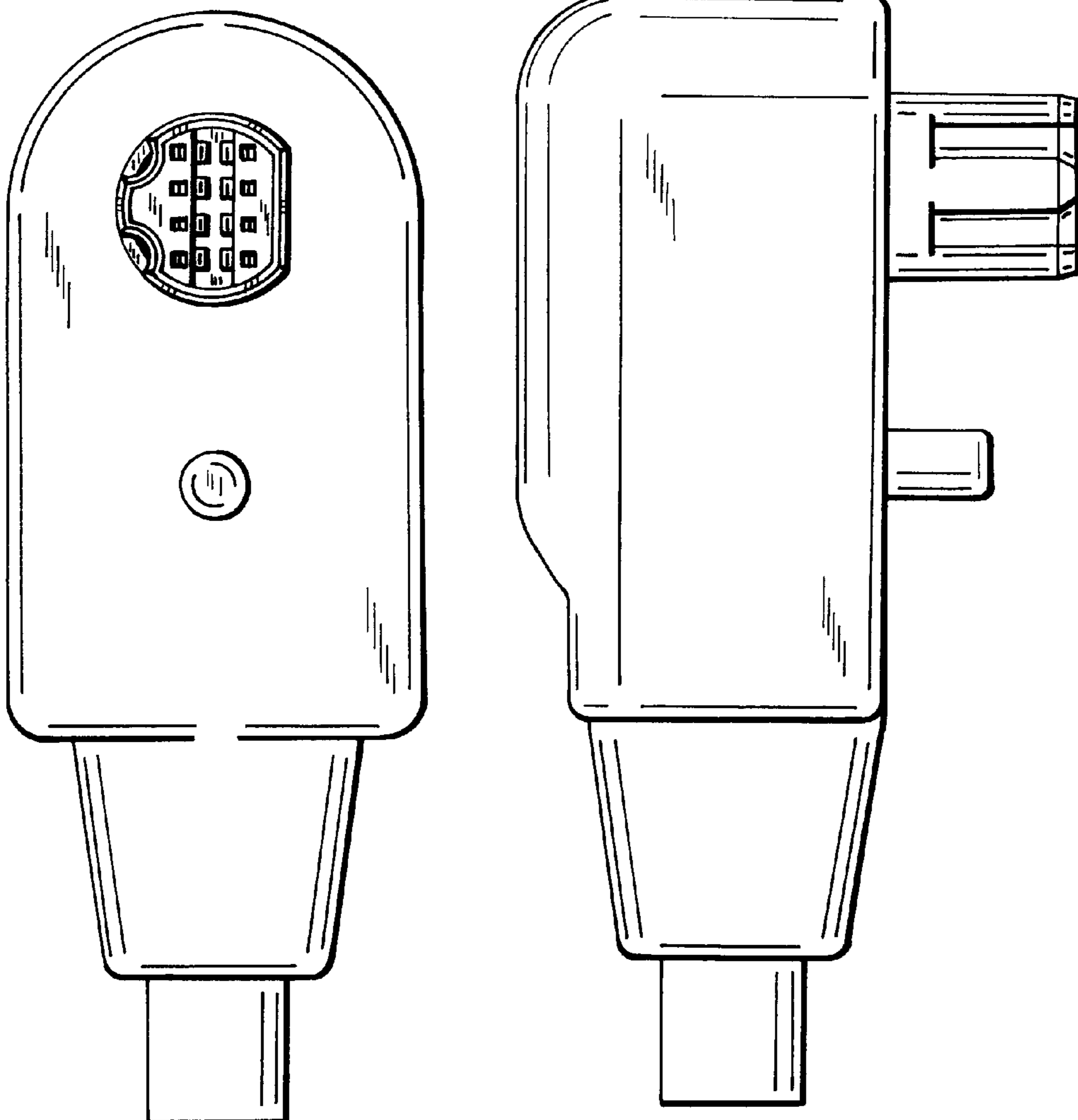


Fig. 1

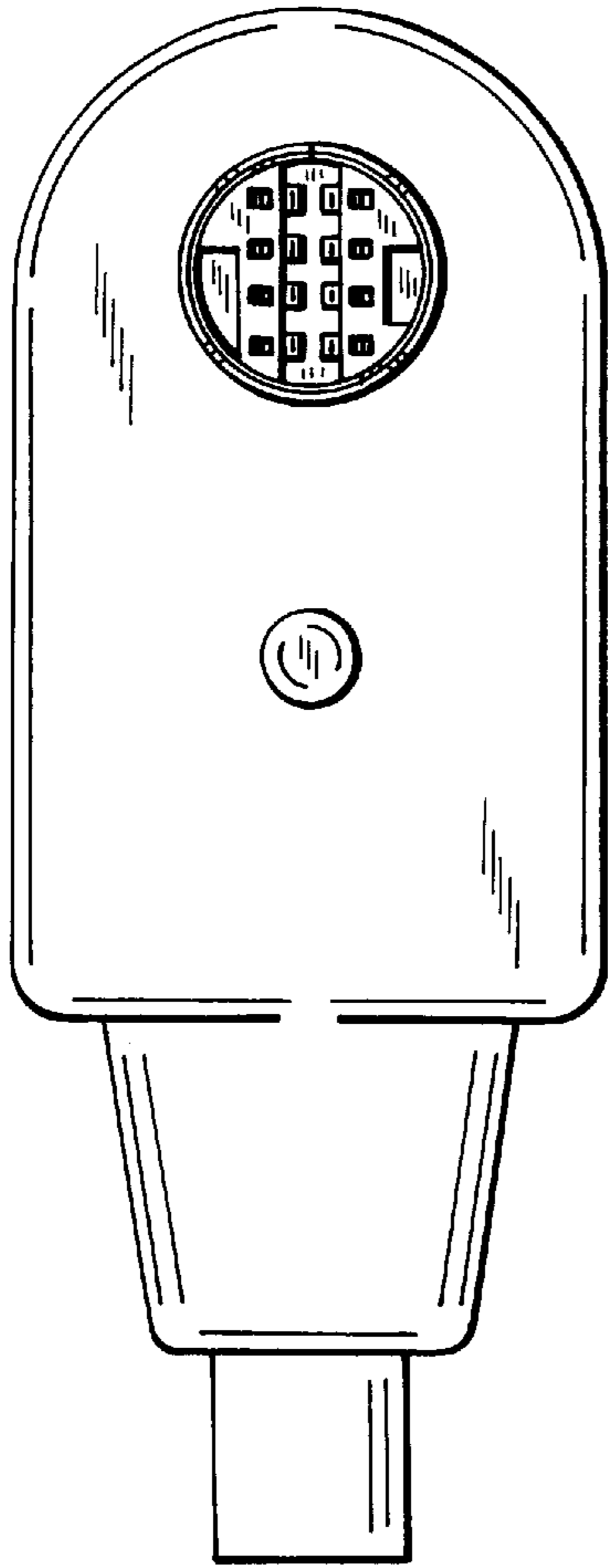


Fig. 2

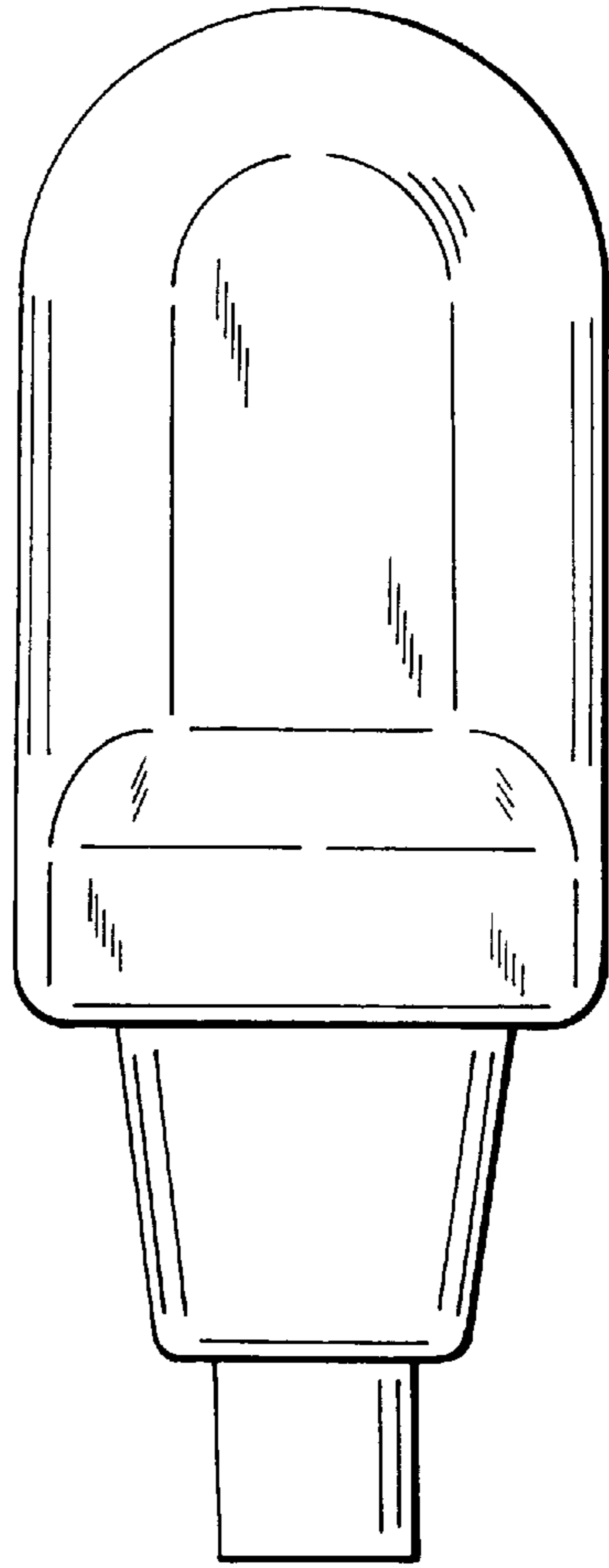


Fig. 3

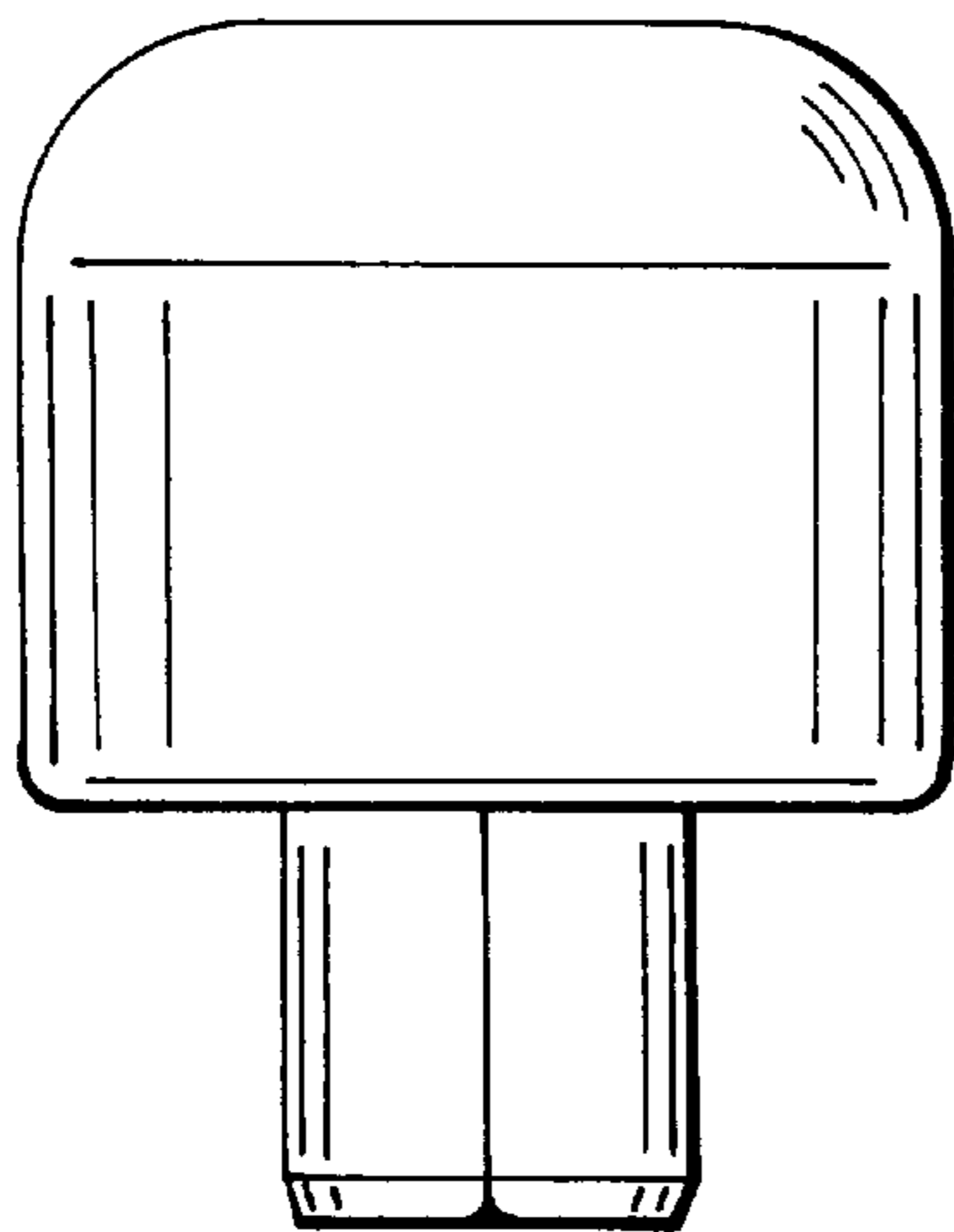


Fig. 4

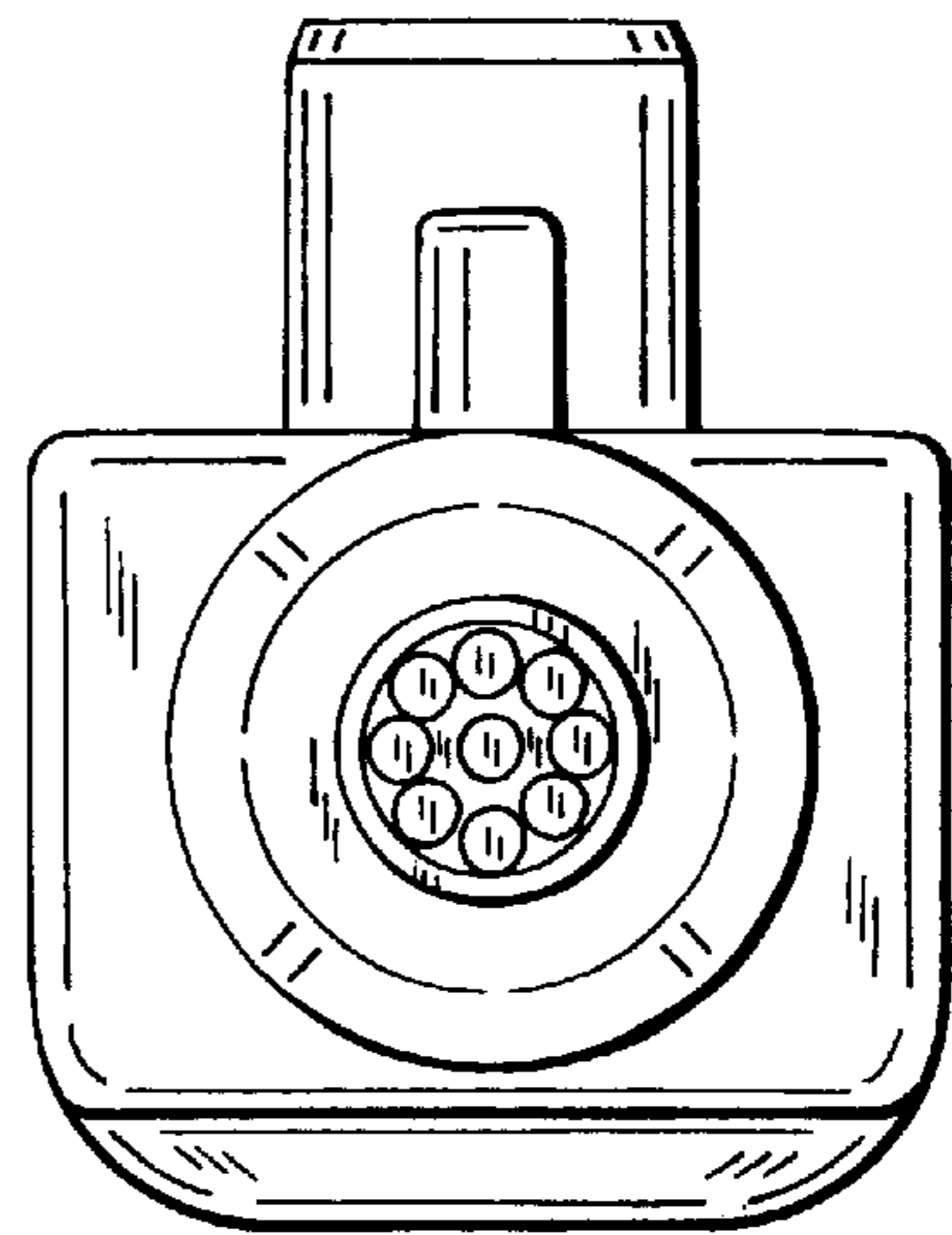


Fig. 5

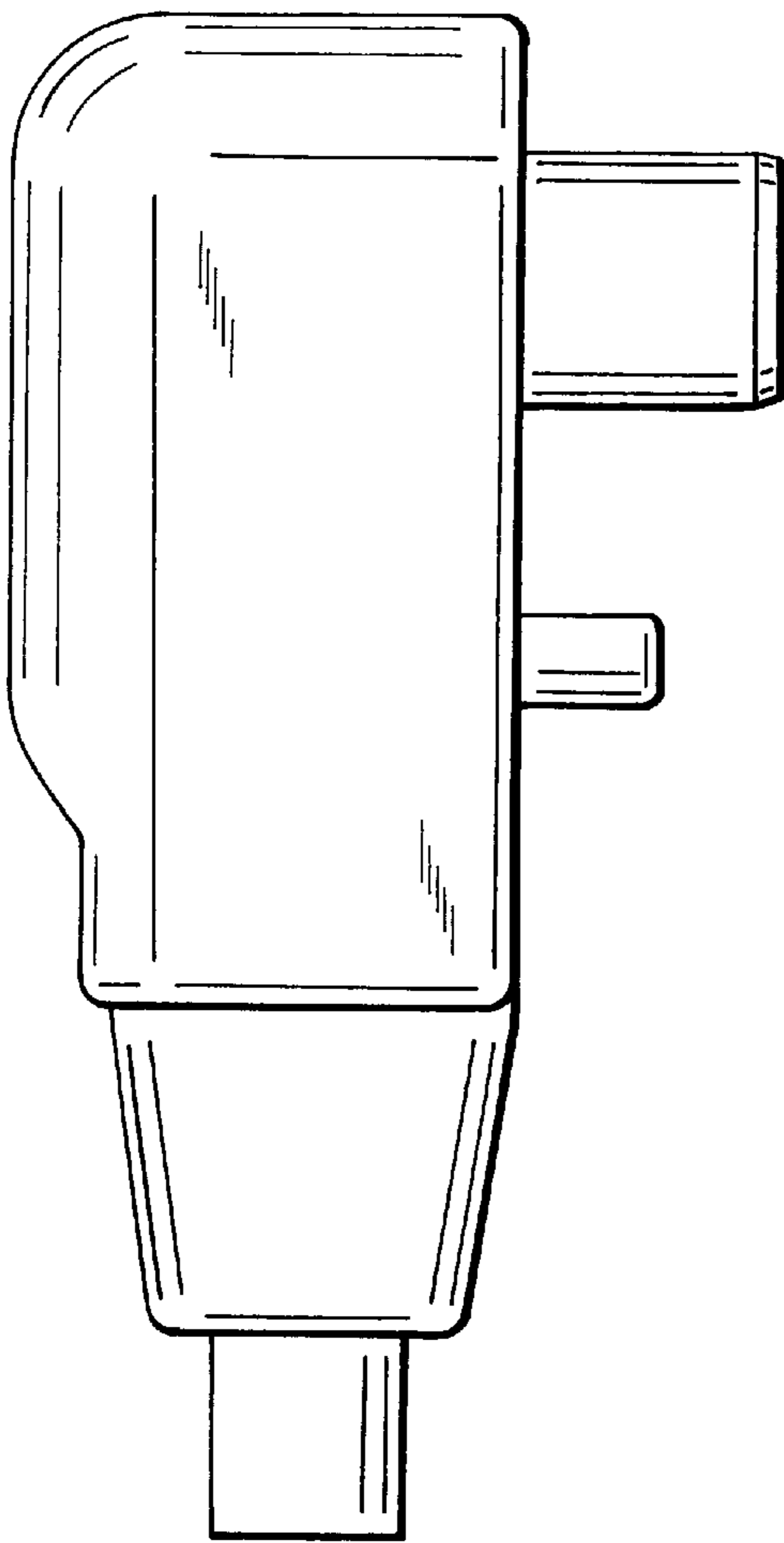


Fig. 6

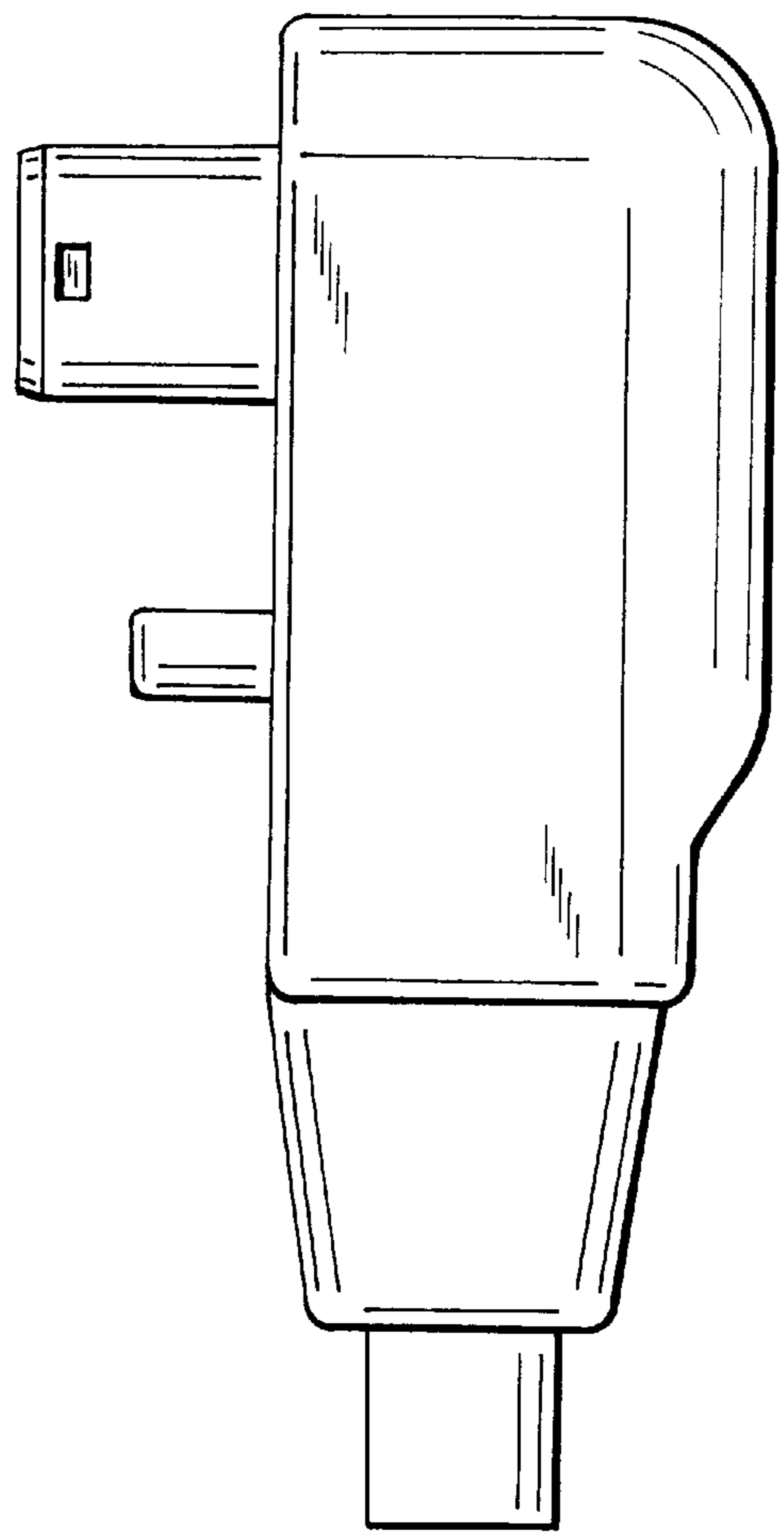


Fig. 7

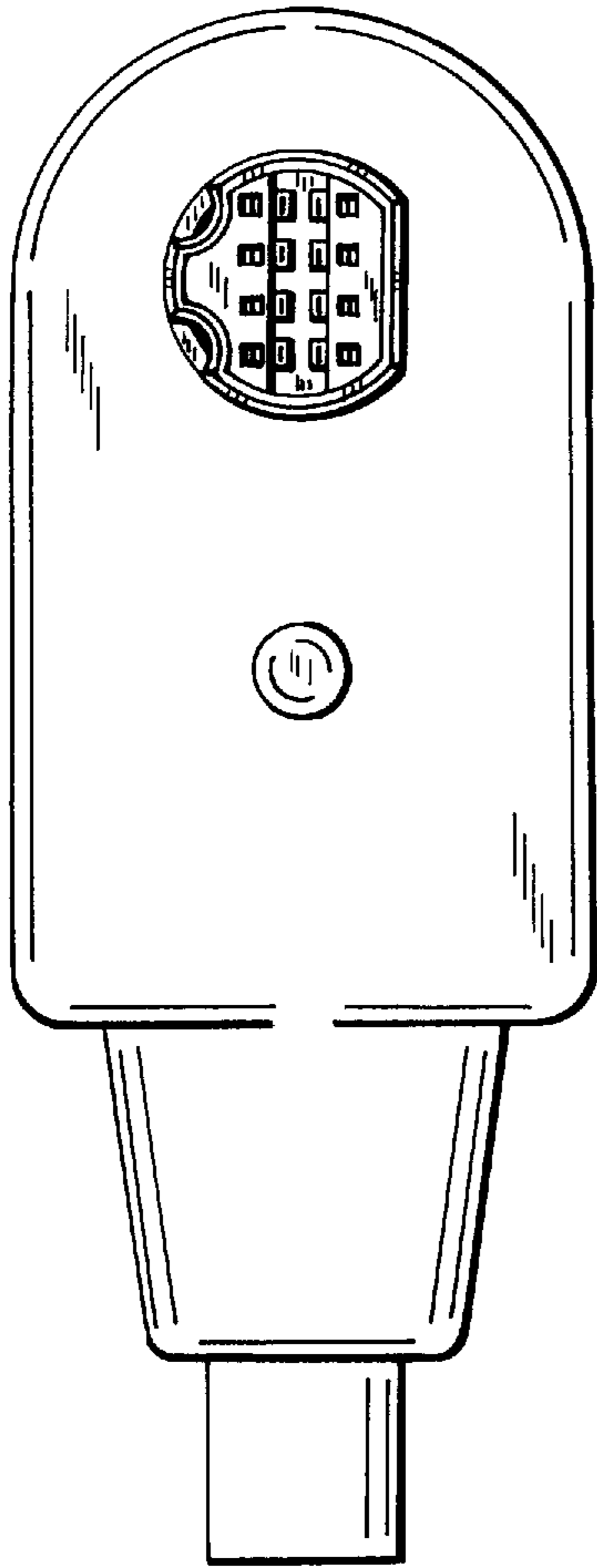


Fig. 8

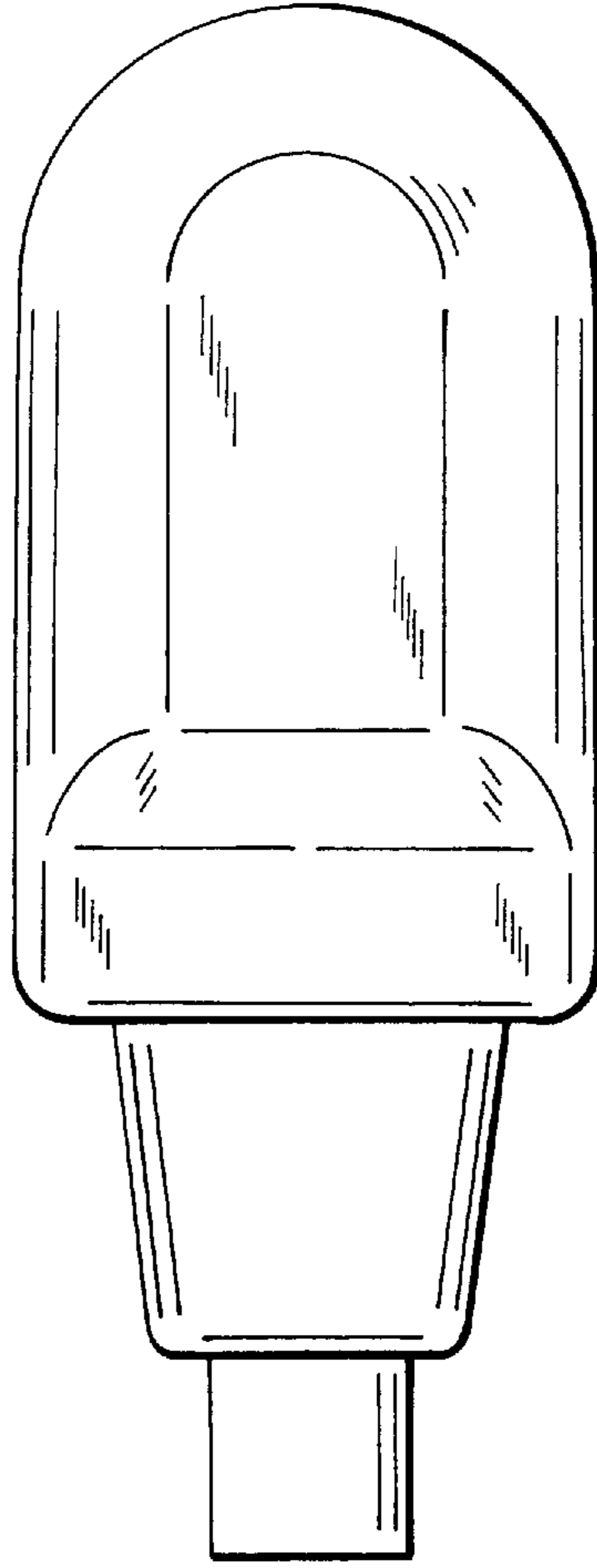


Fig. 9

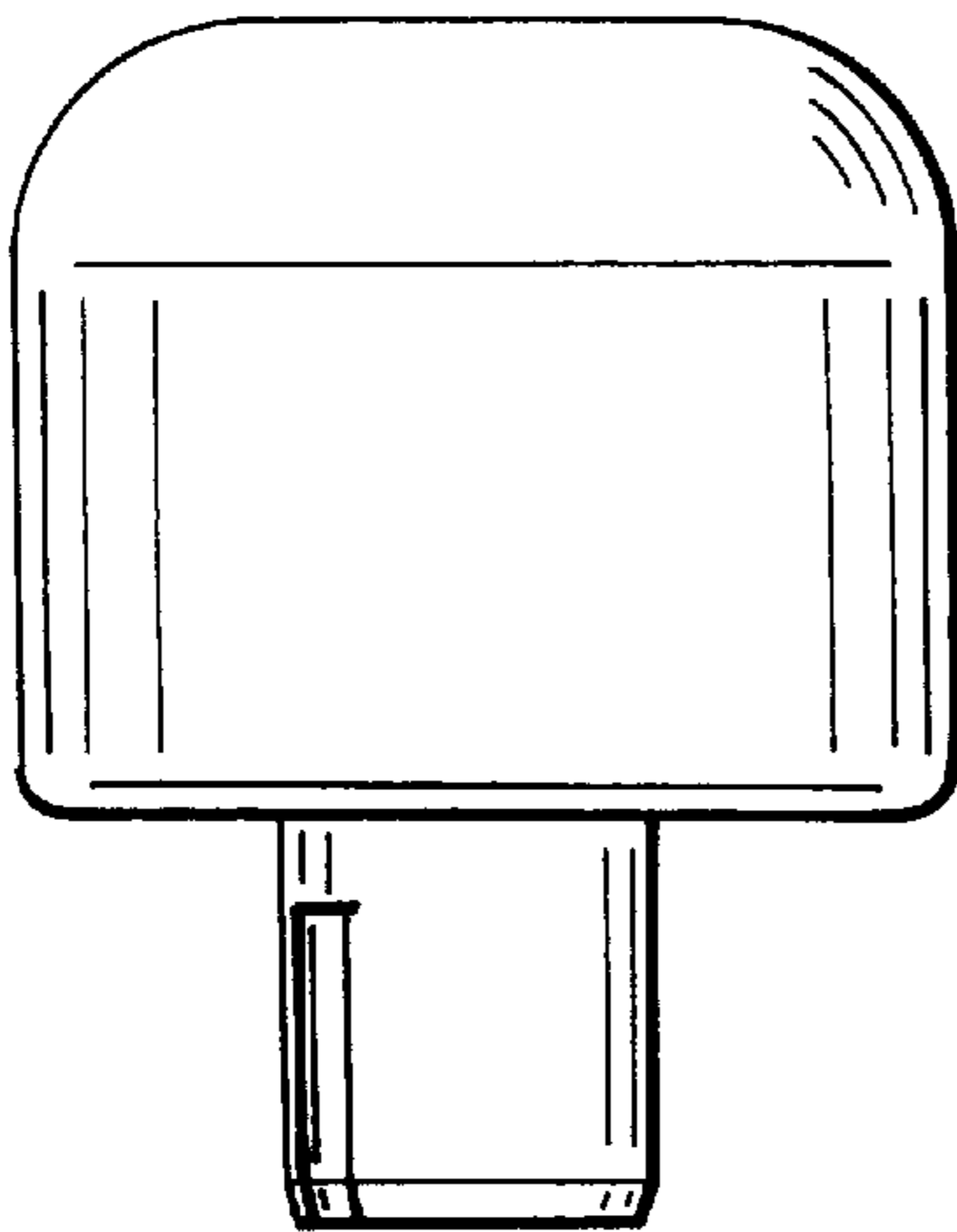


Fig. 10

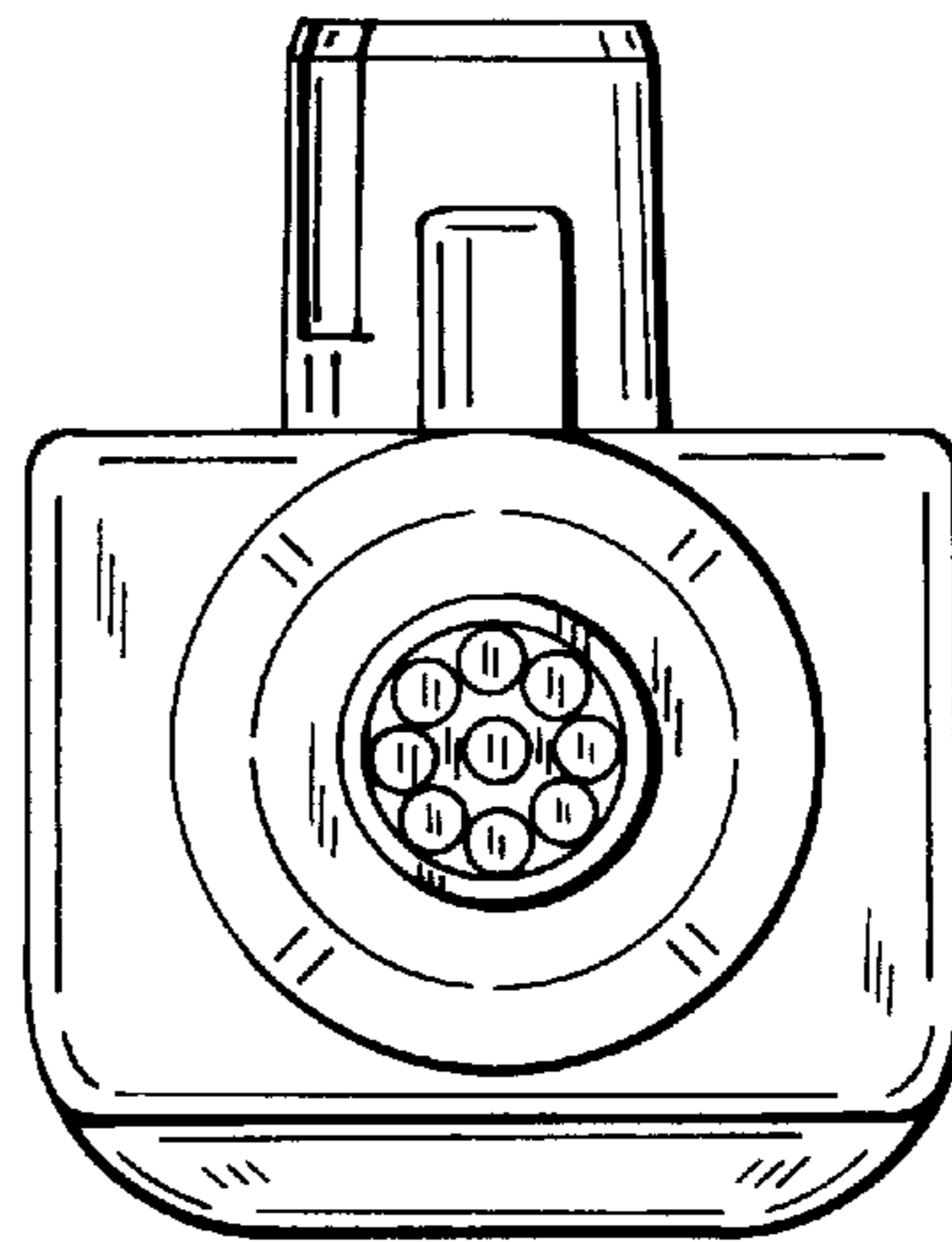


Fig. 11

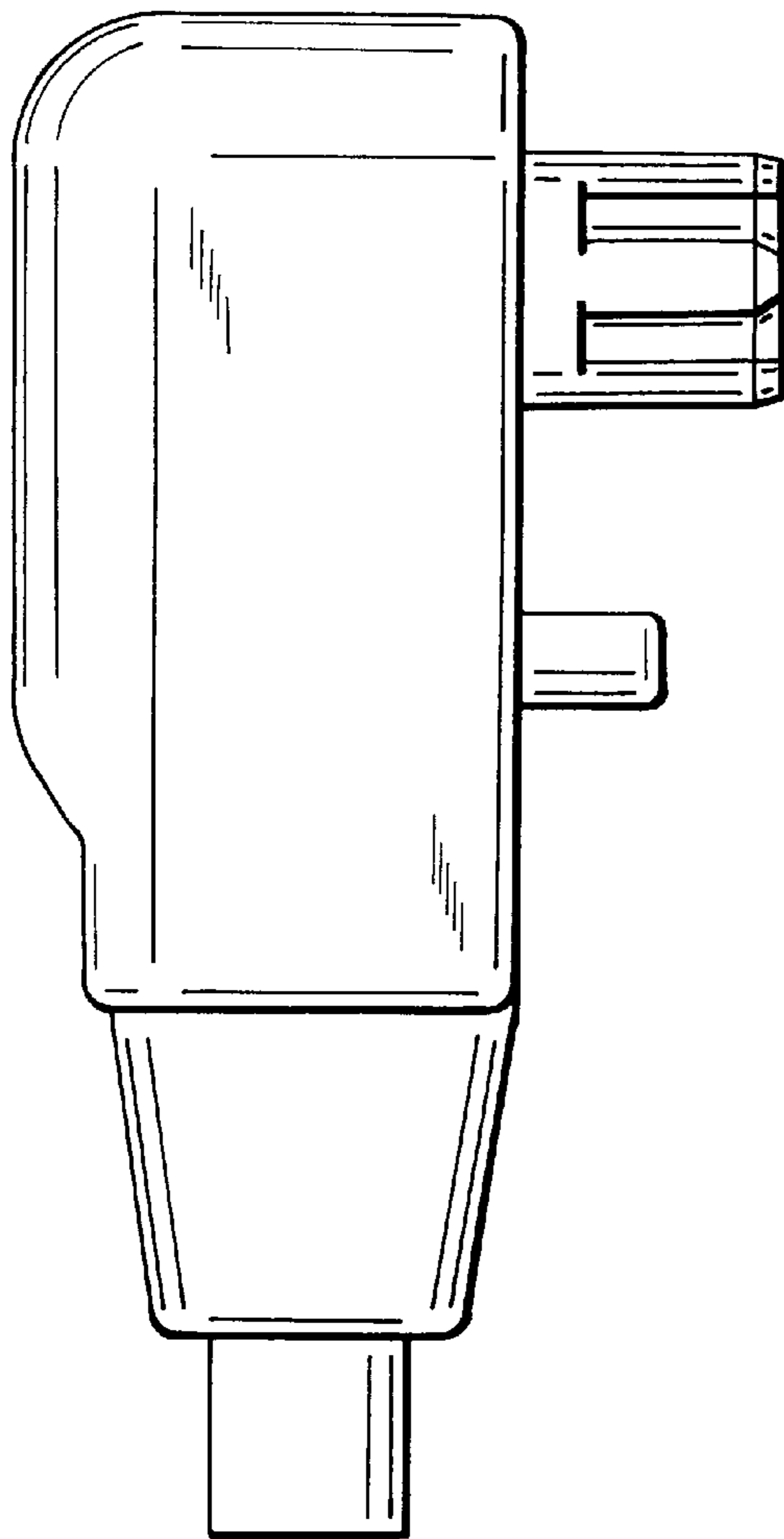


Fig. 12

