



US00D430107S

United States Patent [19] Taylor

[11] **Patent Number: Des. 430,107**

[45] **Date of Patent: ** Aug. 29, 2000**

[54] **COMBINED OUTLET ADAPTER WITH BATTERY BACK-UP**

[76] Inventor: **Mary J Taylor**, 122 Otta Dr., Lodi, Calif. 95240

[**] Term: **14 Years**

[21] Appl. No.: **29/109,665**

[22] Filed: **Aug. 19, 1999**

[51] **LOC (7) Cl.** **13-02**

[52] **U.S. Cl.** **D13/110**

[58] **Field of Search** D13/103, 110,
D13/107; 363/143, 146

[56] **References Cited**

U.S. PATENT DOCUMENTS

D. 263,465	3/1982	Fathi	D13/110
D. 292,697	11/1987	Rauch	D13/110
D. 381,624	7/1997	Muller et al.	D13/110
4,543,624	9/1985	Rumble	363/146

5,615,103 3/1997 Steindam 363/146

Primary Examiner—Joel Sincavage

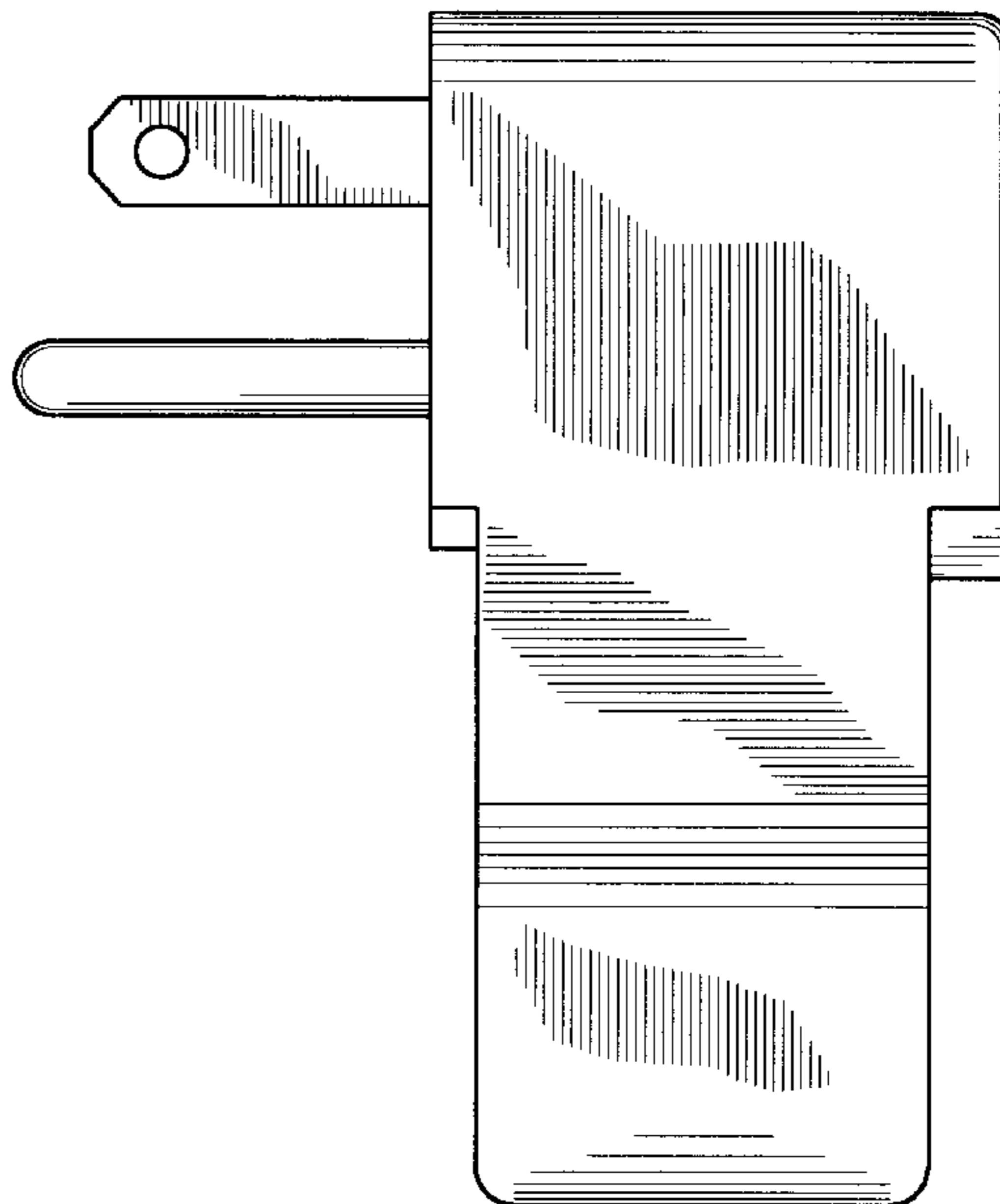
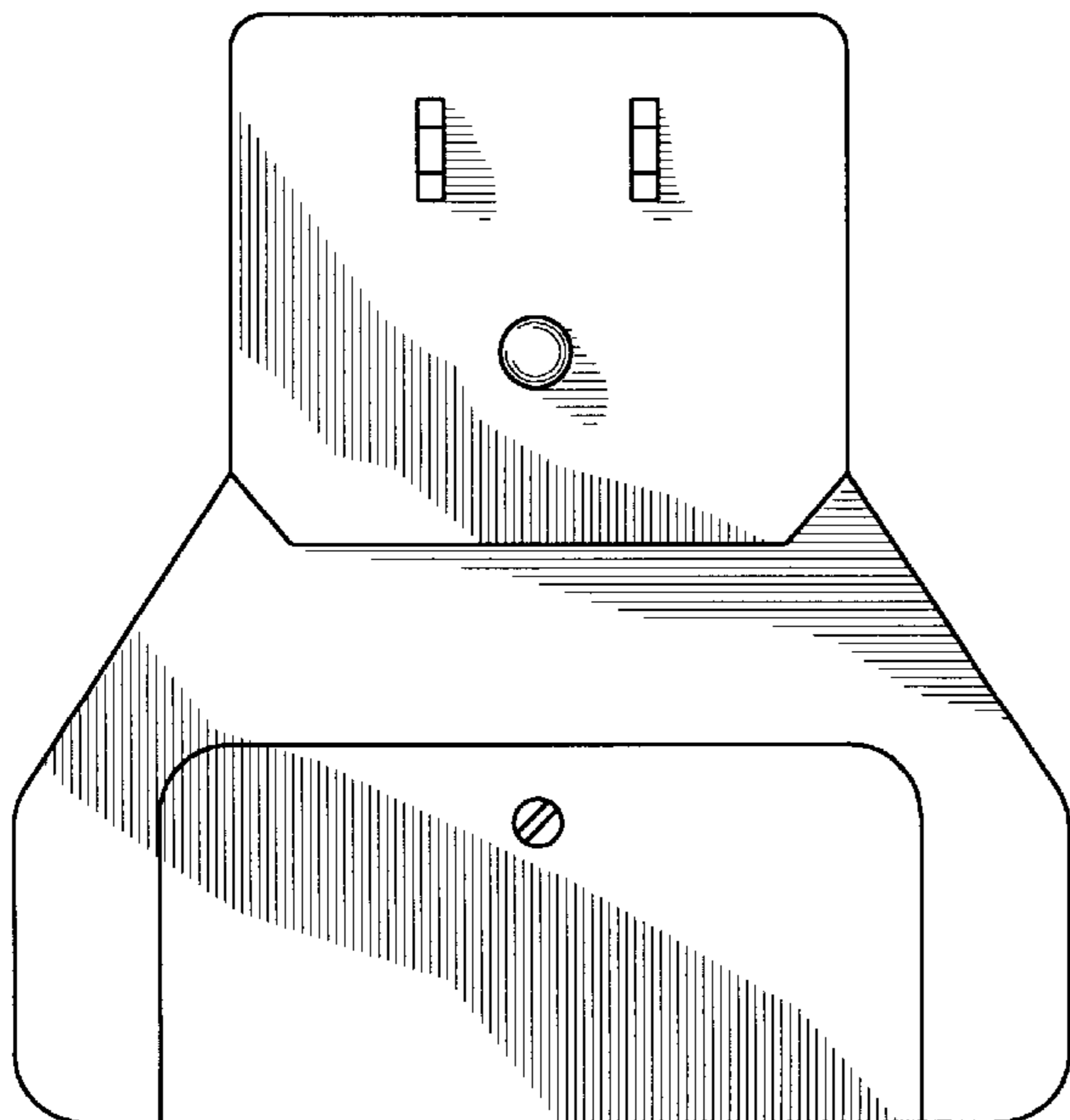
[57] **CLAIM**

The ornamental design for a combined outlet adapter with battery back-up, as shown and described.

DESCRIPTION

FIG. 1 is a front elevational view of the combined outlet adapter with battery back-up of the present invention; FIG. 2 is a rear elevational view of the combined outlet adapter with battery back-up of FIG. 1; FIG. 3 is a left side elevational view of the combined outlet adapter with battery back-up of FIG. 1; FIG. 4 is a right side elevational view of the combined outlet adapter with battery back-up of FIG. 1; FIG. 5 is a top plan view of the combined outlet adapter with battery back-up of FIG. 1; and, FIG. 6 is a bottom plan view of the combined outlet adapter with battery back-up of FIG. 1.

1 Claim, 3 Drawing Sheets



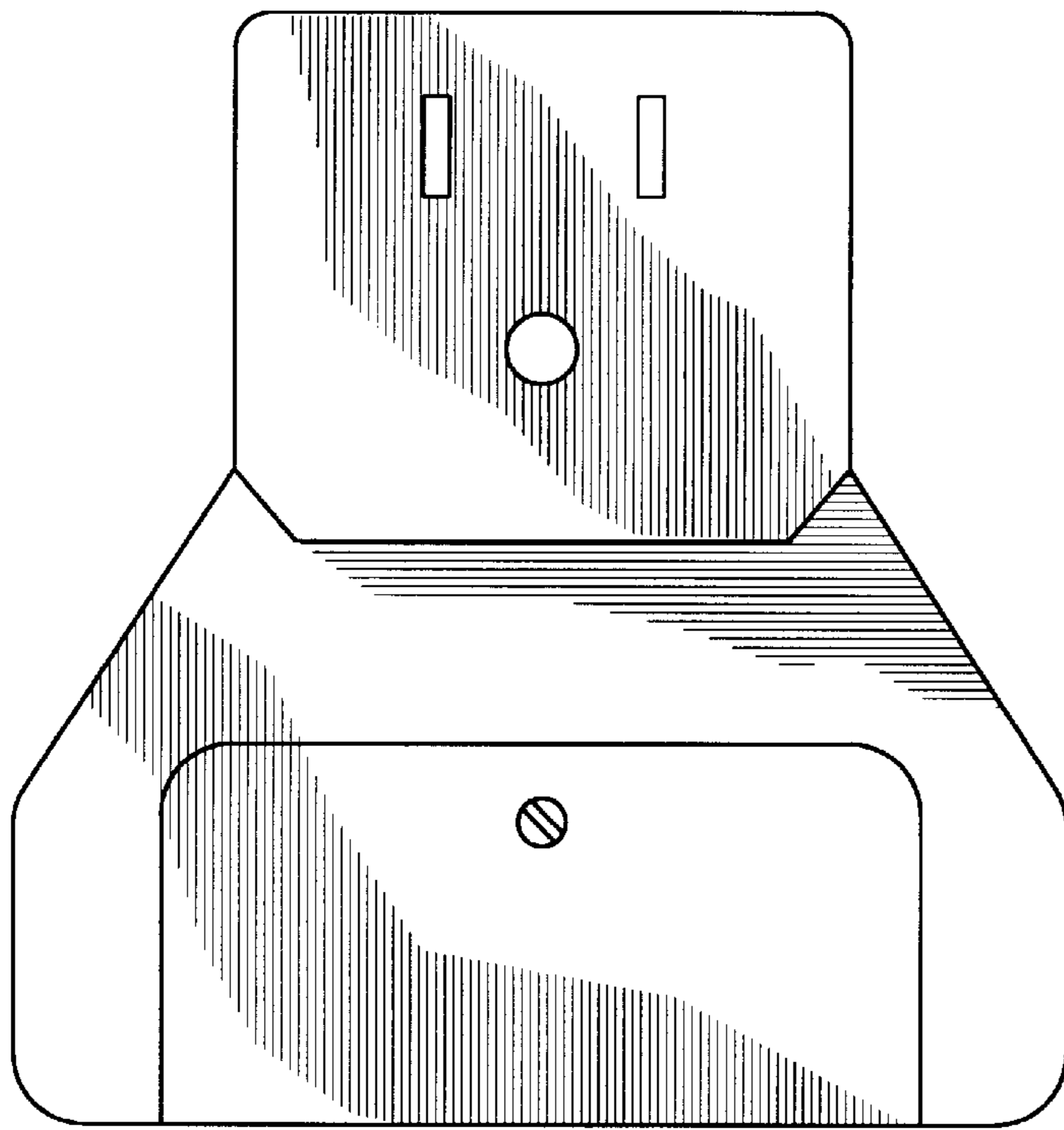
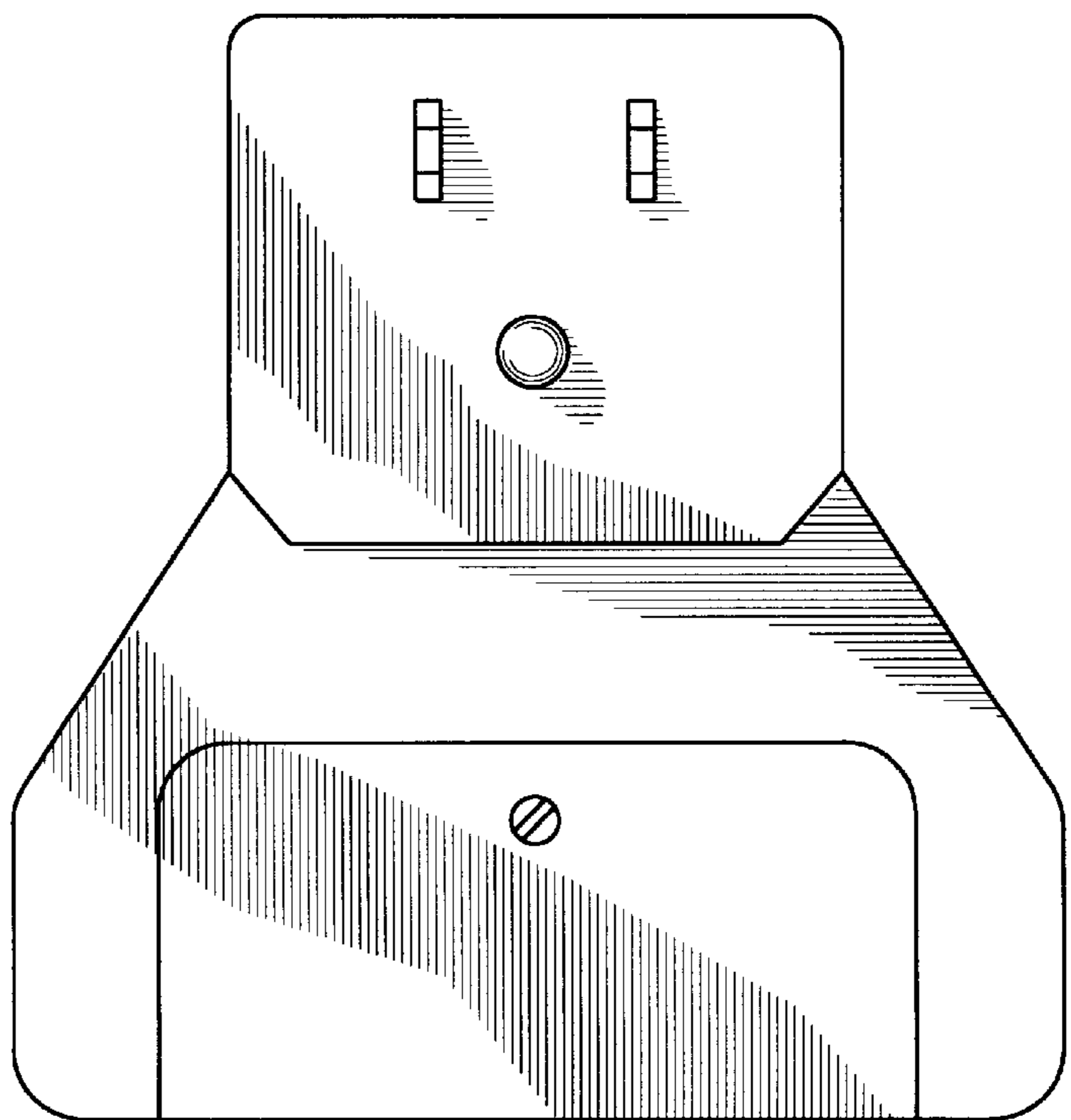


FIG. 1

FIG. 2



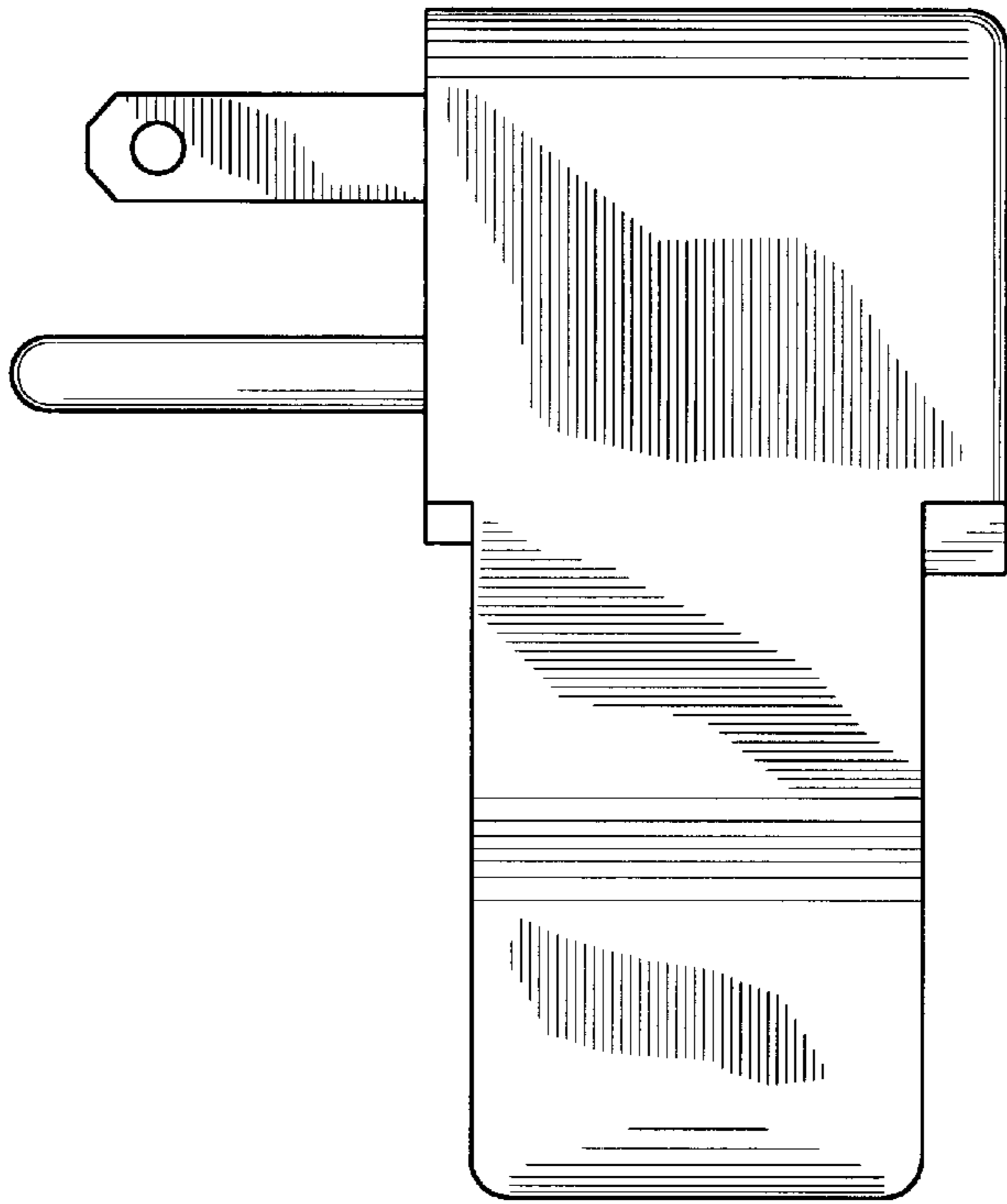


FIG. 3

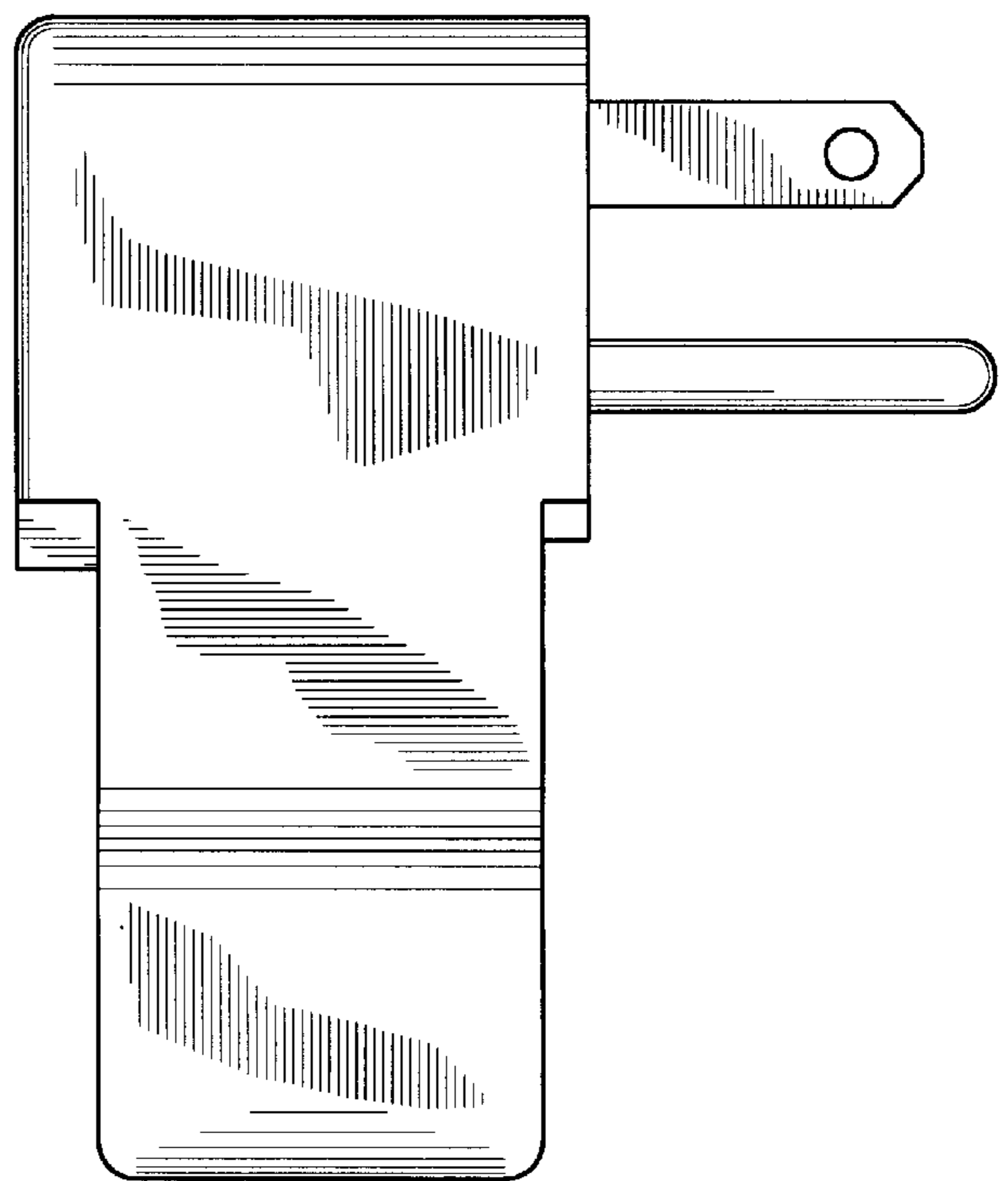


FIG. 4

FIG. 5

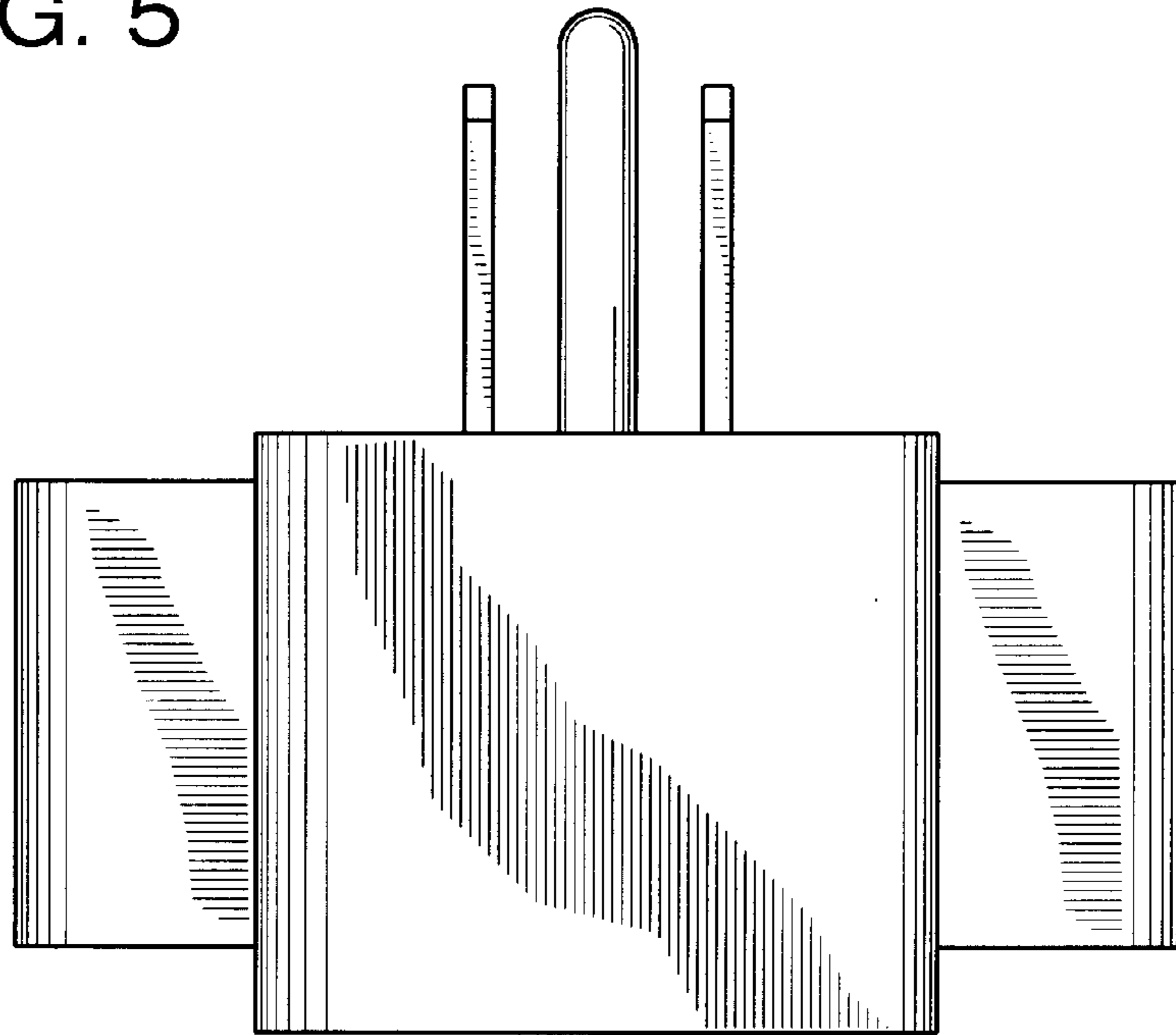


FIG. 6

