



US00D430106S

United States Patent [19]

Lee

[11] **Patent Number: Des. 430,106**

[45] **Date of Patent: ** Aug. 29, 2000**

[54] **RECHARGEABLE BATTERY PACK FOR HANDHELD GAME**

D. 378,509	3/1997	Voroba et al.	D13/103
D. 382,536	8/1997	Amero, Jr.	D13/103
D. 416,857	11/1999	Gauld et al.	D13/103

[75] Inventor: **Man-Tat Lee**, Kowloon, China

Primary Examiner—Joel Sincavage
Attorney, Agent, or Firm—Alix, Yale & Ristas, LLP

[73] Assignee: **Storm Electronics Company Limited**,
Hong Kong, China

[57] **CLAIM**

[**] Term: **14 Years**

The ornamental design for a rechargeable battery pack for handheld game, as shown and described.

[21] Appl. No.: **29/116,526**

DESCRIPTION

[22] Filed: **Jan. 4, 2000**

FIG. 1 is a perspective view of a rechargeable battery pack for handheld game showing my new design;
FIG. 2 is a front elevational view thereof;
FIG. 3 is a top plan view thereof;
FIG. 4 is a rear elevational view thereof;
FIG. 5 is a bottom plan view thereof;
FIG. 6 is a left side elevational view thereof; and,
FIG. 7 is a right side elevational view thereof.

[51] **LOC (7) Cl.** **13-02**

[52] **U.S. Cl.** **D13/103**

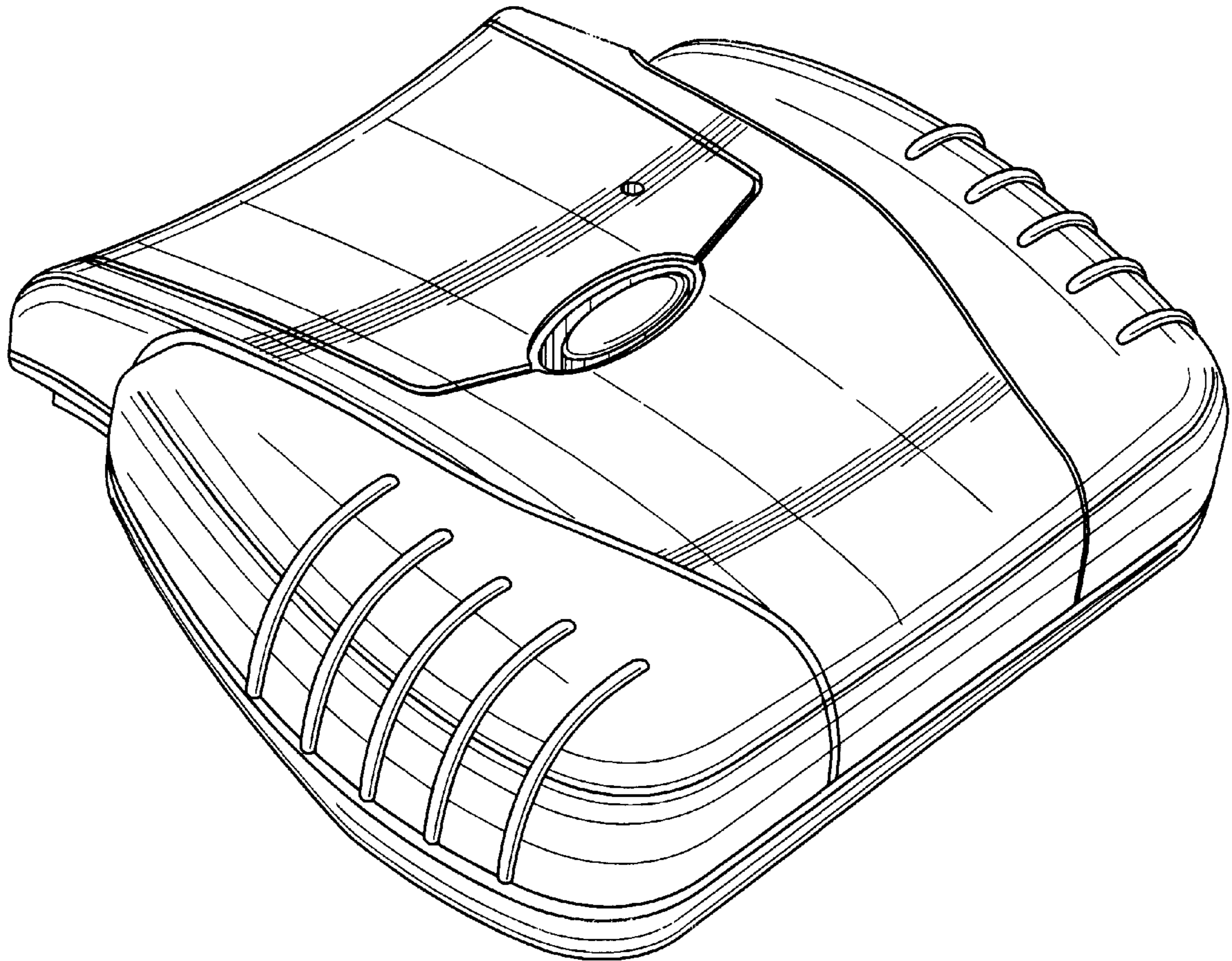
[58] **Field of Search** D13/103; 429/96-100,
429/159, 163, 174

[56] **References Cited**

U.S. PATENT DOCUMENTS

D. 340,027	10/1993	Tortola	D13/103
D. 346,784	5/1994	Leiserson et al.	D13/103

1 Claim, 4 Drawing Sheets



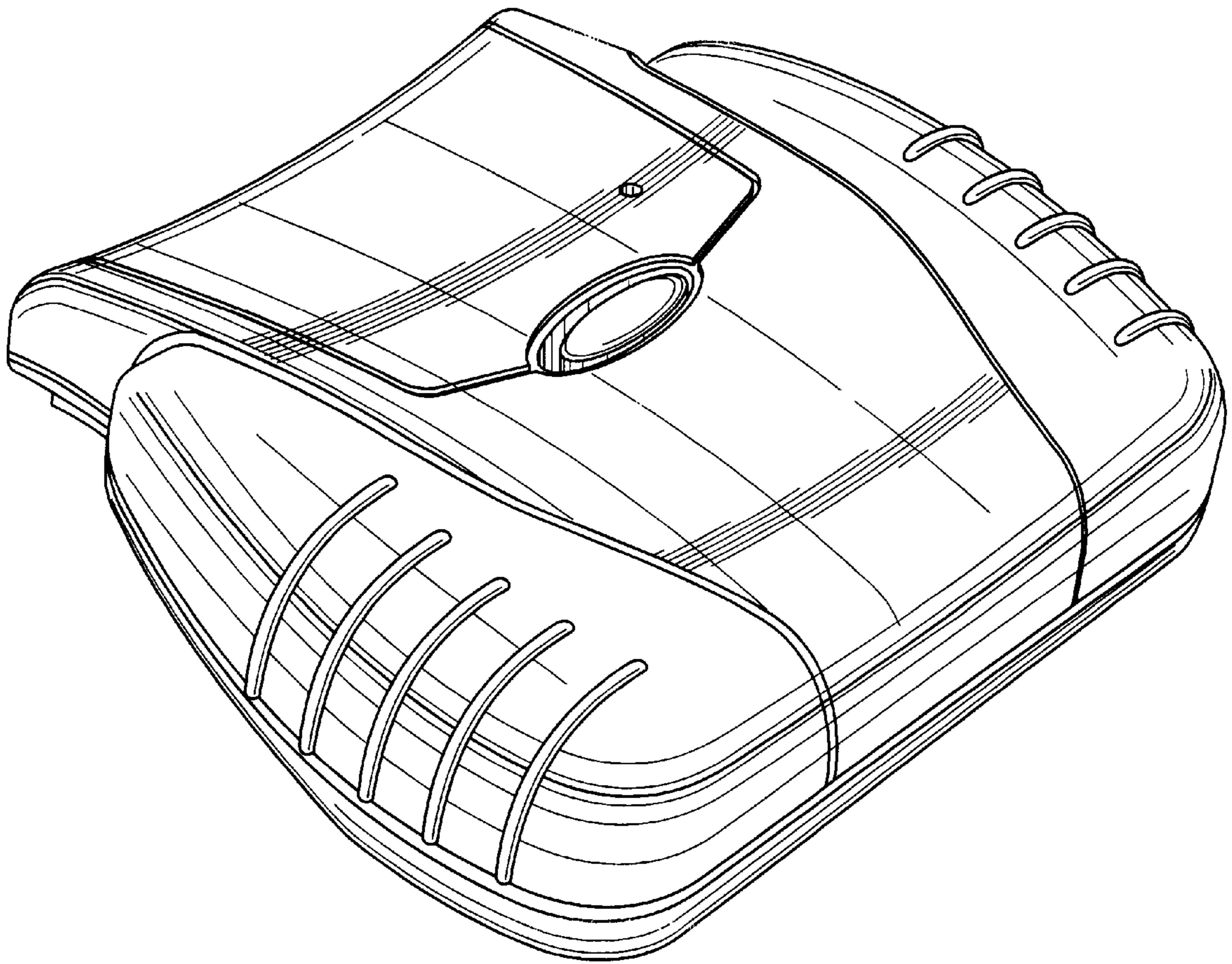


FIG. 1

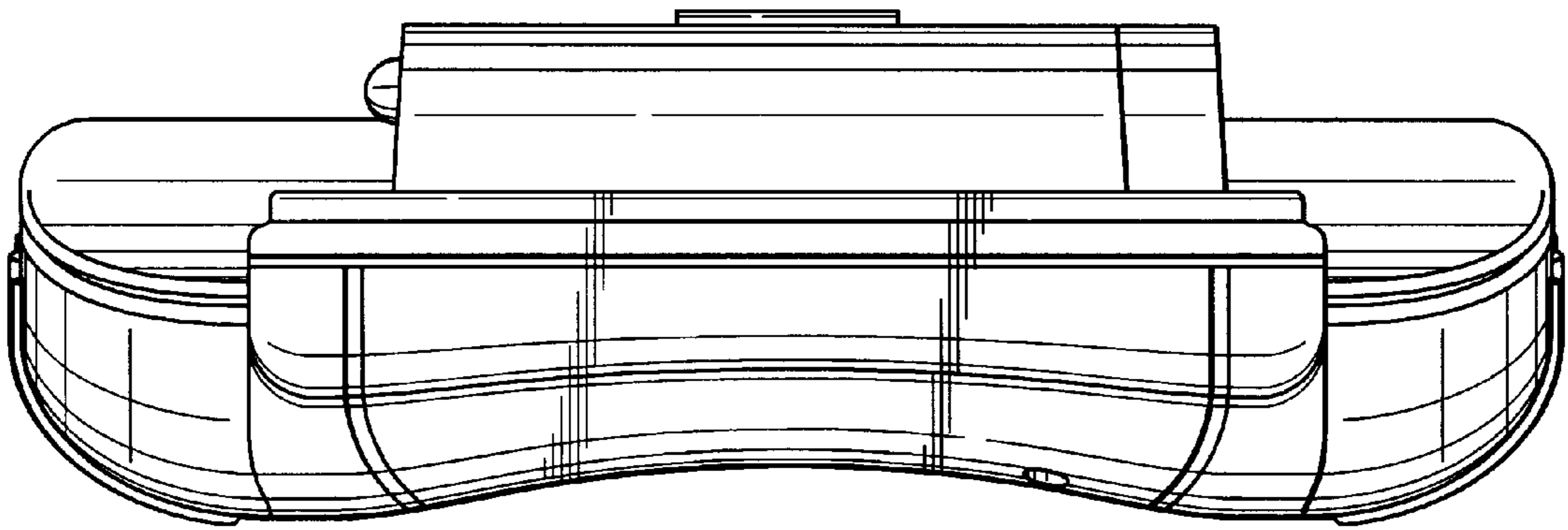


FIG. 3

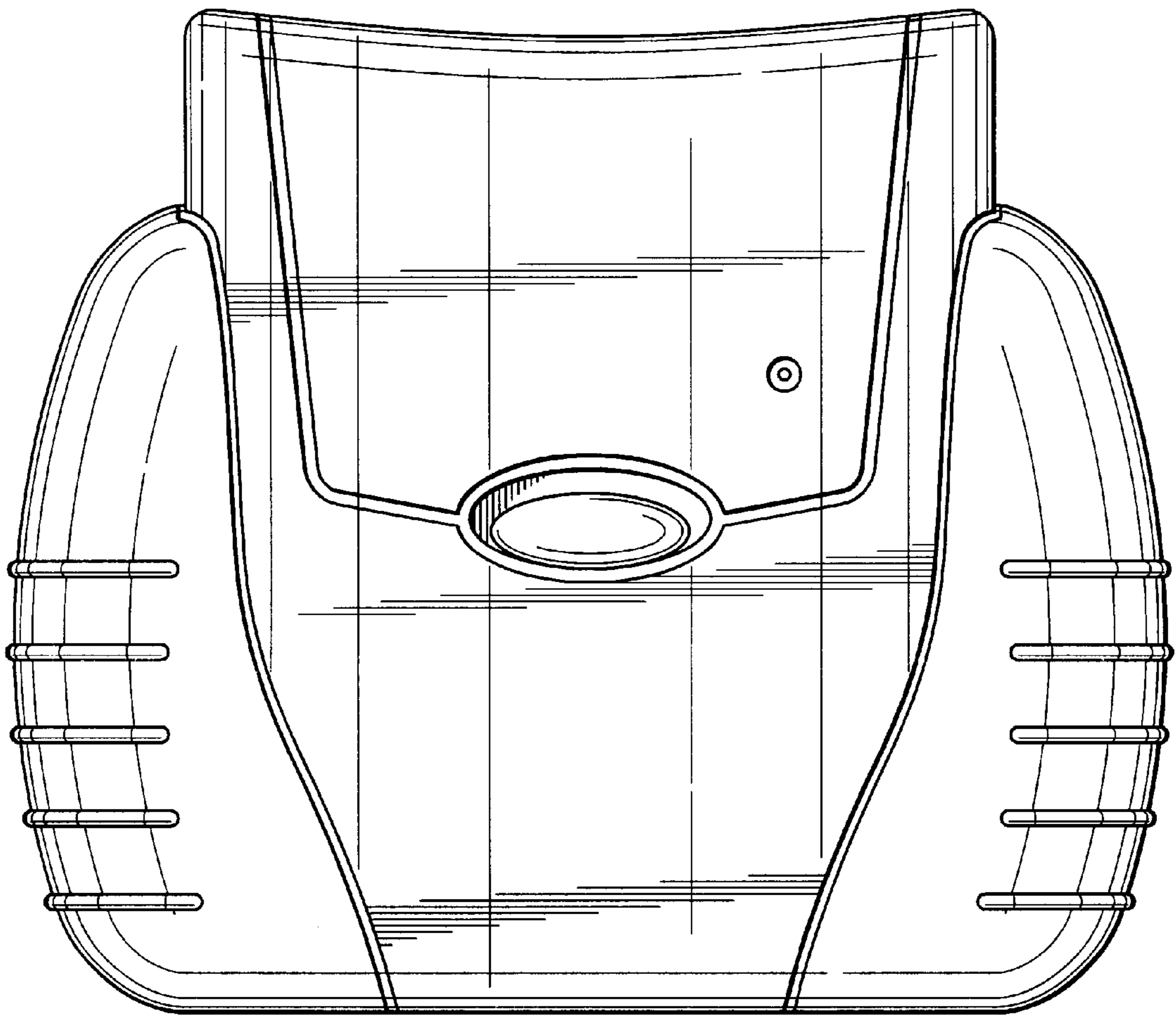


FIG. 2

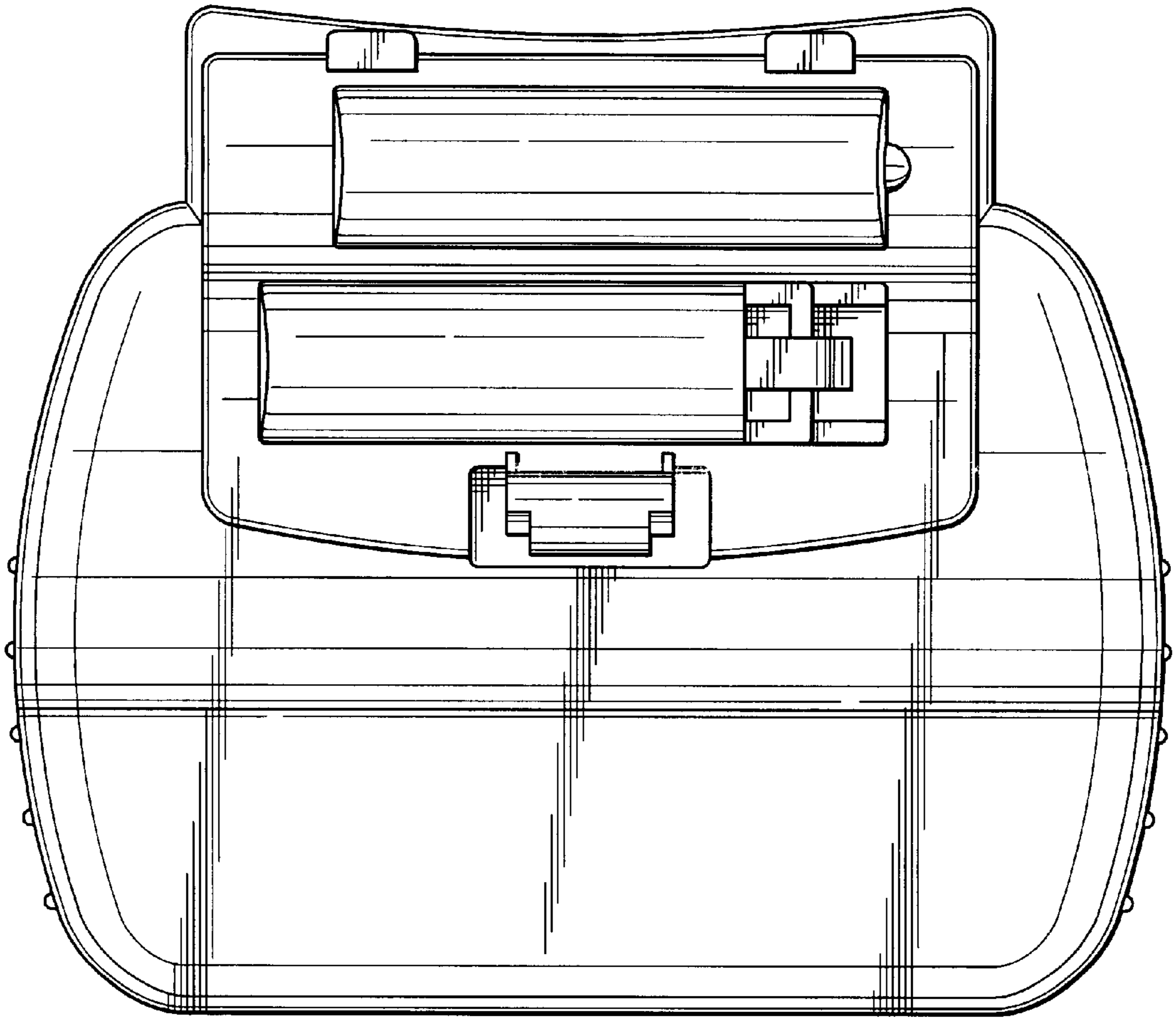


FIG. 4

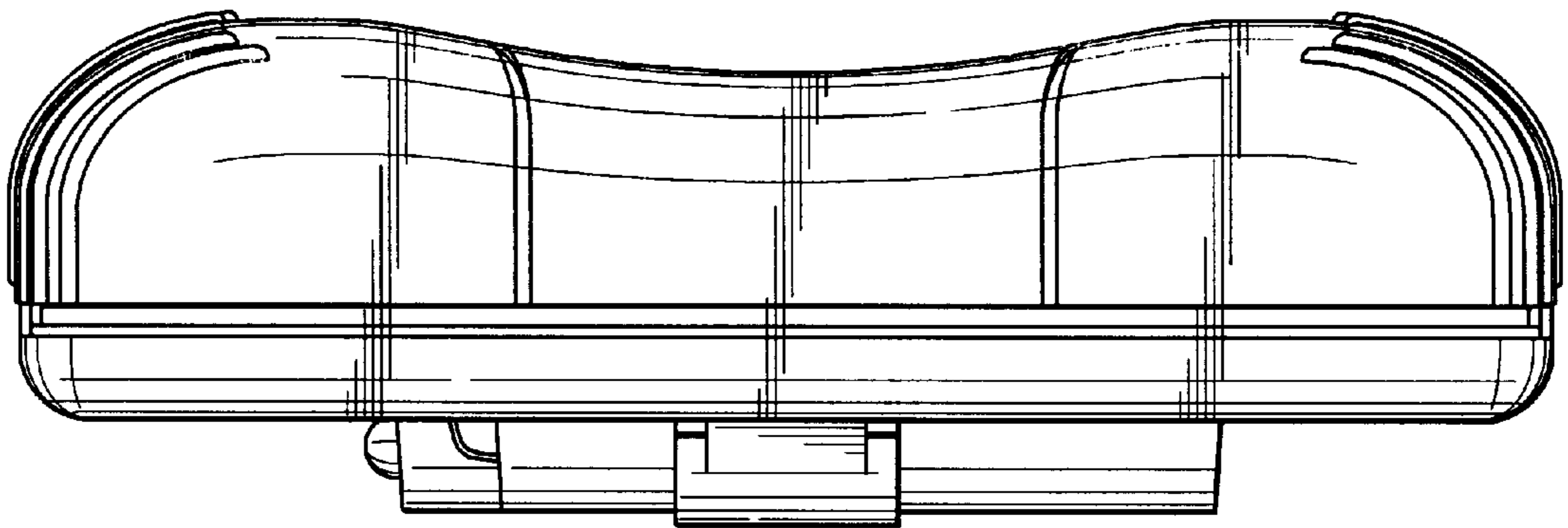


FIG. 5

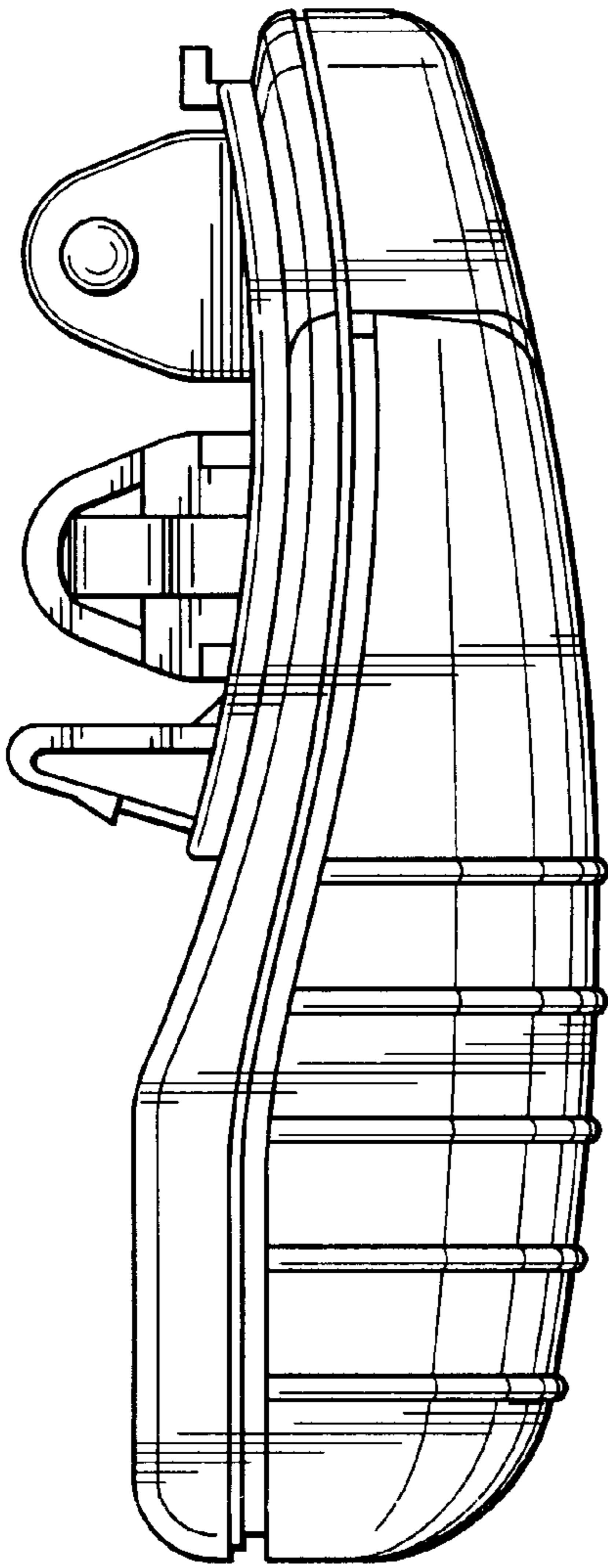


FIG. 6

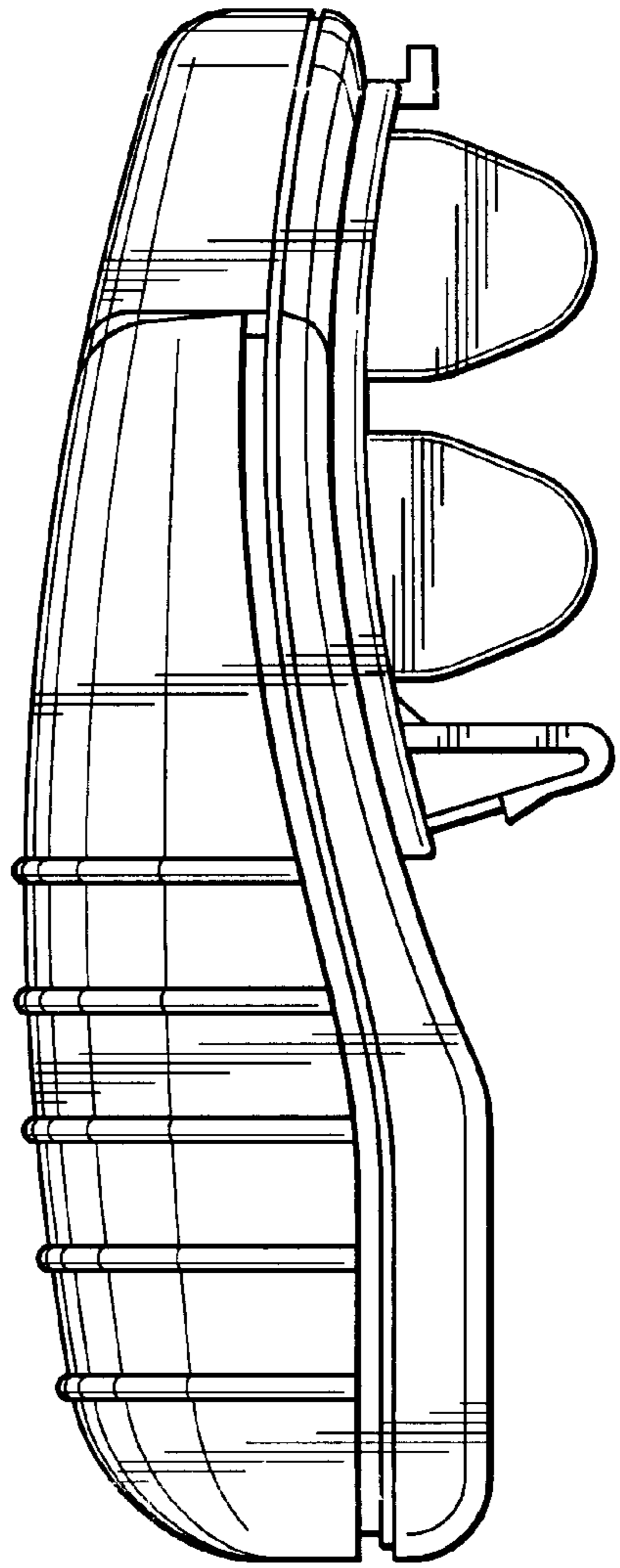


FIG. 7