



US00D430096S

United States Patent [19] Cicansky

[11] **Patent Number: Des. 430,096**

[45] **Date of Patent: ** Aug. 29, 2000**

[54] **VEHICLE SCREEN**

D. 402,615 12/1998 Cicansky D12/216
D. 403,650 1/1999 Cicansky D12/216

[76] Inventor: **Joseph Cicansky**, Box 506, White City,
Saskatchewan, Canada, S0G 5B0

Primary Examiner—Melody N. Brown
Attorney, Agent, or Firm—Ridout & Maybee

[**] Term: **14 Years**

[21] Appl. No.: **29/097,735**

[57] **CLAIM**

[22] Filed: **Dec. 11, 1998**

The ornamental design for a vehicle screen, as shown and described.

Related U.S. Application Data

DESCRIPTION

[62] Division of application No. 29/060,562, Oct. 1, 1996, Pat. No. Des. 402,615.

FIG. 1 is a front elevational view of a vehicle screen, showing my new design;

[30] Foreign Application Priority Data

FIG. 2 is a front elevational view of a vehicle screen element, showing my design;

Apr. 2, 1996 [CA] Canada 1996-0788

FIG. 3 is a side elevational view of the vehicle screen of FIG. 2; and,

[51] **LOC (7) Cl.** **12-16**

FIG. 4 is a top view of the vehicle screen of FIG. 2.

[52] **U.S. Cl.** **D12/216**

[58] **Field of Search** D12/216, 90-92;
180/68.6

The broken lines in FIG. 1 represent a vehicle and are for illustrative purposes only and form no part of the claimed design. The rear elevational view of the design is not visible in its intended use and is flat.

[56] References Cited

U.S. PATENT DOCUMENTS

D. 350,504 9/1994 Nixon D12/91

1 Claim, 2 Drawing Sheets

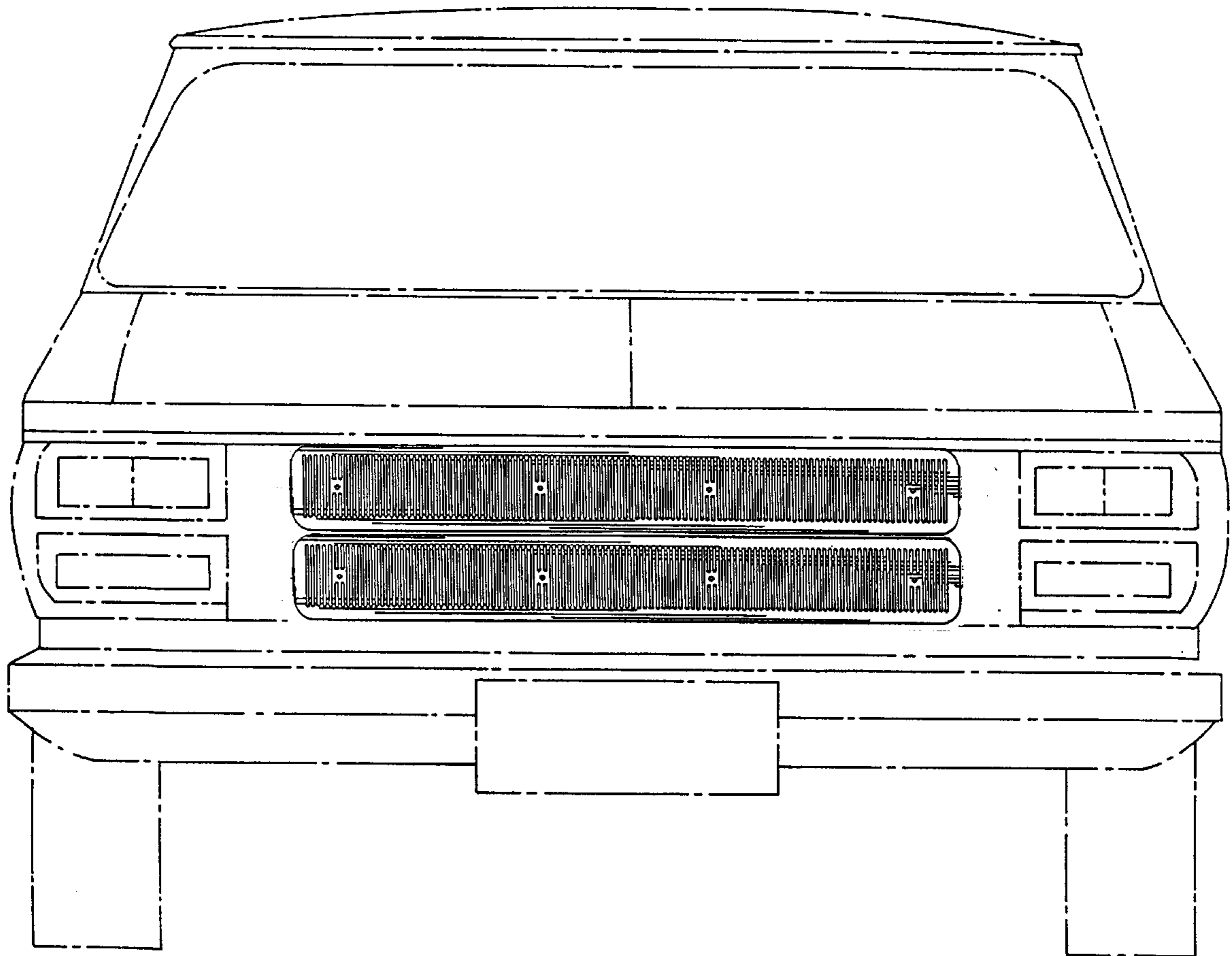
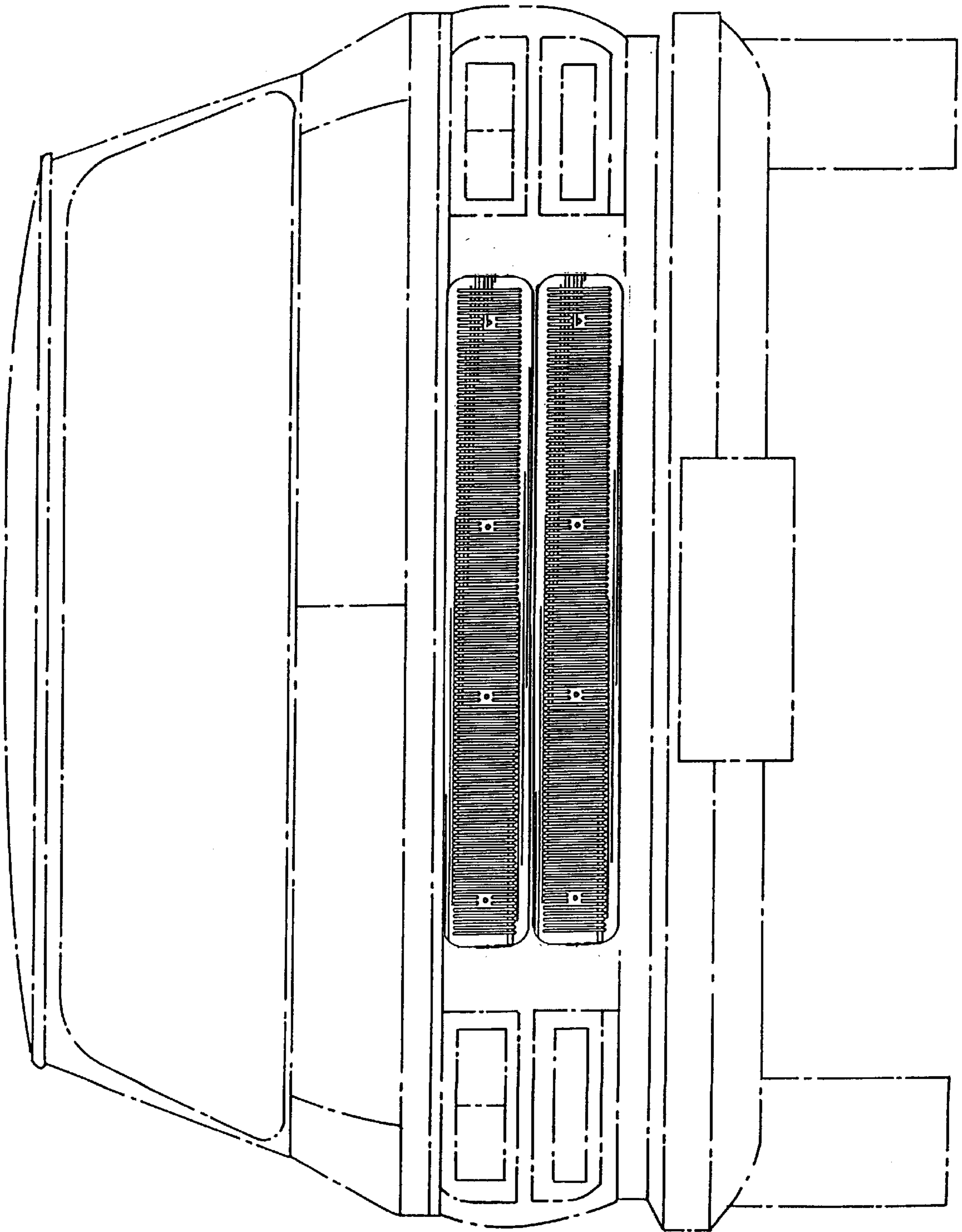


FIG. 1



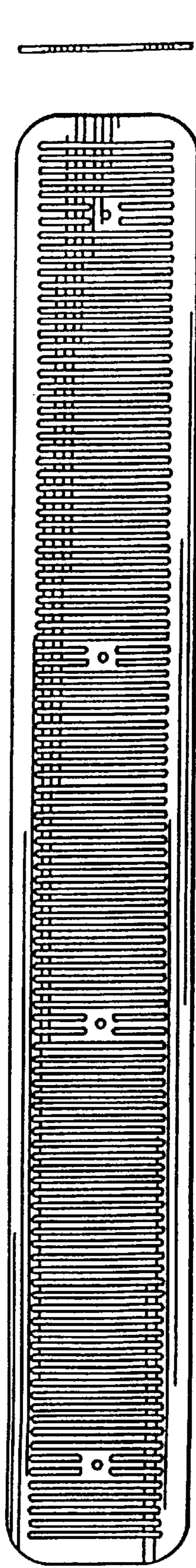


FIG. 2

FIG. 3



FIG. 4

