

US00D430092S

United States Patent [19]

Burgio, Jr.

[11] Patent Number: **Des. 430,092**

[45] Date of Patent: **** Aug. 29, 2000**

- [54] **DECORATIVE ROCKER PANEL**
- [75] Inventor: **James G. Burgio, Jr.**, Greensboro, N.C.
- [73] Assignee: **Advanced Technology, Inc.**, Greensboro, N.C.
- [**] Term: **14 Years**
- [21] Appl. No.: **29/113,178**
- [22] Filed: **Oct. 29, 1999**
- [51] **LOC (7) Cl.** **12-16**
- [52] **U.S. Cl.** **D12/196**
- [58] **Field of Search** D12/196, 93, 98, D12/203; 296/190

- D. 292,388 10/1987 Wecker D12/203
- D. 319,036 8/1991 Finyerle D12/96
- D. 320,382 10/1991 Finyerle D12/96
- D. 372,011 7/1996 Tyler D12/203
- D. 420,622 2/2000 Hillmake et al. D12/97

Primary Examiner—Melody N. Brown
Attorney, Agent, or Firm—Rhodes & Mason, P.L.L.C.

[57] CLAIM

The ornamental design for a decorative rocker panel, as shown and described.

DESCRIPTION

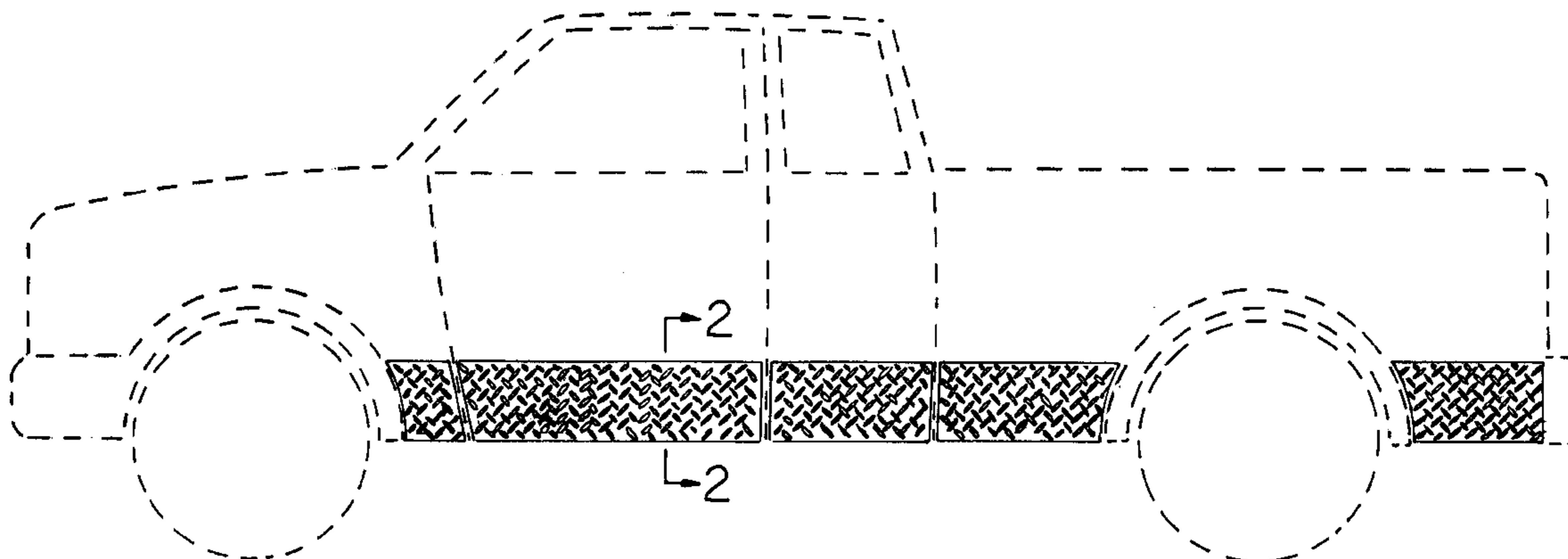
FIG. 1 is a front elevational view of a decorative rocker panel showing my new design; and, FIG. 2 is a sectional view thereof taken along lines 2—2 of FIG. 1.

The broken lines represent the environment in which the invention is used and form no part of the claimed invention.

- [56] **References Cited**
- U.S. PATENT DOCUMENTS

D. 290,833 7/1987 Walters D12/203

1 Claim, 1 Drawing Sheet



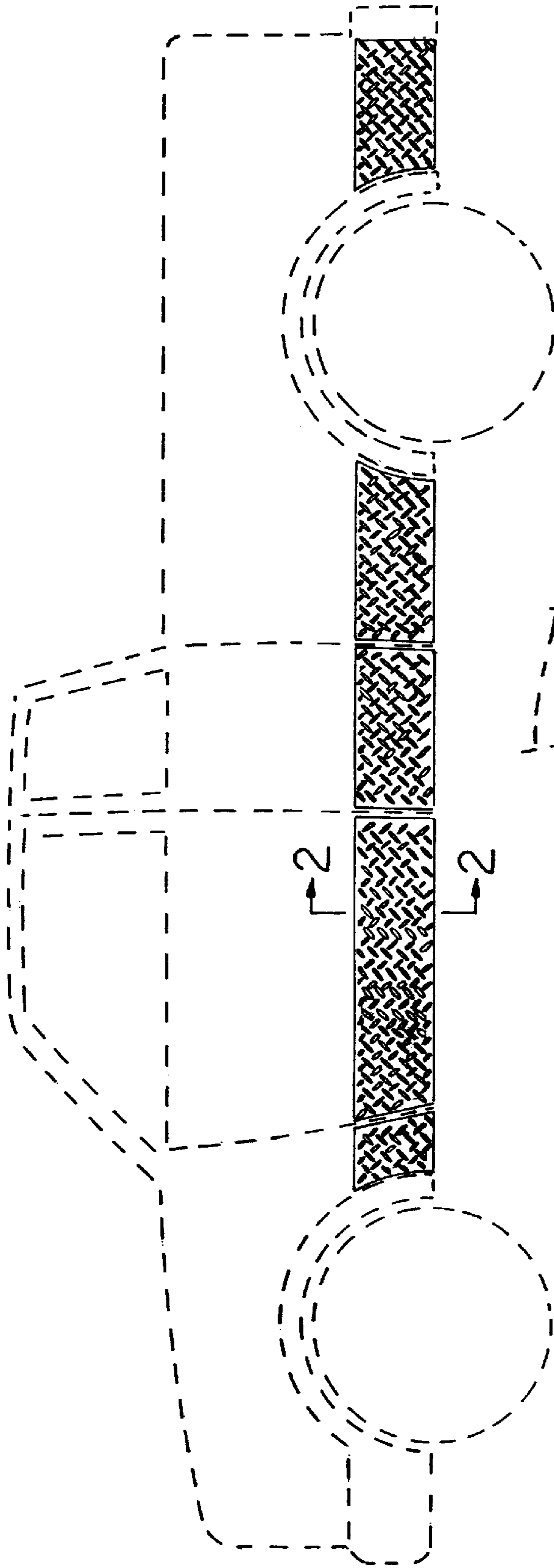


FIG. 1

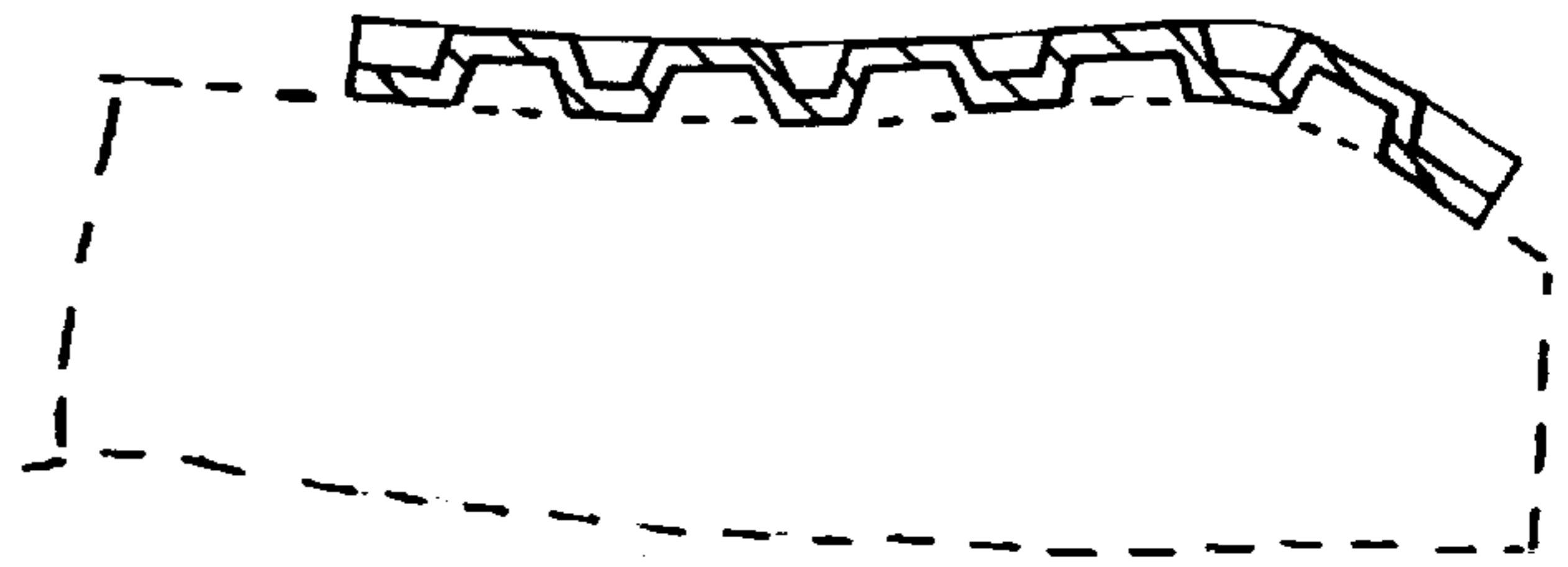


FIG. 2