



US00D430090S

United States Patent [19]

Walterscheid et al.

[11] **Patent Number: Des. 430,090**

[45] **Date of Patent: ** Aug. 29, 2000**

[54] **INTERIOR STORAGE TRAY FOR A VEHICLE**

[75] Inventors: **Wade J. Walterscheid**, Rosston; **Louis D. Heilaneh**, Lewisville, both of Tex.

[73] Assignee: **Paccar Inc.**, Bellevue, Wash.

[**] Term: **14 Years**

[21] Appl. No.: **29/117,386**

[22] Filed: **Jan. 21, 2000**

[51] **LOC (7) Cl.** **12-16**

[52] **U.S. Cl.** **D12/195; D12/419**

[58] **Field of Search** D12/415, 416, D12/419, 421, 423-426.1, 190, 195, 400; 224/539, 275, 327-329, 42.11, 42.25, 536-538; 296/37.1, 37.6-37.13, 149, 153, 146.1, 37.16; 220/223, 4.31; 108/44-46, 33, 54, 60, 91

[56] **References Cited**

U.S. PATENT DOCUMENTS

- D. 249,671 9/1978 Vanderwaal D12/425
- D. 299,186 1/1989 Sills D12/425
- D. 358,125 5/1995 Jackson D12/425

- D. 375,931 11/1996 Ferrigan D12/419
- D. 382,534 8/1997 Green D12/415
- D. 387,024 12/1997 Hellhake et al. D12/195
- D. 399,482 10/1998 Guichard D12/419
- D. 411,157 6/1999 Sacco et al. D12/195
- D. 419,521 1/2000 Leschke et al. D12/425

Primary Examiner—Stacia Cadmus
Attorney, Agent, or Firm—Sidley & Austin

[57] **CLAIM**

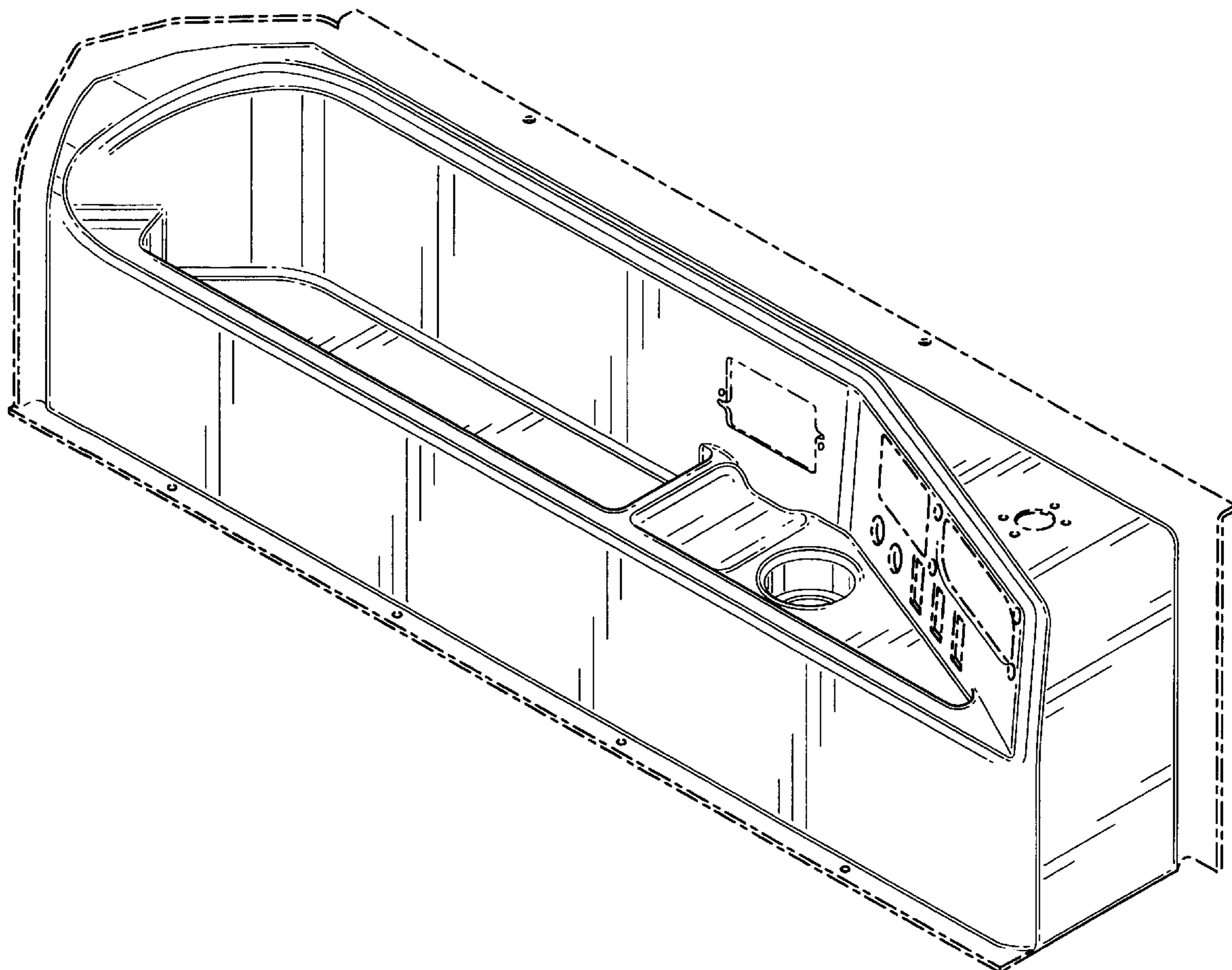
The ornamental design for an interior storage tray for a vehicle, as shown and described.

DESCRIPTION

FIG. 1 is a perspective view of an interior storage tray for a vehicle showing our new design; FIG. 2 is a front view thereof; FIG. 3 is a right side view thereof; FIG. 4 is a left side view thereof; FIG. 5 is a top view thereof; and, FIG. 6 is a reduced perspective view thereof.

The rear and bottom of the tray form no part of the claimed design. The flanges shown in broken lines are for illustrative purposes only and form no part of the claimed design. The broken line showing of a vehicle interior, in FIG. 6, depicts environment and is not part of the claimed design.

1 Claim, 5 Drawing Sheets



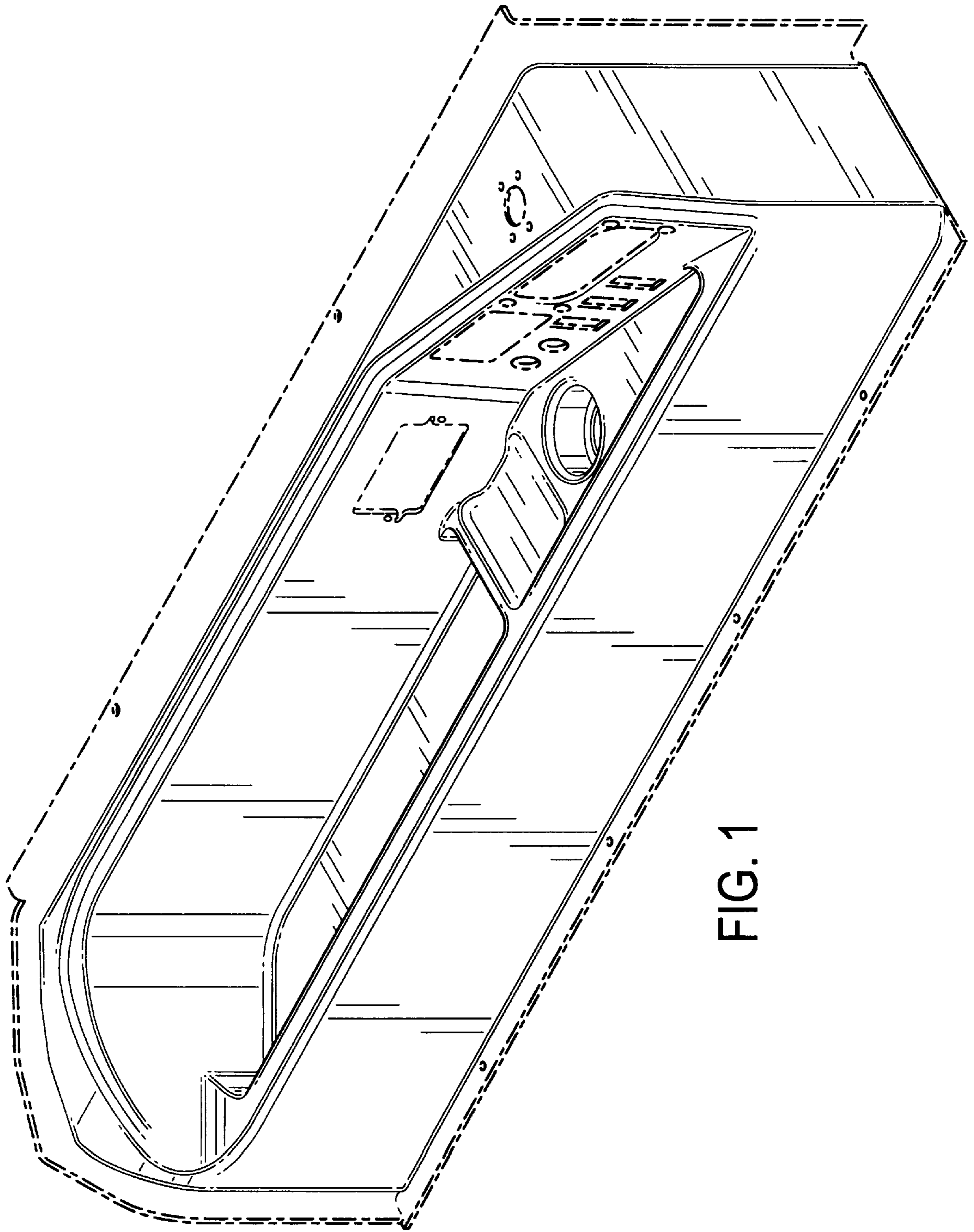


FIG. 1

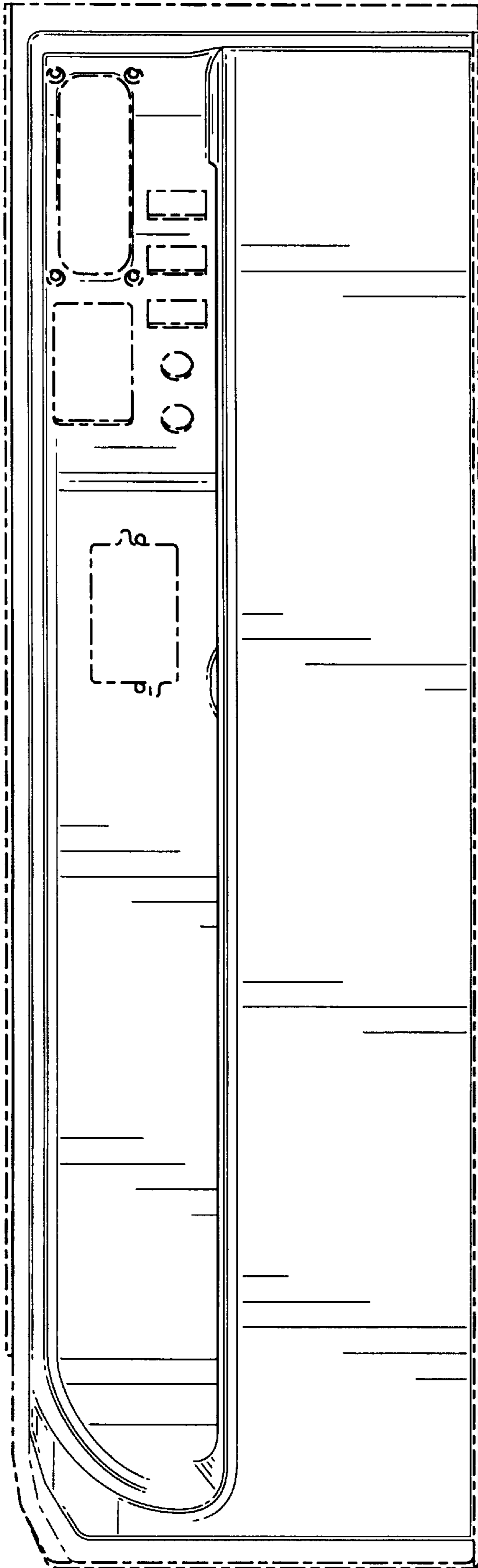


FIG. 2

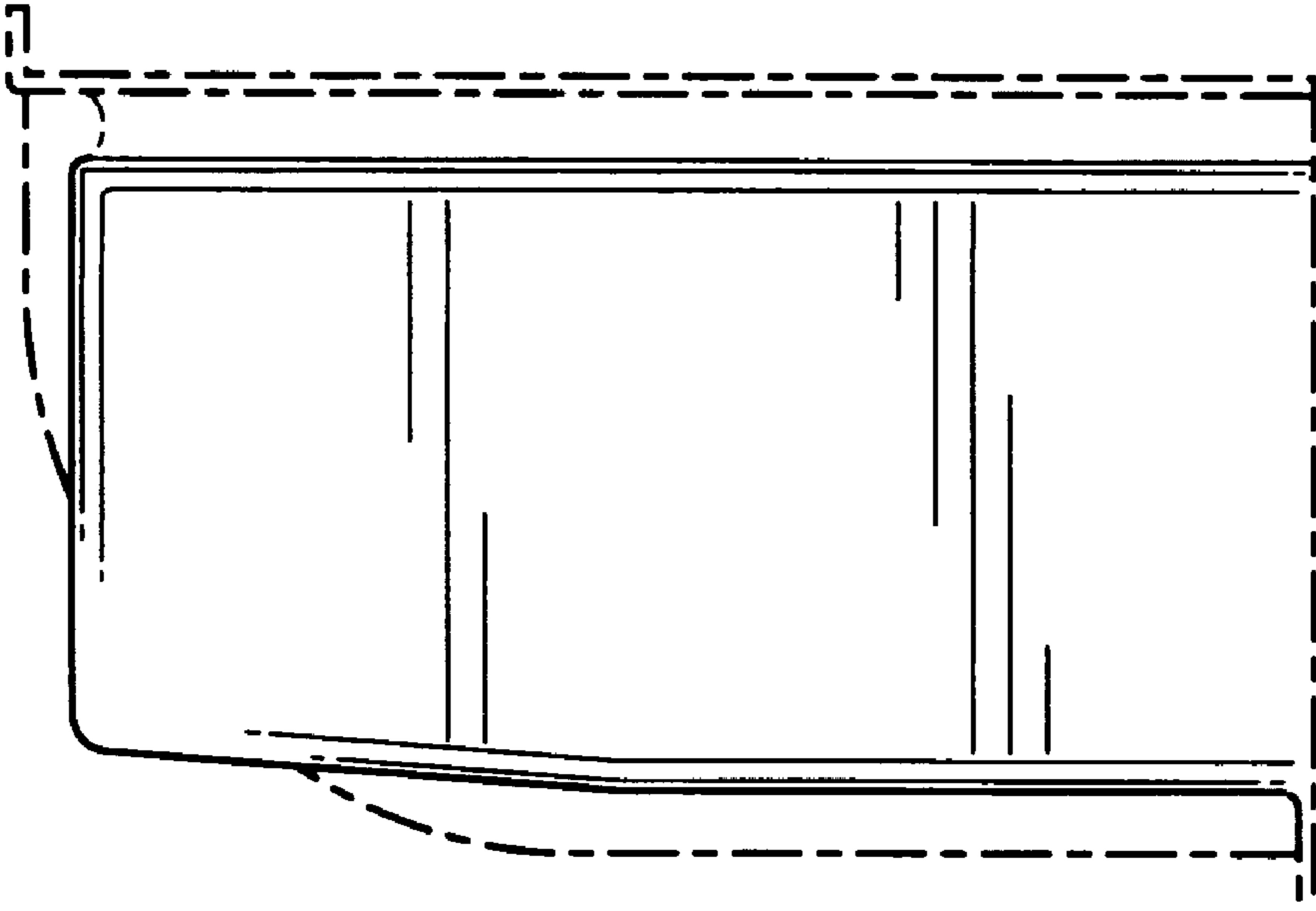


FIG. 4

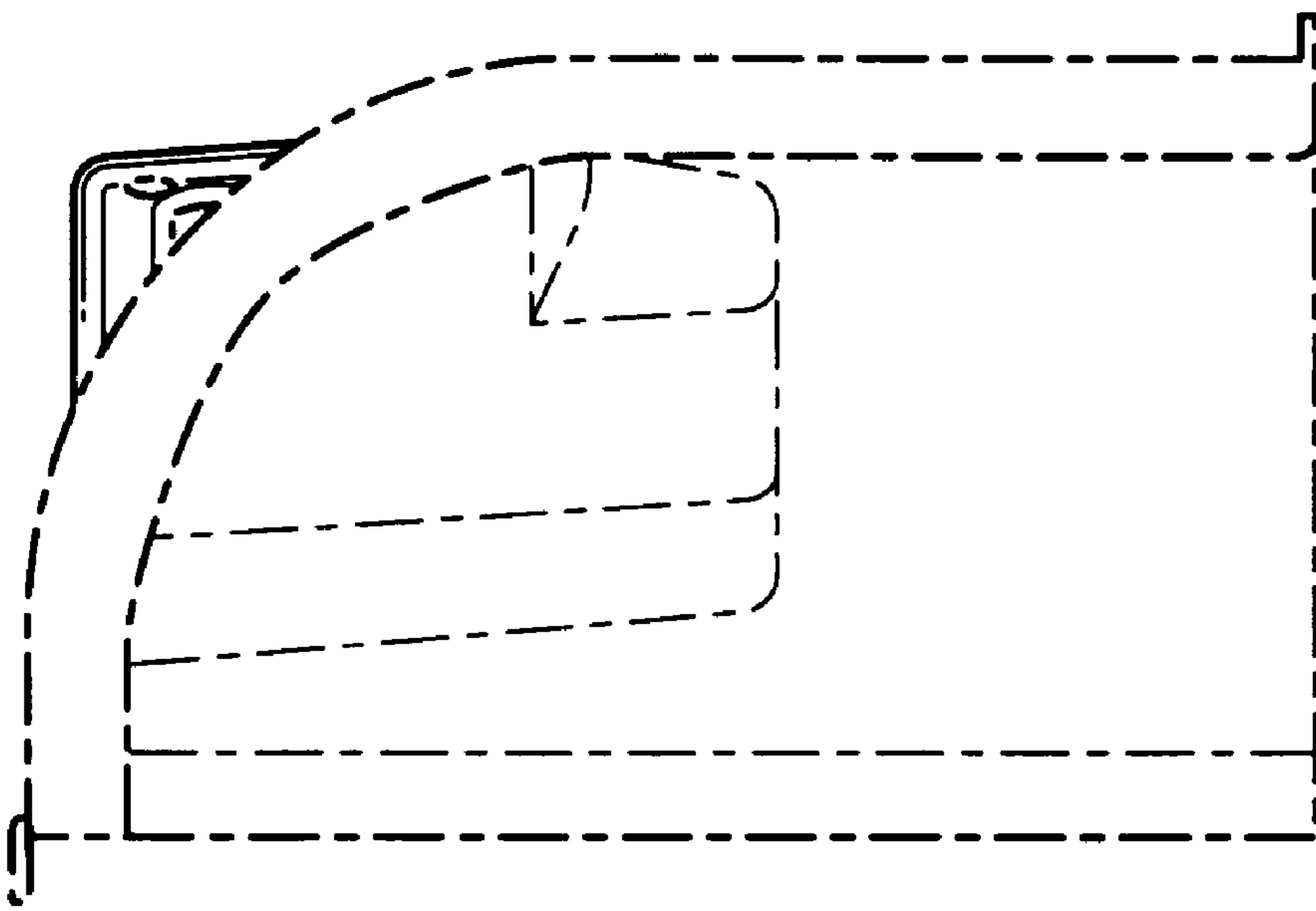


FIG. 3

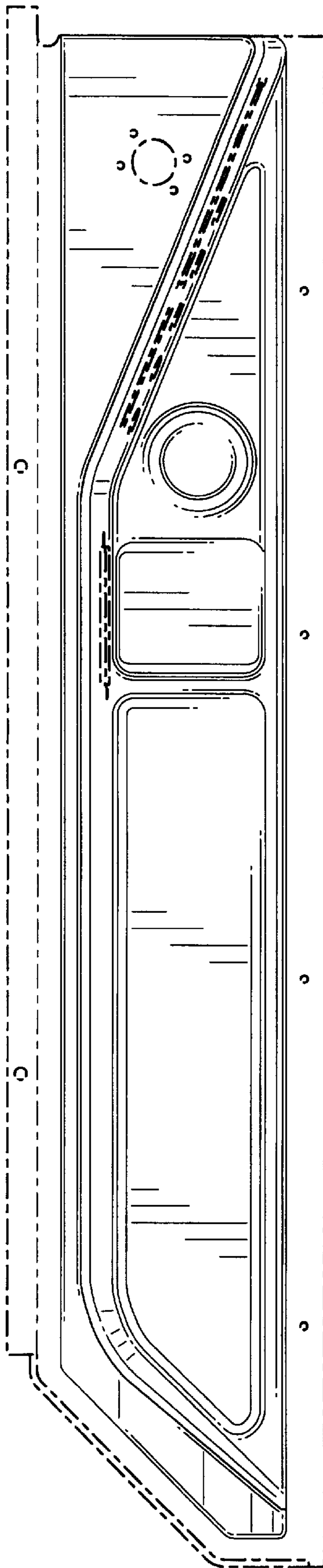


FIG. 5

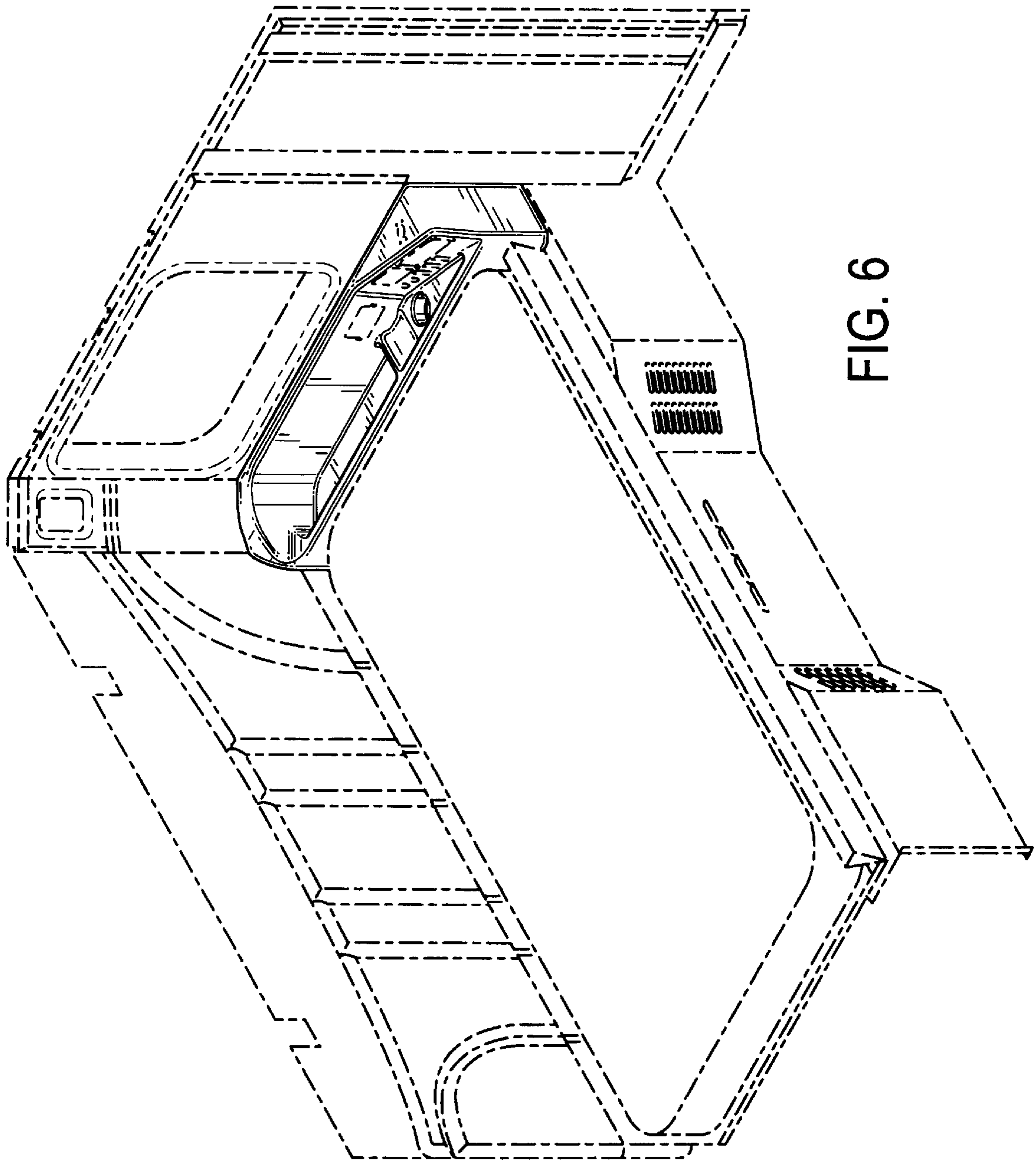


FIG. 6