



US00D430083S

United States Patent [19] Spearin

[11] Patent Number: **Des. 430,083**

[45] Date of Patent: **** Aug. 29, 2000**

[54] **HOLLOW BOAT FENDER**

[76] Inventor: **Todd R. Spearin**, 2066 Shorewood La.,
Mound, Minn. 55364

[**] Term: **14 Years**

[21] Appl. No.: **29/109,023**

[22] Filed: **Aug. 9, 1999**

[51] **LOC (7) Cl.** **12-16**

[52] **U.S. Cl.** **D12/168; D12/316; D21/803**

[58] **Field of Search** **D12/168, 317,
D12/316; D34/27; D10/107; 114/219; D21/803,
801; 441/1, 2, 21, 30, 32**

4,773,349 9/1988 McKinney .
4,841,893 6/1989 Ellison .
4,920,907 5/1990 Richter .
4,964,760 10/1990 Hartman .
5,497,723 3/1996 Chase .
5,518,342 5/1996 Wright .
5,671,692 9/1997 Kimball .
5,701,837 12/1997 Harvey .

Primary Examiner—Kay H. Chin
Attorney, Agent, or Firm—Gerald E. Helget; Rider, Bennett,
Egan & Arundel

[57] CLAIM

The ornamental design for a hollow boat fender, as shown and described.

[56] References Cited

U.S. PATENT DOCUMENTS

D. 299,915 2/1989 Ullman .
D. 308,192 5/1990 Ellison .
D. 313,217 12/1990 Kajigaya .
D. 333,900 3/1993 Kinnamon et al. D34/27
D. 359,019 6/1995 Kimball .
D. 366,005 1/1996 Beyer-Olsen D10/107
D. 374,483 10/1996 Lopez et al. D12/18
D. 386,733 11/1997 Rossman .
D. 387,314 12/1997 Suckow .
D. 387,441 12/1997 Rasmussen .
3,933,111 1/1976 von Bose .
4,584,958 4/1986 Green .

DESCRIPTION

FIG. 1 is a side elevational view of a hollow boat fender showing my new design in an environmental scene in phantom outline;
FIG. 2 is a side elevational view;
FIG. 3 is a top plan view taken along lines 4—4 of FIG. 2;
FIG. 4 is a cross-sectional view and taken along lines 4—4 of FIG. 2; and,
FIG. 5 is a perspective view.
No claim is made to the dock and boat shown in phantom outline for environmental purposes only.

1 Claim, 2 Drawing Sheets

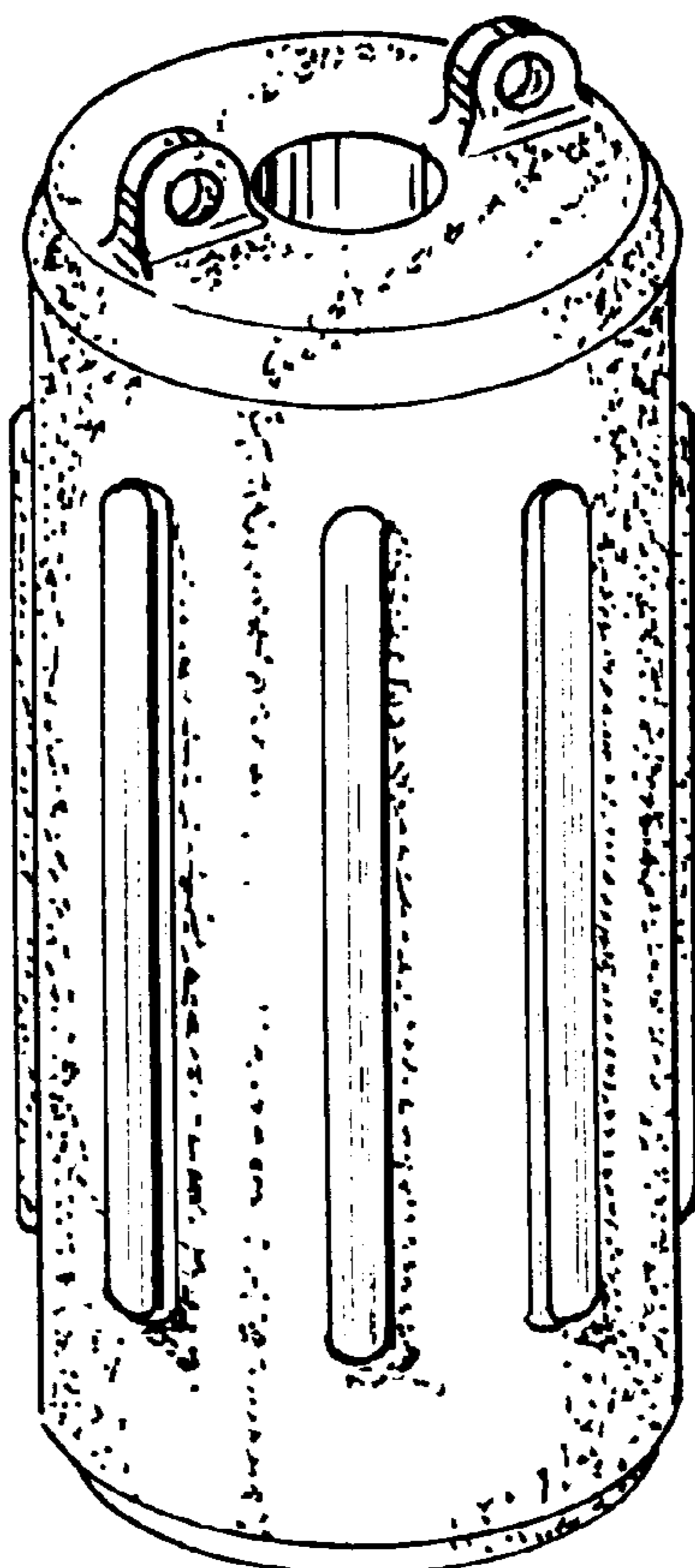
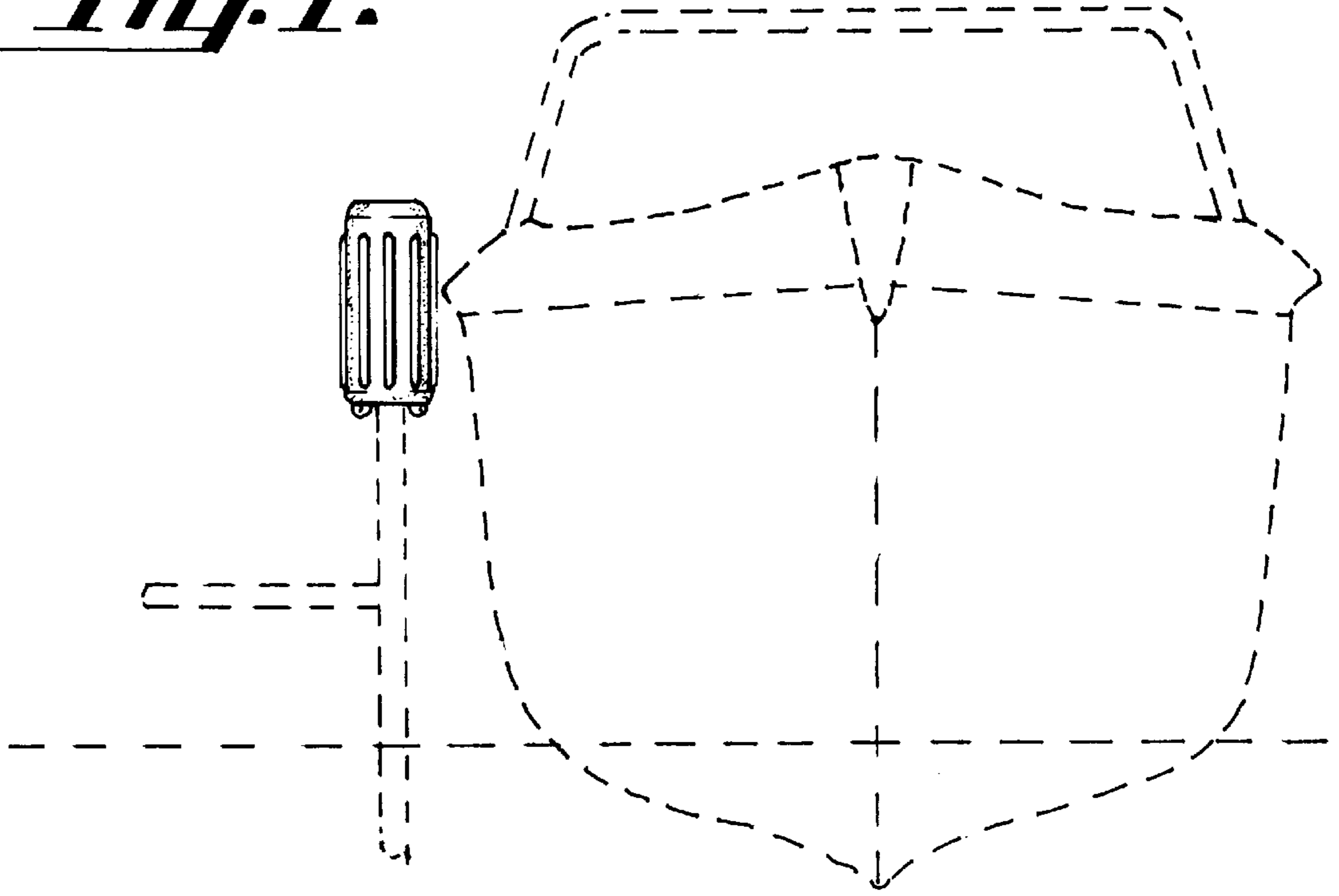
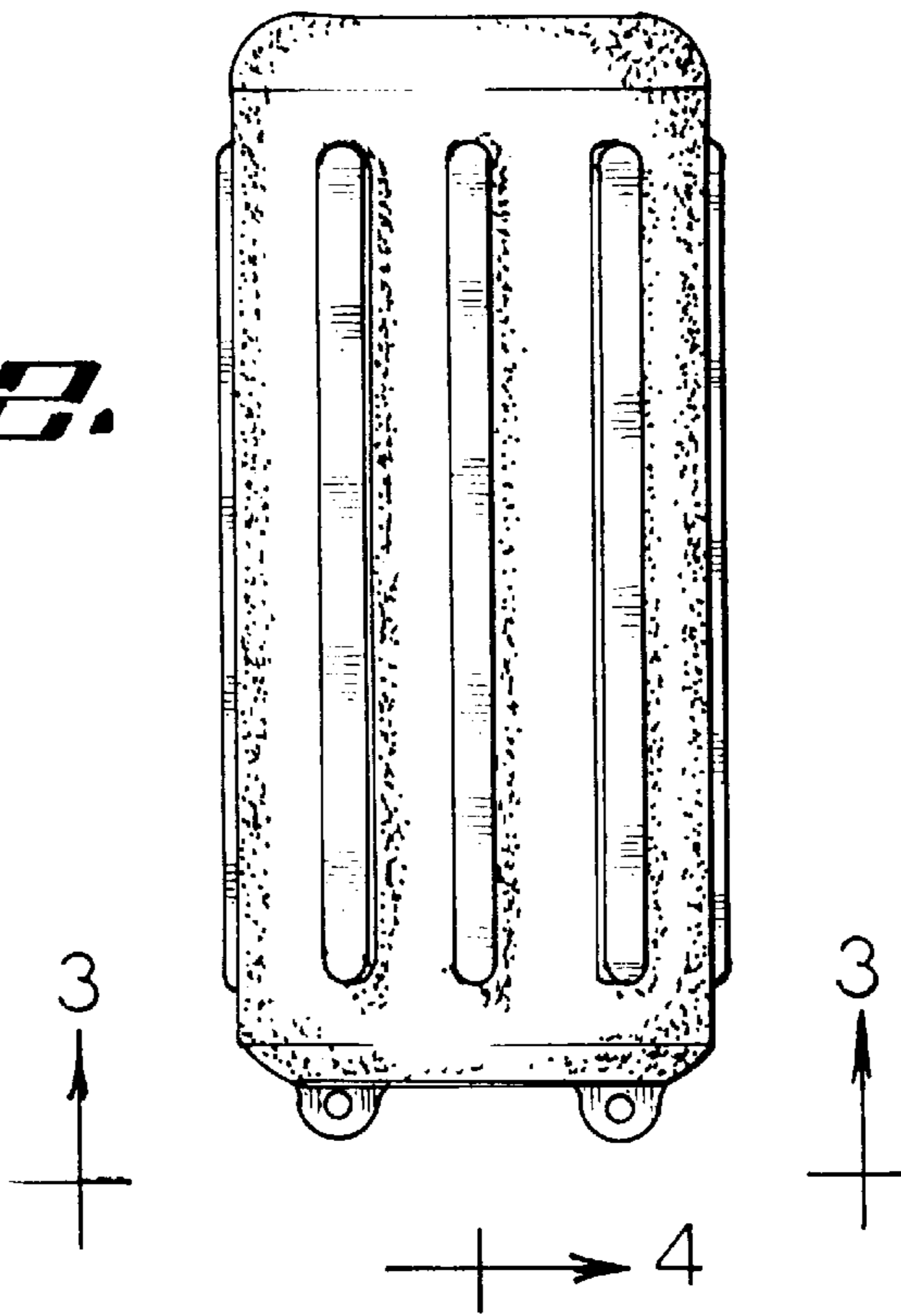


Fig. 1.



→ 4

Fig. 2.



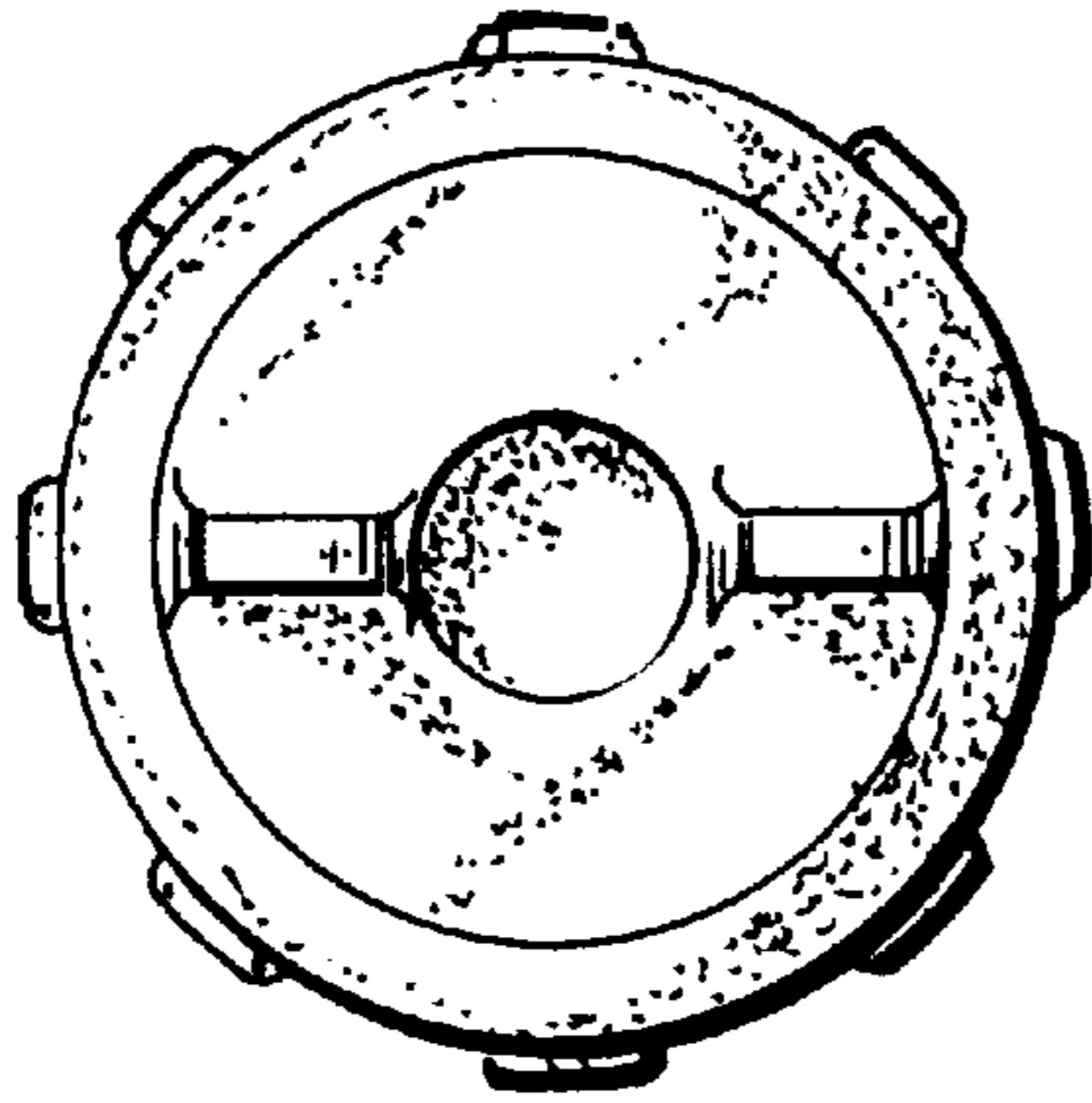


Fig. 3

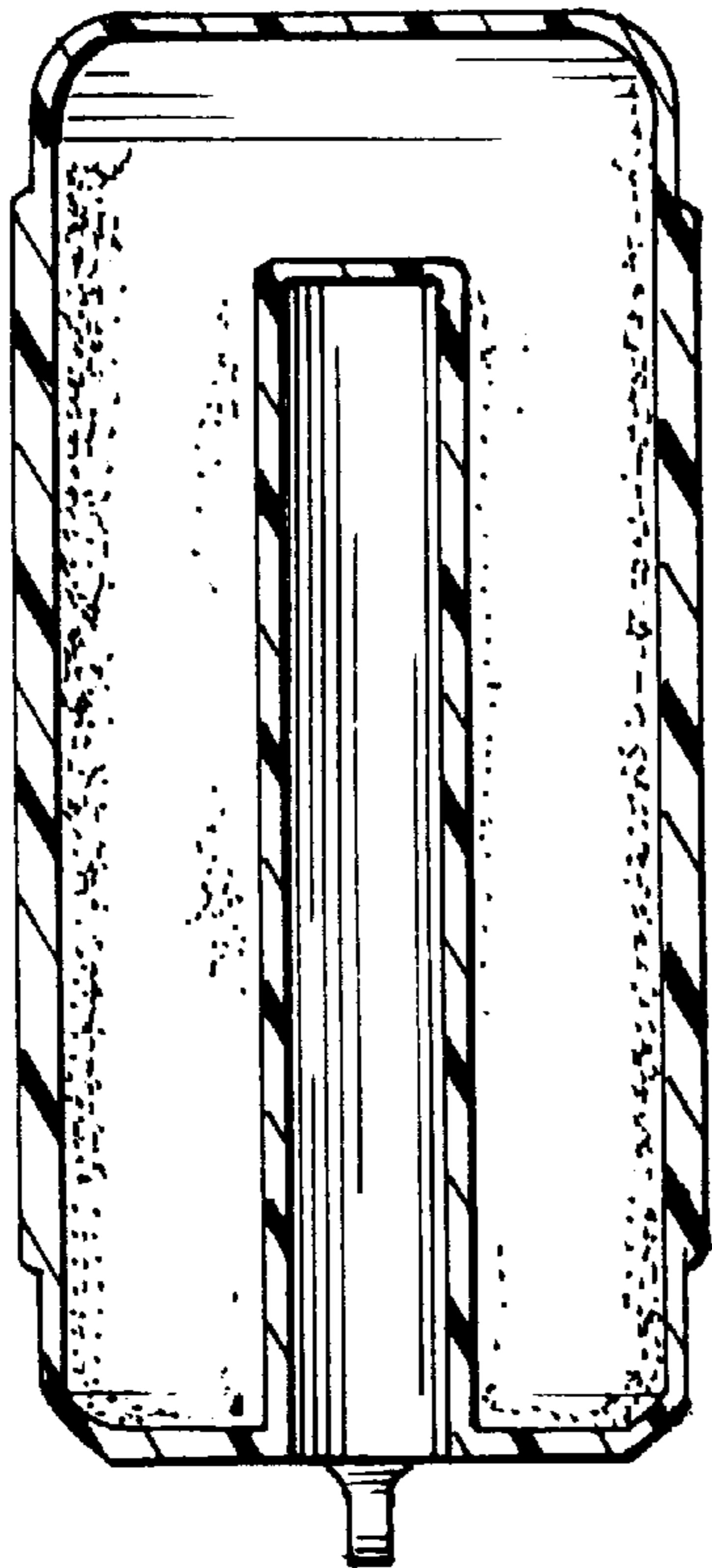


Fig. 4.

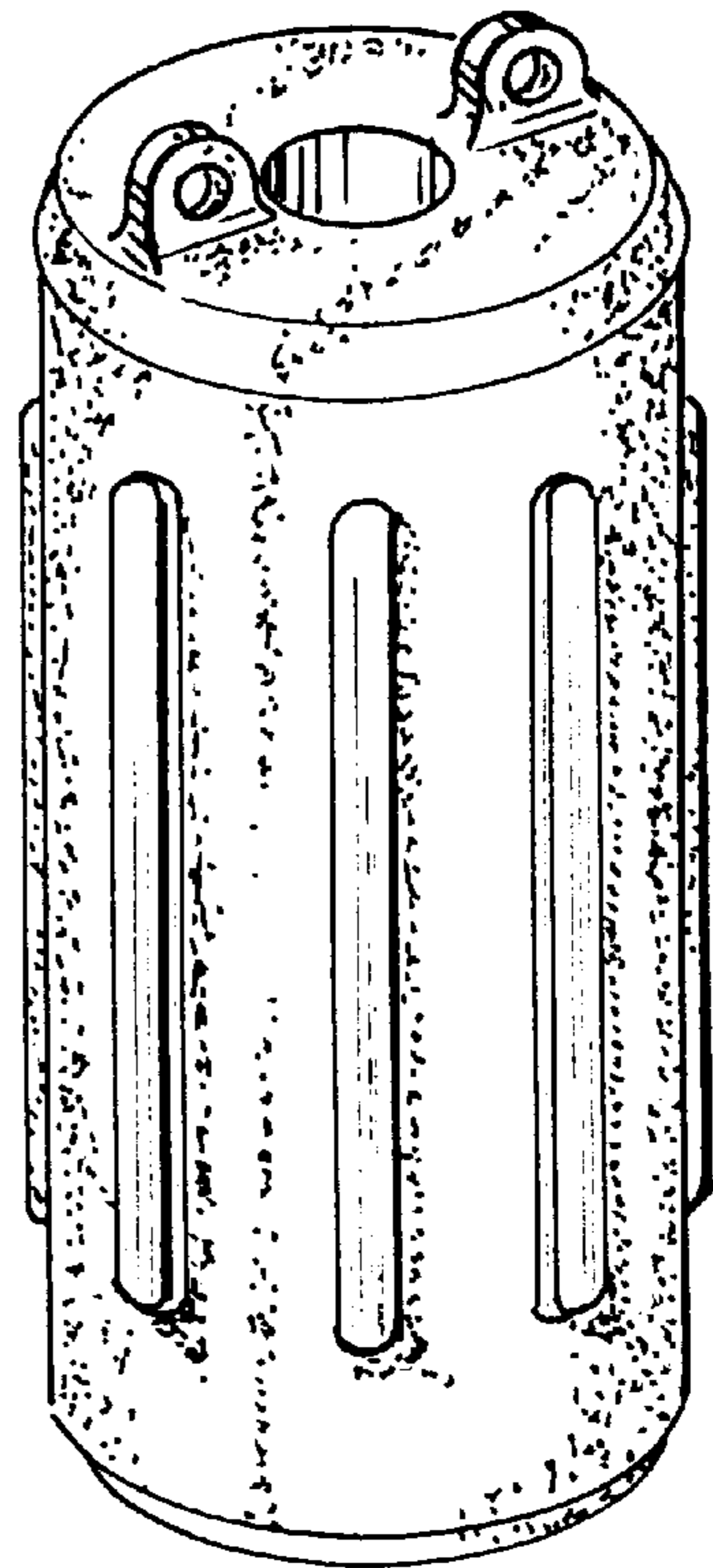


Fig. 5.