



US00D430081S

United States Patent [19]

Blankenship et al.

[11] Patent Number: Des. 430,081

[45] Date of Patent: ** *Aug. 29, 2000

[54] TIRE TREAD

[75] Inventors: Leonard F. Blankenship; John J. Regallis, both of Akron; David M. Reep, Copley, all of Ohio

[73] Assignee: Bridgestone/Firestone Research, Inc., Akron, Ohio

[*] Notice: This patent is subject to a terminal disclaimer.

[**] Term: 14 Years

[21] Appl. No.: 29/086,955

[22] Filed: Apr. 23, 1998

[51] LOC (7) Cl. 12-15

[52] U.S. Cl. D12/147

[58] Field of Search D12/141-143, D12/146-151; 152/209 RR, 209 NS, 209 AS, 209 AG, 209 BY, 209 LG, 209 RB, 209 DP

[56] References Cited

U.S. PATENT DOCUMENTS

| | | | | |
|------------|---------|-------------------|-------|---------|
| D. 279,365 | 6/1985 | Takehara | | D12/147 |
| D. 279,366 | 6/1985 | Takehara | | D12/147 |
| D. 284,562 | 7/1986 | Kojima et al. | | D12/147 |
| D. 313,211 | 12/1990 | Minamitani et al. | | D12/147 |
| D. 326,073 | 5/1992 | Hayakawa et al. | | D12/147 |
| D. 330,882 | 11/1992 | Hasegawa | | D12/147 |
| D. 333,286 | 2/1993 | Rogers et al. | | D12/146 |
| D. 333,452 | 2/1993 | Crano et al. | | D12/146 |
| D. 339,778 | 9/1993 | Himuro et al. | | D12/147 |
| D. 346,775 | 5/1994 | Loser | | D12/146 |
| D. 352,489 | 11/1994 | Breny et al. | | D12/147 |
| D. 362,218 | 9/1995 | McKisson | | D12/147 |

| | | | | |
|------------|---------|--------------------|-------|---------|
| D. 370,441 | 6/1996 | Guspodin et al. | | D12/147 |
| D. 370,443 | 6/1996 | Lassan et al. | | D12/147 |
| D. 375,709 | 11/1996 | Guspodin et al. | | D12/147 |
| D. 388,379 | 12/1997 | Harpes et al. | | D12/147 |
| D. 403,631 | 1/1999 | Blankenship et al. | | D12/147 |

OTHER PUBLICATIONS

Falken FK-711 Tire, 1996 Tread Design Guide, p. 26, Feb. 1996.

Ohtsu Falken FK-651 Tire, 1996 Tread Design Guide, p. 57, Feb. 1996.

Primary Examiner—Robert M. Spear
Attorney, Agent, or Firm—Michael Sand; John M. Vasuta

[57] CLAIM

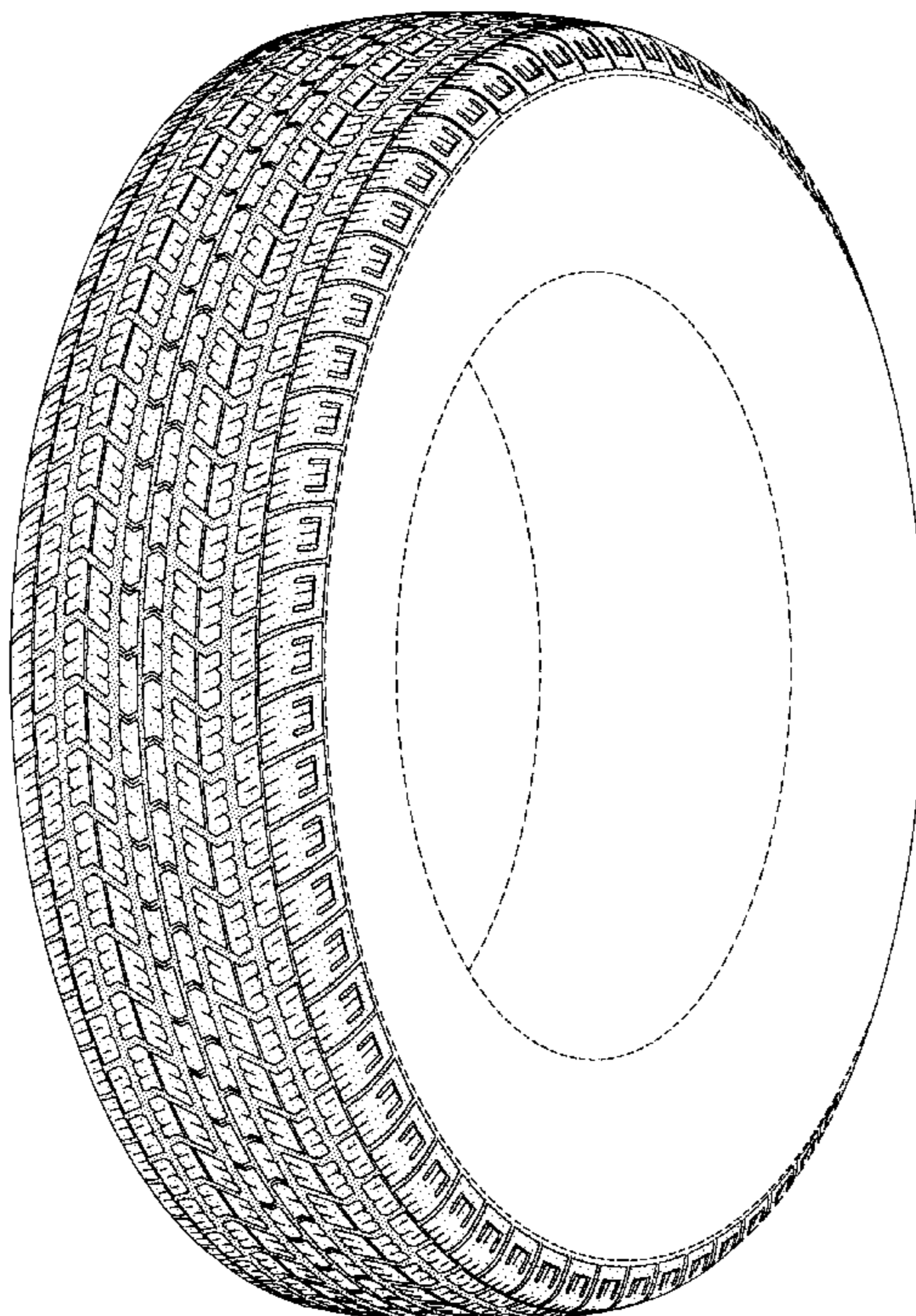
The ornamental design for a tire tread, as shown and described.

DESCRIPTION

FIG. 1 is a side perspective view of a tire tread showing our new design, it being understood that the tread pattern is repeated throughout the circumference of the tire tread, the opposite side being the same as that shown; FIG. 2 is a front elevational view thereof; FIG. 3 is a side elevational view of the right side thereof, the opposite side being identical thereto; and, FIG. 4 is an enlarged fragmentary front elevational view thereof.

The dark stippled surface shading represents the recessed portion of the tread grooves, having a depth as best shown in FIG. 2; the broken lines defining the tire sidewall and inner bead and the peripheral boundary between the tire tread and sidewall are for illustrative purposes only and form no part of the claimed design.

1 Claim, 4 Drawing Sheets



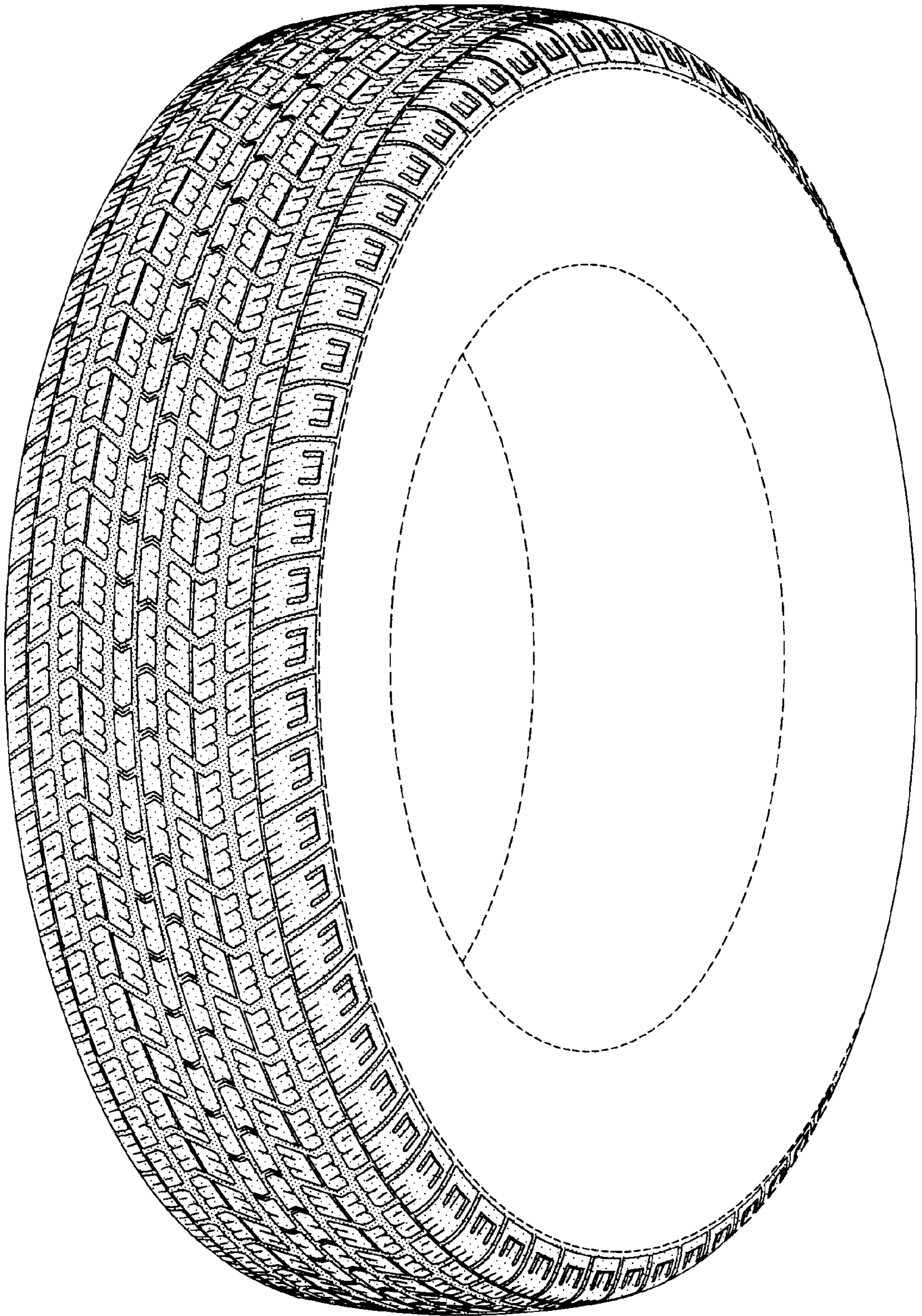


FIG-1

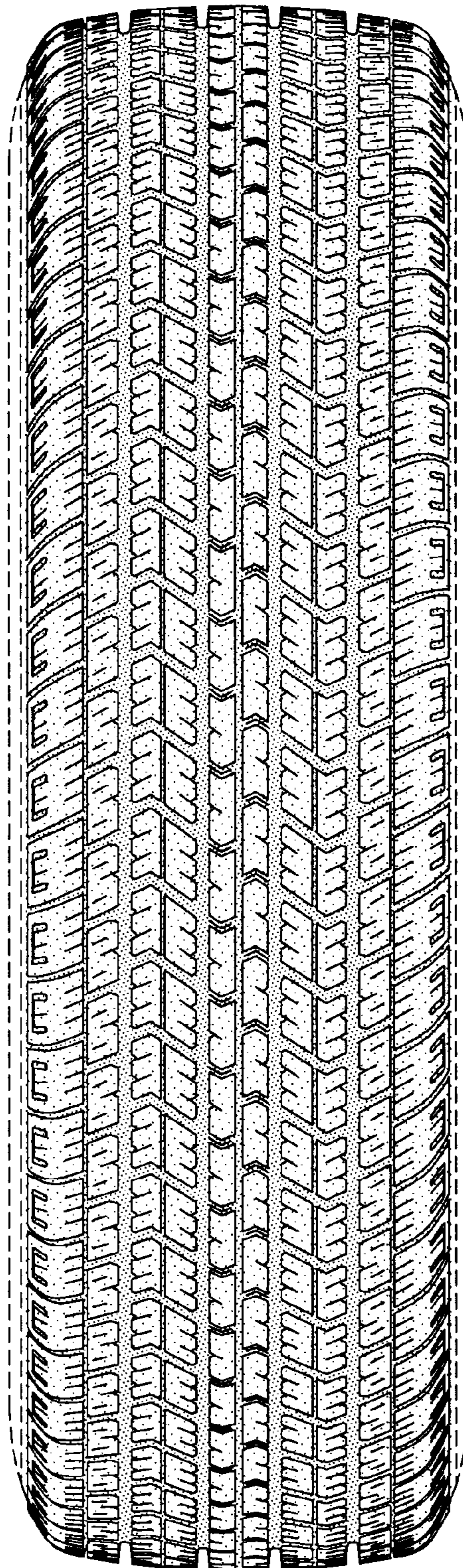


FIG-2

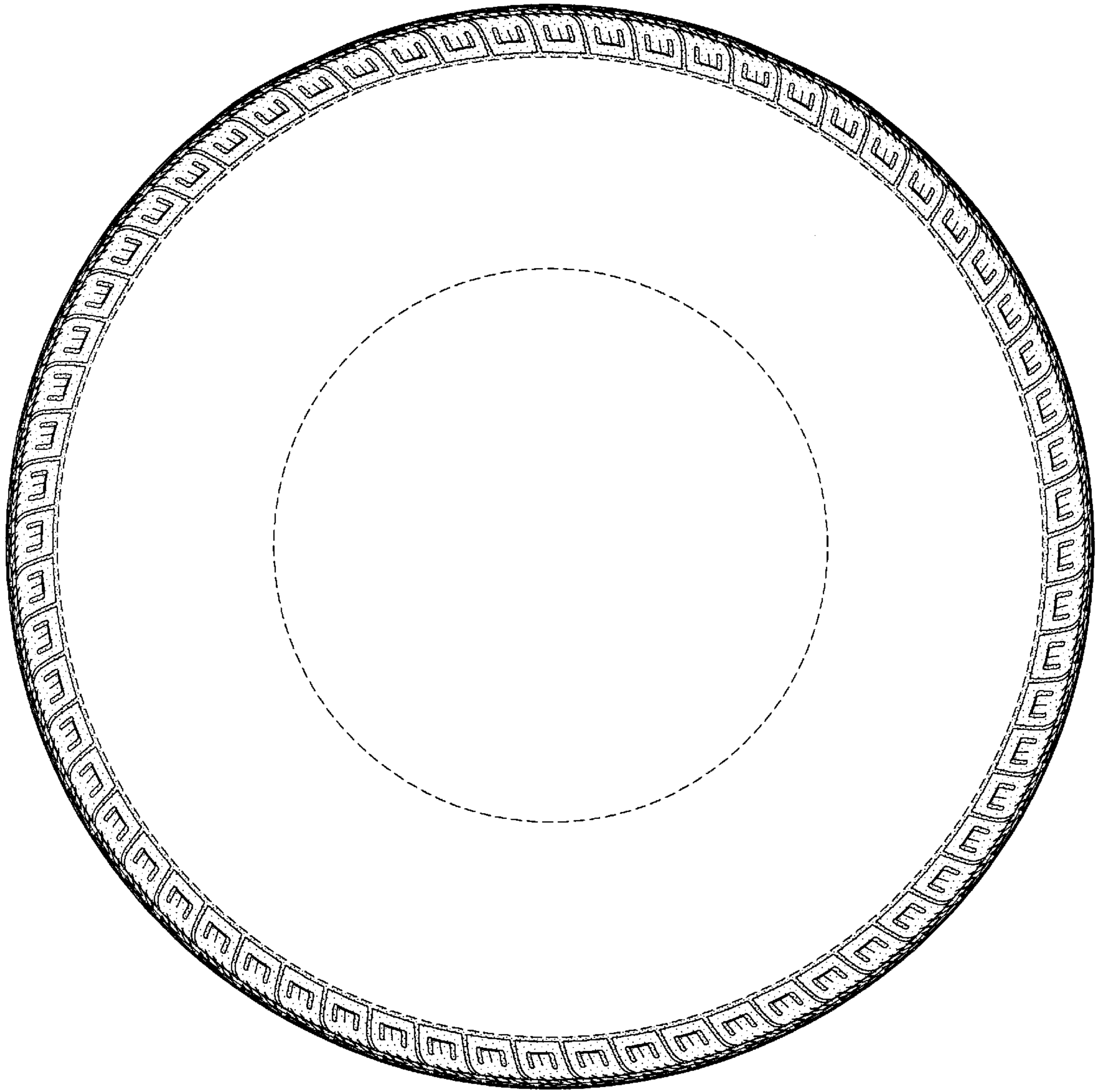


FIG-3

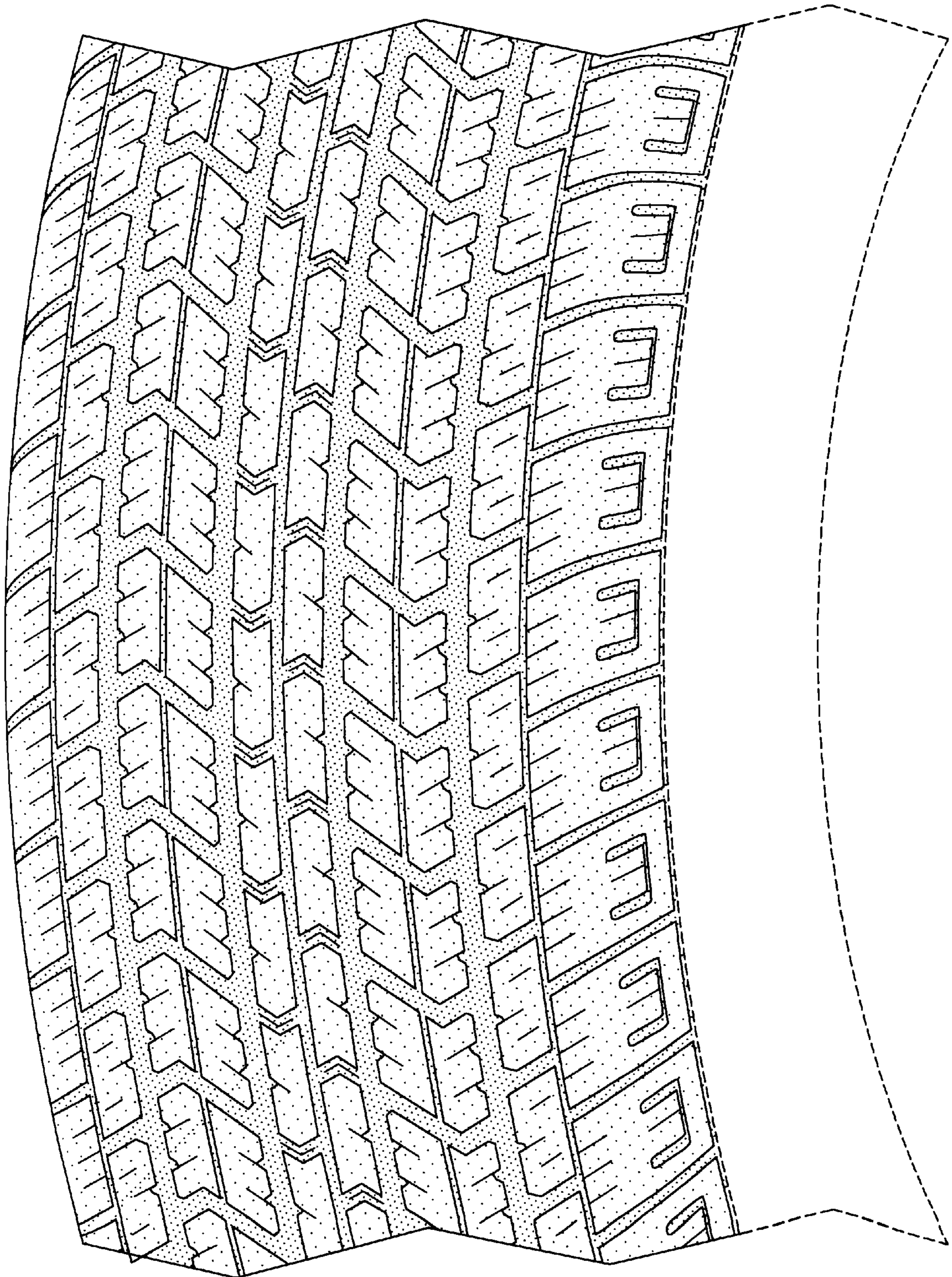


FIG-4