



US00D430078S

United States Patent [19]

[11] **Patent Number: Des. 430,078**

Ellis et al.

[45] **Date of Patent: ** Aug. 29, 2000**

[54] FABRIC CHAIR WITH THREE STAIR CLIMBING WHEELS

[75] Inventors: **Jonathan Stewart Ellis**, Bradford; **Philip Ian Ward**, Settle; **Alan Jackson**, Bradford, all of United Kingdom

[73] Assignee: **Ferno-Washington, Inc.**, Wilmington, Ohio

[**] Term: **14 Years**

[21] Appl. No.: **29/105,689**

[22] Filed: **Jun. 1, 1999**

[30] Foreign Application Priority Data

Dec. 1, 1998 [GB] United Kingdom 2079523

[51] **LOC (7) Cl.** **12-12**

[52] **U.S. Cl.** **D12/131; D12/128**

[58] **Field of Search** **D12/128-133; 280/5.26, 5.28, 5.2, 5.24; 180/8.2, 907**

[56] References Cited

U.S. PATENT DOCUMENTS

D. 409,120	5/1999	Aughpin	D12/128
3,122,758	3/1964	Ferneau	5/82
3,283,839	11/1966	Brown et al.	180/8.2
5,375,277	12/1994	Carr et al.	5/625

OTHER PUBLICATIONS

Ferno Emergency Medical Equipment Catalog, copyright 1994, Model 40 Stair chair, p. 54.

Ferno Emergency Medical Equipment Catalog, copyright 1994, Model 42, 48 Stair chairs, pp. 55-56.

Ferno Emergency Medical Equipment Catalog, copyright 1994, Model 107 Combination Stretcher/Chairs, pp. 59-60.

Primary Examiner—Kay H. Chin

Attorney, Agent, or Firm—Killworth, Gottman, Hagan & Schaeff, LLP

[57] CLAIM

The ornamental design for a fabric chair with three stair climbing wheels, as shown.

DESCRIPTION

FIG. 1 is a perspective view of a fabric chair with three stair climbing wheels illustrating our new design;

FIG. 2 is a right side view of the design of FIG. 1;

FIG. 3 is a left side view of the design of FIG. 1;

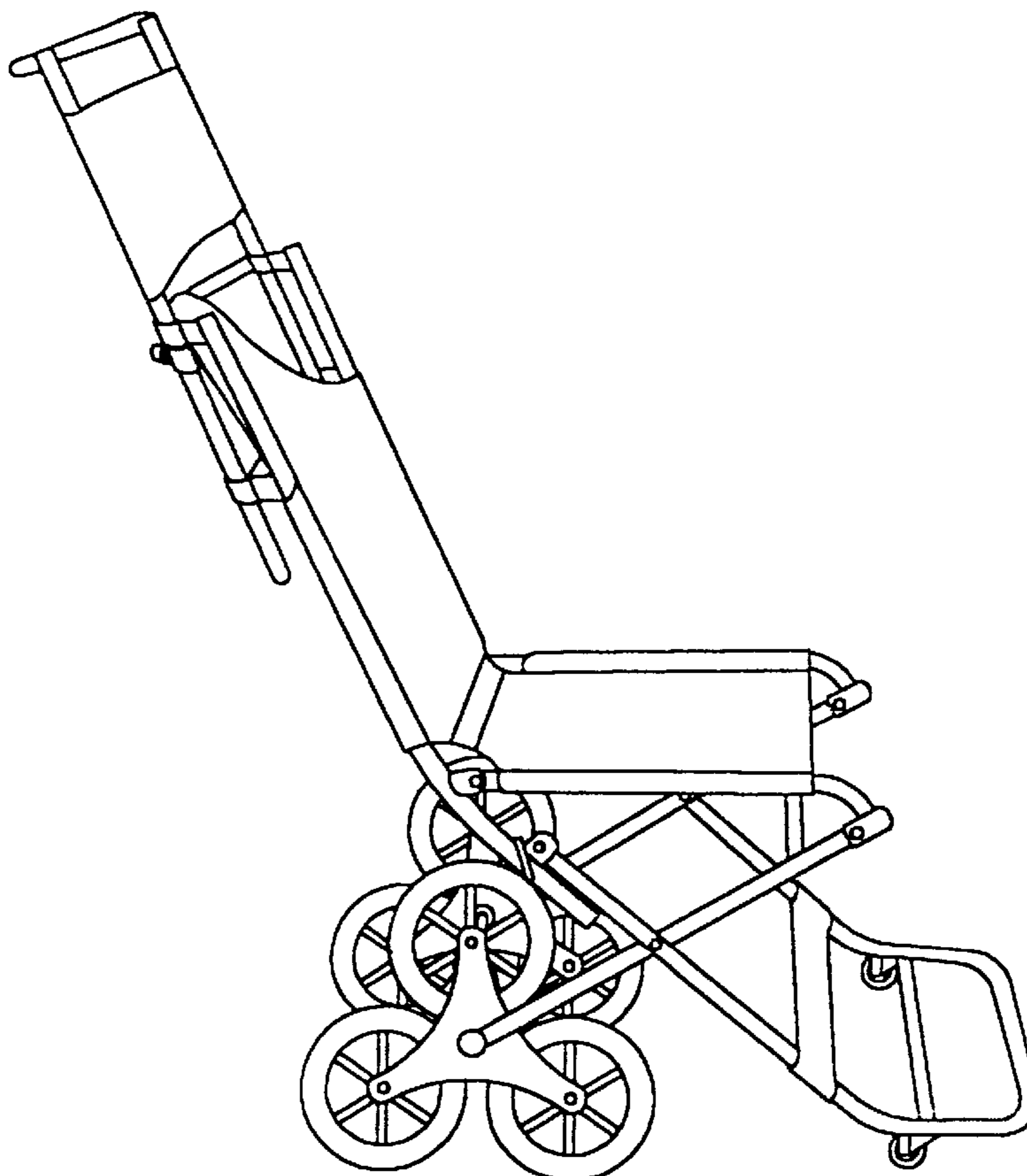
FIG. 4 is a rear view of the design of FIG. 1;

FIG. 5 is a rear view of the design of FIG. 1 illustrating the head rest support in a partially lowered position; and,

FIG. 6 is a rear view of the design of FIG. 1 illustrating the head rest support in a fully lowered position.

We hereby disclaim any surface ornamentation, logos, and written matter as depicted in the drawing figures, which form no part of our claimed design.

1 Claim, 6 Drawing Sheets



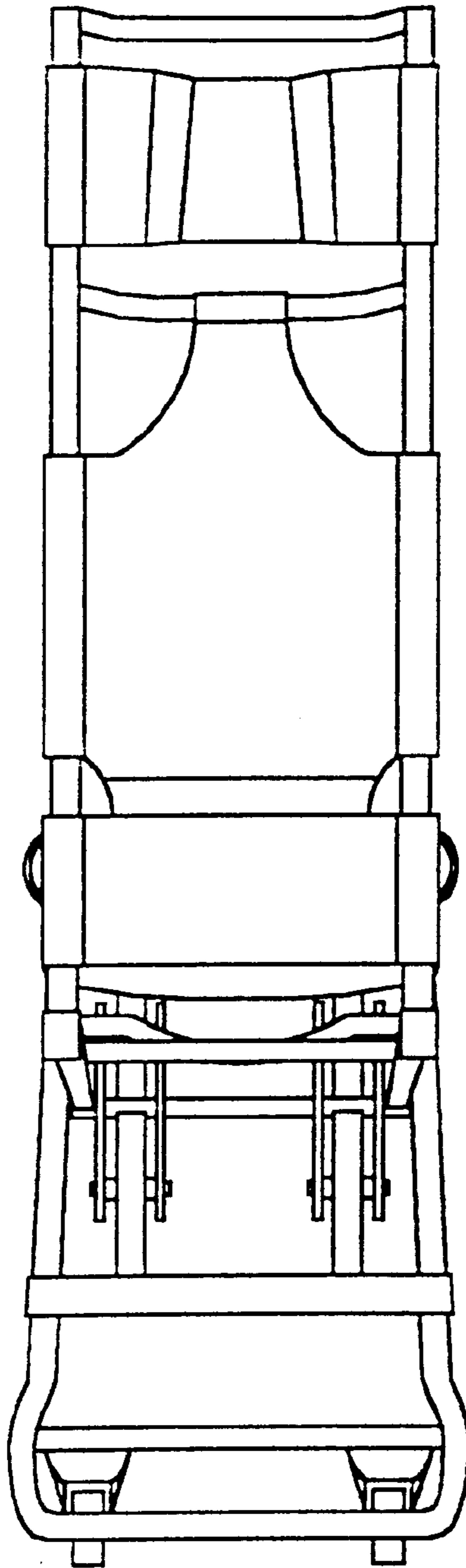


FIG. 1

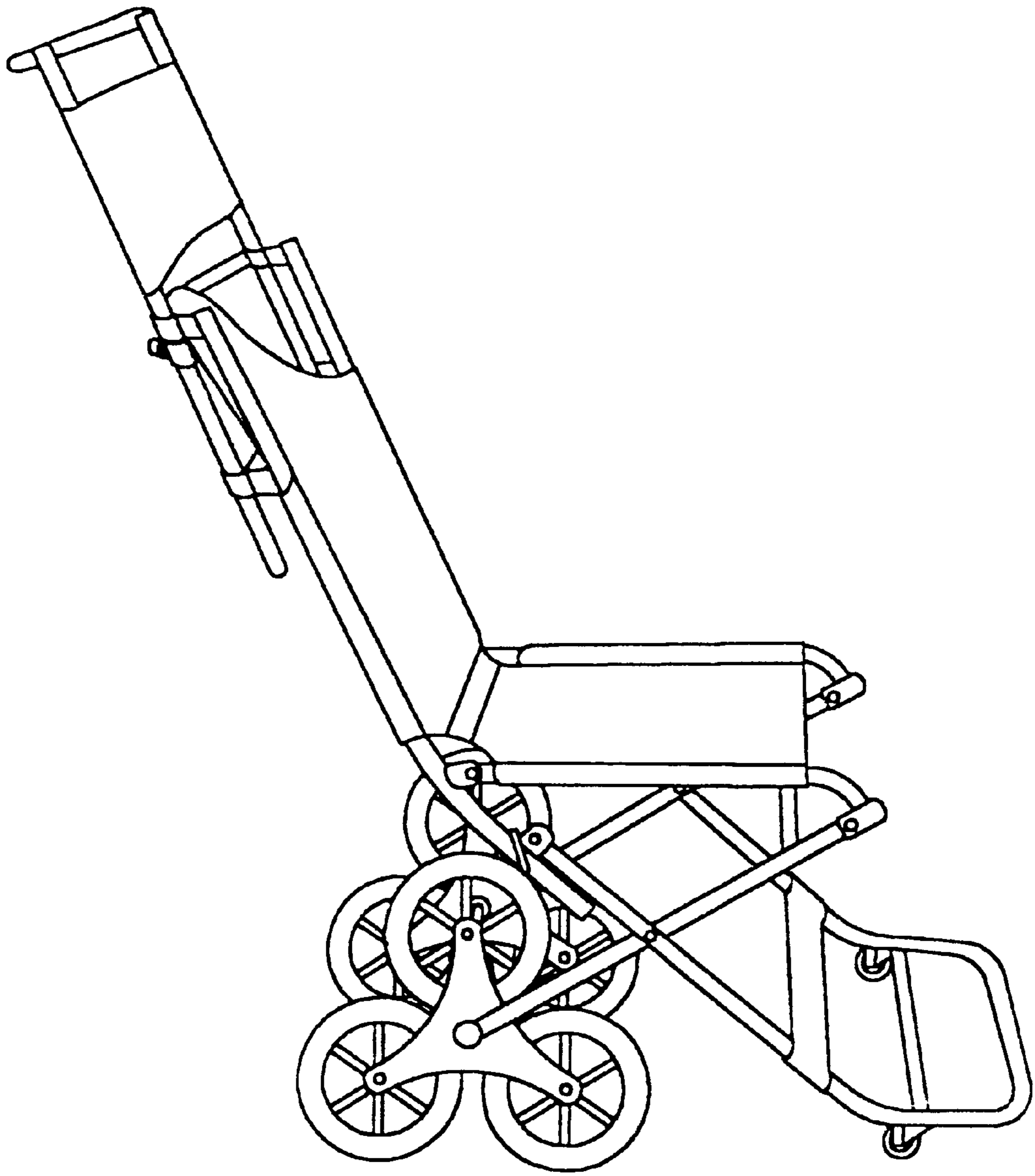


FIG. 2

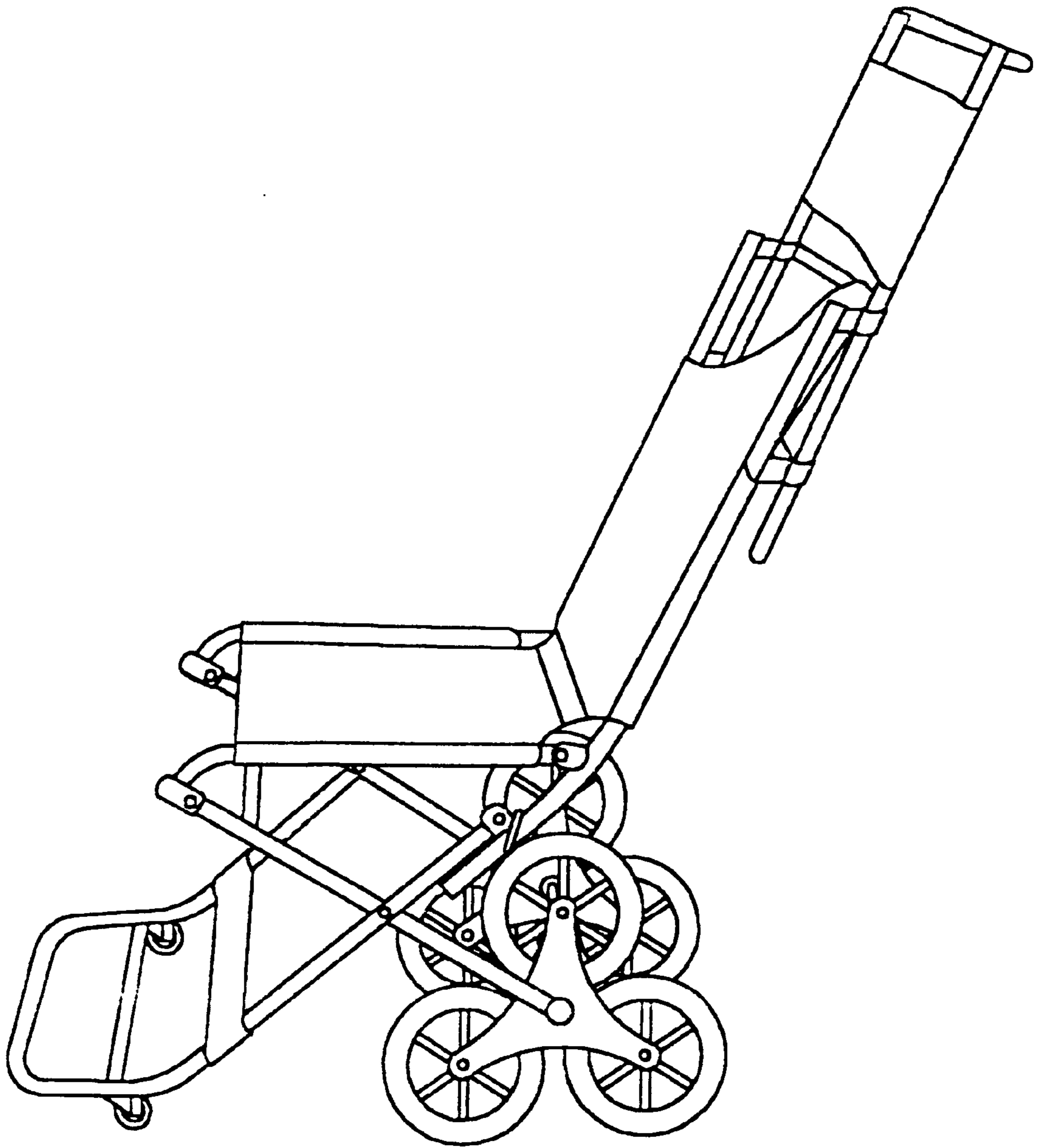


FIG. 3

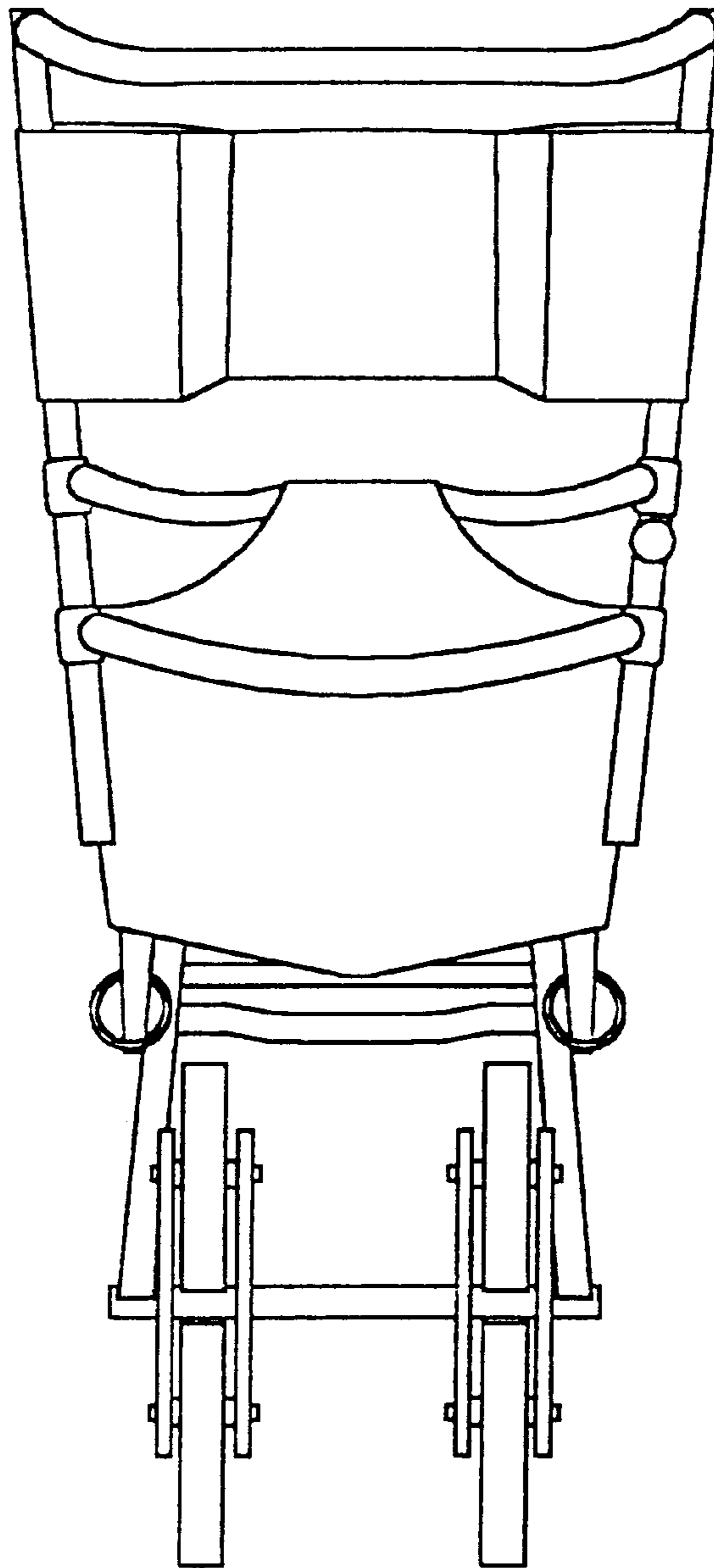


FIG. 4

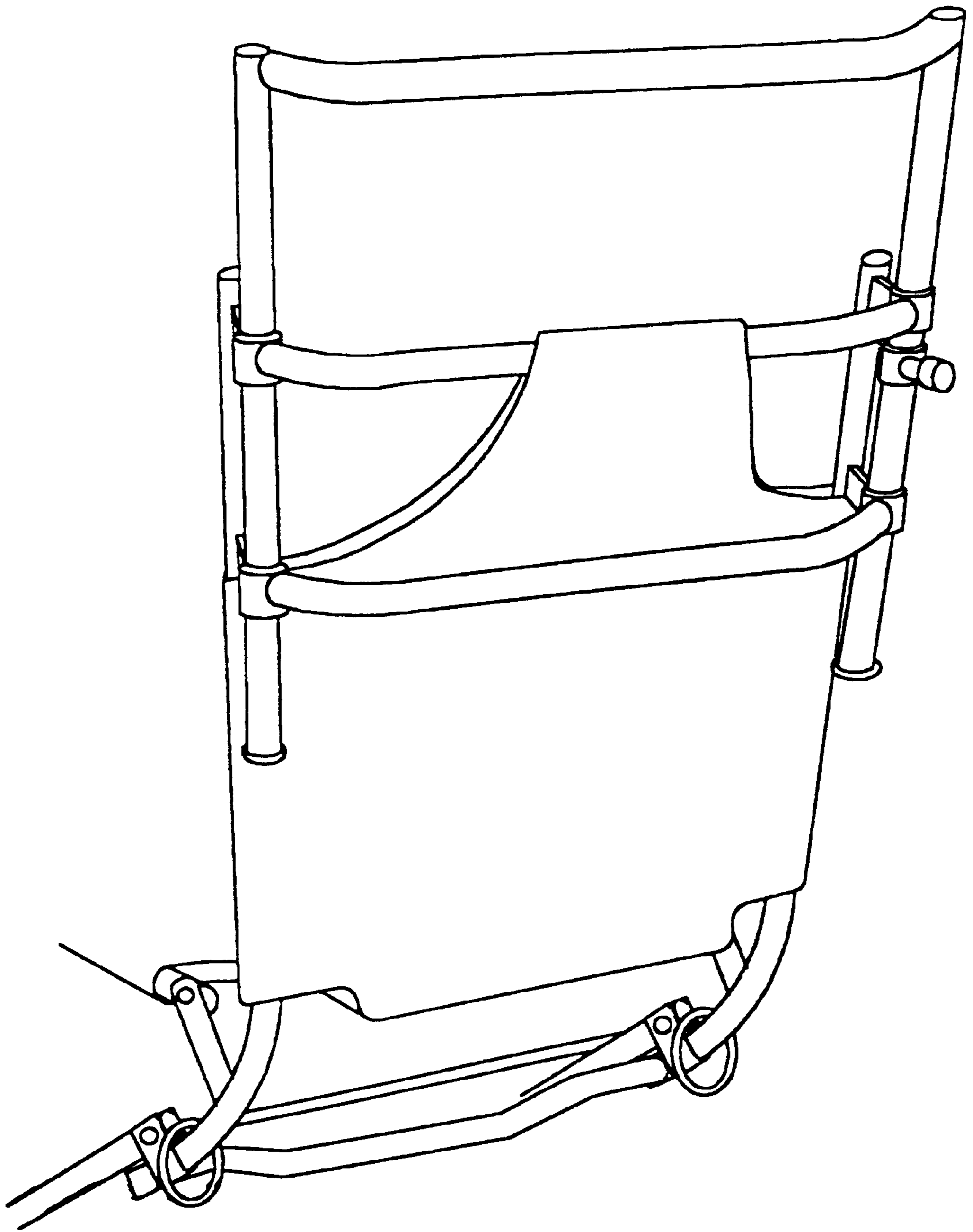


FIG. 5

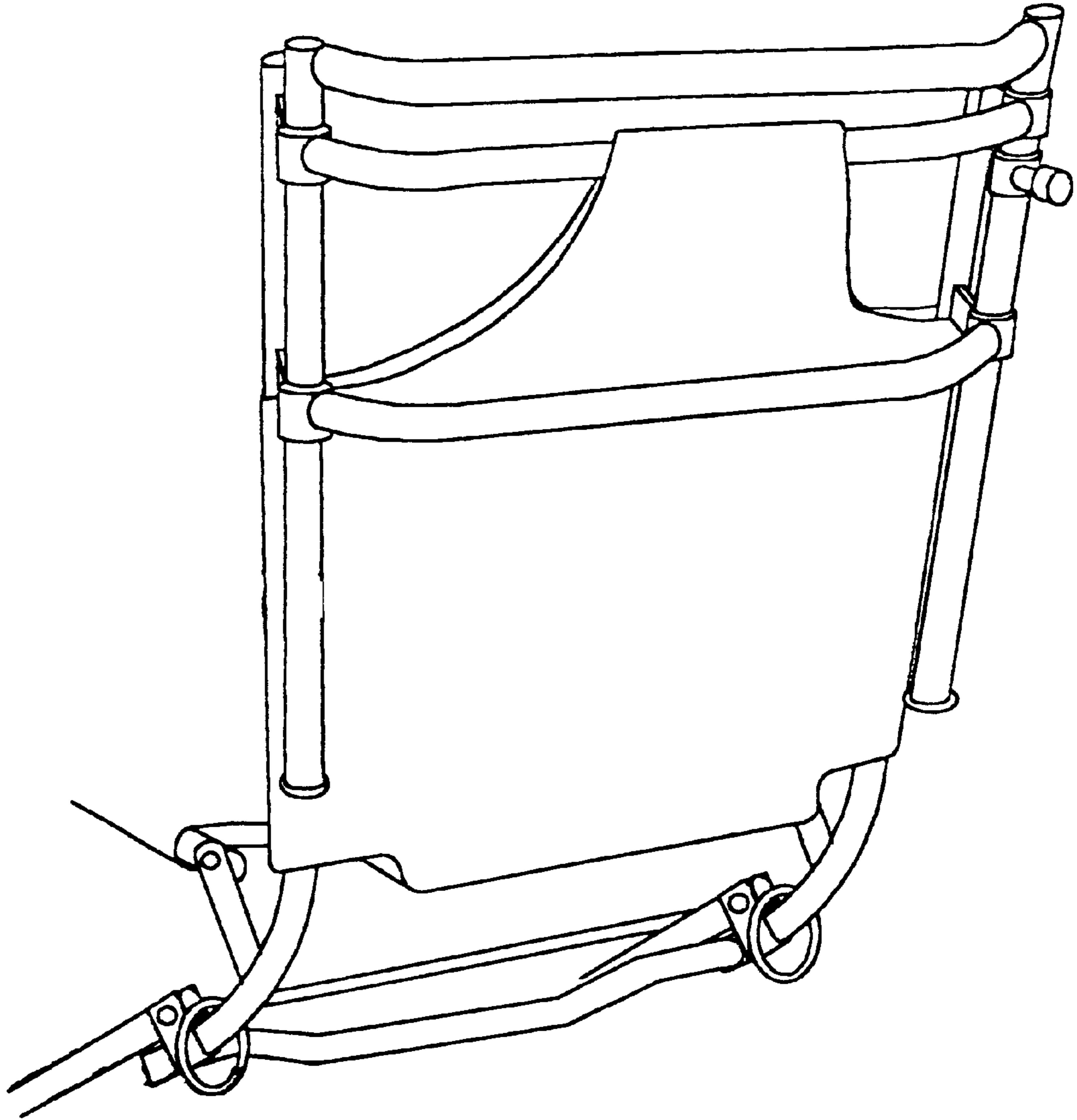


FIG. 6