



US00D430077S

# United States Patent [19]

Lee

[11] Patent Number: **Des. 430,077**

[45] Date of Patent: **\*\* Aug. 29, 2000**

[54] **UMBRELLA TWIN BUGGY**

5,197,753 3/1993 Liu ..... 280/642

[76] Inventor: **Fan-Shen Lee**, 2F., No. 287, Fu Hsin Rd., San Hsia Chen, Taipei Hsien, Taiwan

*Primary Examiner*—Kay H. Chin  
*Attorney, Agent, or Firm*—Varndell & Varndell PLLC

[\*\*] Term: **14 Years**

[57] **CLAIM**

The ornamental design for umbrella twin buggy, as shown and described.

[21] Appl. No.: **29/119,975**

[22] Filed: **Mar. 14, 2000**

### DESCRIPTION

[51] **LOC (7) Cl.** ..... **12-12**

[52] **U.S. Cl.** ..... **D12/129; D12/128**

[58] **Field of Search** ..... **D12/128-133; 280/642-644, 647, 650, 658, 47.38, 657**

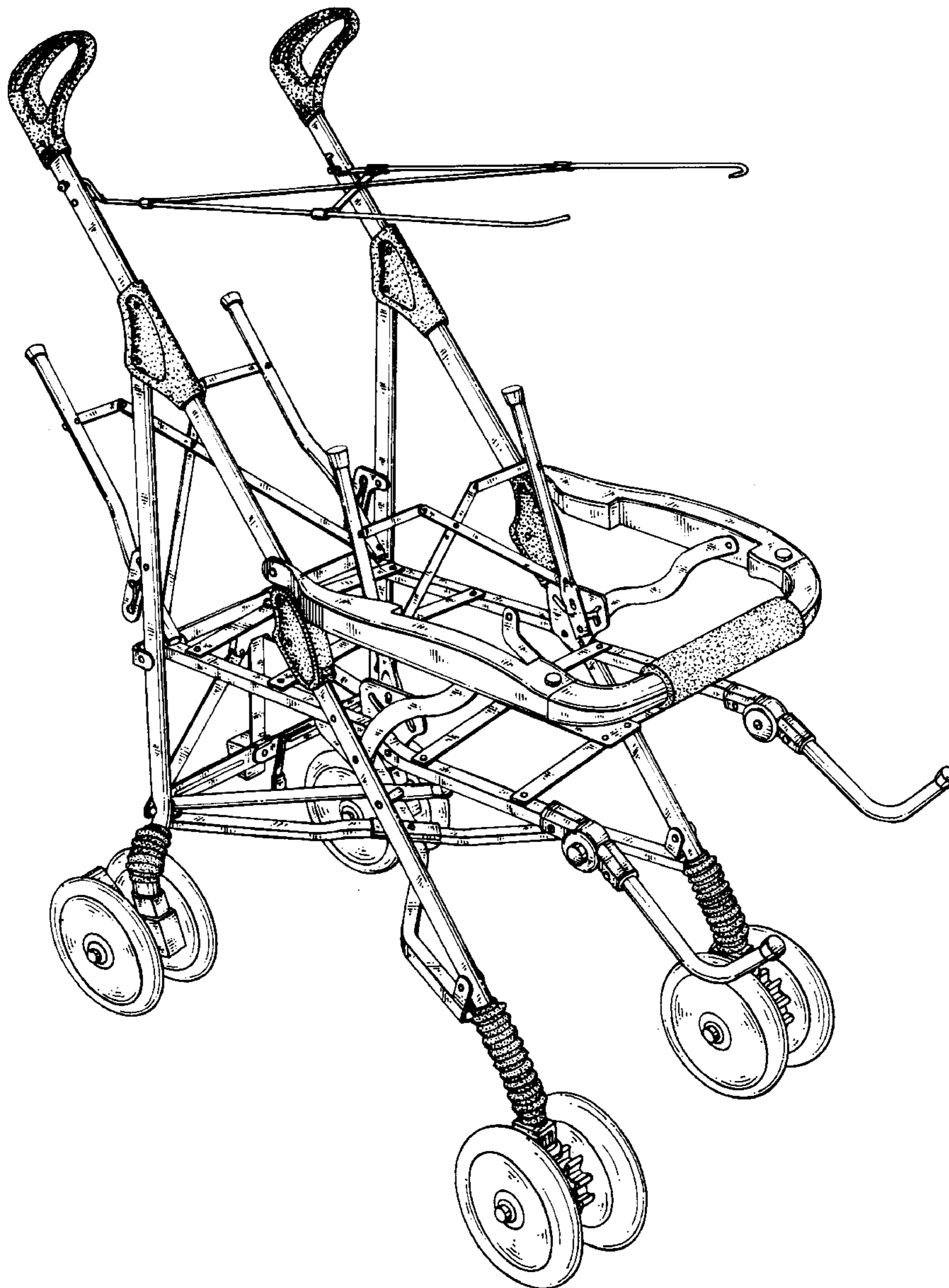
FIG. 1 is a perspective view of an umbrella twin buggy showing my new design;  
FIG. 2 is a front elevational view thereof;  
FIG. 3 is a rear elevational view thereof;  
FIG. 4 is a side elevational view thereof, the opposite side being a mirror image of that shown;  
FIG. 5 is a top plan view thereof; and,  
FIG. 6 is a bottom plan view thereof.

### [56] **References Cited**

#### U.S. PATENT DOCUMENTS

D. 296,540 7/1988 Perego ..... D12/129

**1 Claim, 6 Drawing Sheets**



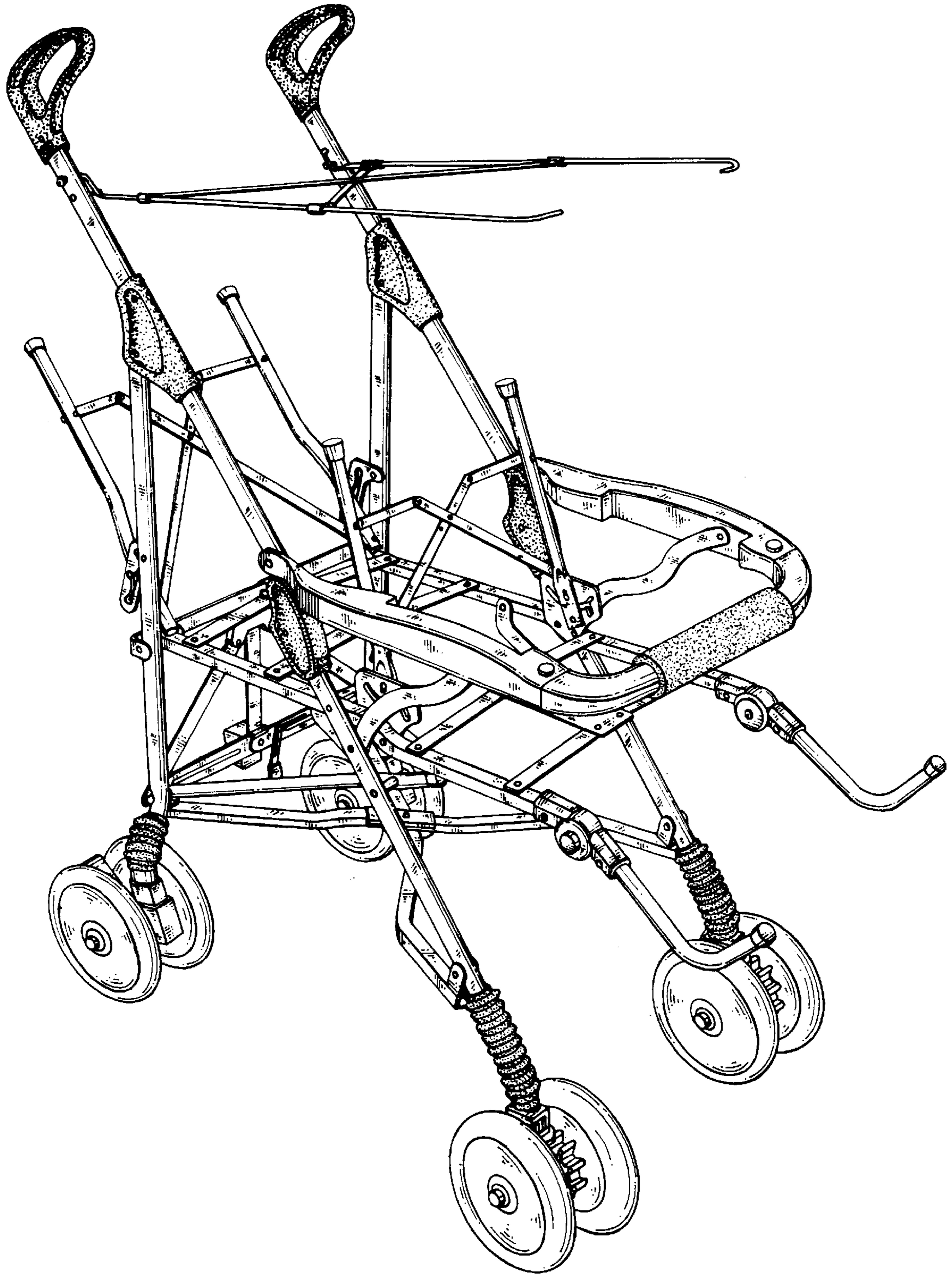


Fig. 1



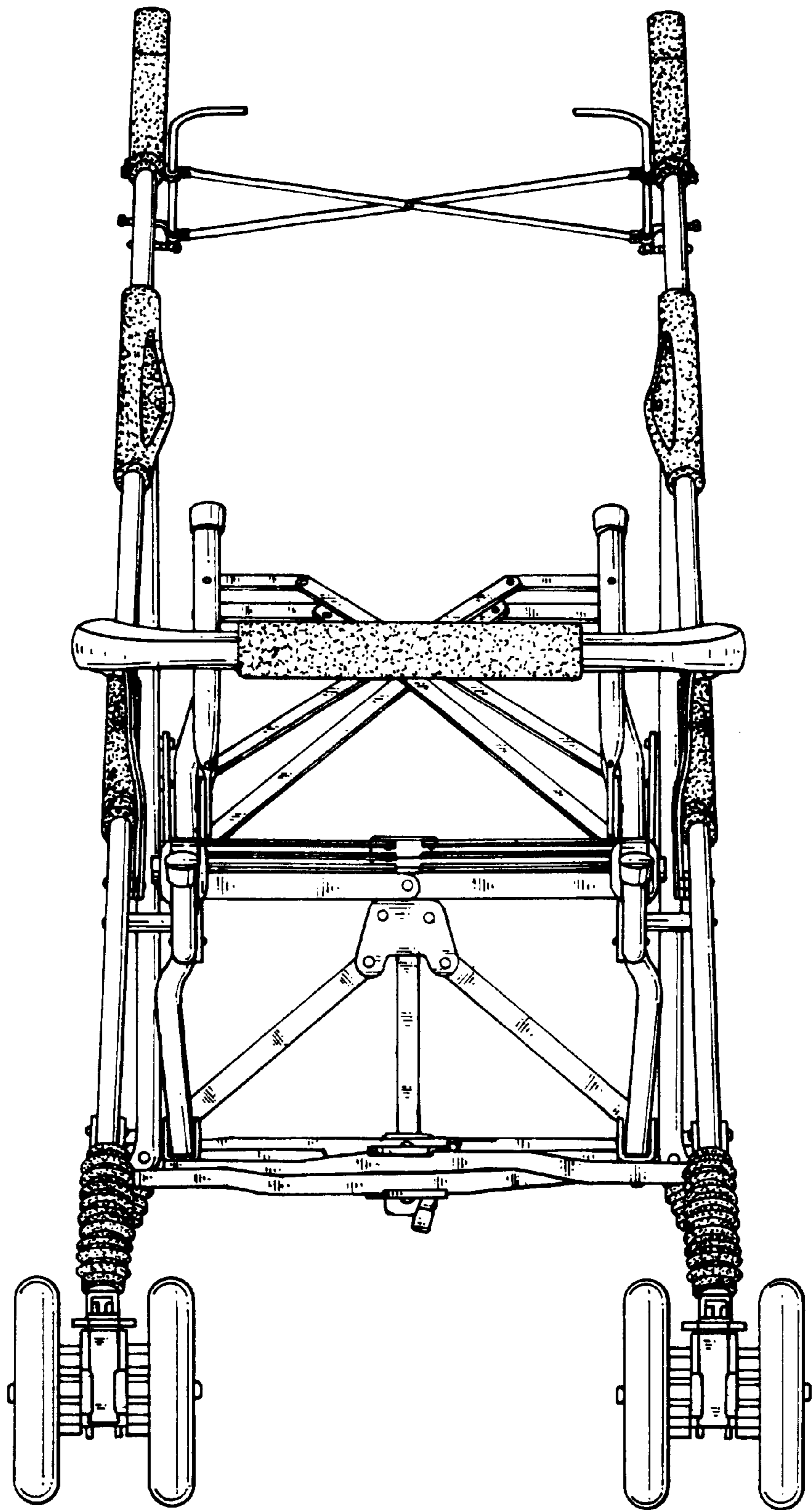


Fig. 2

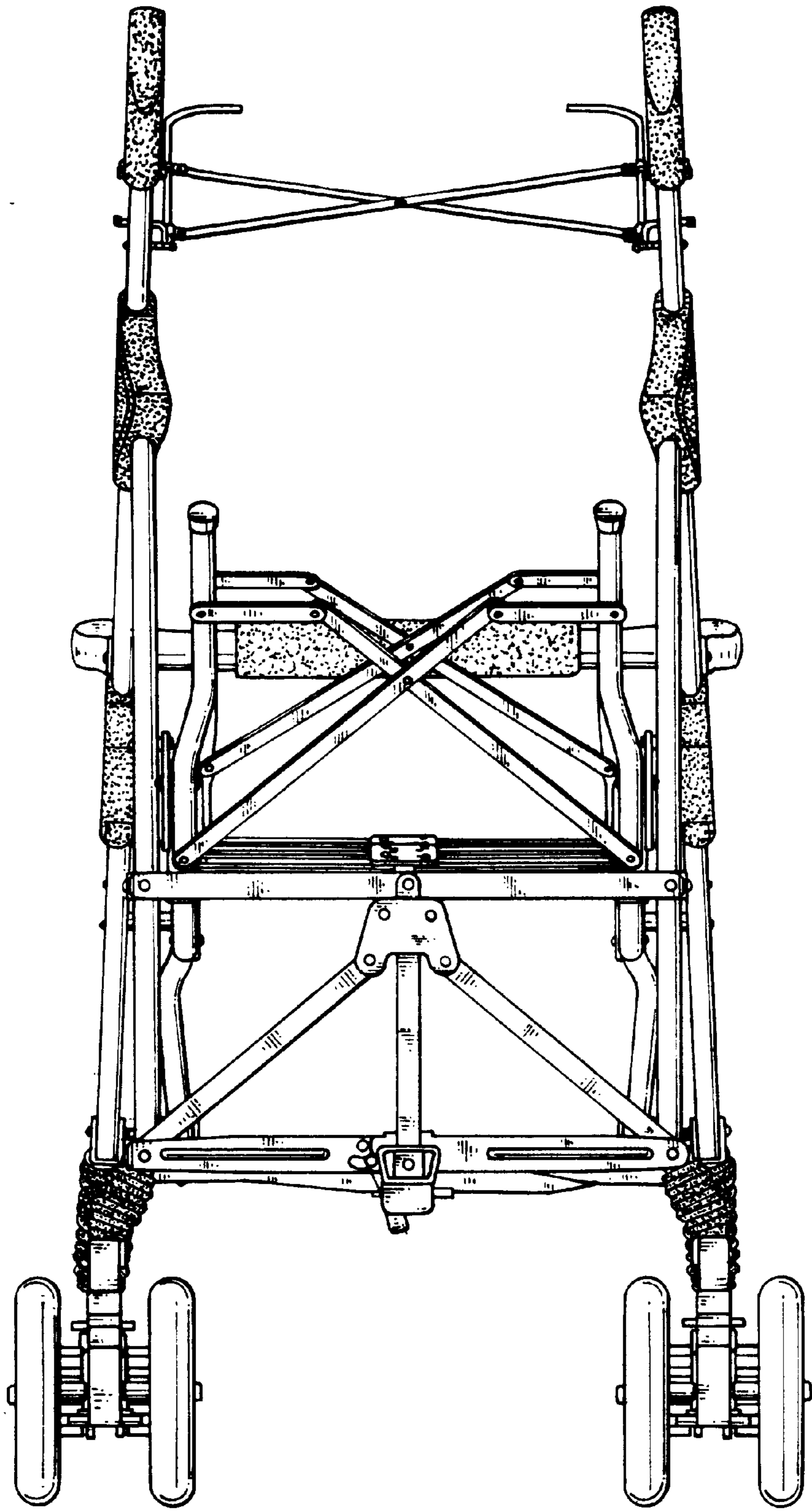


Fig. 3

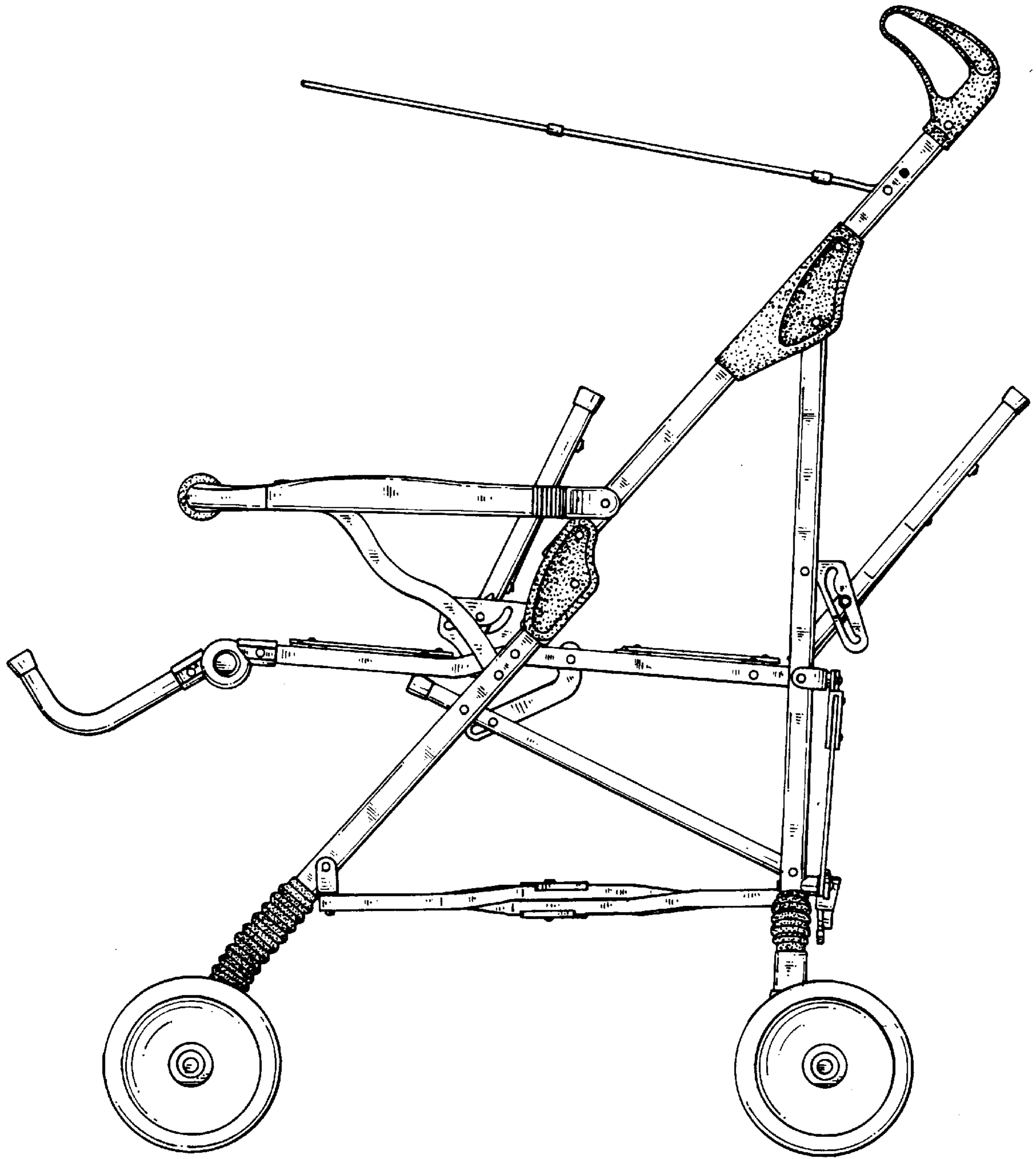


Fig. 4

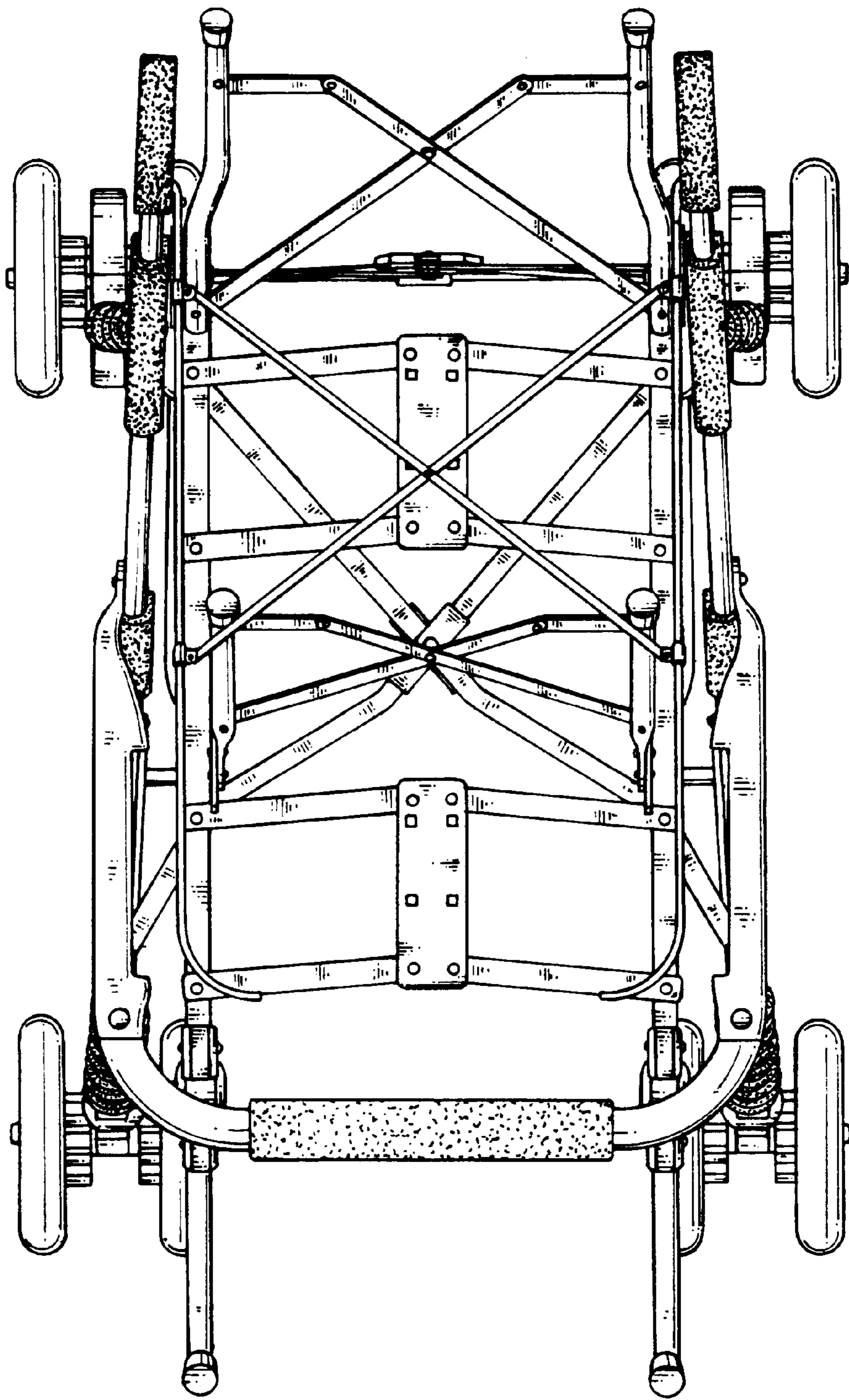


Fig. 5



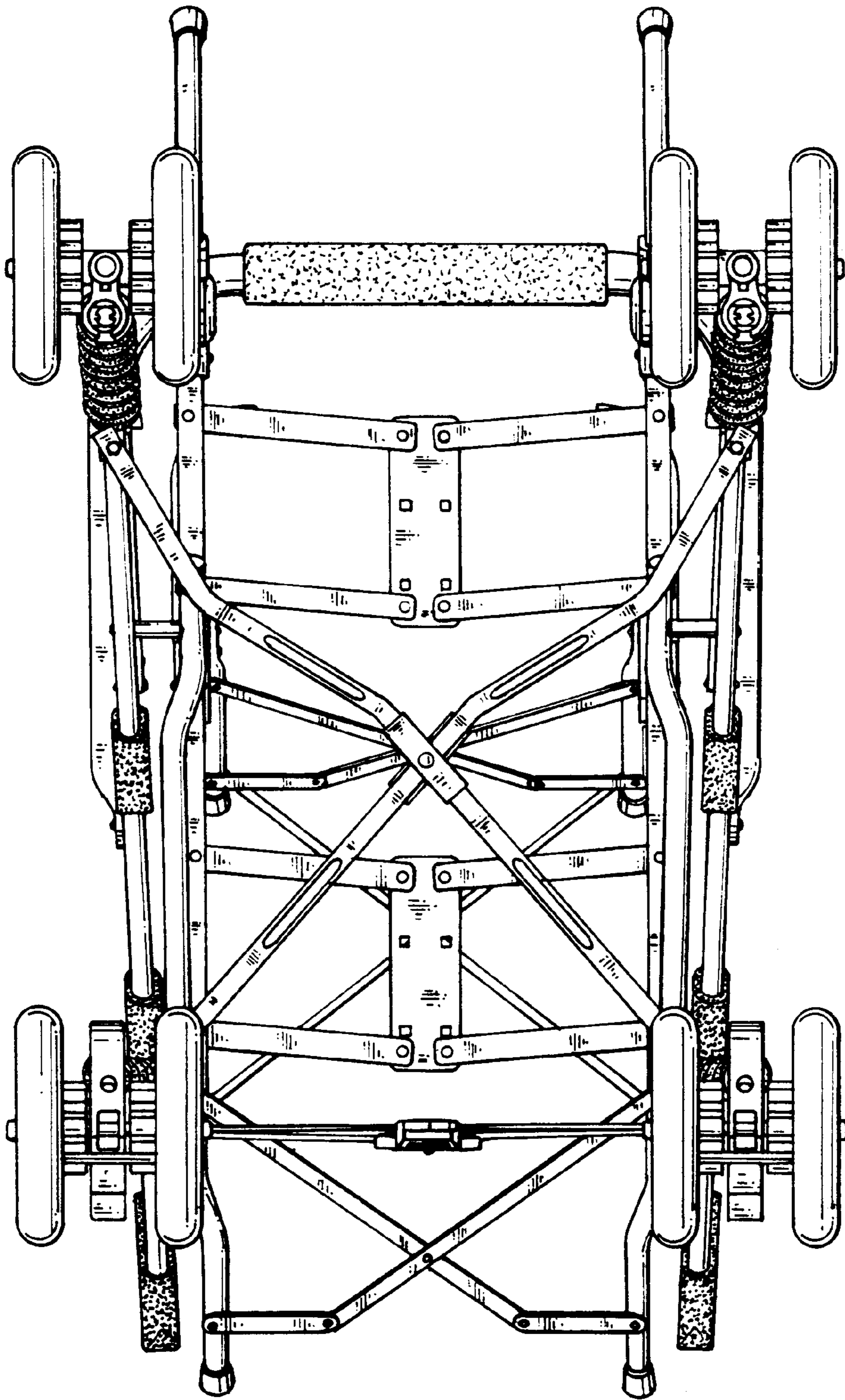


Fig. 6