



US00D430074S

# United States Patent [19] Bulger

[11] **Patent Number: Des. 430,074**

[45] **Date of Patent: \*\* Aug. 29, 2000**

[54] **INSPECTION PLATE FOR MOTORCYCLES**

[76] Inventor: **George F. Bulger**, 45 Manchester Rd.,  
Eastchester, N.Y. 10709

[\*\*] Term: **14 Years**

[21] Appl. No.: **29/110,877**

[22] Filed: **Sep. 15, 1999**

D. 357,216	4/1995	Davidson et al.	.....	D12/126
D. 367,444	2/1996	Davidson et al.	.....	D12/126
D. 376,566	12/1996	Davidson et al.	.....	D12/126
D. 377,637	1/1997	Berry, Jr.	.....	D12/193
D. 416,520	11/1999	Bulger	.....	D12/114

*Primary Examiner*—Melody N. Brown  
*Attorney, Agent, or Firm*—Scully, Scott Murphy & Presser

### Related U.S. Application Data

[62] Division of application No. 29/078,562, Oct. 29, 1997.

[51] **LOC (7) Cl.** ..... **12-11**

[52] **U.S. Cl.** ..... **D12/114**

[58] **Field of Search** ..... D12/114, 126,  
D12/195; 280/288.4; 180/219

### References Cited

#### U.S. PATENT DOCUMENTS

D. 159,747	8/1950	Morris	.....	D12/193
D. 308,849	6/1990	Short et al.	.....	D12/193

### [57] CLAIM

The ornamental design for an inspection plate for motorcycles, as shown and described.

### DESCRIPTION

FIG. 1 is a front view of the inspection plate for motorcycles showing my new and ornamental design, the opposite side being plain and unadorned;

FIG. 2 is an end view thereof;

FIG. 3 is an opposite end view thereof;

FIG. 4 is a side view thereof; and,

FIG. 5 is an opposite side view thereof.

**1 Claim, 1 Drawing Sheet**

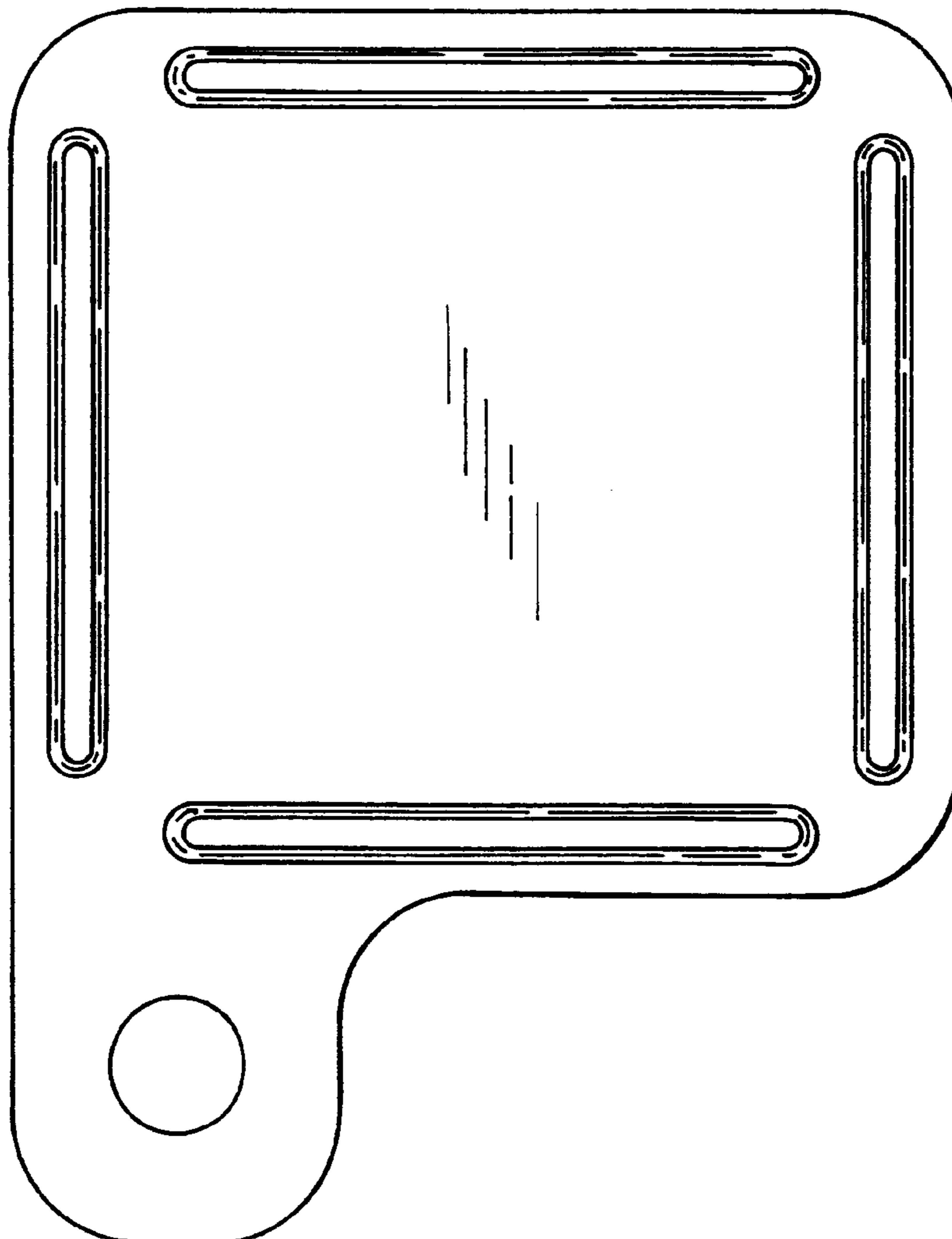




FIG. 5

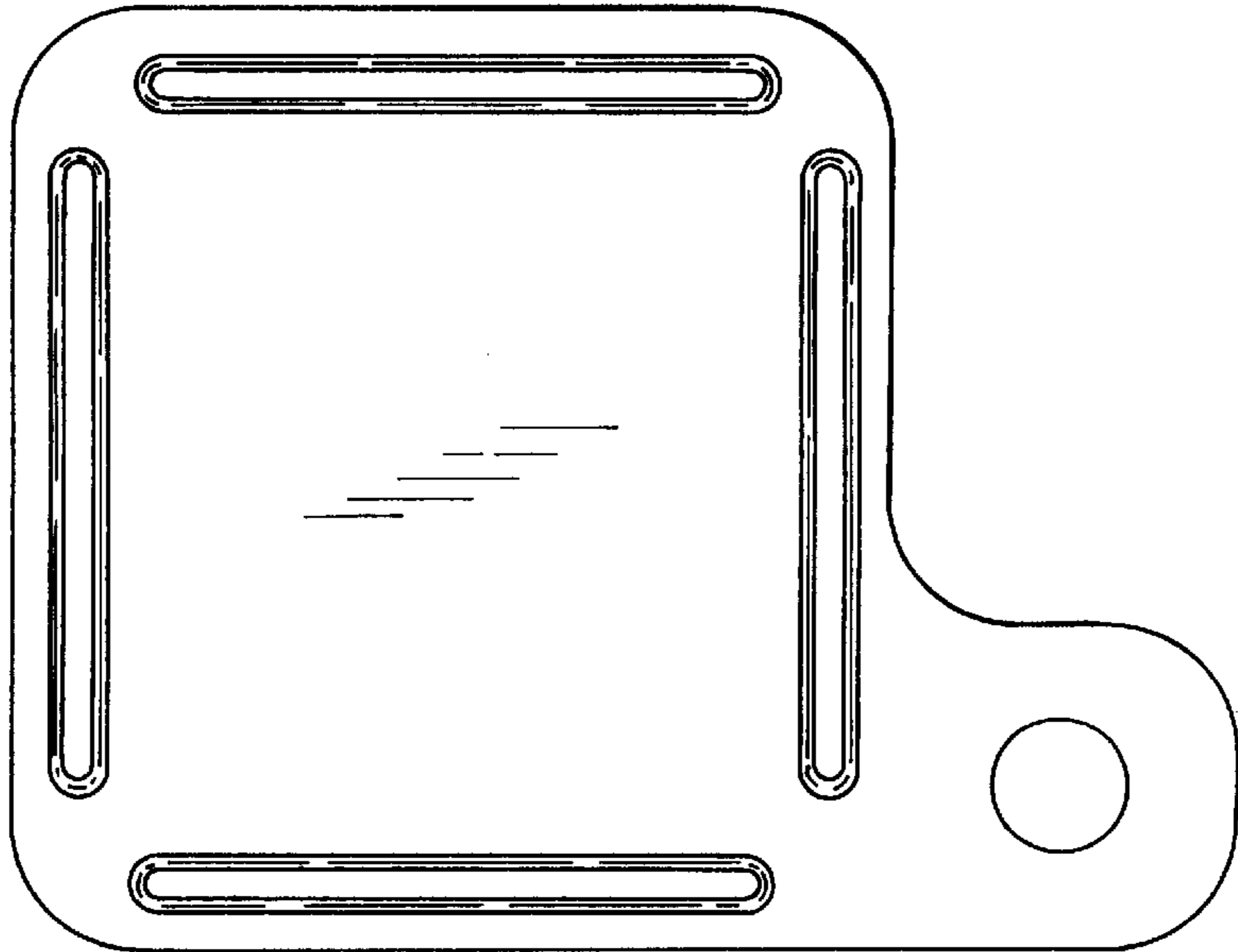


FIG. 1



FIG. 4



FIG. 2



FIG. 3