



US00D430071S

United States Patent [19]
Hudnall

[11] **Patent Number: Des. 430,071**

[45] **Date of Patent: ** Aug. 29, 2000**

[54] **DOLLY TRIKE**

[76] Inventor: **Alton Hudnall**, 1720 Lexington Pl.,
Bedford, Tex. 76022

[**] Term: **14 Years**

[21] Appl. No.: **29/101,446**

[22] Filed: **Mar. 4, 1999**

[51] **LOC (7) Cl.** **12-11**

[52] **U.S. Cl.** **D12/112**

[58] **Field of Search** D12/112; 280/267,
280/282, 259, 269, 288.1, 281.1, 201

[56] **References Cited**

U.S. PATENT DOCUMENTS

D. 148,055	12/1947	Eubank	D12/112
D. 320,586	10/1991	Tellinghuisen	D12/112
D. 385,230	10/1997	Han et al.	D12/112
4,451,064	5/1984	Perkins	280/259
4,786,070	11/1988	Adee	280/288.1

5,201,538	4/1993	Mayn	280/288.1
5,509,678	4/1996	Ullman et al.	280/281.1
5,620,196	4/1997	Belik	280/281.1
5,851,017	12/1998	Eden	280/201

Primary Examiner—Pamela Burgess
Attorney, Agent, or Firm—James E. Bradley; Felsman,
Bradley, Vaden, Gunter & Dillon, LLP

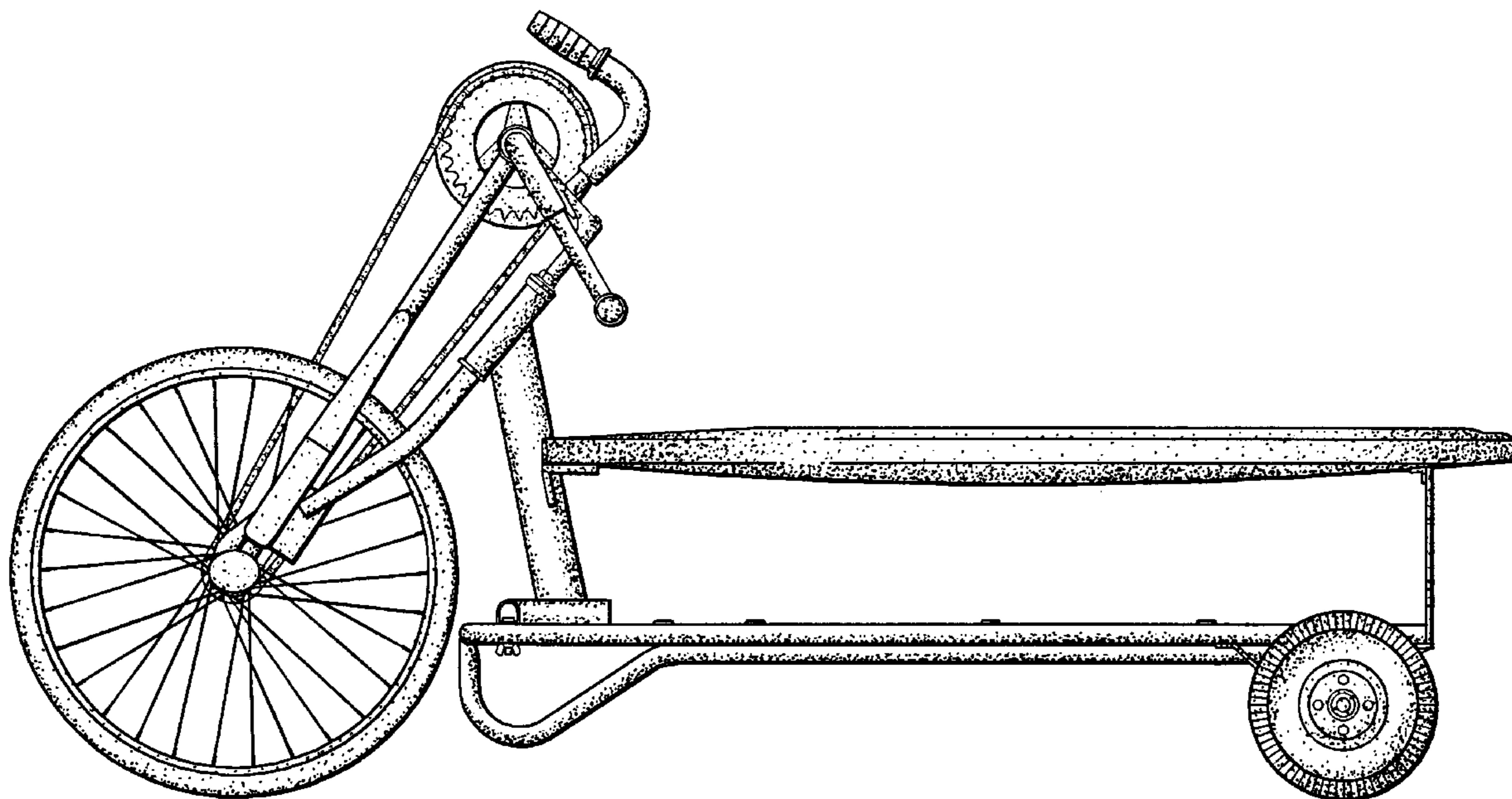
[57] **CLAIM**

The ornamental design for a dolly trike, as shown and described.

DESCRIPTION

FIG. 1 is a right side view of the dolly trike of the present invention;
FIG. 2 is a front view thereof;
FIG. 3 is a left side view thereof;
FIG. 4 is a top view thereof;
FIG. 5 is a rear view thereof; and,
FIG. 6 is a bottom view thereof.

1 Claim, 4 Drawing Sheets



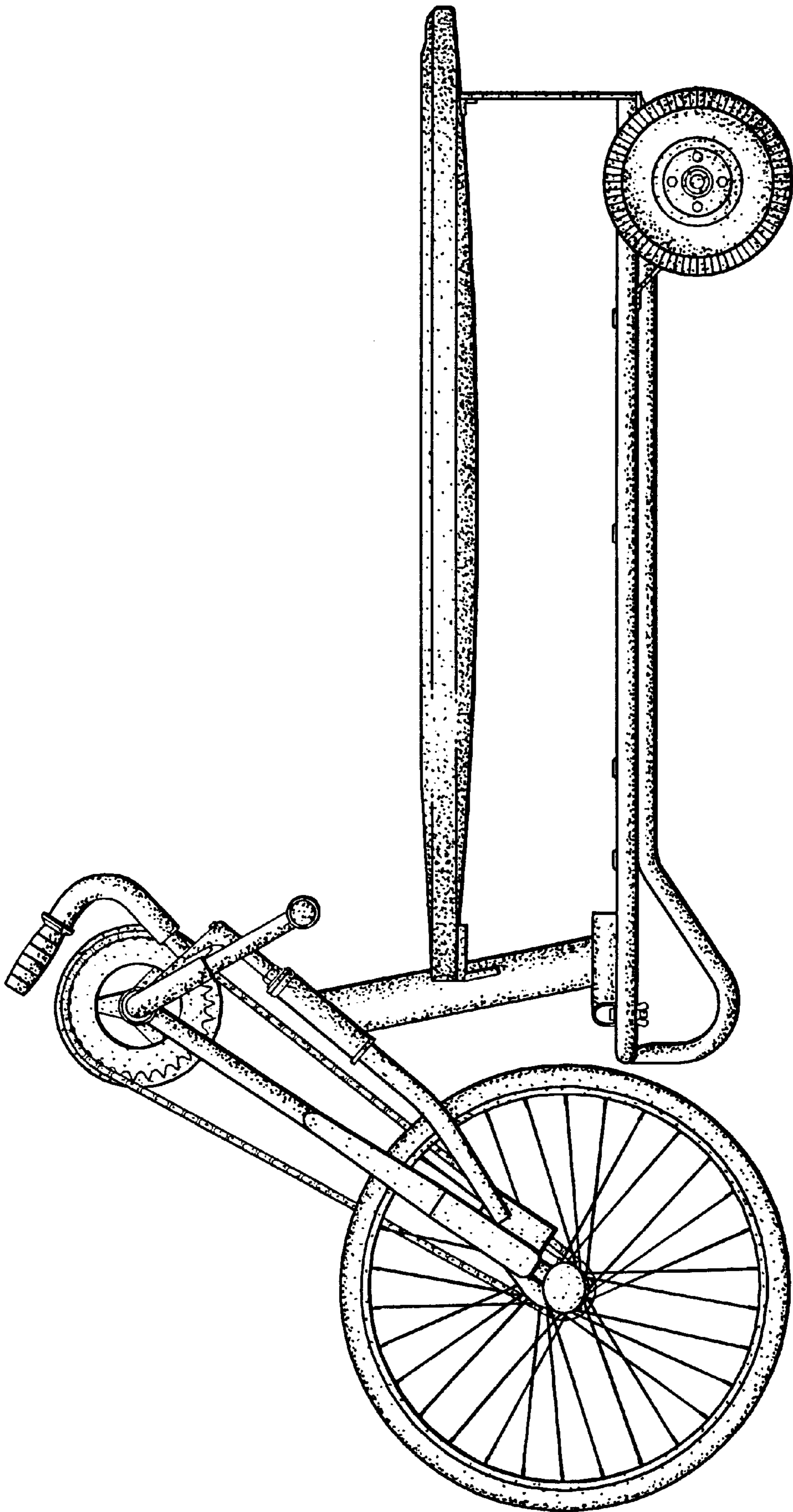


Fig. 1

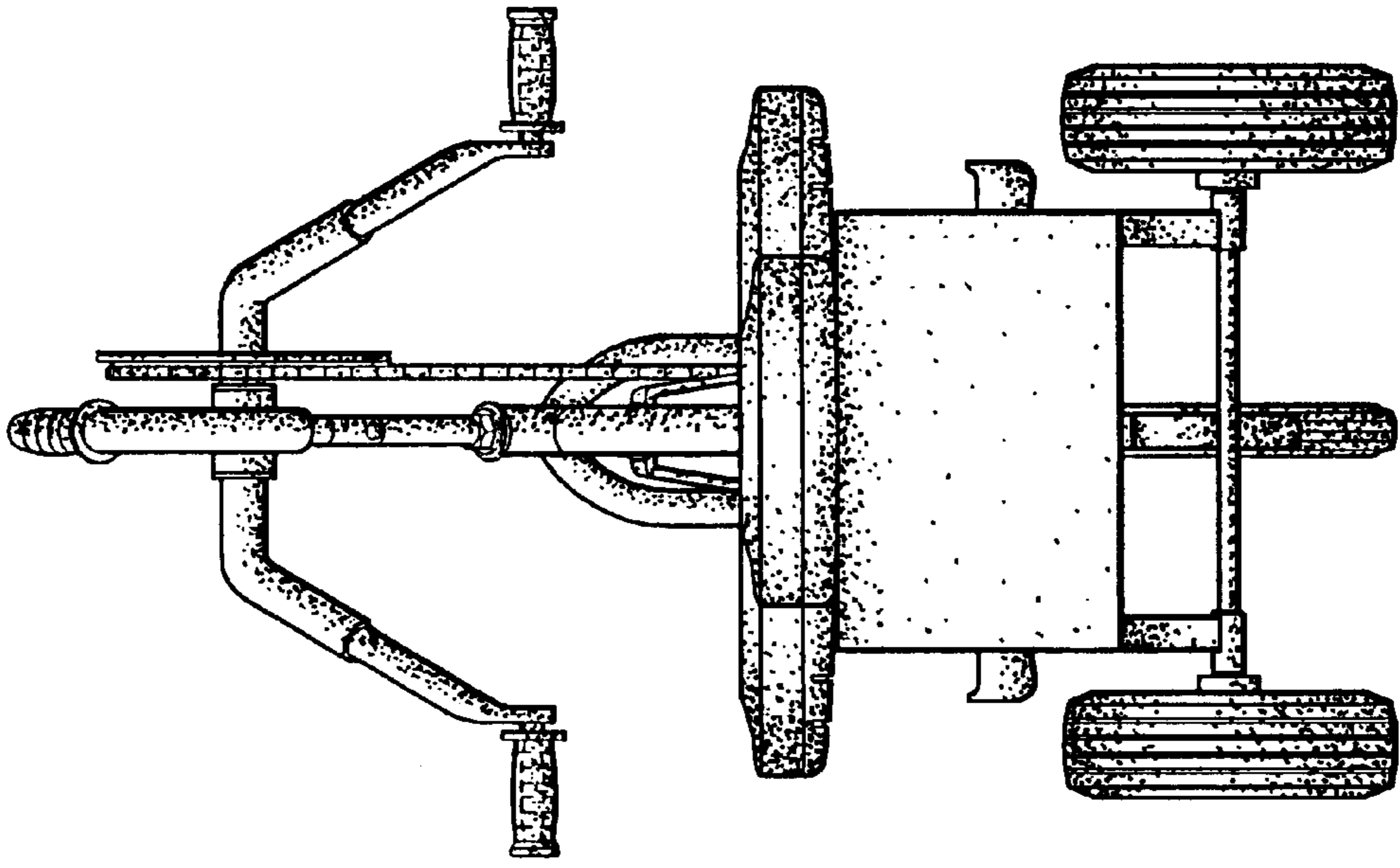


Fig. 5

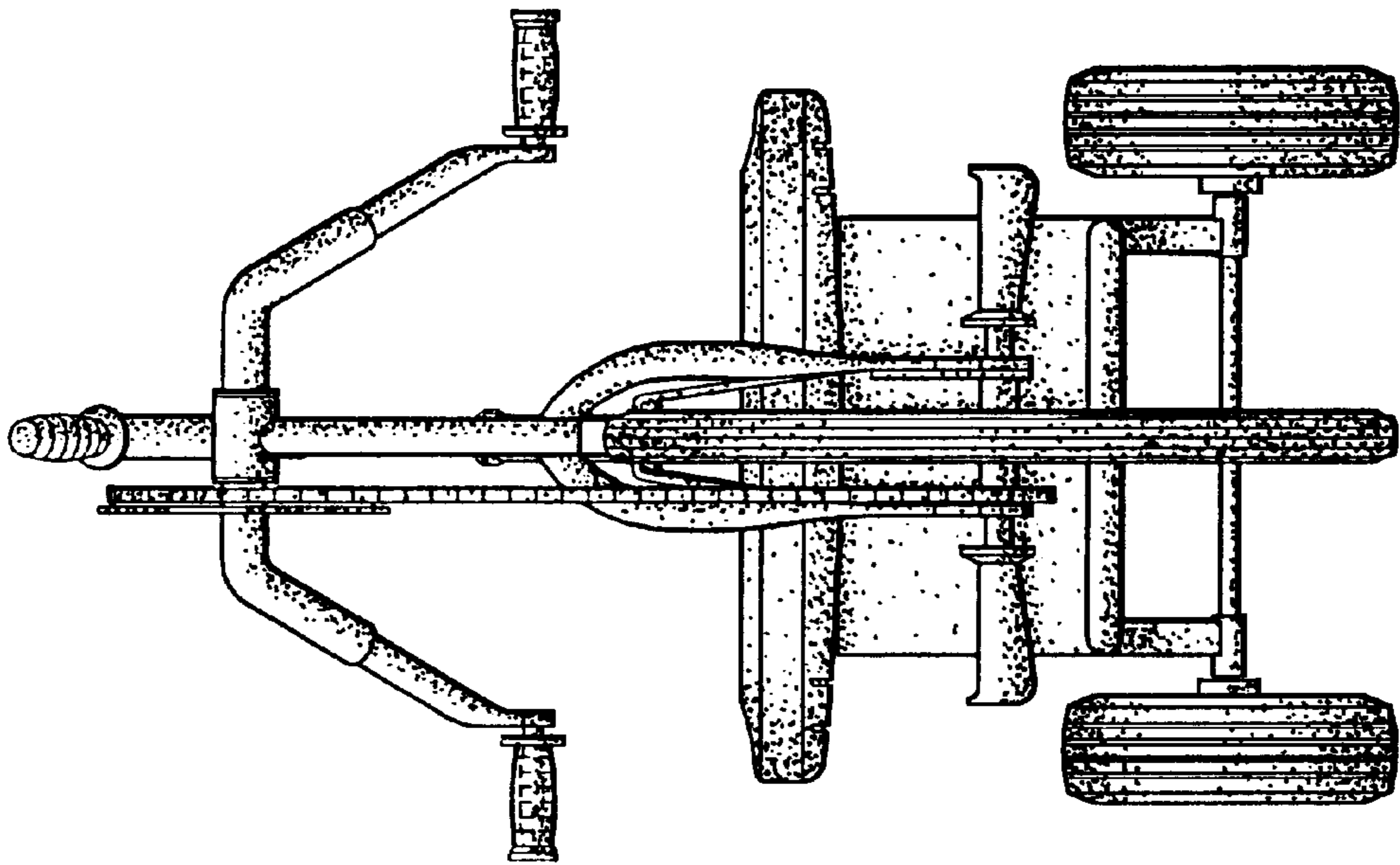


Fig. 2

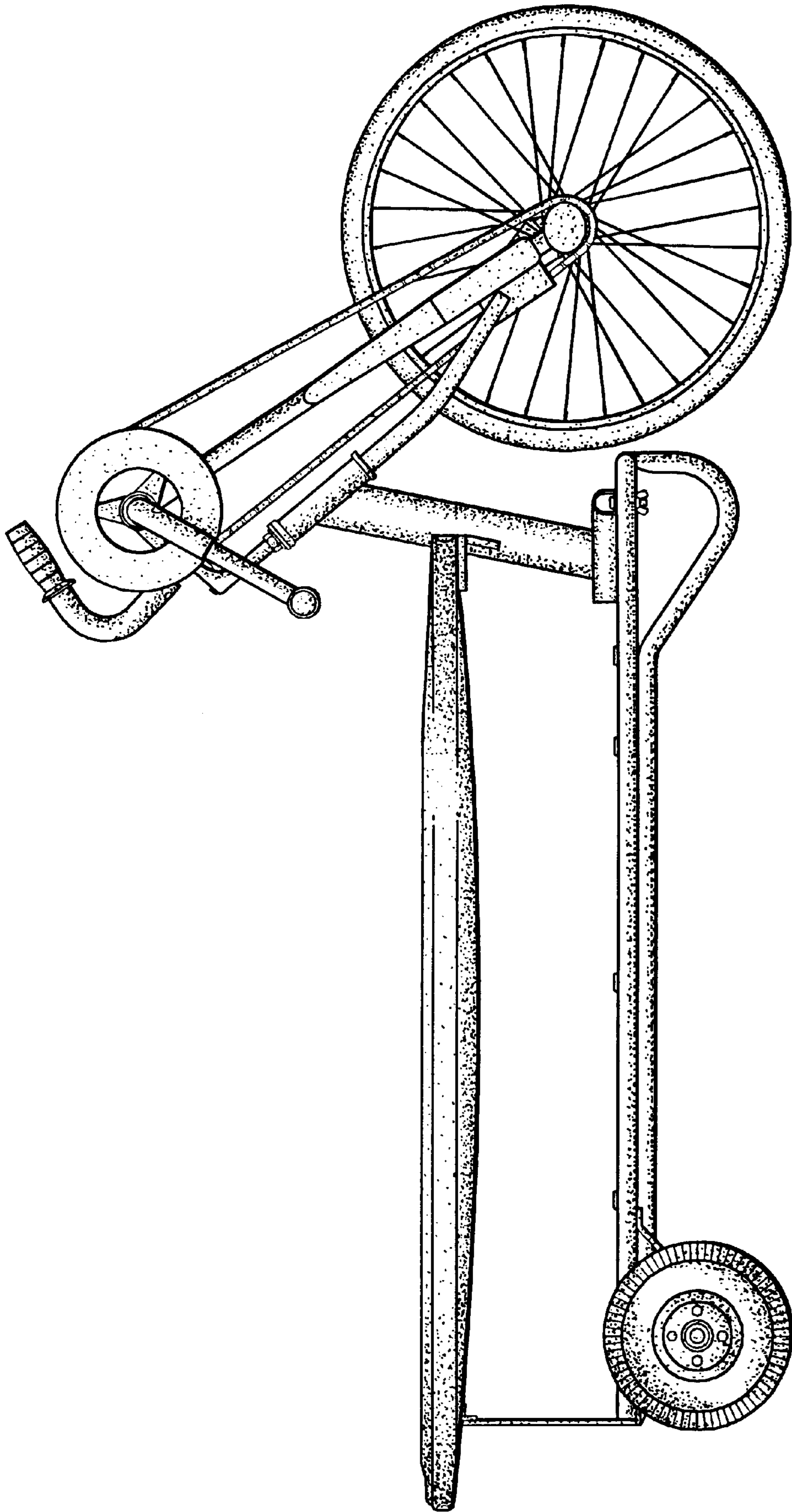


Fig. 3

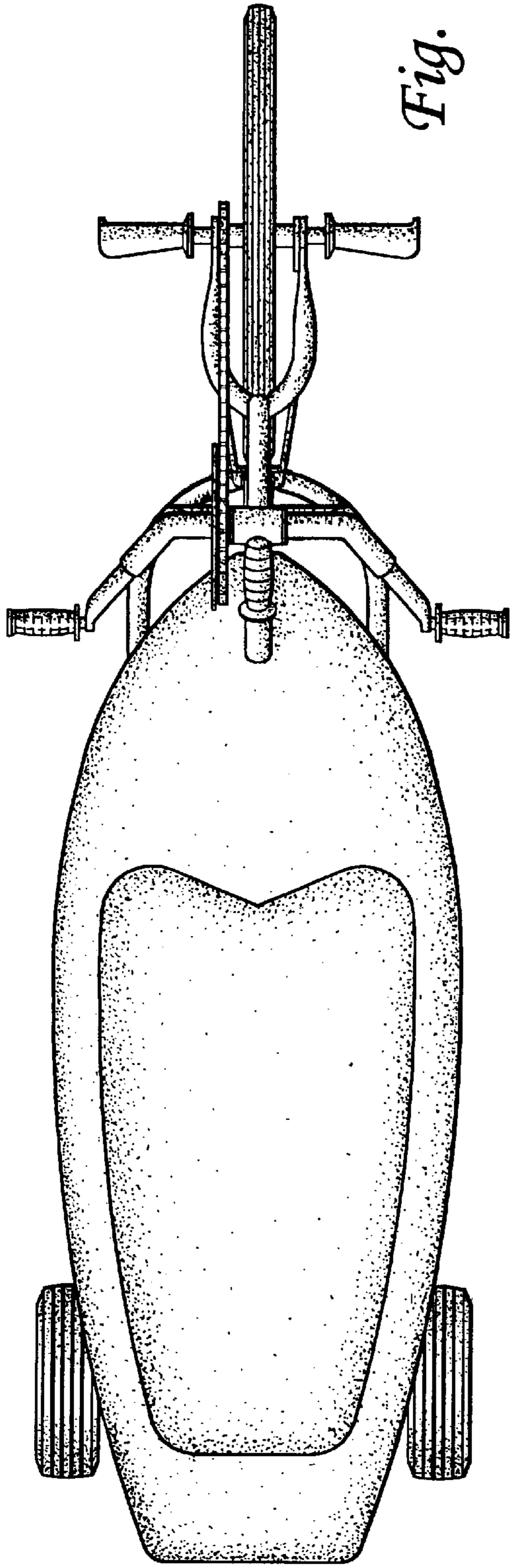


Fig. 4

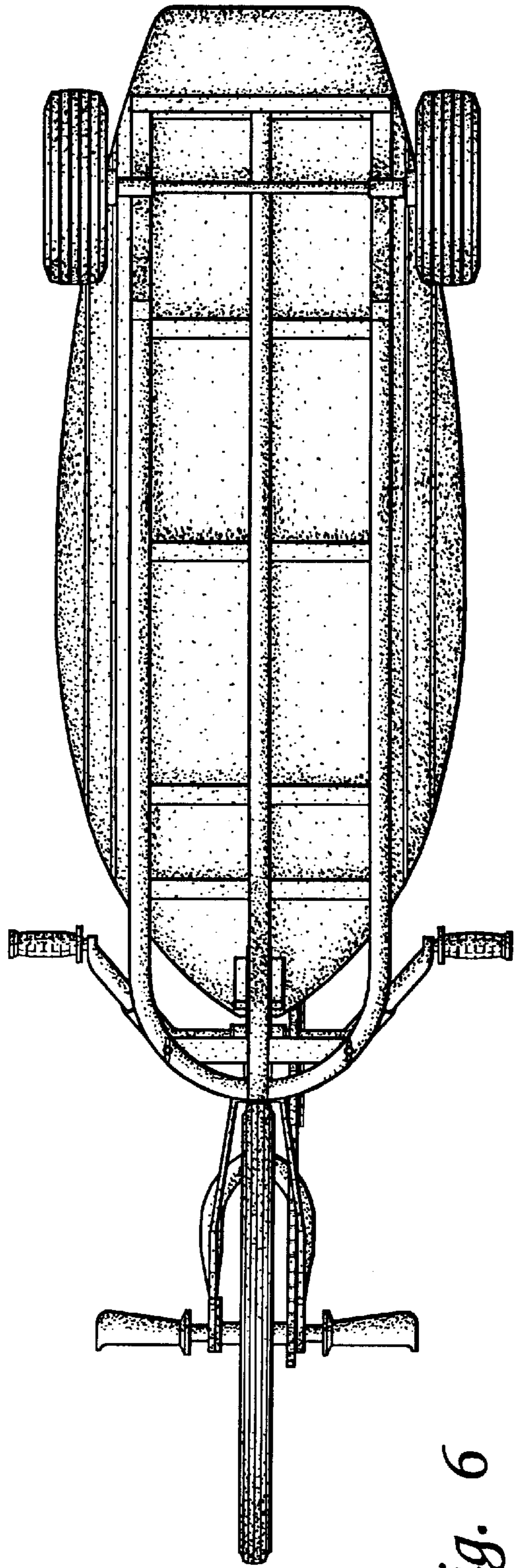


Fig. 6