



US00D430070S

United States Patent [19] Kciuk

[11] Patent Number: **Des. 430,070**

[45] Date of Patent: **** Aug. 29, 2000**

[54] **BICYCLE FRAME UNIT**

[75] Inventor: **Bernhard Kciuk**, Beilstein, Germany

[73] Assignee: **Dr. Ing. h.c.F. Porsche AG**, Weissach, Germany

[**] Term: **14 Years**

[21] Appl. No.: **29/105,458**

[22] Filed: **May 25, 1999**

[30] **Foreign Application Priority Data**

Nov. 30, 1998 [DE] Germany M-4-98-10985

[51] **LOC (7) Cl.** **12-11**

[52] **U.S. Cl.** **D12/111**

[58] **Field of Search** D12/111, 117;
280/288.1-288.3, 284

[56] **References Cited**

U.S. PATENT DOCUMENTS

D. 385,229	10/1997	Chan	D12/111
D. 389,787	1/1998	Zeigle et al.	D12/111
D. 398,267	9/1998	Yu et al.	D12/111
D. 401,187	11/1998	Ninic et al.	D12/111
D. 402,926	12/1998	Kciuk	D12/111
D. 419,923	2/2000	Kciuk	D12/111

Primary Examiner—Alan P. Douglas

Assistant Examiner—Linda Brooks

Attorney, Agent, or Firm—Evenson, McKeown, Edwards & Lenahan, P.L.L.C.

[57] **CLAIM**

The ornamental design for a bicycle frame unit, as shown and described.

DESCRIPTION

FIG. 1 is a left side view of a bicycle frame unit according to my novel design;

FIG. 2 is a right side view of the bicycle frame unit according to my novel design;

FIG. 3 is a top view of the bicycle frame unit according to my novel design;

FIG. 4 is a bottom view of the bicycle frame unit according to my novel design;

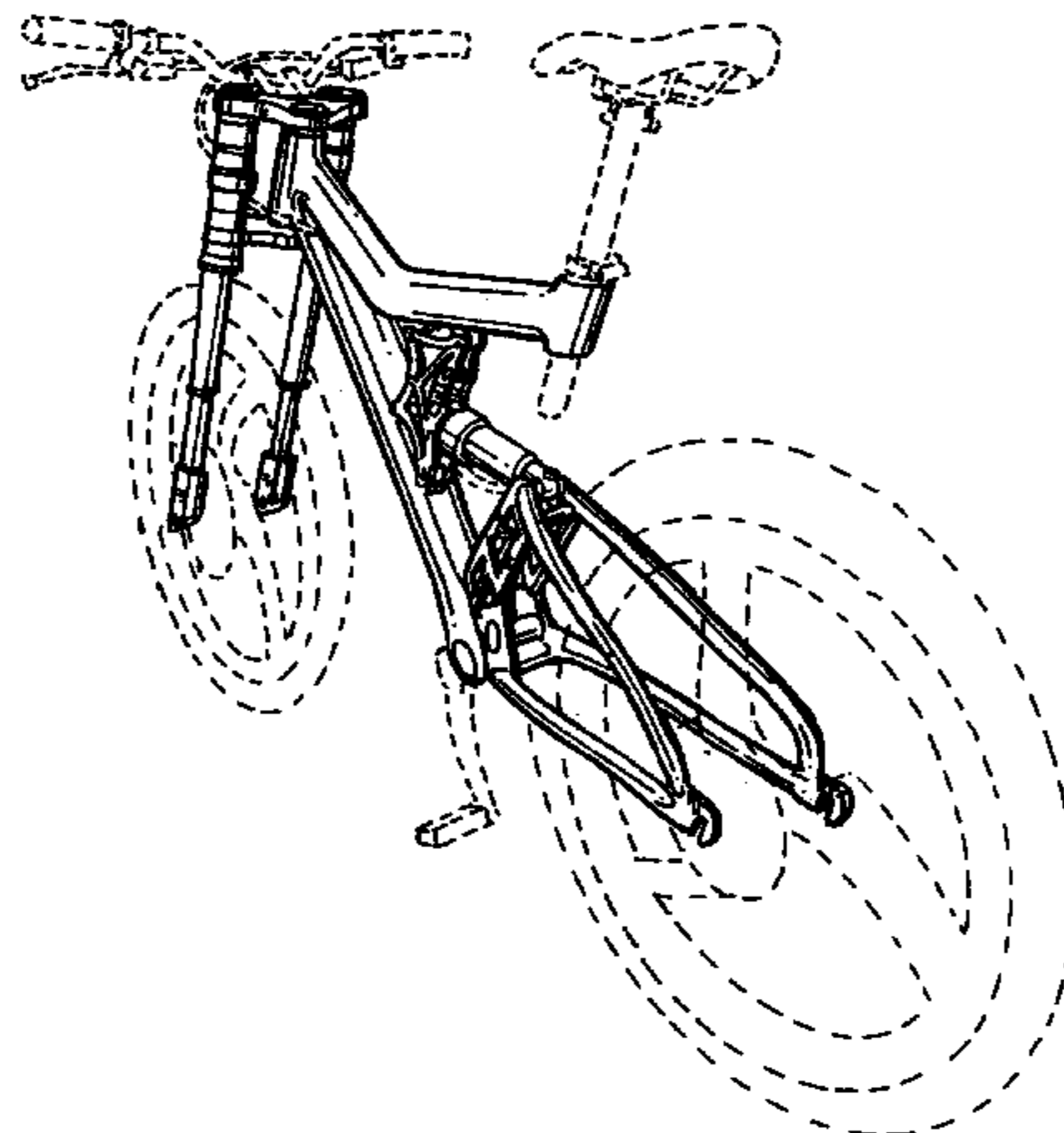
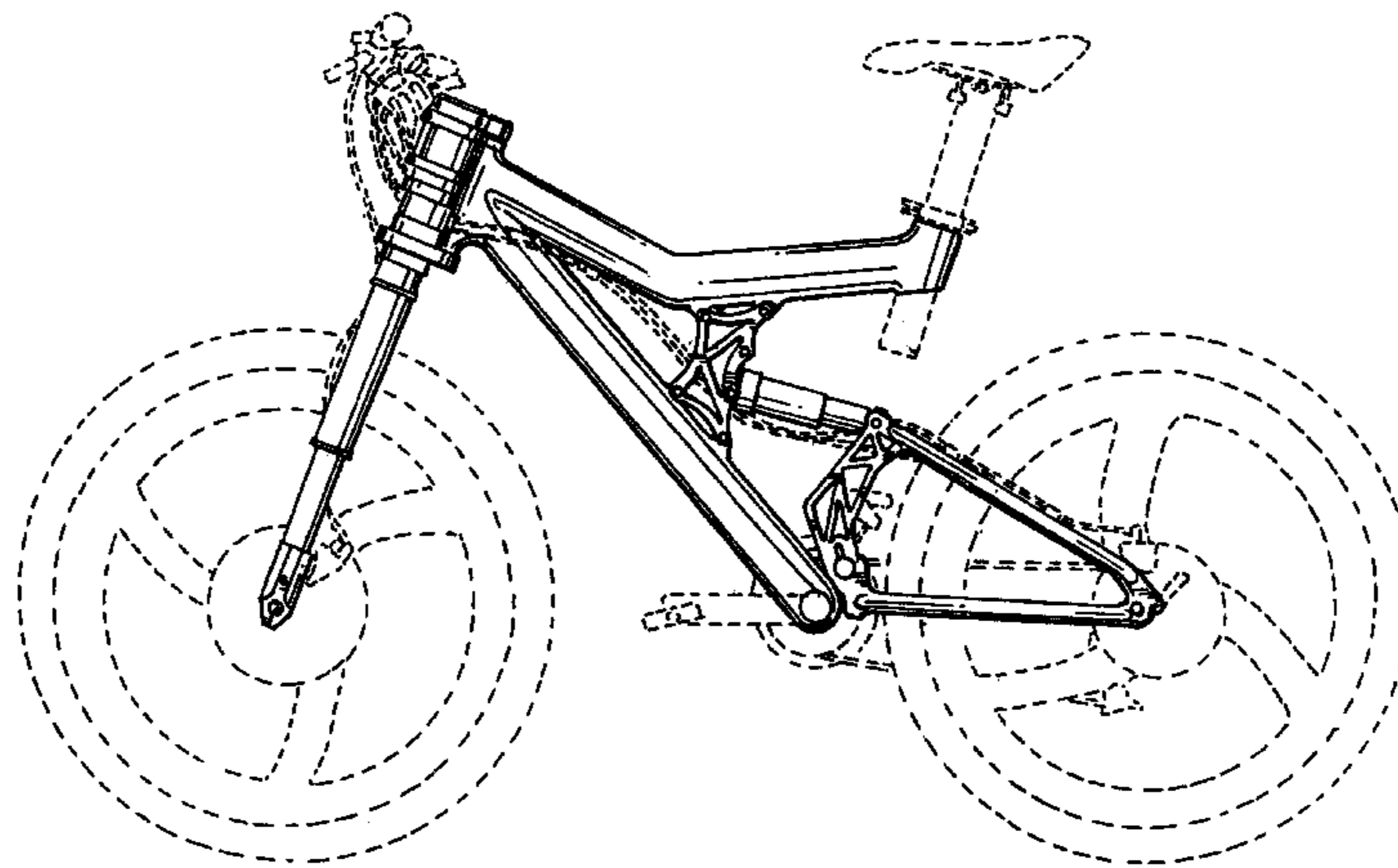
FIG. 5 is a front view of the bicycle frame unit according to my novel design;

FIG. 6 is a back view of the bicycle frame unit according to my novel design; and,

FIG. 7 is a rear perspective view of the bicycle frame unit according to my novel design.

The dash lines included depict environment and are not part of the claimed design.

1 Claim, 4 Drawing Sheets



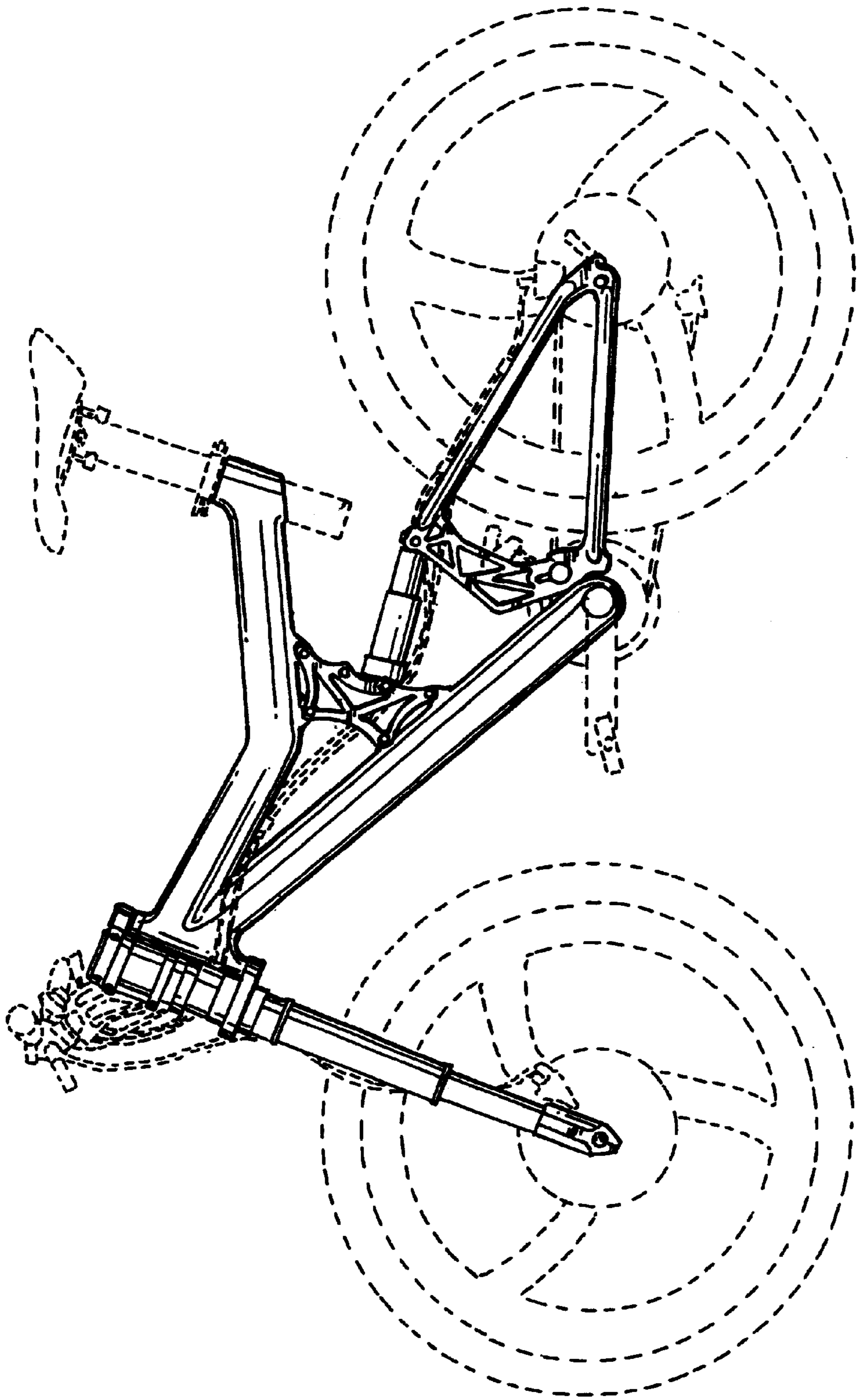


FIG.1

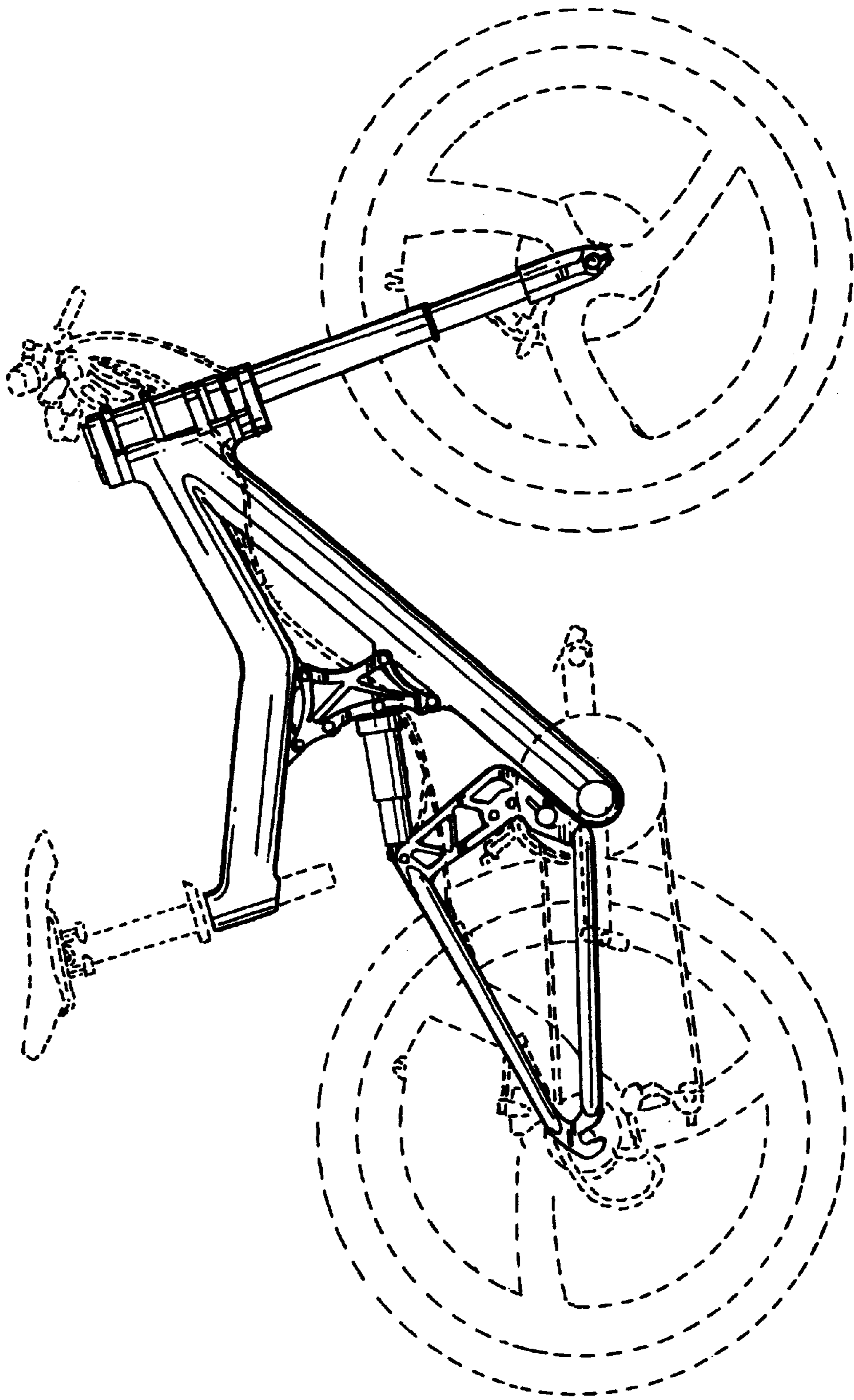


FIG. 2

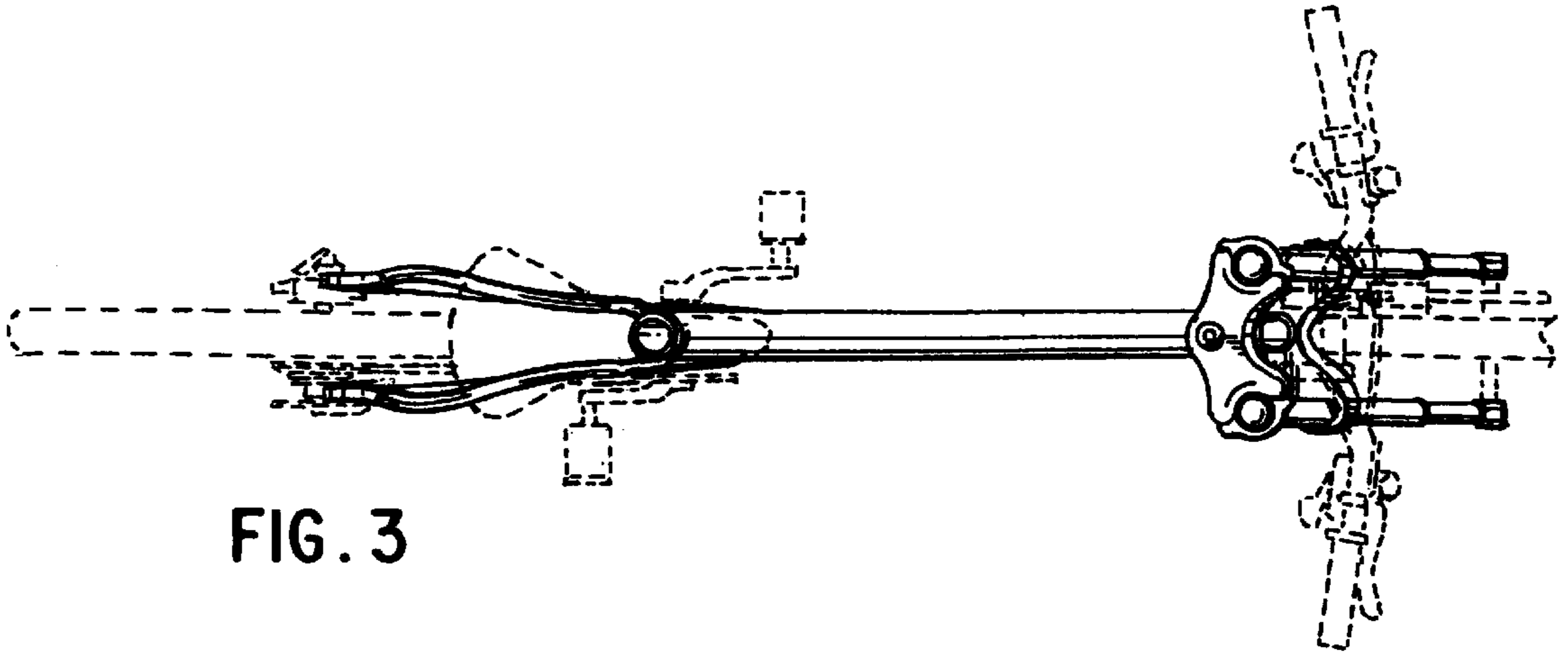


FIG. 3

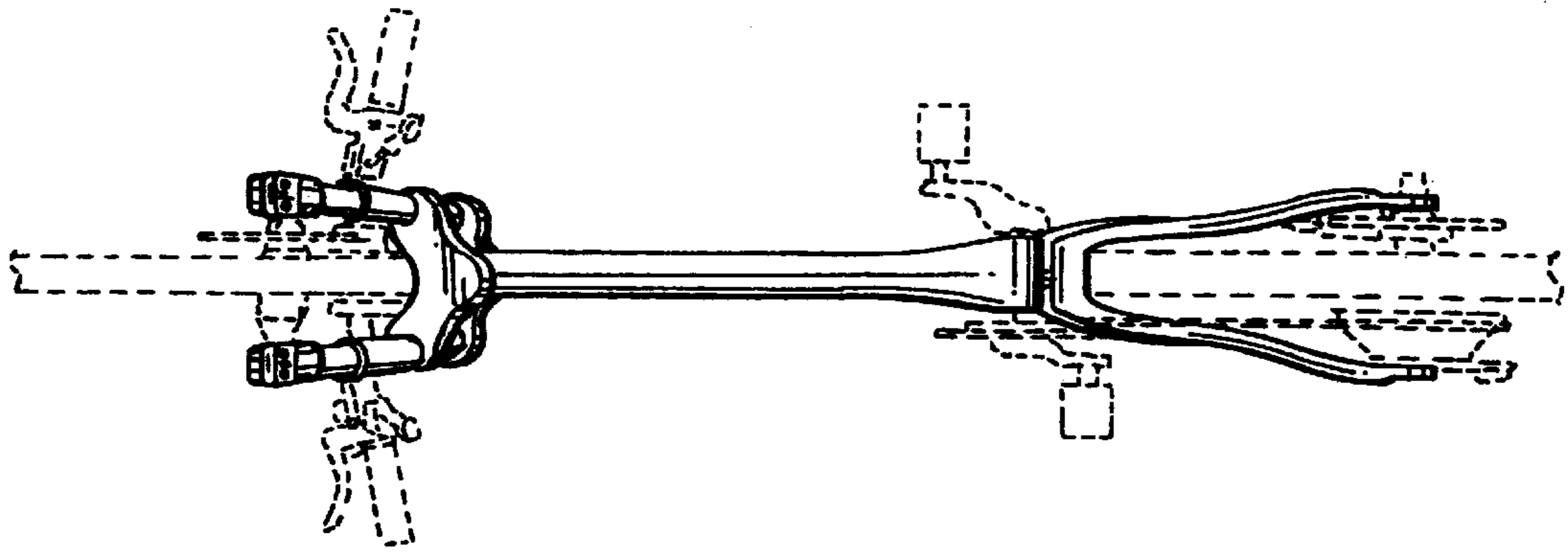


FIG. 4

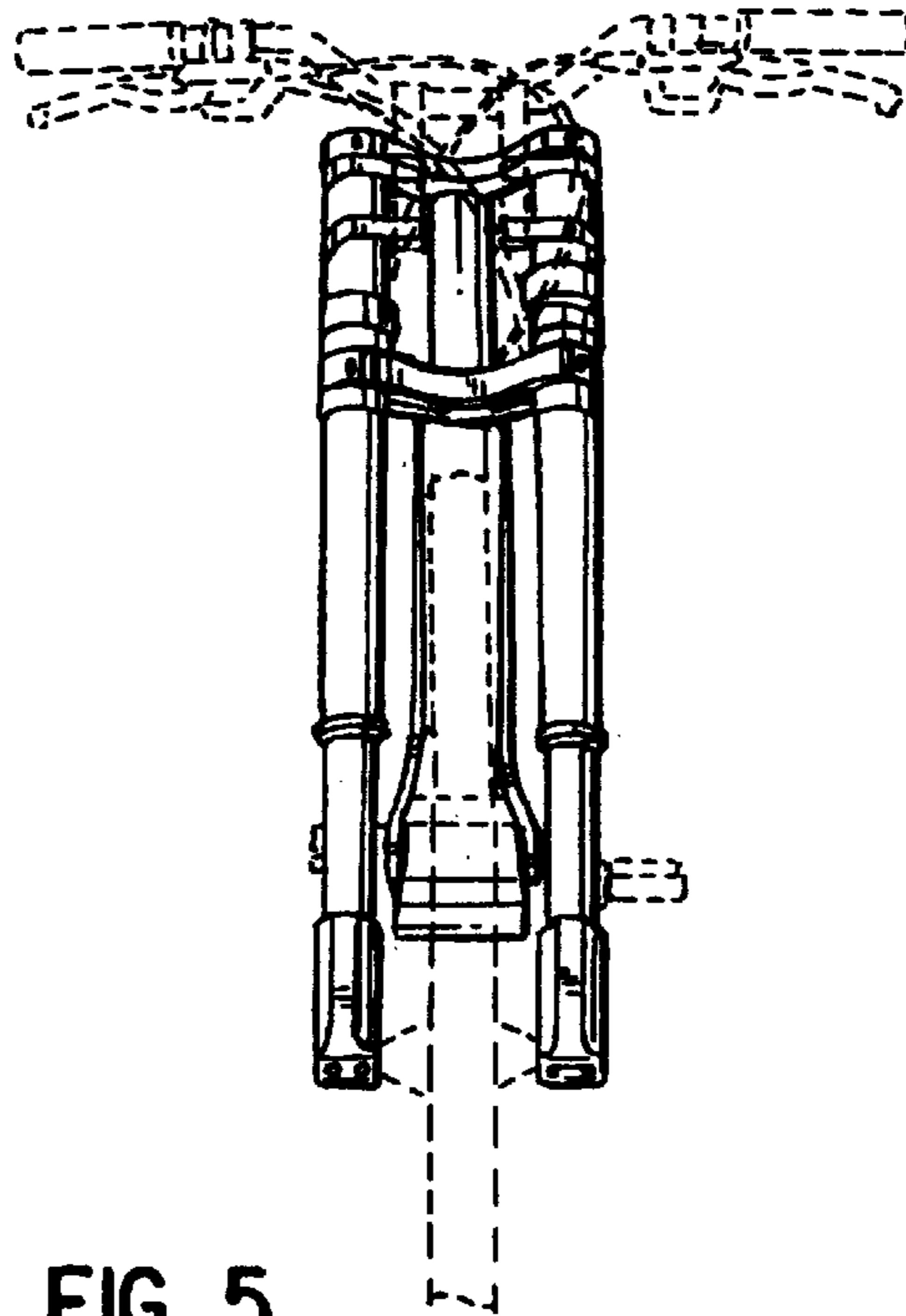


FIG. 5

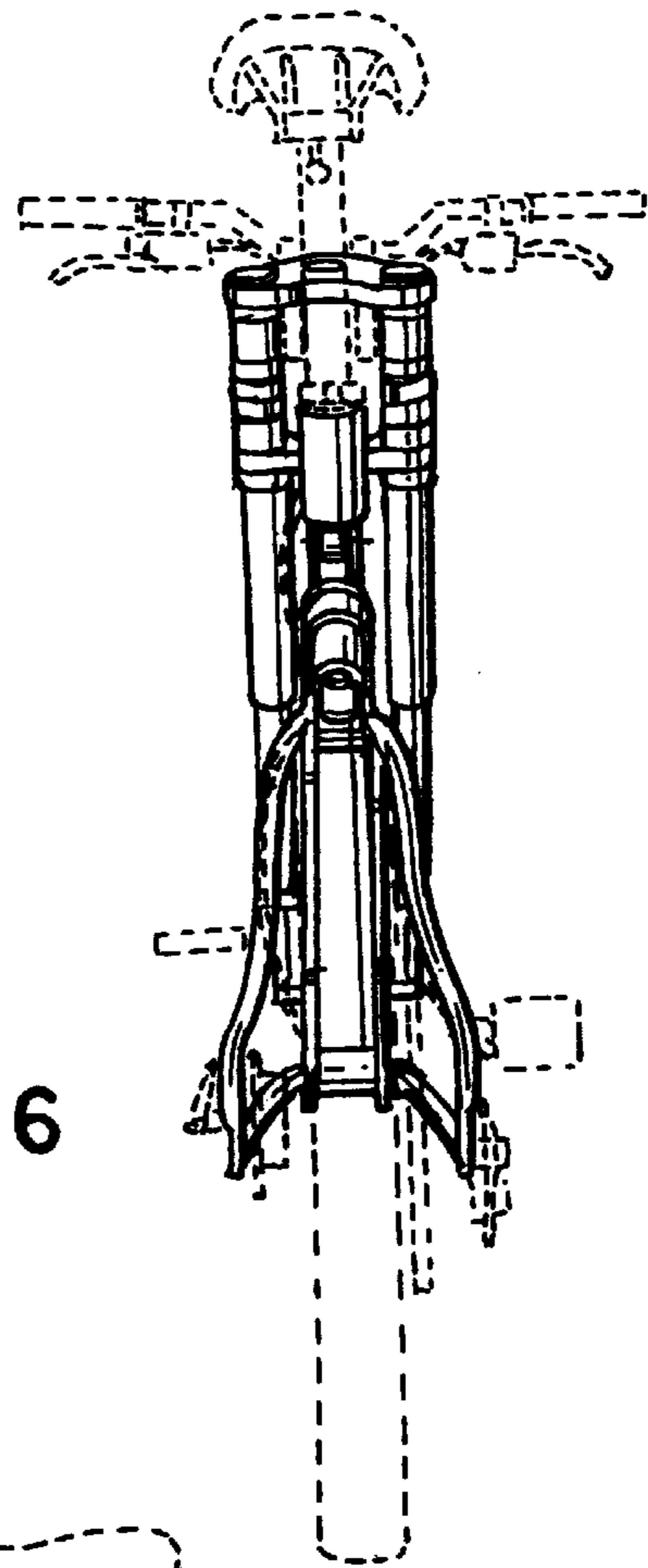


FIG. 6

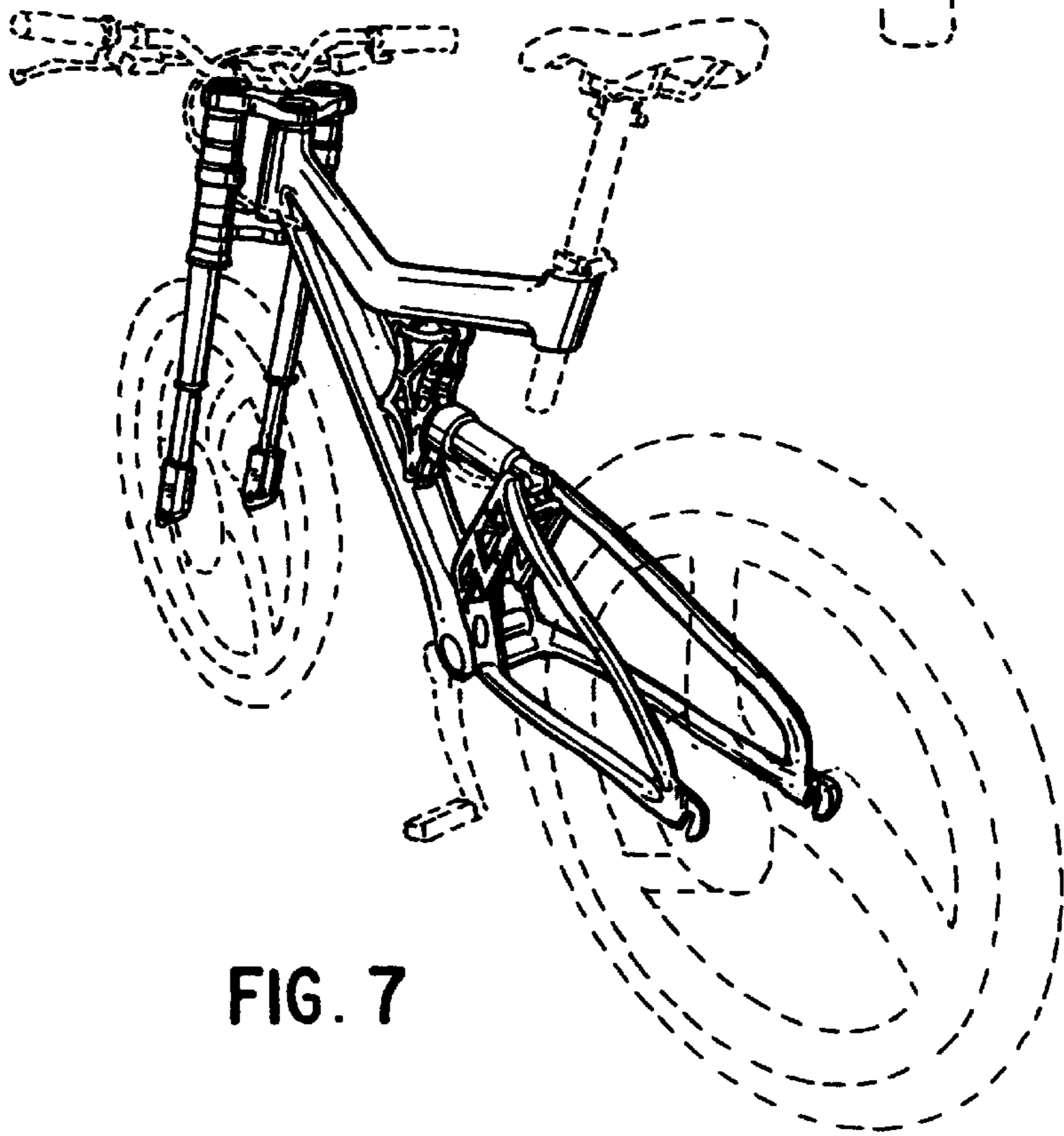


FIG. 7