



US00D430068S

**United States Patent** [19]  
**Castiglione et al.**

[11] **Patent Number: Des. 430,068**

[45] **Date of Patent: \*\* Aug. 29, 2000**

[54] **VEHICLE BODY**

[75] Inventors: **Michael R. Castiglione**, Oceanside;  
**Kevin R. Verduyn**, Carlsbad; **Thomas G. Tremont**, San Diego, all of Calif.;  
**K. Neil Walling**, Leonard, Mich.; **John Sodano**, Carlsbad, Calif.

[73] Assignee: **DaimlerChrysler Corporation**, Auburn Hills, Mich.

[\*\*] Term: **14 Years**

[21] Appl. No.: **29/112,767**

[22] Filed: **Oct. 22, 1999**

[51] **LOC (7) Cl.** ..... **12-08**

[52] **U.S. Cl.** ..... **D12/98**

[58] **Field of Search** ..... **D12/98; 296/183**

[56] **References Cited**

**U.S. PATENT DOCUMENTS**

D. 355,149	2/1995	Payne et al.	.....	D12/96
D. 373,979	9/1996	Starr et al.	.....	D12/98
D. 379,439	5/1997	Bradley	.....	D12/98
D. 396,666	8/1998	Allen	.....	D12/98
D. 405,392	2/1999	Allen	.....	D12/98
D. 419,491	1/2000	Allen	.....	D12/98

**OTHER PUBLICATIONS**

Standard Catalog of 4x4's 1945-1993 by Krause Publications, Inc., Copyright 1995, pp. 109-144.

*Primary Examiner*—Melody N. Brown  
*Attorney, Agent, or Firm*—Mark P. Calcaterra

[57] **CLAIM**

The ornamental design for a vehicle body, as shown and described.

**DESCRIPTION**

FIG. 1 is a front perspective view illustrating a vehicle body constructed in accordance with the teaching of the present invention.

FIG. 2 is a rear perspective view thereof.

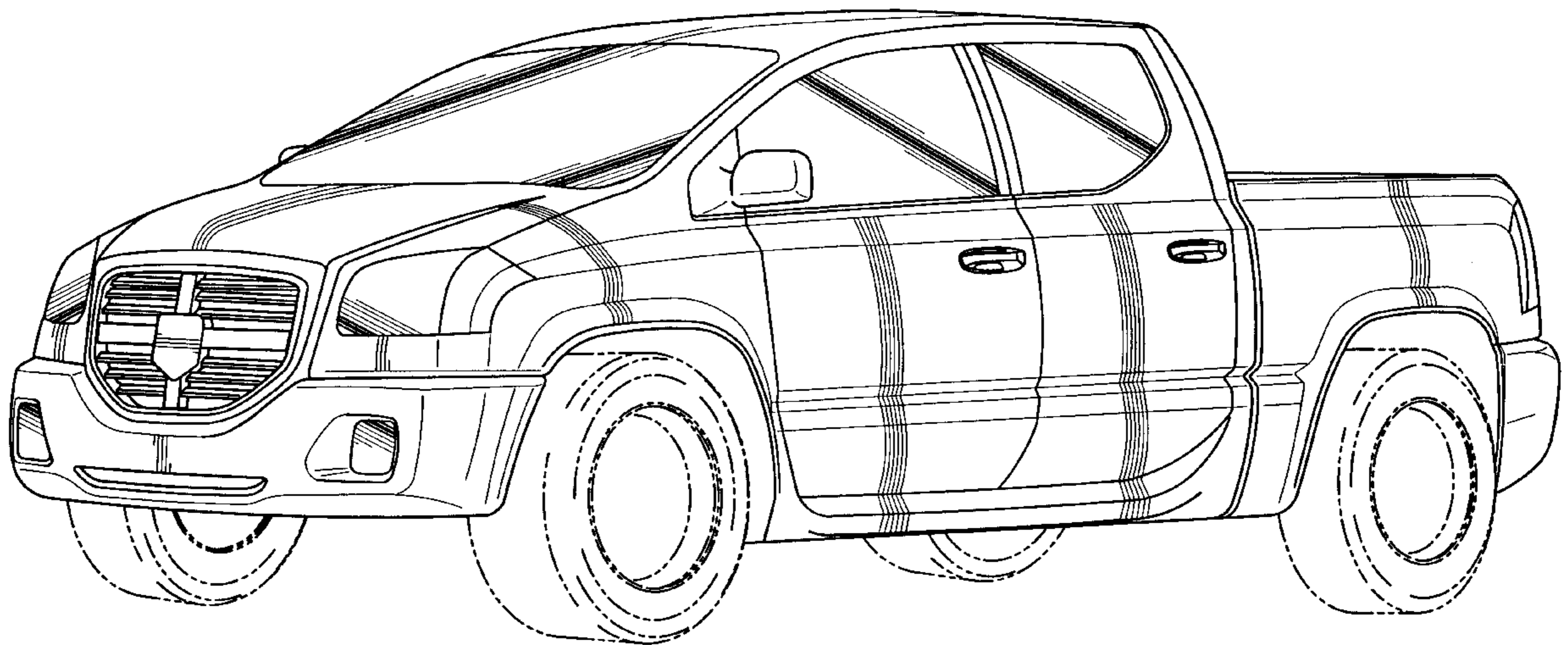
FIG. 3 is a right side view thereof, it will be understood that the side opposite to that shown is a substantial mirror image thereof.

FIG. 4 is a front view thereof; and,

FIG. 5 is a rear view thereof.

It will be understood that the broken line showing of the wheels, tires and tailpipes throughout the drawings is for illustrative purposes only and forms no part of the subject invention.

**1 Claim, 4 Drawing Sheets**



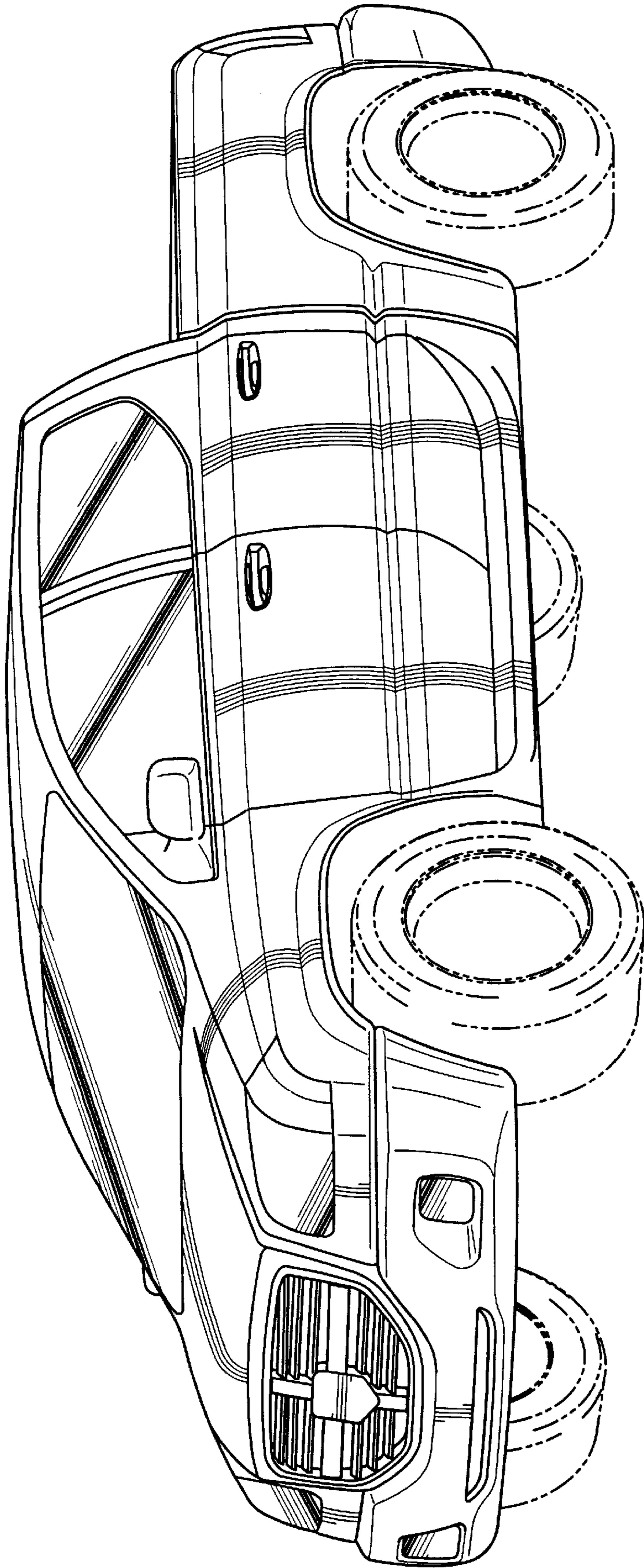


Figure - 1

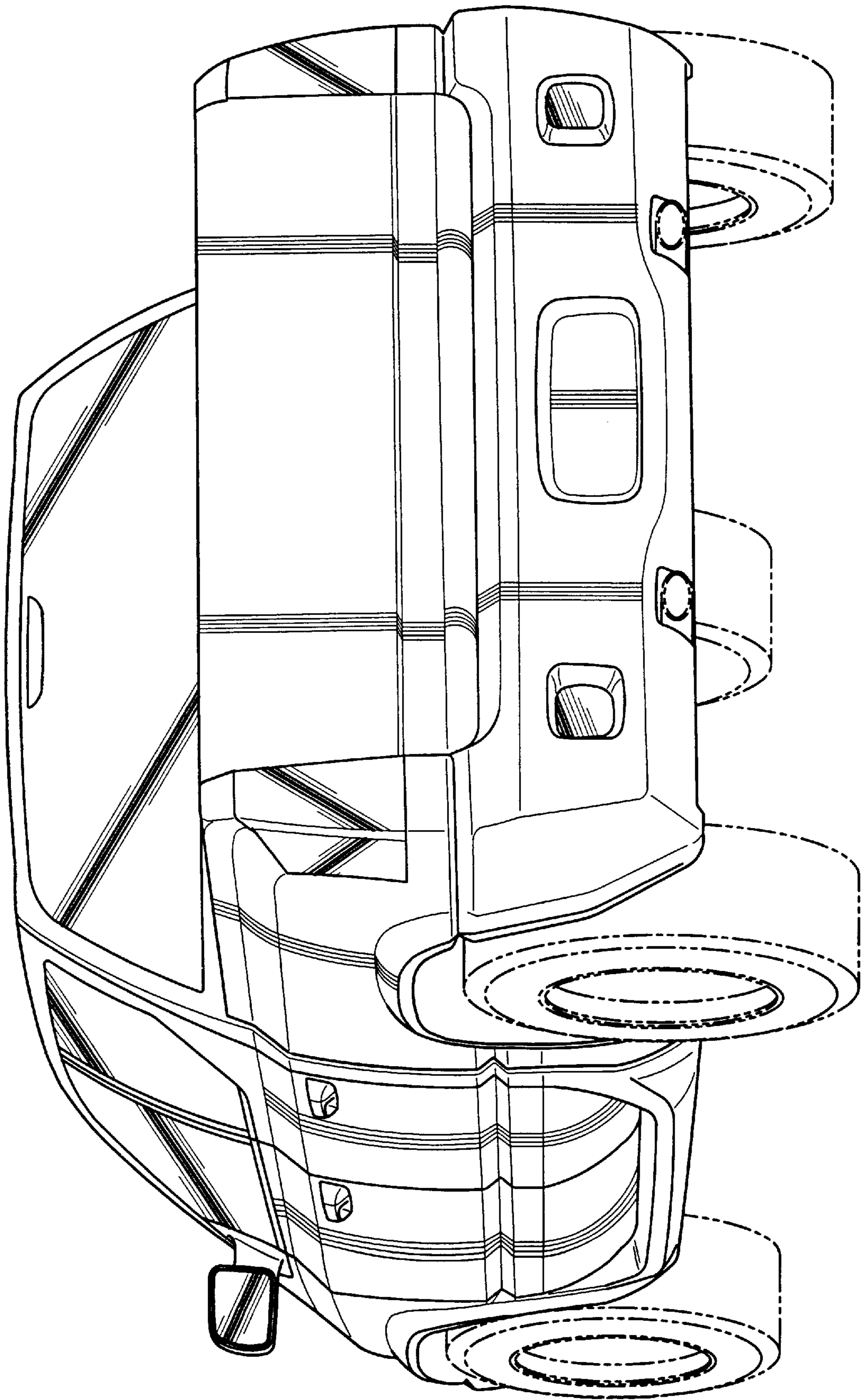


Figure - 2

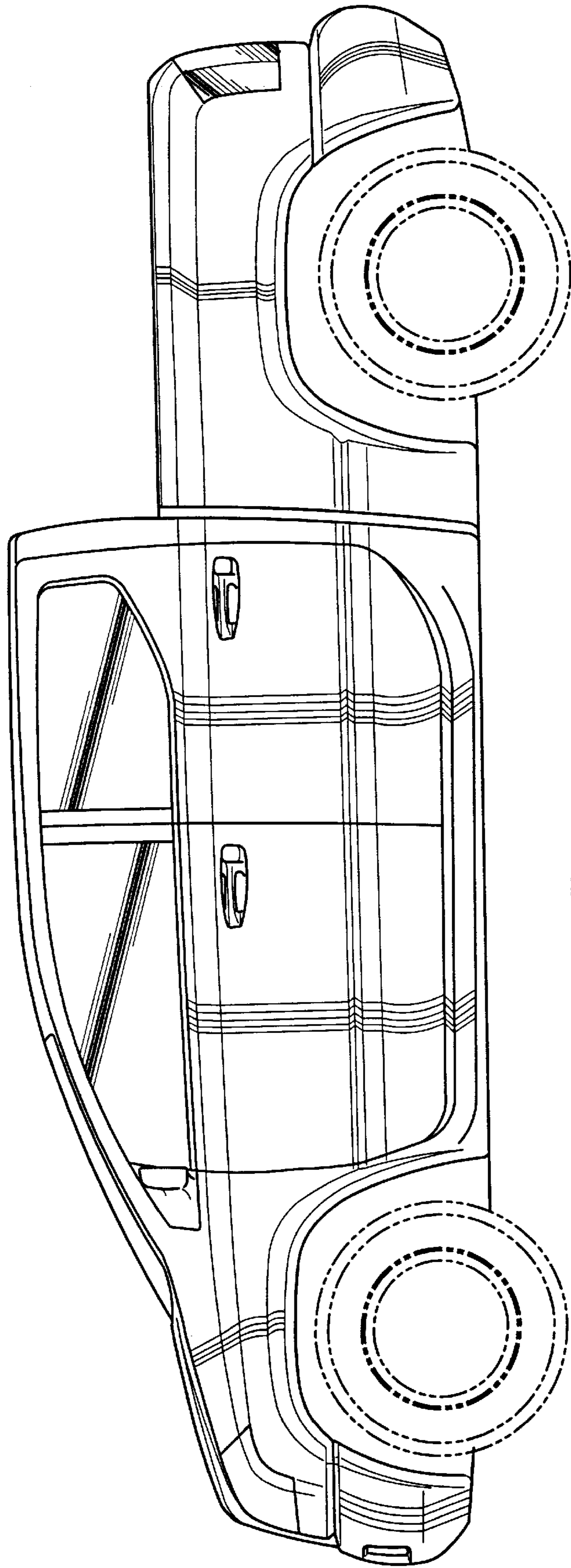


Figure - 3

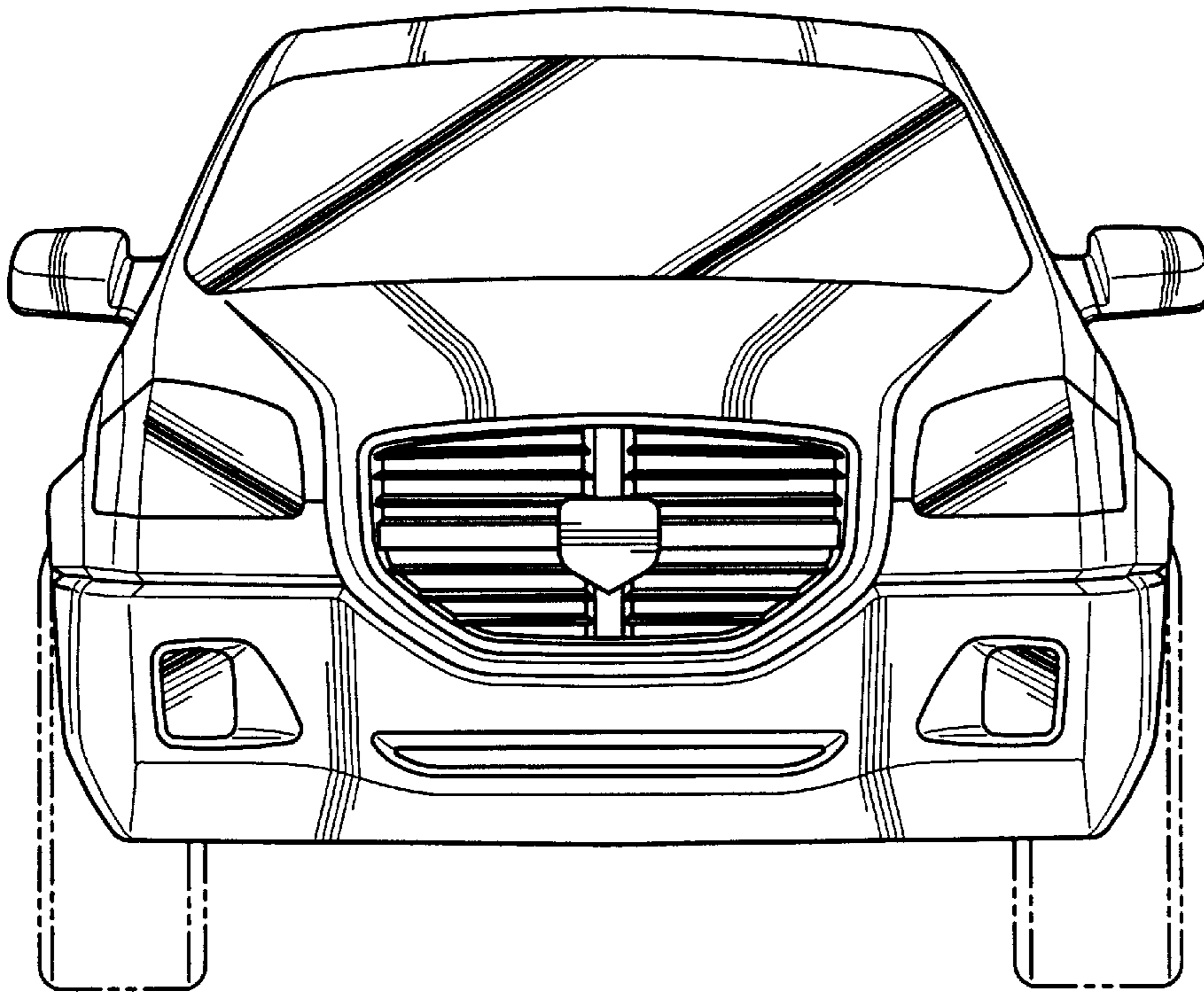


Figure - 4

Figure - 5

