



US00D430067S

United States Patent [19] Hosomi

[11] **Patent Number: Des. 430,067**

[45] **Date of Patent: ** Aug. 29, 2000**

[54] **VEHICLE**

[75] Inventor: **Eiki Hosomi**, Sanda, Japan

[73] Assignee: **Denen Corporation**, Hyogo, Japan

[**] Term: **14 Years**

[21] Appl. No.: **29/110,973**

[22] Filed: **Sep. 20, 1999**

[30] **Foreign Application Priority Data**

Apr. 28, 1999 [JP] Japan 11-11450

[51] **LOC (7) Cl.** **12-08**

[52] **U.S. Cl.** **D12/93; D12/83**

[58] **Field of Search** D12/102, 83, 84,
D12/86, 82, 93; 280/1.12, 1.21; 296/24.1

[56] **References Cited**

U.S. PATENT DOCUMENTS

D. 97,443 11/1935 Small et al. D12/105

D. 184,819 4/1959 Kritter D12/105
D. 259,412 6/1981 Jenkins D12/84 X
D. 273,373 4/1984 Levine et al. D12/183
D. 320,771 10/1991 Crawford D12/102

Primary Examiner—Melody N. Brown
Attorney, Agent, or Firm—Ronald E. Greigg; Edwin E. Greigg

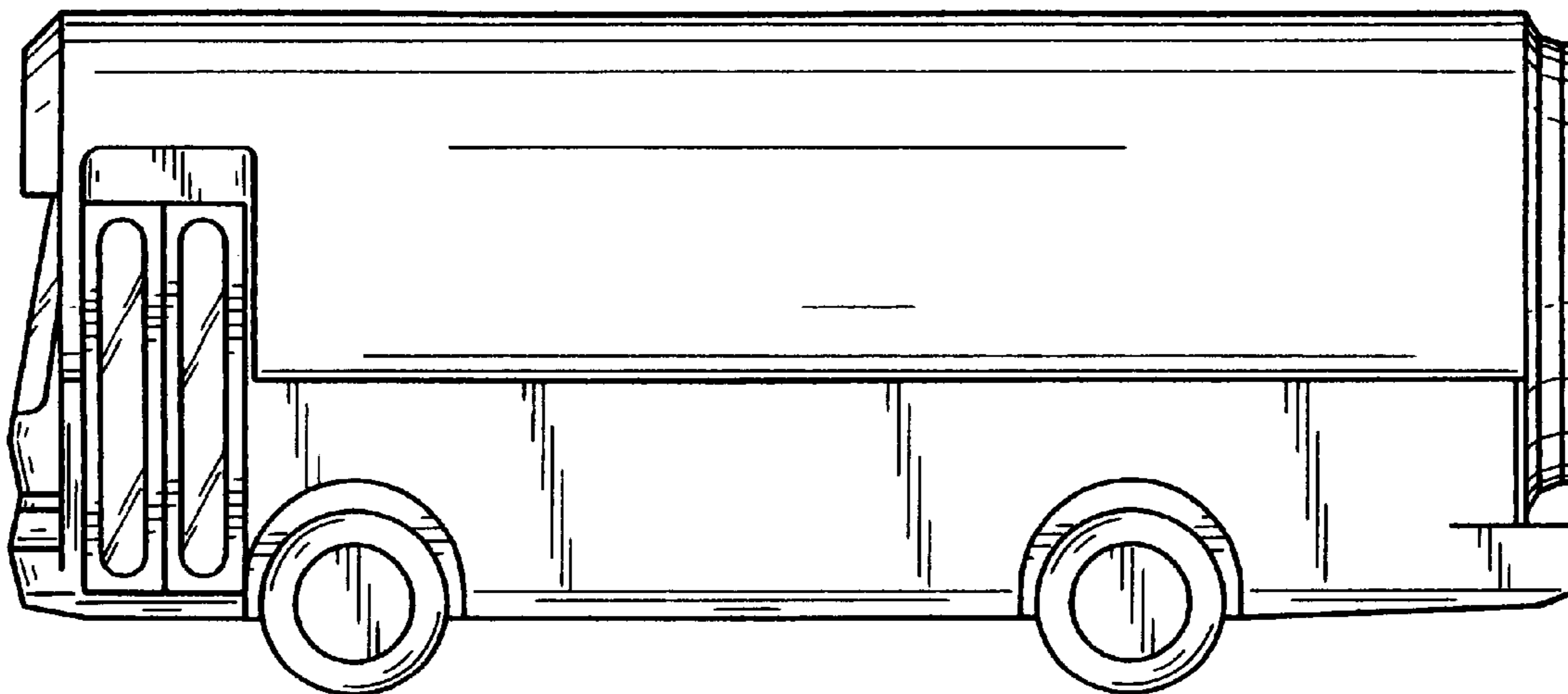
[57] **CLAIM**

The ornamental design for a vehicle, as shown and described.

DESCRIPTION

FIG. 1 is a front elevational view of a vehicle showing my new design;
FIG. 2 is a rear elevational view;
FIG. 3 is a left side elevational view;
FIG. 4 is a right side elevational view;
FIG. 5 is a top plan view; and,
FIG. 6 is a bottom plan view.

1 Claim, 2 Drawing Sheets



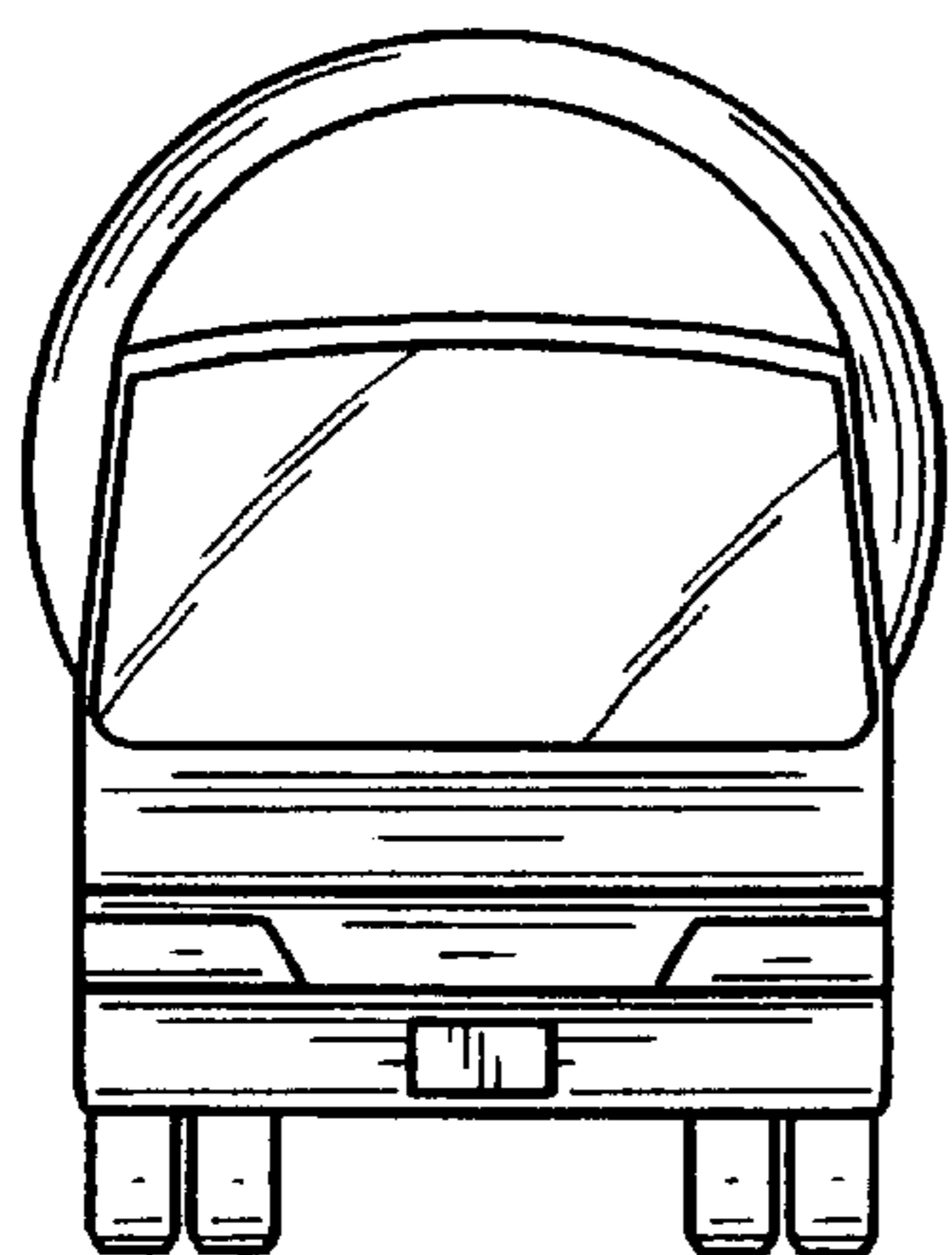


FIG. 1

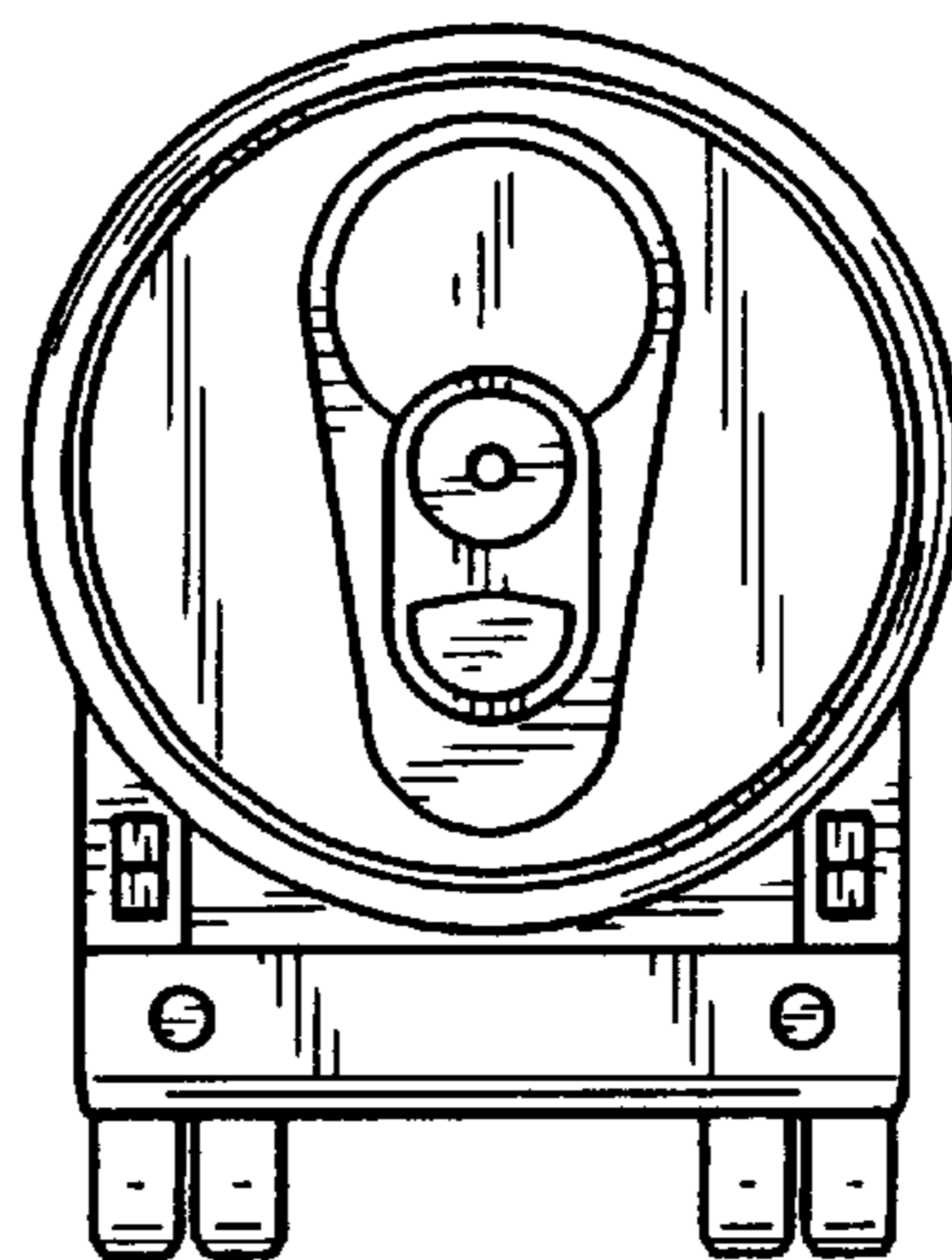


FIG. 2

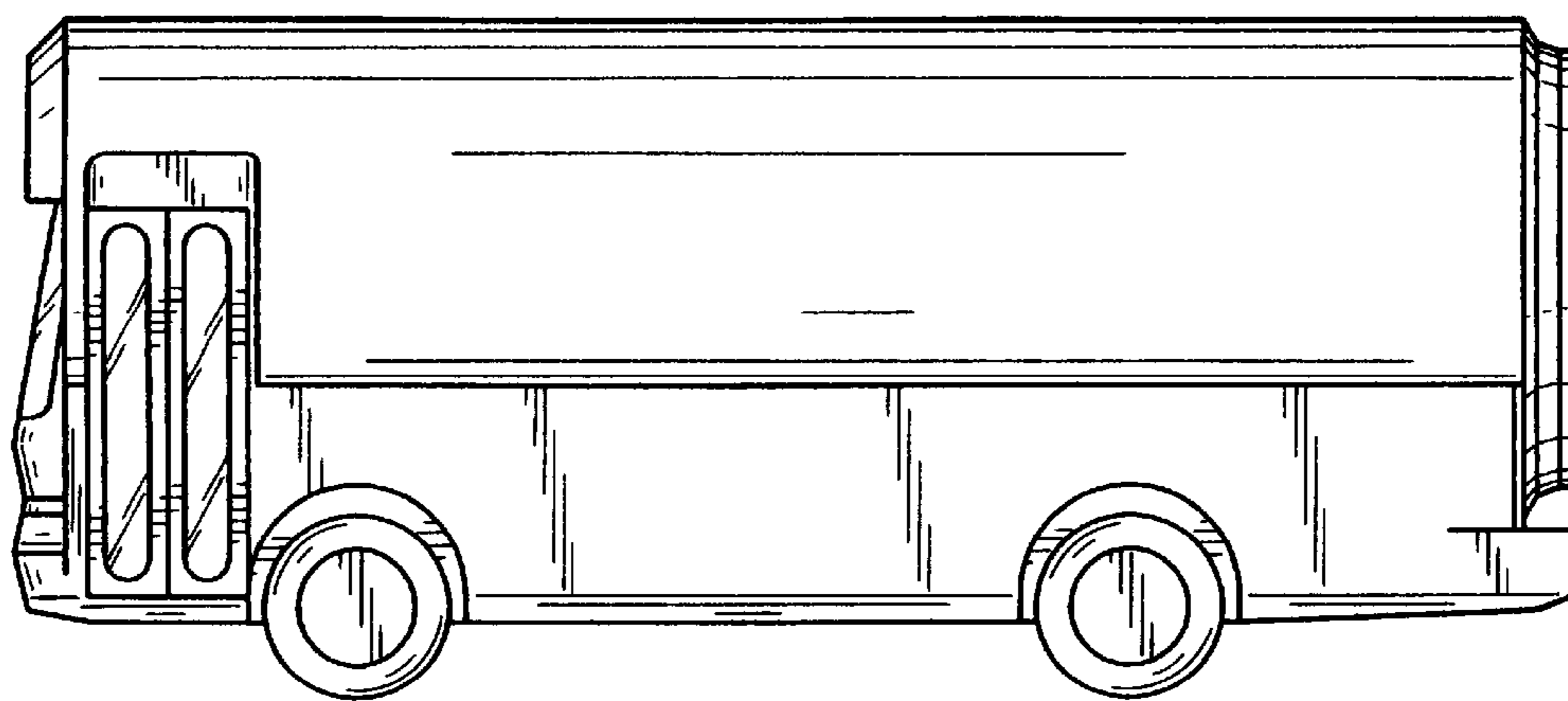


FIG. 3

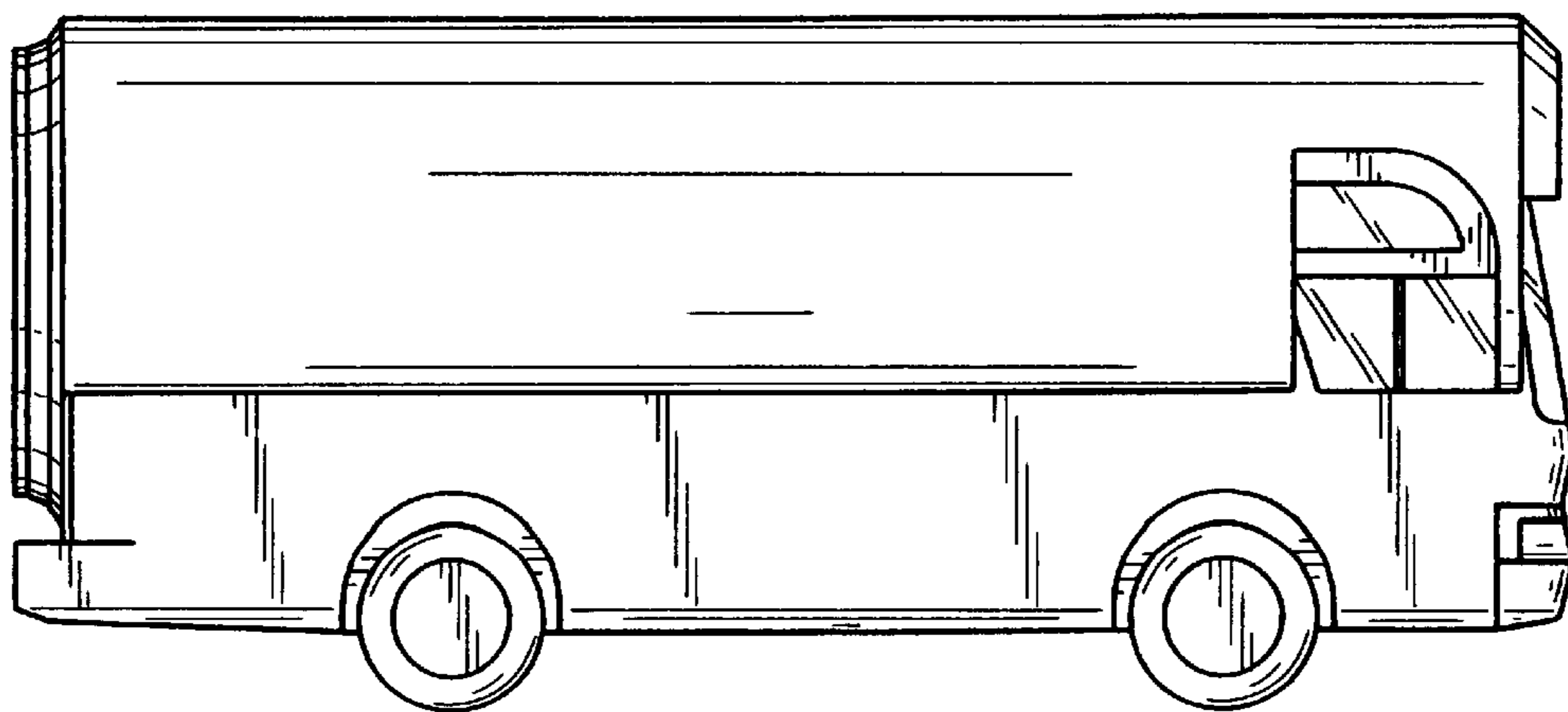


FIG. 4

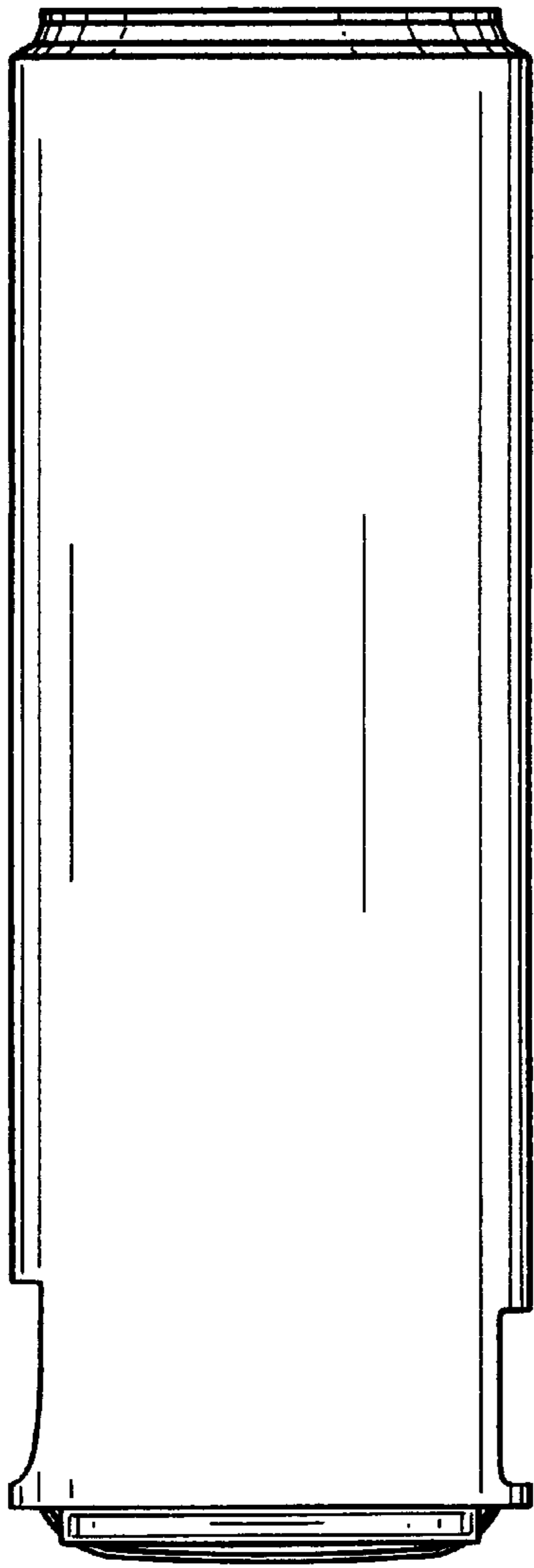


FIG. 5

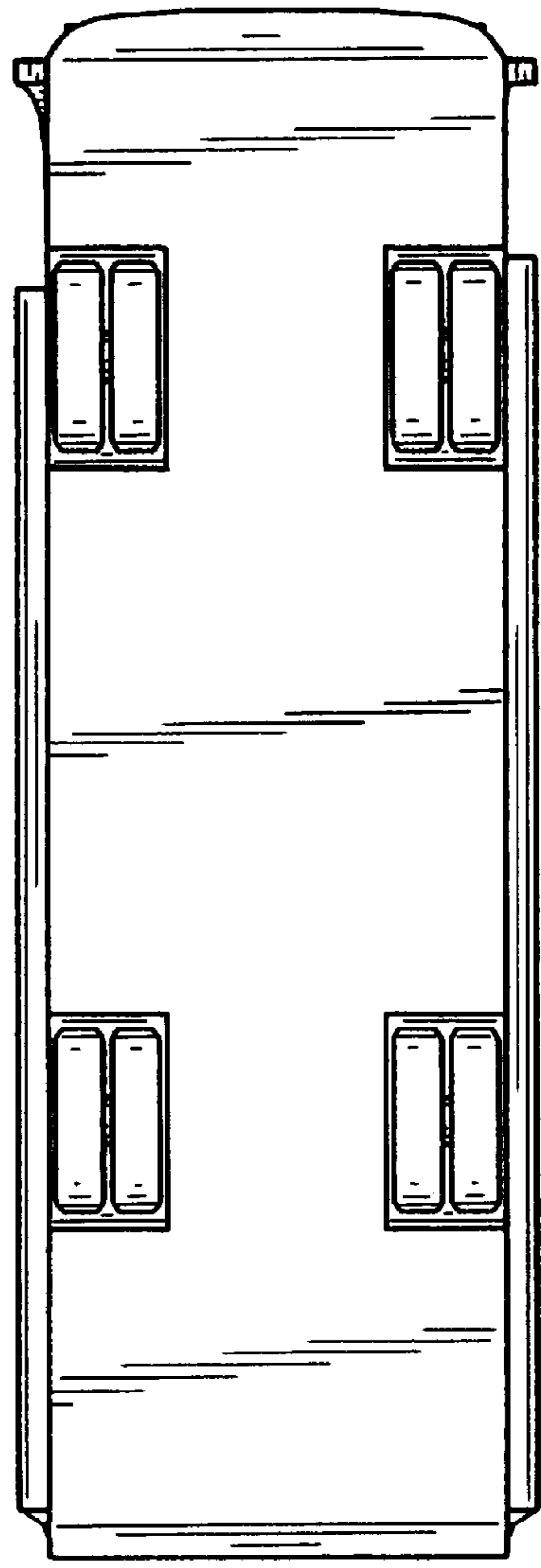


FIG. 6