



US00D430066S

United States Patent [19]

Koman et al.

[11] Patent Number: **Des. 430,066**

[45] Date of Patent: **** Aug. 29, 2000**

[54] **AUTOMOBILE**

[75] Inventors: **Shuji Koman; Nobuyuki Takahashi,**
both of Wako, Japan

[73] Assignee: **Honda Giken Kogyo Kabushiki**
Kaisha, Tokyo, Japan

[**] Term: **14 Years**

[21] Appl. No.: **29/116,146**

[22] Filed: **Dec. 29, 1999**

[30] **Foreign Application Priority Data**

Aug. 9, 1999 [JP] Japan 11-21396

[51] **LOC (7) Cl.** **12-08**

[52] **U.S. Cl.** **D12/92**

[58] **Field of Search** D12/90-92; 296/185

[56] **References Cited**

U.S. PATENT DOCUMENTS

D. 379,946 6/1997 Tanabe et al. D12/92

D. 396,665 8/1998 Cho D12/92
D. 396,829 8/1998 Takashima et al. D12/92
D. 397,962 9/1998 Herner et al. D12/92
D. 402,232 12/1998 Hayauchi et al. D12/92
D. 402,595 12/1998 Tamura et al. D12/92

Primary Examiner—Melody N. Brown
Attorney, Agent, or Firm—Arent Fox Kintner Plotkin &
Kahn, PLLC

[57] **CLAIM**

The ornamental design for an automobile, as shown and described.

DESCRIPTION

FIG. 1 is a front view of an automobile, showing our new design;
FIG. 2 is a rear view thereof;
FIG. 3 is a left side view thereof;
FIG. 4 is a right side of thereof;
FIG. 5 is a top plan view thereof
FIG. 6 is a front perspective view thereof; and,
FIG. 7 is a rear perspective view thereof.

1 Claim, 6 Drawing Sheets

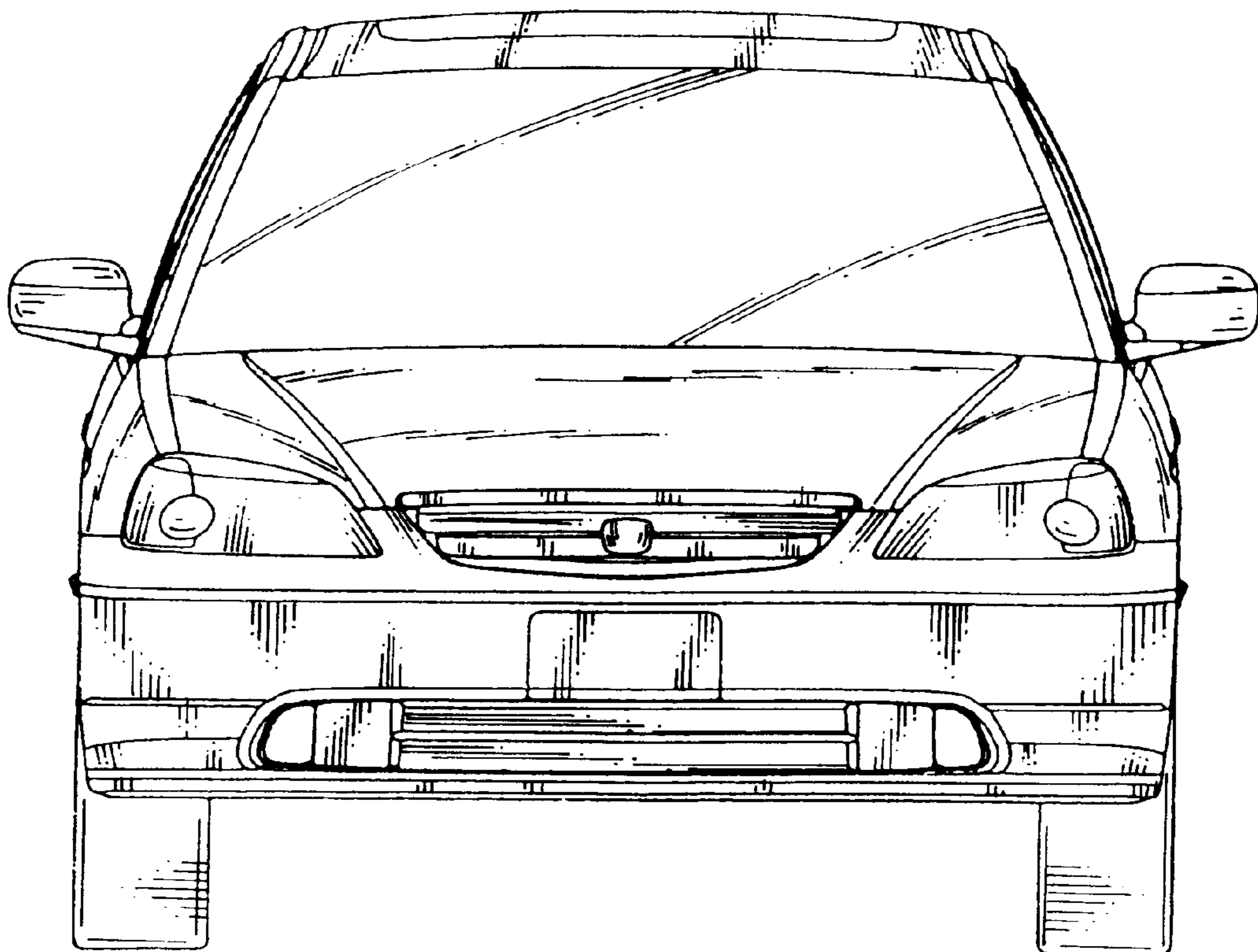


FIG. 2

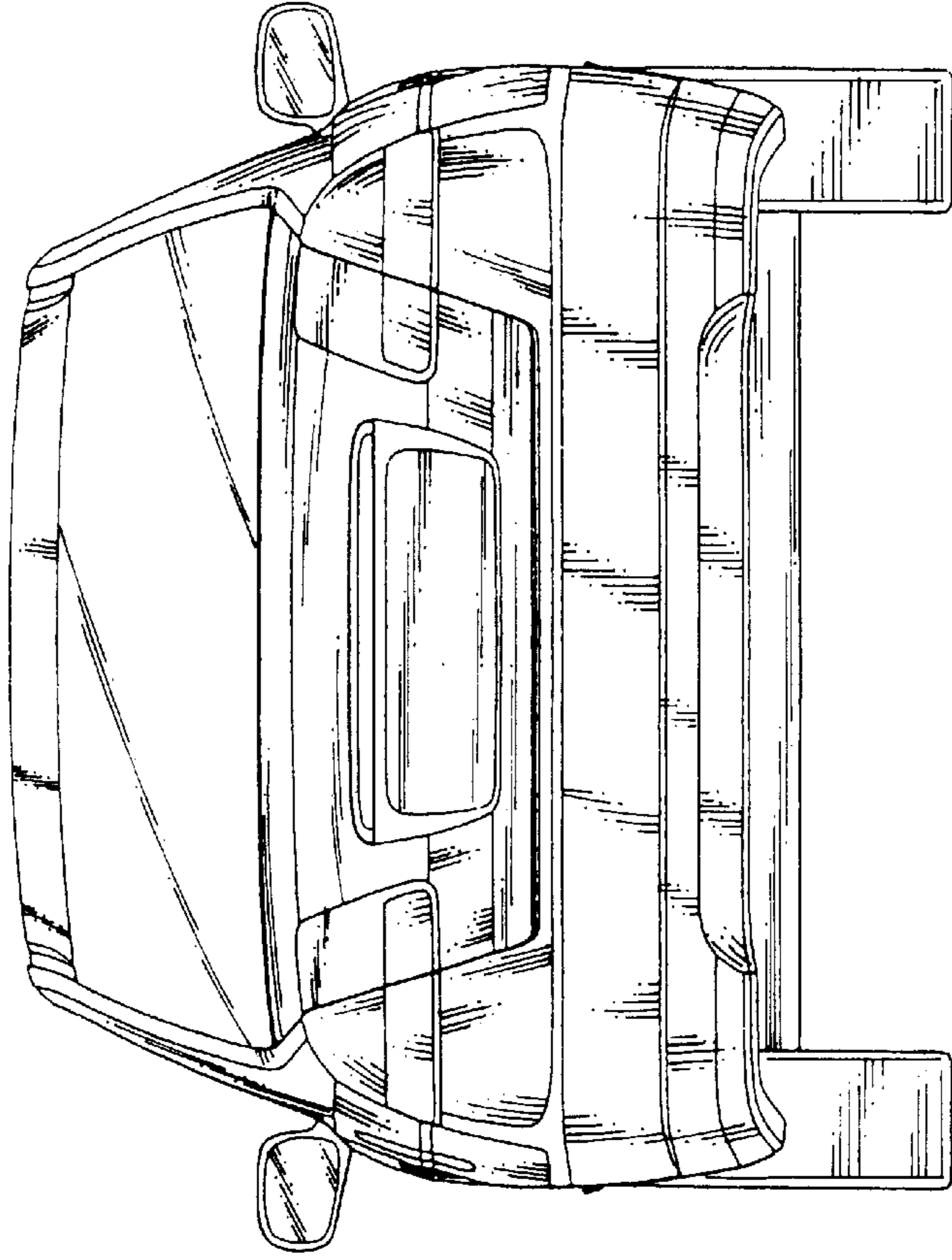


FIG. 1

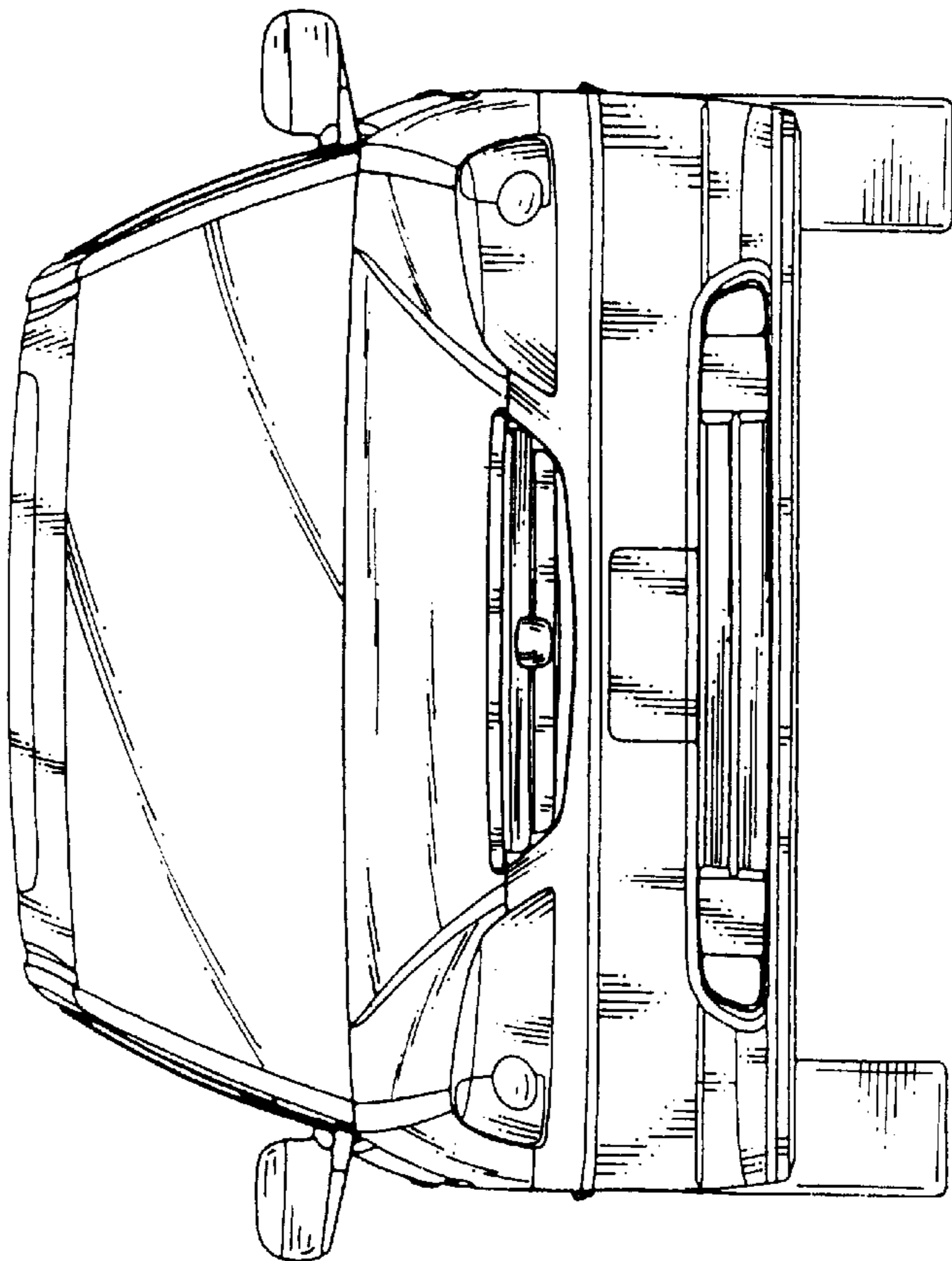


FIG. 3

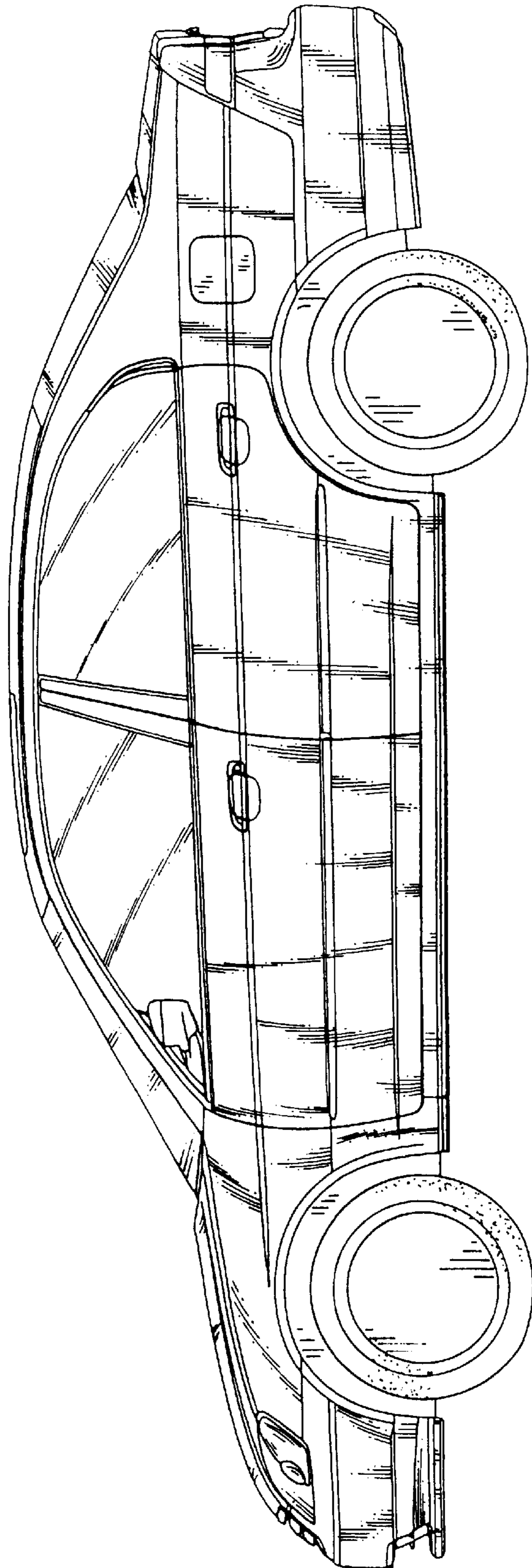


FIG. 4

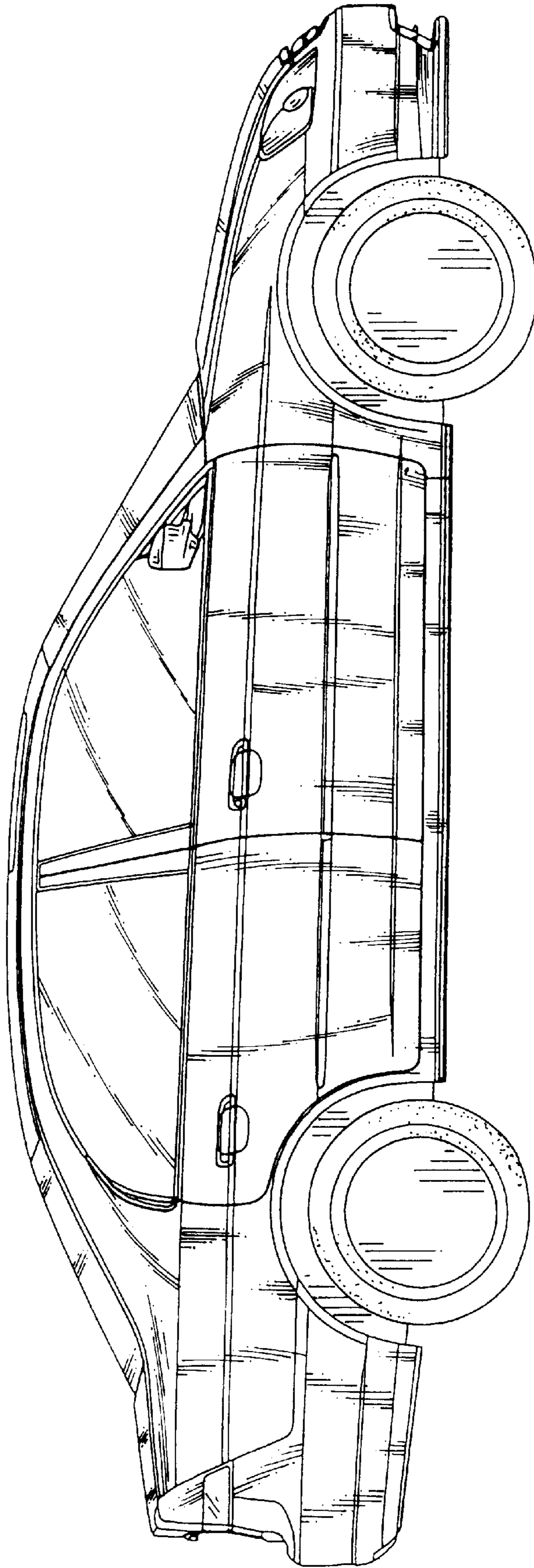


FIG. 5

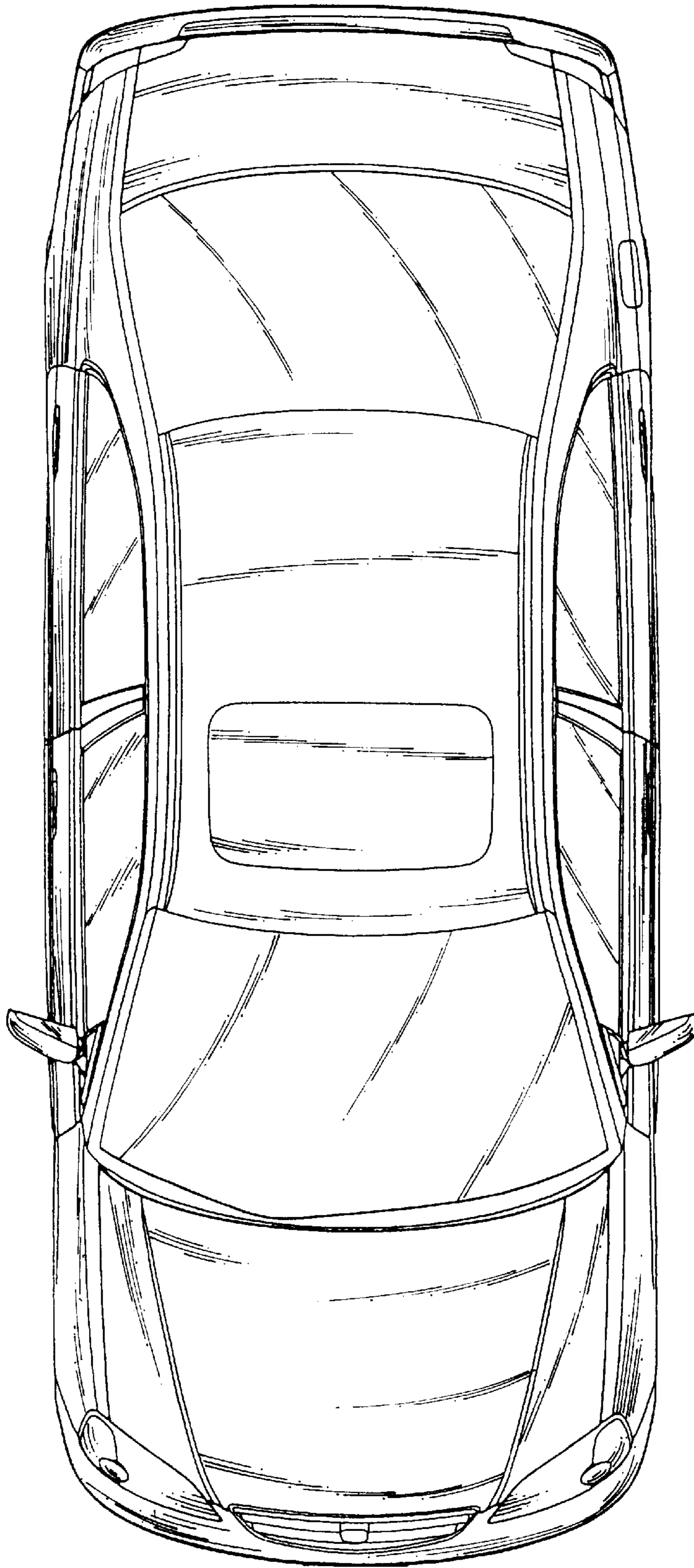


FIG. 6

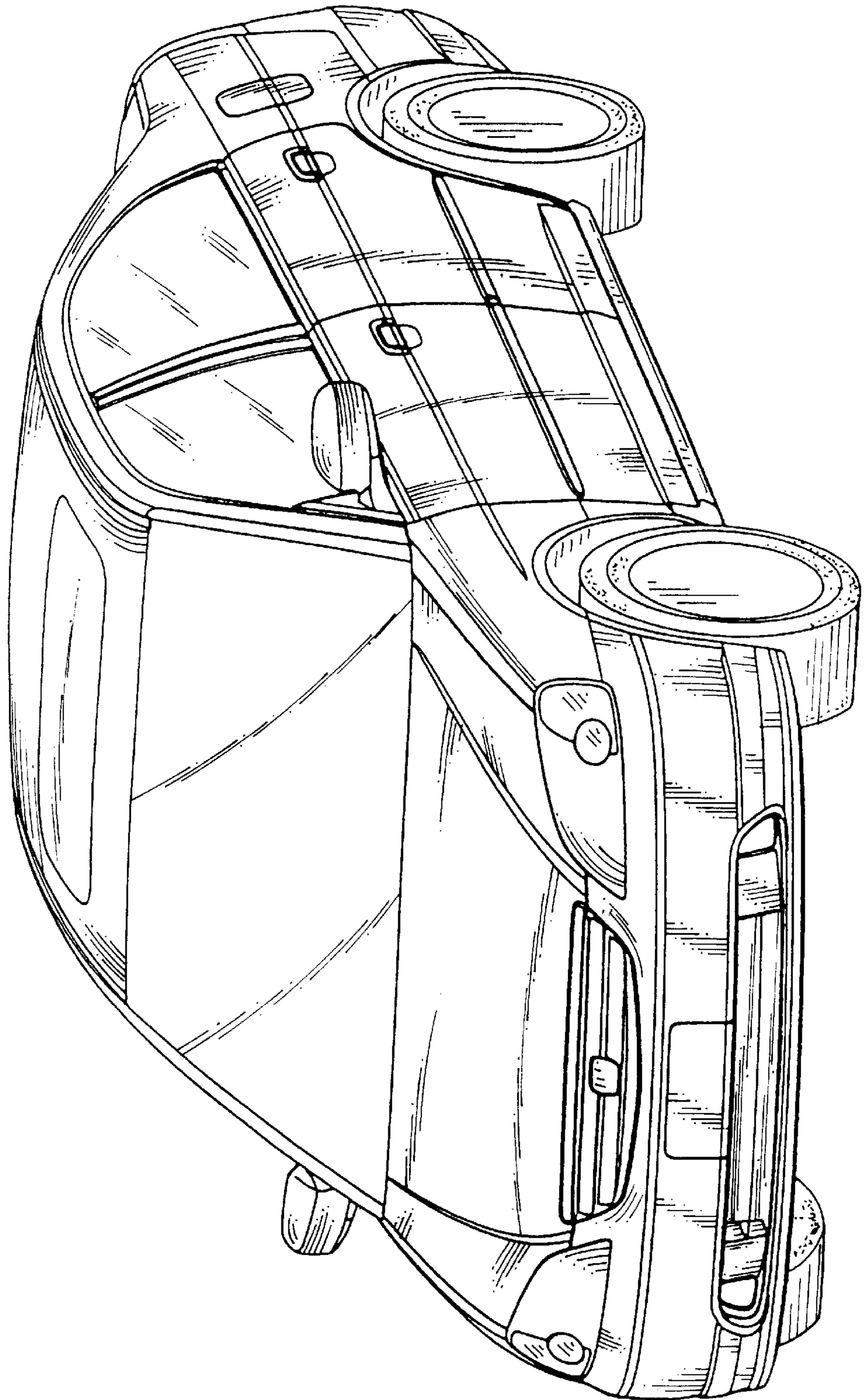


FIG. 7

