



US00D430064S

# United States Patent [19]

Verduyn et al.

[11] Patent Number: **Des. 430,064**

[45] Date of Patent: **\*\* Aug. 29, 2000**

[54] **AUTOMOBILE BODY**

[75] Inventors: **Kevin R. Verduyn**, Carlsbad; **Thomas G. Tremont**, San Diego, both of Calif.; **K. Neil Walling**, Leonard, Mich.

[73] Assignee: **DaimlerChrysler Corporation**, Auburn Hills, Mich.

[\*\*] Term: **14 Years**

[21] Appl. No.: **29/112,115**

[22] Filed: **Oct. 8, 1999**

[51] **LOC (7) Cl.** ..... **12-08**

[52] **U.S. Cl.** ..... **D12/92**

[58] **Field of Search** ..... D12/90-92, 86; 296/185

- D. 394,618 5/1998 Lawson ..... D12/91
- D. 399,790 10/1998 Boniface et al. .... D12/92
- D. 402,319 12/1998 Fu ..... D12/91
- D. 405,389 2/1999 Trostle et al. .... D12/92
- D. 416,519 11/1999 Won et al. .... D12/91
- D. 419,486 1/2000 Crain ..... D12/91

*Primary Examiner*—Melody N. Brown  
*Attorney, Agent, or Firm*—Mark P. Calcaterra

## [57] CLAIM

The ornamental design for an automobile body, as shown and described.

## DESCRIPTION

FIG. 1 is a front perspective view illustrating an automobile body constructed in accordance with the teachings of the present invention.

FIG. 2 is a rear perspective view thereof.

FIG. 3 is a right side view thereof, it will be understood that the side opposite to that shown is a substantial mirror image thereof.

FIG. 4 is a front view thereof; and,

FIG. 5 is a rear view thereof.

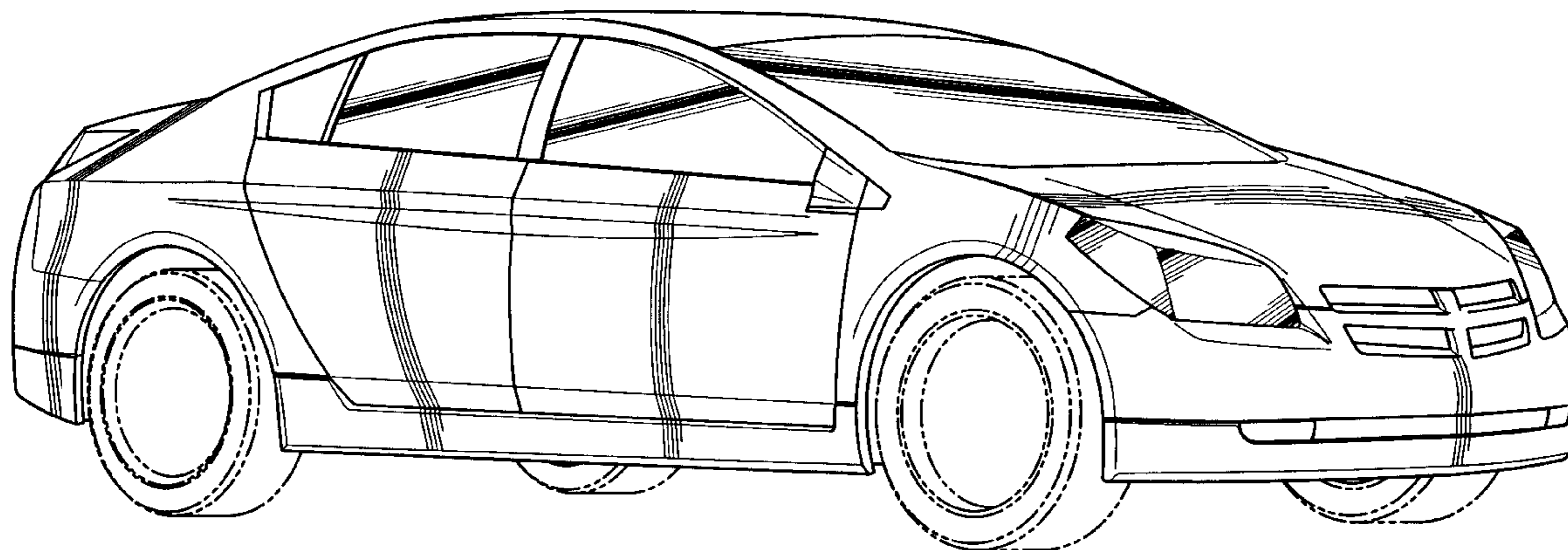
It will be understood that the broken line showing of the wheels, tires and tailpipes throughout the drawings is for illustrative purposes only and forms no part of the subject invention.

## [56] References Cited

### U.S. PATENT DOCUMENTS

- D. 324,007 2/1992 Gandini et al. .... D12/90
- D. 336,737 6/1993 Cannara ..... D12/91
- D. 345,719 4/1994 Anness et al. .... D12/92
- D. 351,124 10/1994 Dehner et al. .... D12/92
- D. 352,483 11/1994 Verduyn et al. .... D12/91
- D. 354,459 1/1995 Honarkhah et al. .... D12/92
- D. 370,646 6/1996 Verduyn ..... D12/91
- D. 375,705 11/1996 Verduyn ..... D12/91
- D. 391,522 3/1998 Hall et al. .... D12/92

**1 Claim, 4 Drawing Sheets**



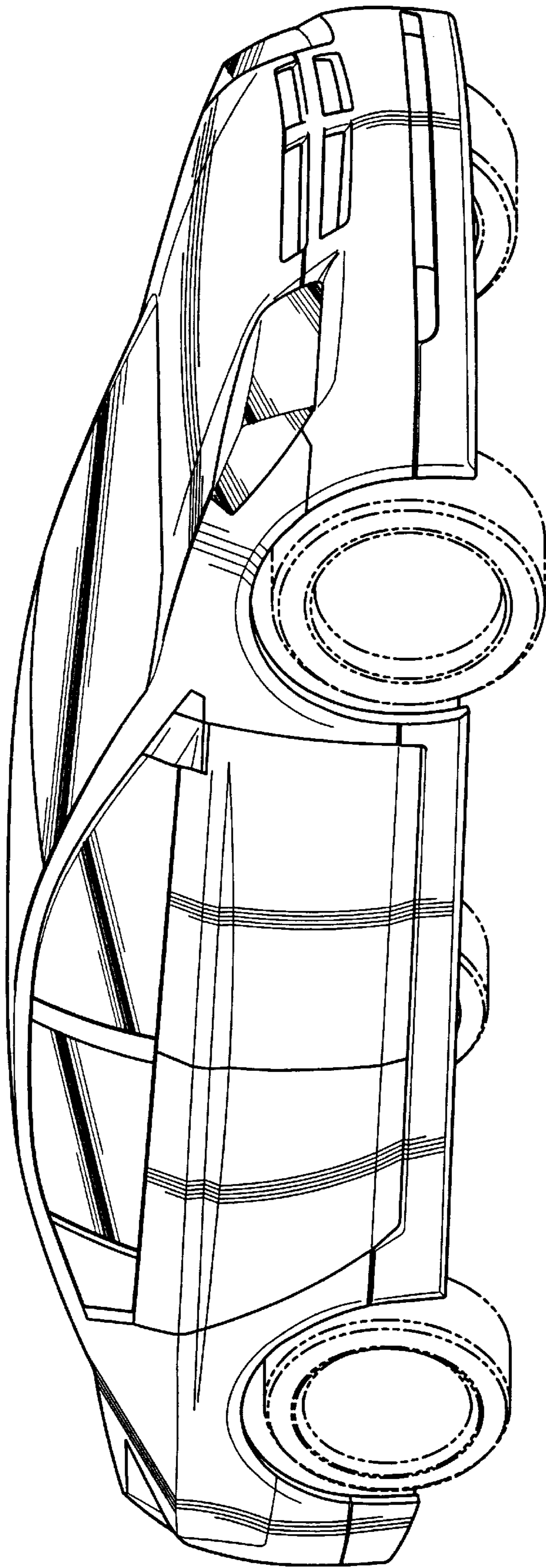


Figure - 1

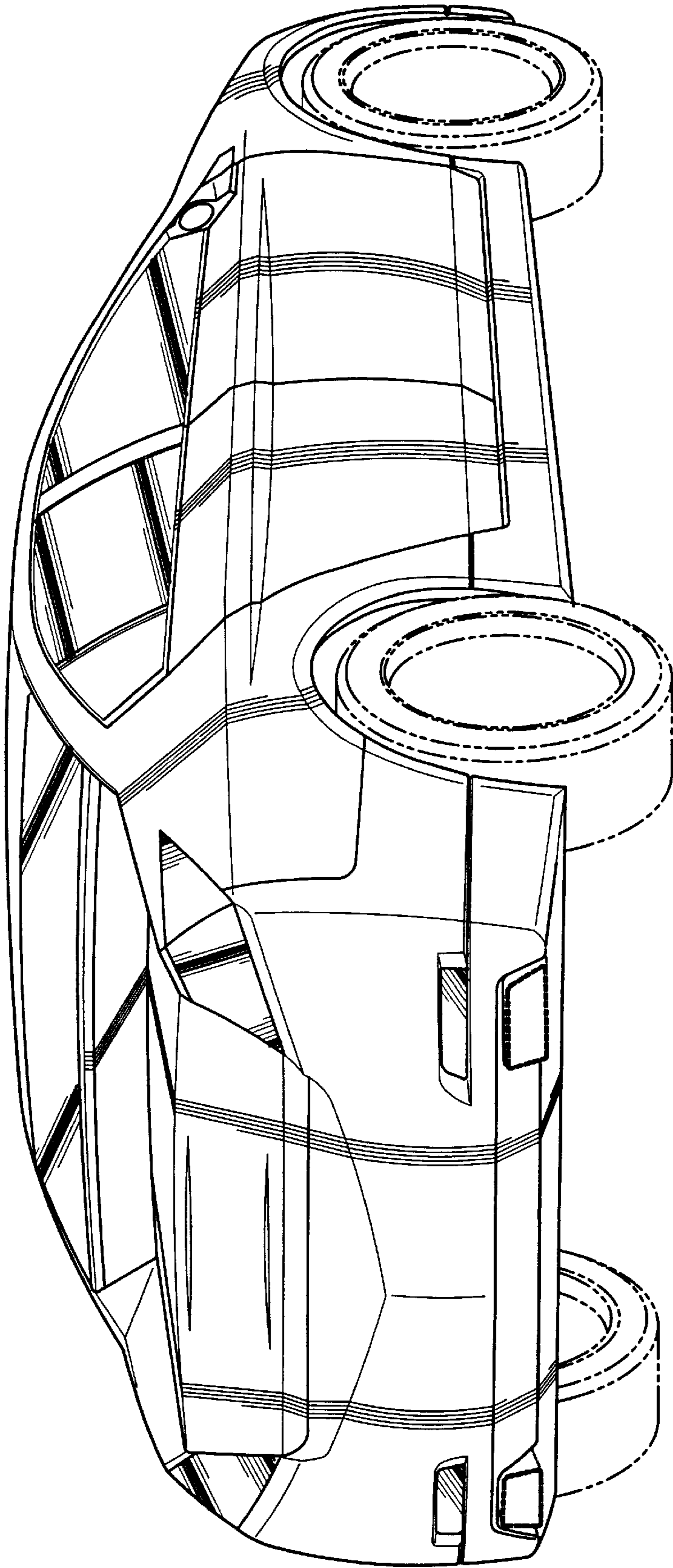


Figure - 2

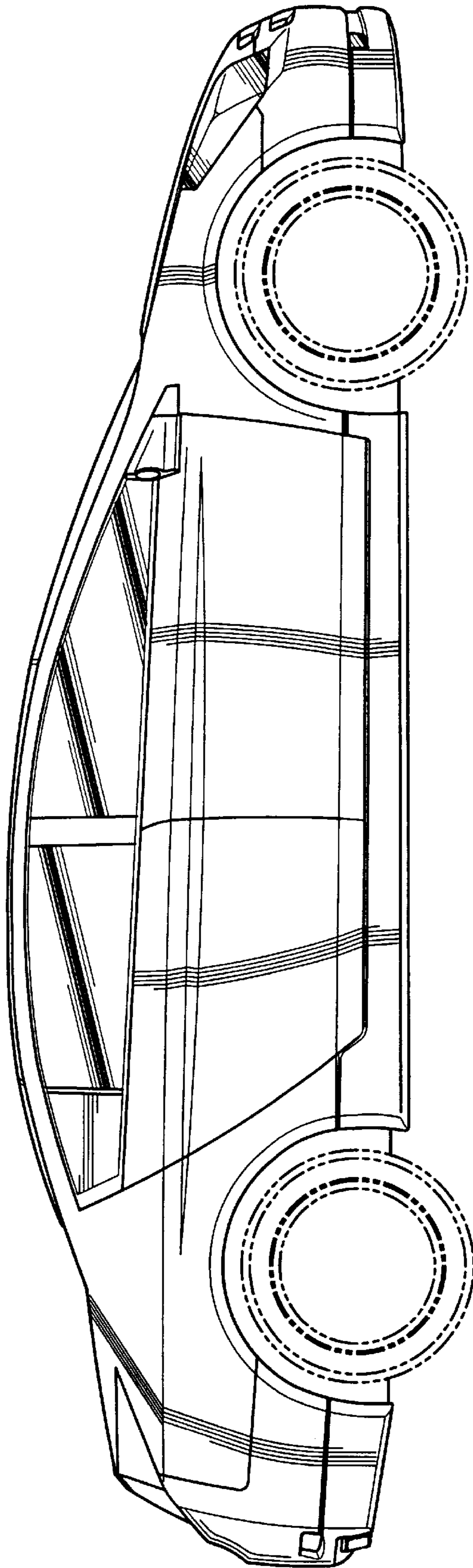


Figure - 3



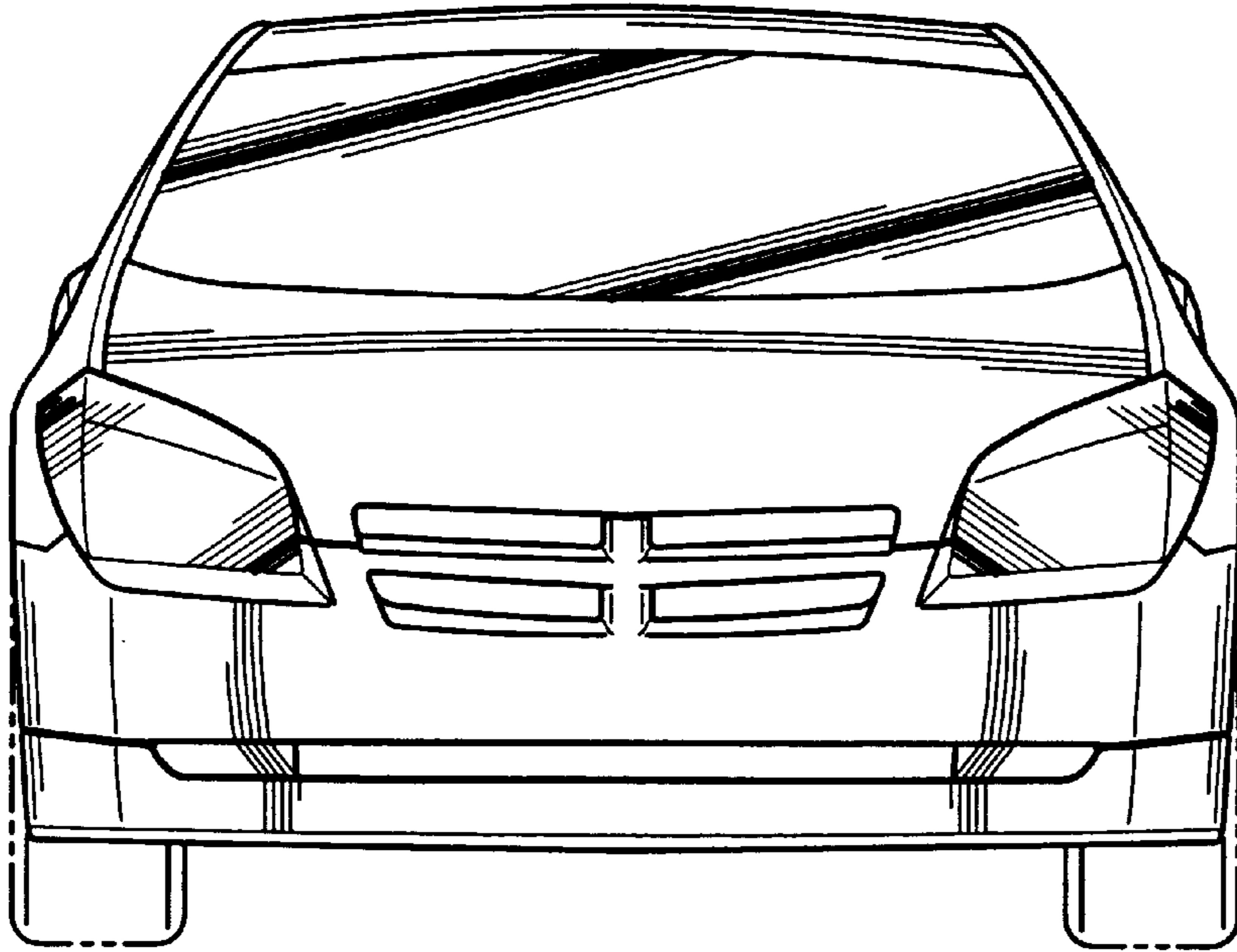


Figure - 4

Figure - 5

