



US00D430063S

United States Patent [19] Rutberg

[11] Patent Number: Des. 430,063

[45] Date of Patent: ** Aug. 29, 2000

[54] **THREE-WHEELED SCOOTER**

[75] Inventor: Gary Rutberg, Glendale, Calif.

[73] Assignee: Conceptual Perceptions, Inc., Sun Valley, Calif.

[**] Term: 14 Years

[21] Appl. No.: 29/091,434

[22] Filed: Jul. 30, 1998

[51] LOC (7) Cl. 12-08

[52] U.S. Cl. D12/85

[58] Field of Search D12/1, 8, 5, 131;
280/DIG. 5; 180/211, 215, 216, 907, 65.1,
231

[56] **References Cited**

U.S. PATENT DOCUMENTS

D. 285,671	9/1986	Thiene et al.	D12/85
D. 303,101	8/1989	Shepard et al.	D12/85
D. 322,049	12/1991	Donan et al.	D12/85
D. 325,892	5/1992	Nesteruk et al.	D12/85
D. 381,293	7/1997	Chang	D12/1
D. 395,413	6/1998	Wu	D12/85

Primary Examiner—Melody N. Brown
Attorney, Agent, or Firm—Darby & Darby P.C.

[57] **CLAIM**

The ornamental design of a three-wheeled scooter, as shown and described.

DESCRIPTION

FIG. 1 is the top front and right side perspective view of a motorized scooter showing our first embodiment;
 FIG. 2 is a front elevational view thereof;
 FIG. 3 is a left side elevational view thereof, the right side being the mirror image of that shown;
 FIG. 4 is a rear elevational view thereof;
 FIG. 5 is a top plan view thereof;
 FIG. 6 is a bottom plan view thereof;
 FIG. 7 is a top front and right side perspective view of a motorized scooter showing a second embodiment of our new design;
 FIG. 8 is a rear elevational view of FIG. 7;
 FIG. 9 is a front elevational view of FIG. 7;
 FIG. 10 is a left side elevational view of FIG. 7, the right side being the mirror image of that shown;
 FIG. 11 is a top plan view of FIG. 7; and,
 FIG. 12 is a bottom plan view of FIG. 7.

1 Claim, 6 Drawing Sheets

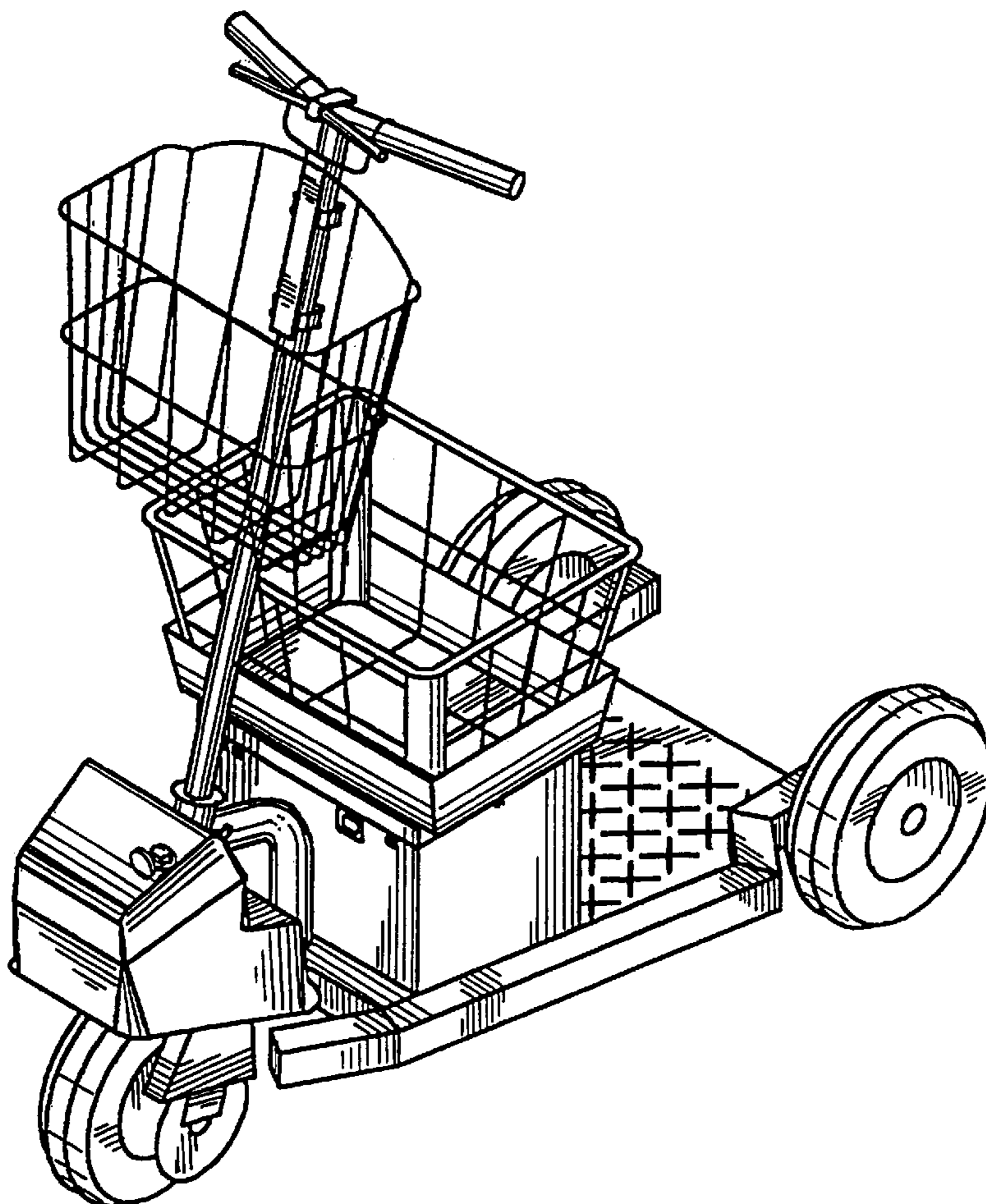


FIG. 2

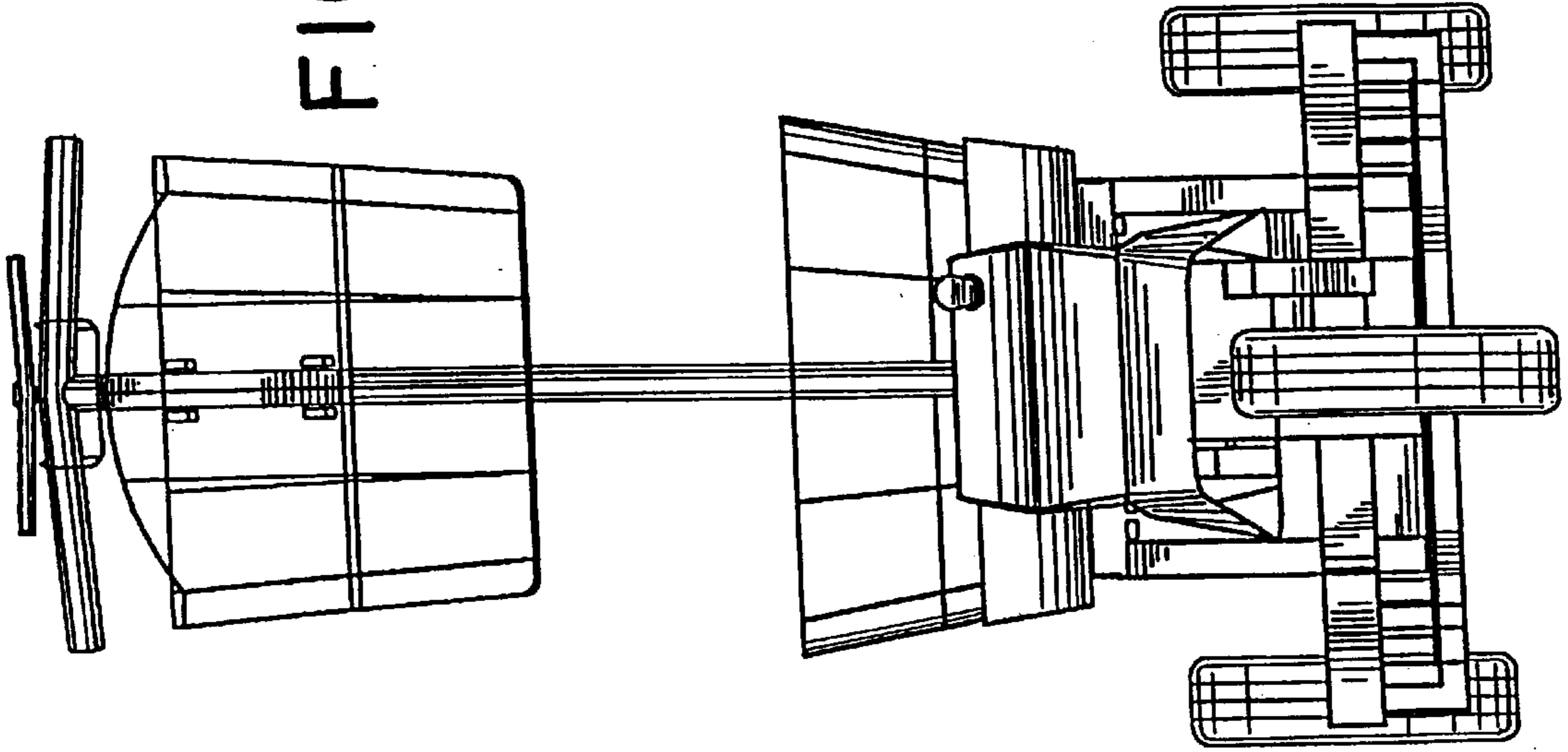


FIG. 1

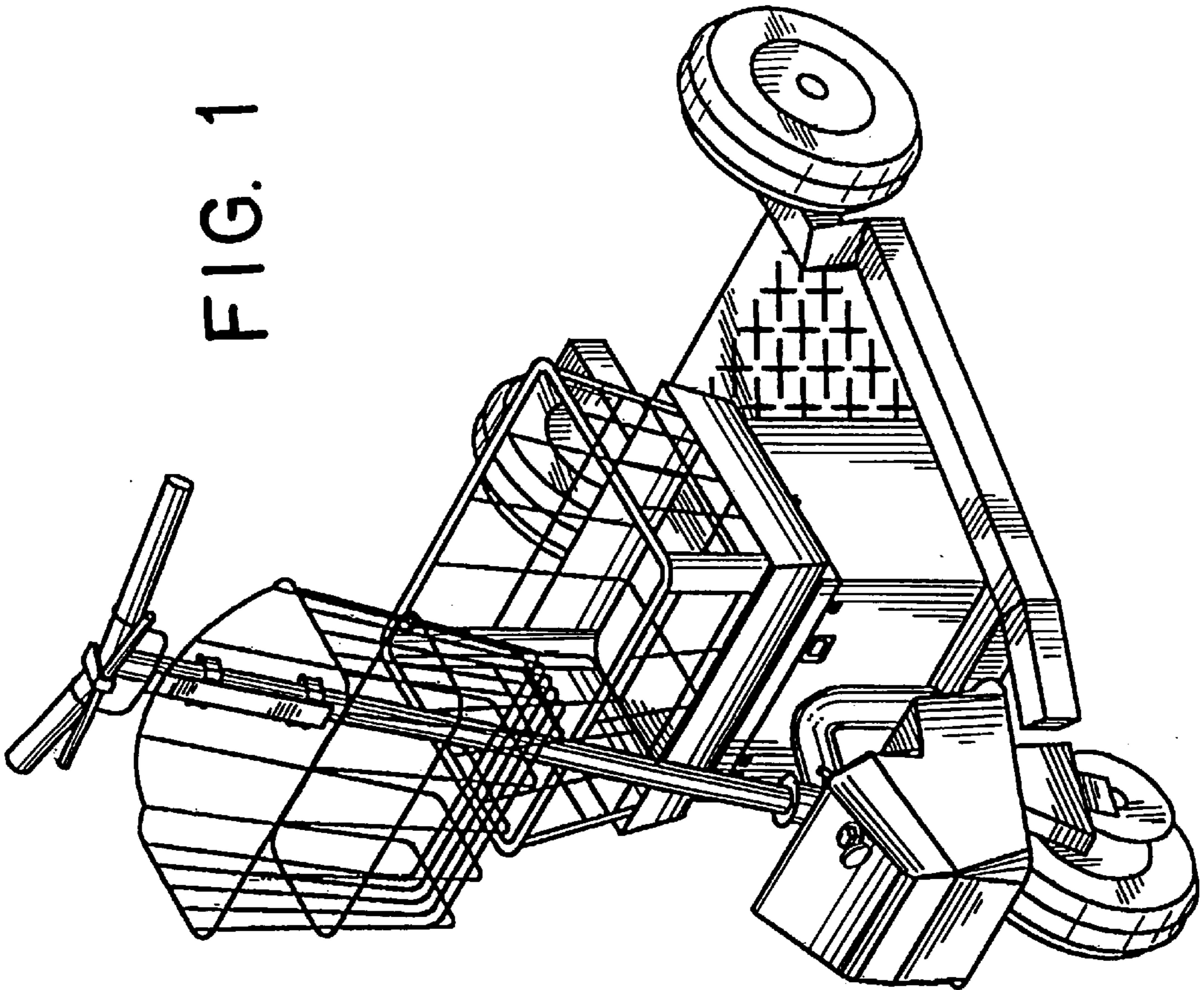


FIG. 4

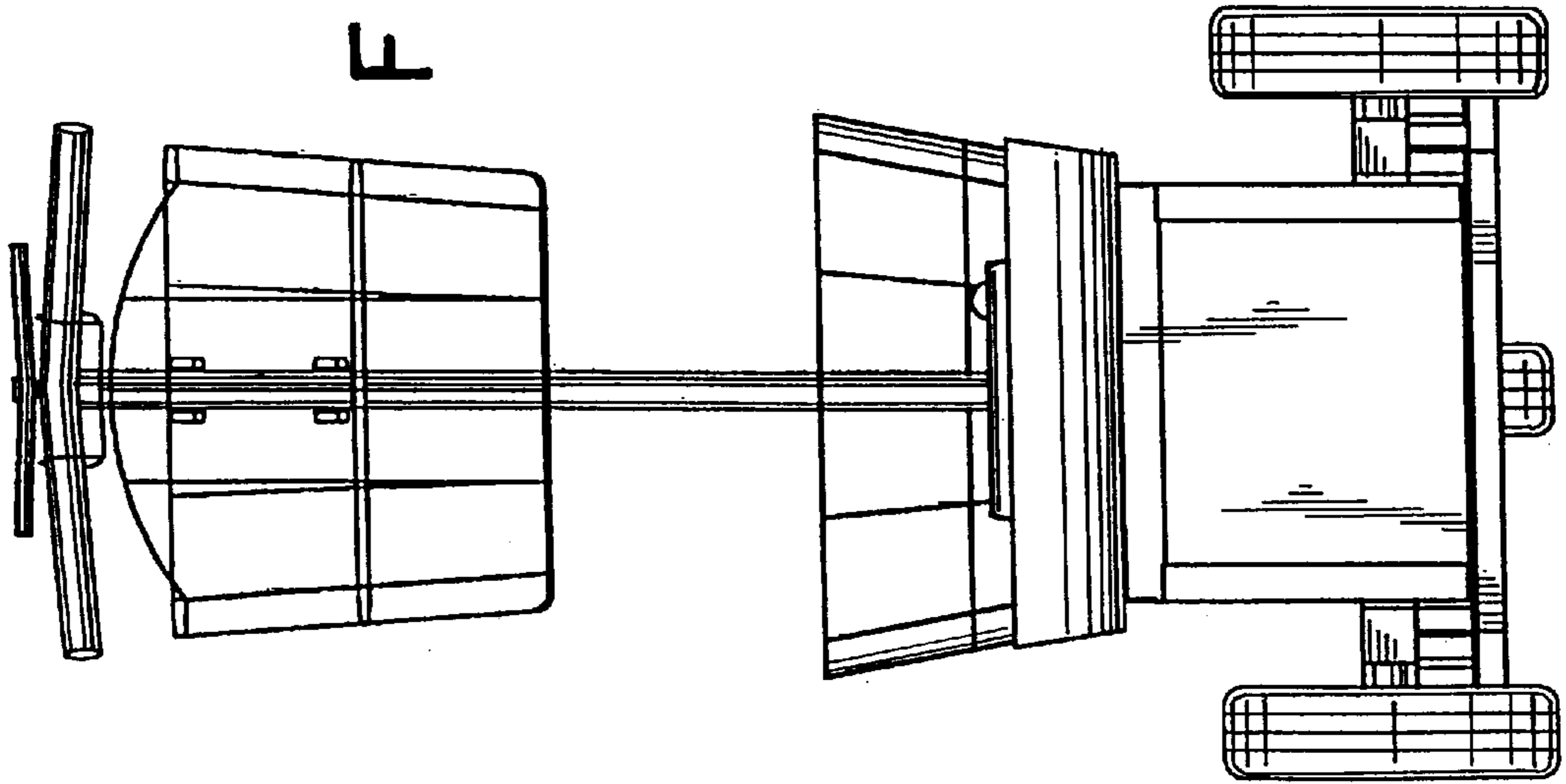


FIG. 3

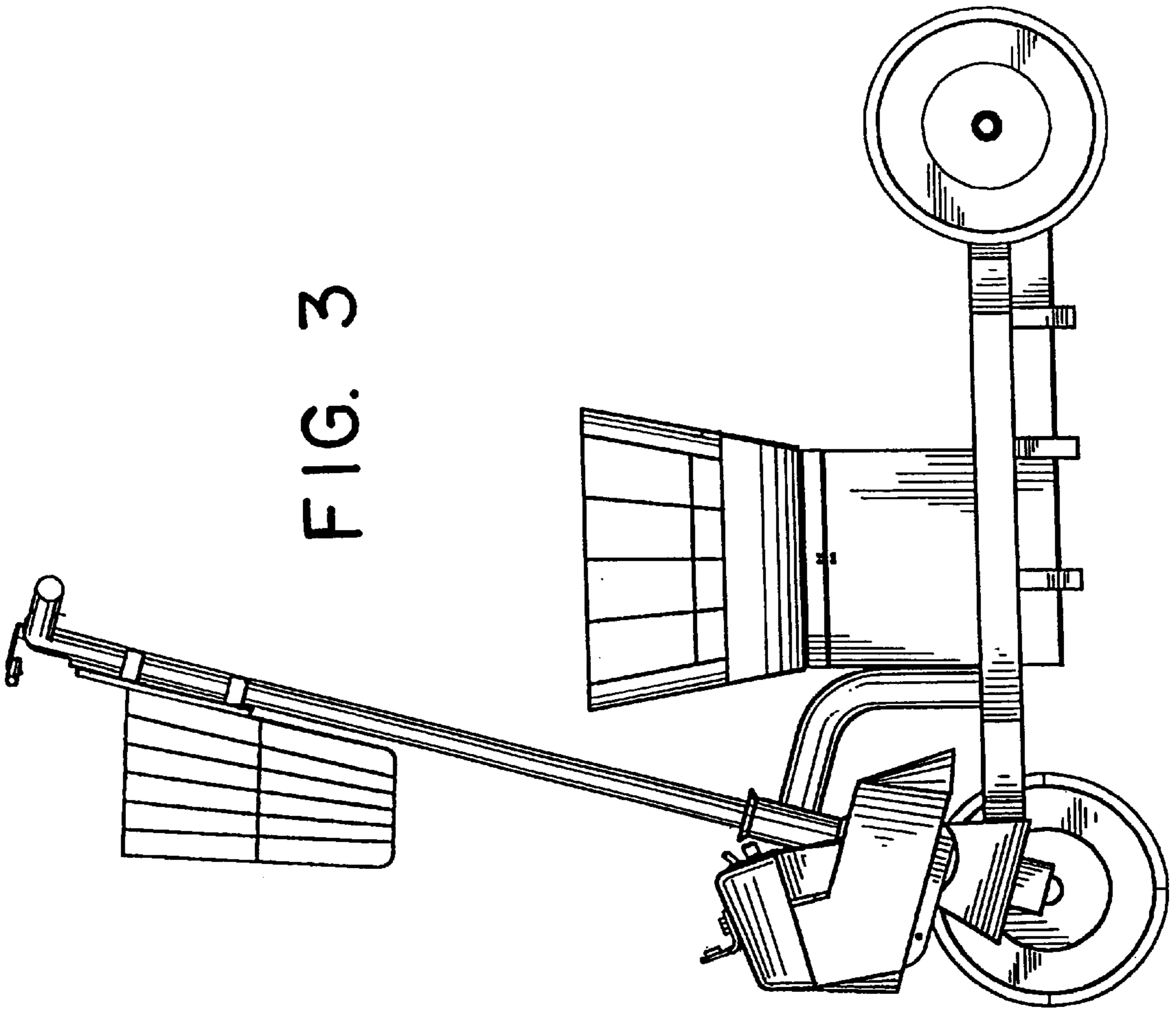


FIG. 6

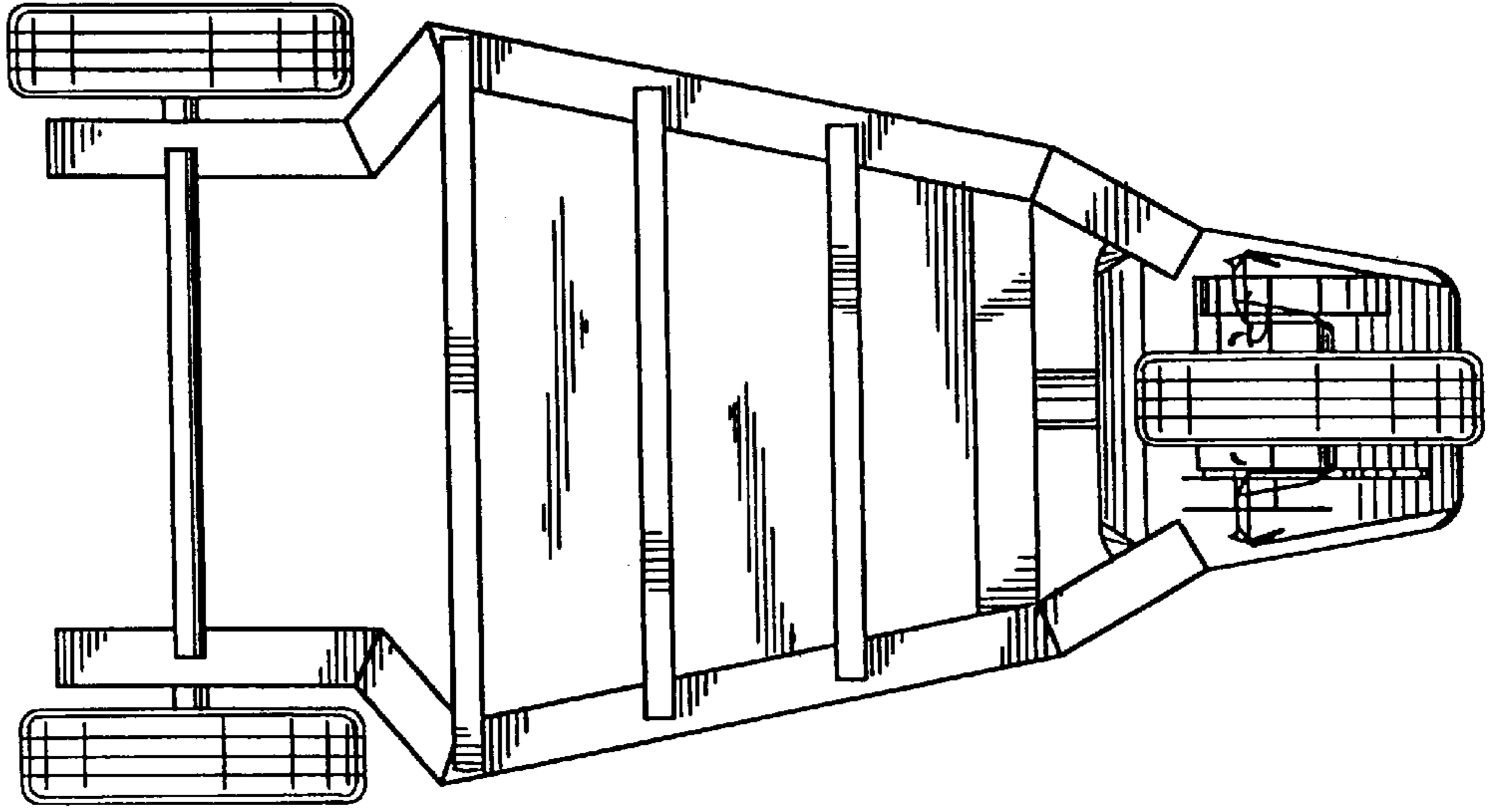


FIG. 5

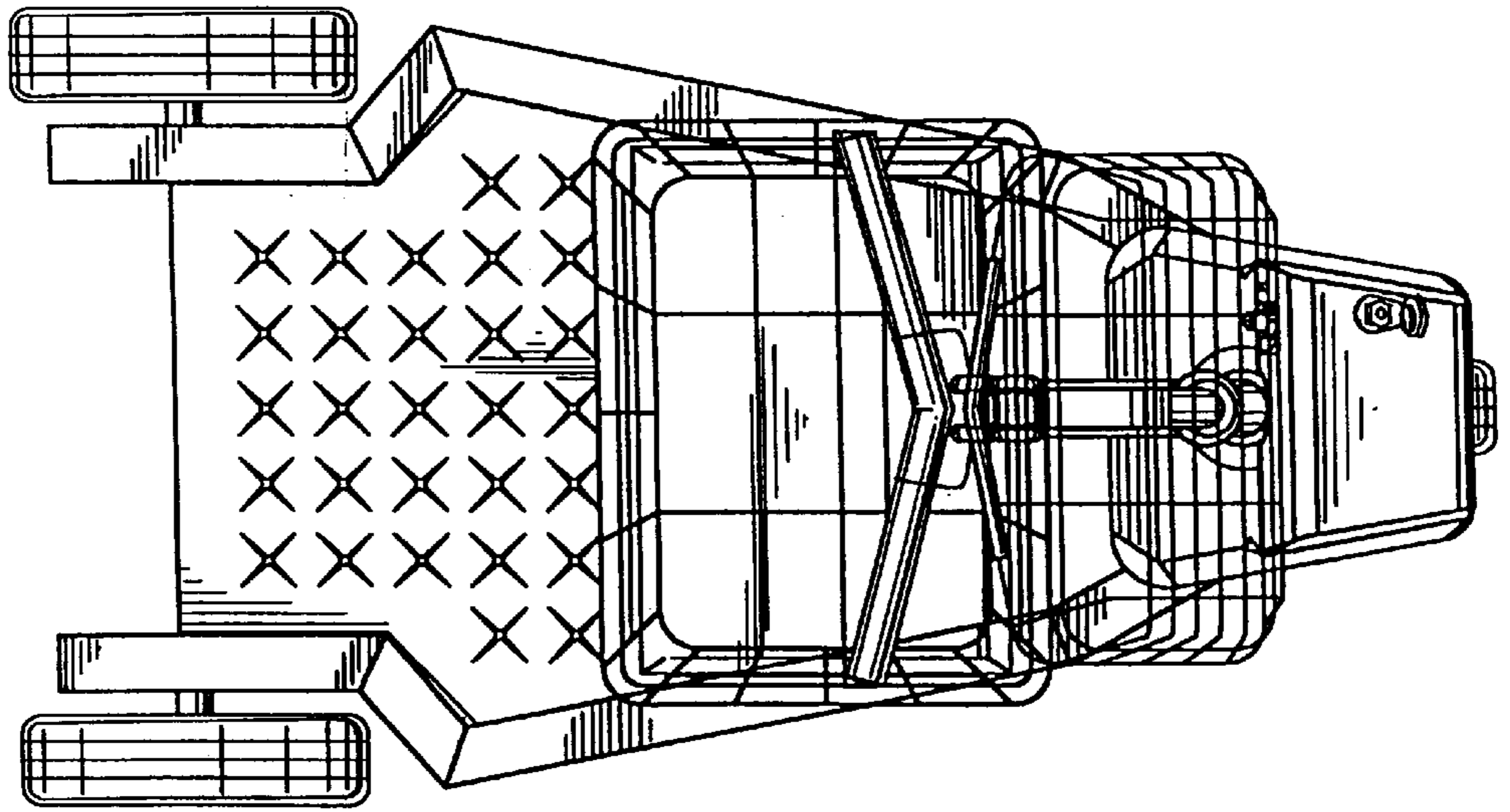


FIG. 8

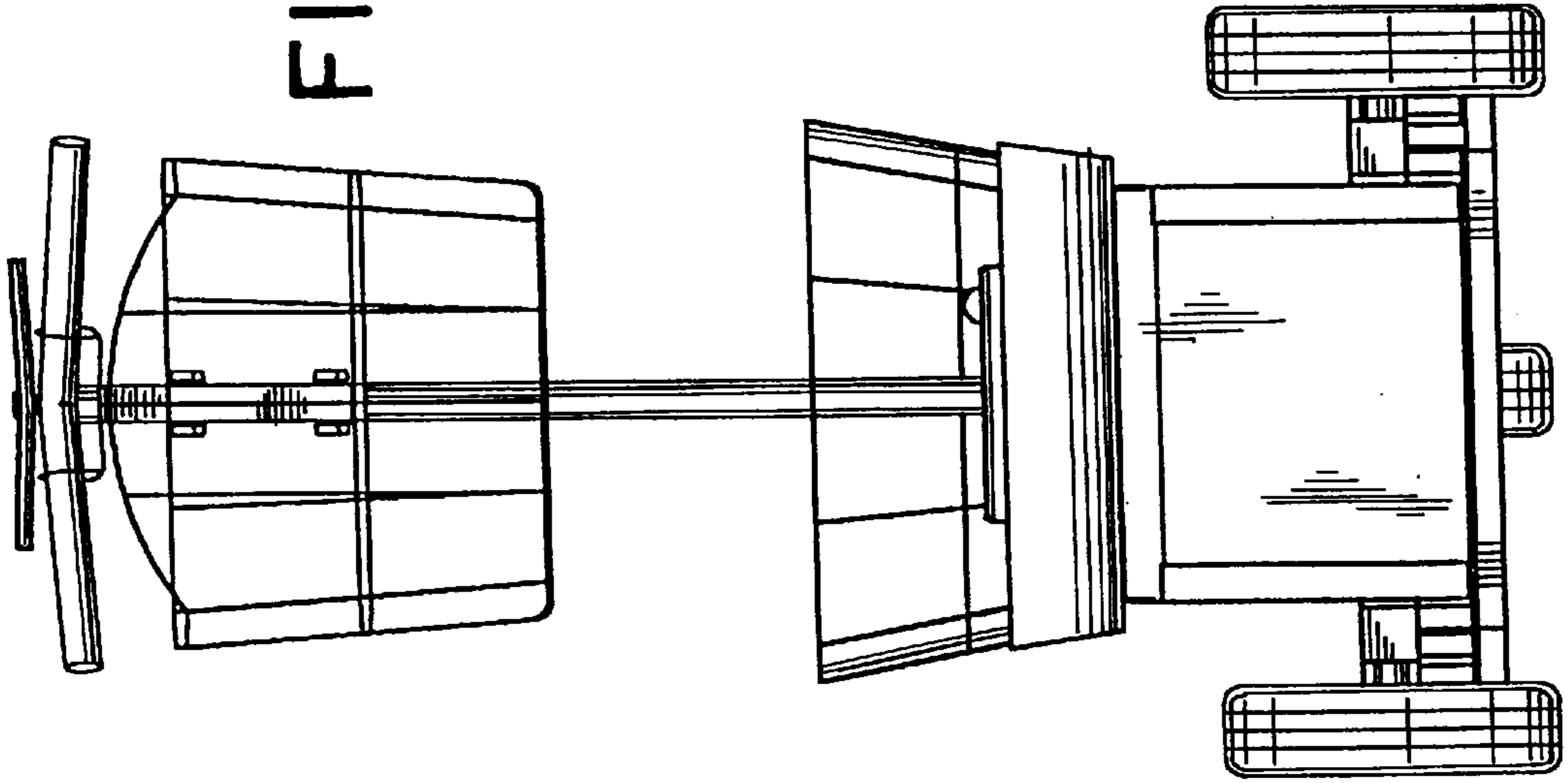


FIG. 7

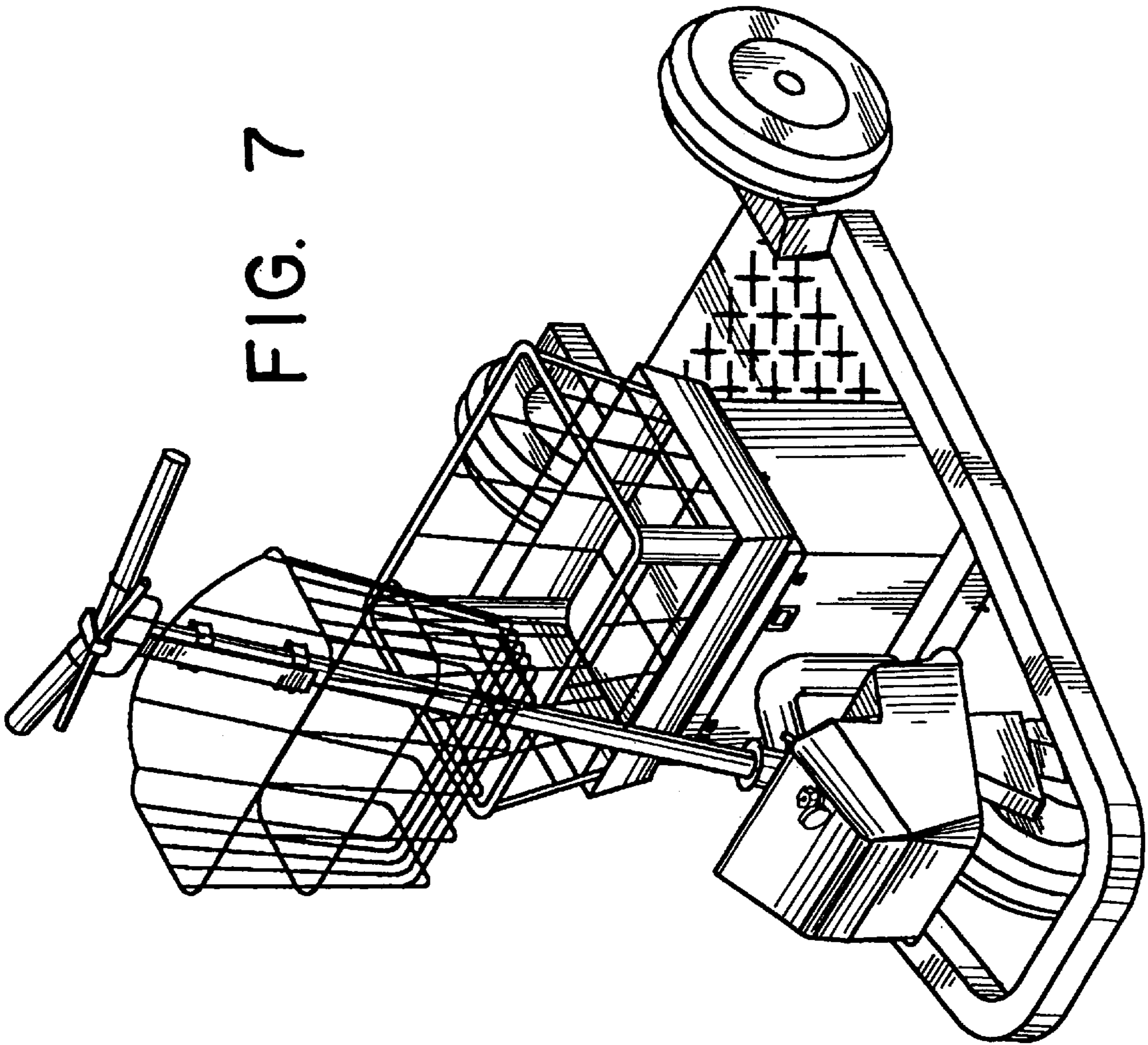


FIG. 10

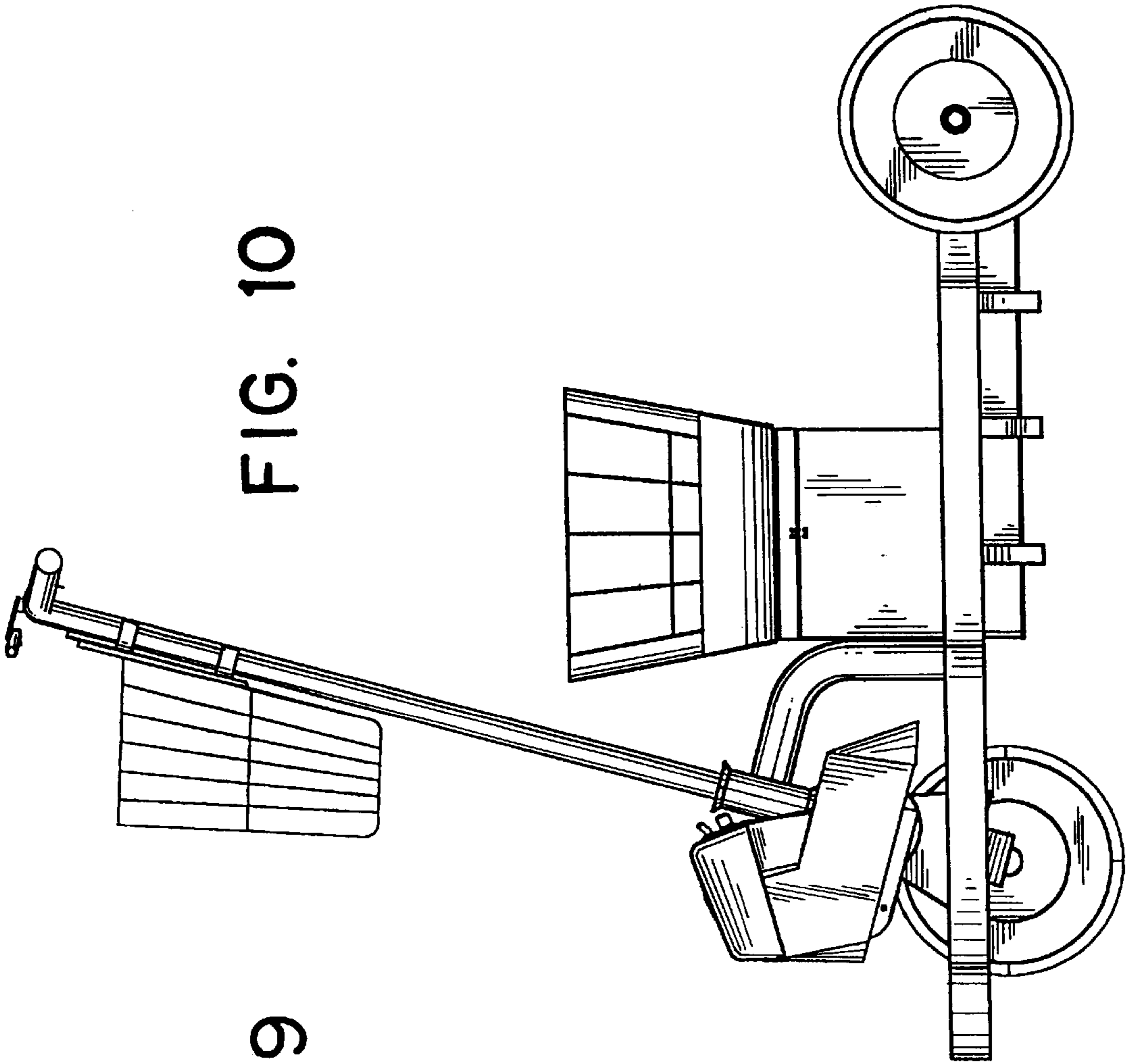


FIG. 9

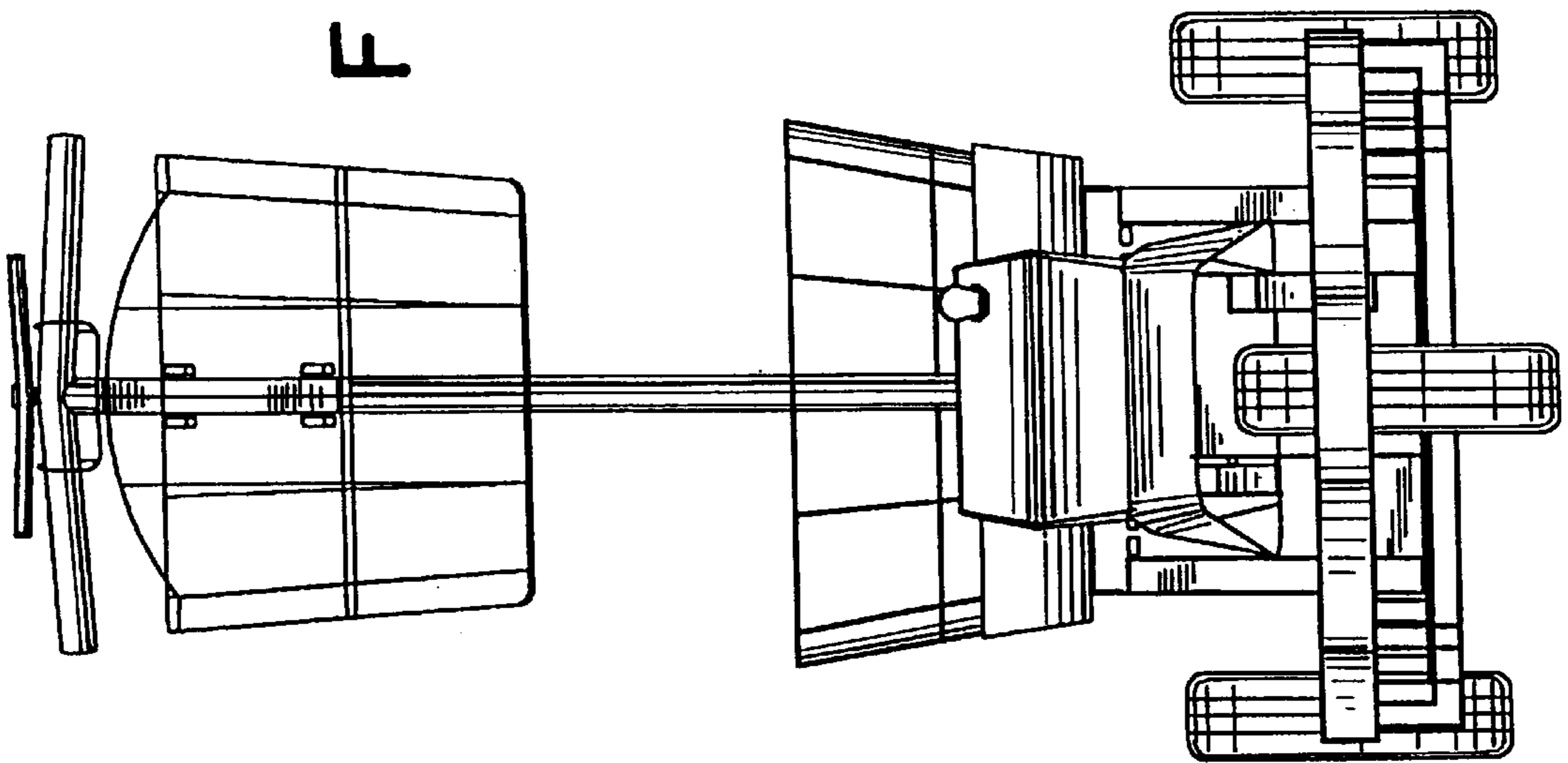


FIG. 12

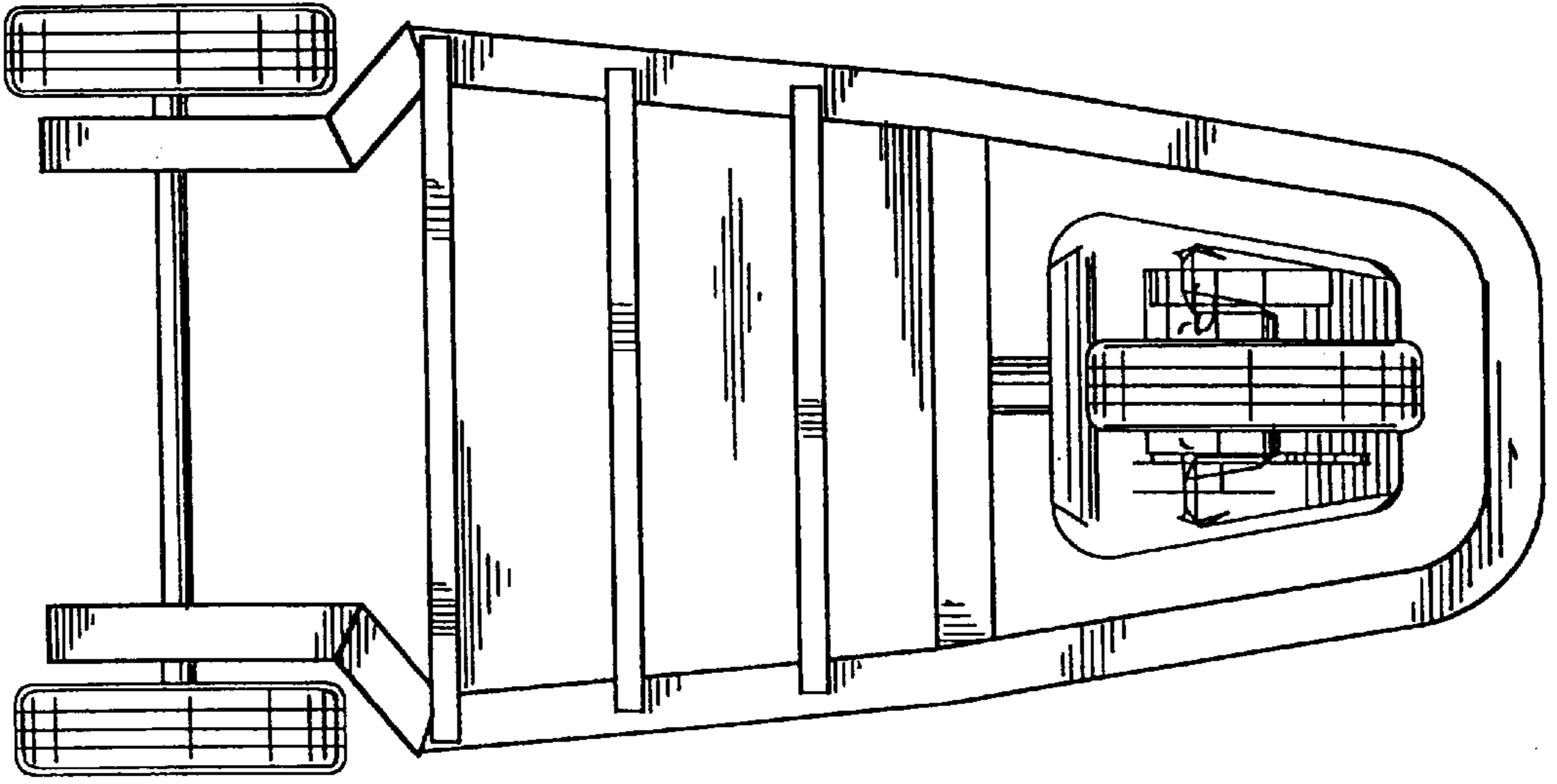


FIG. 11

