



US00D430056S

United States Patent [19]

Aiello et al.

[11] Patent Number: **Des. 430,056**

[45] Date of Patent: **** Aug. 29, 2000**

[54] **ULTRASONIC OCCUPANCY SENSOR**

[75] Inventors: **Justin Aiello**, Port Washington, N.Y.;
Willfred Goldschmidt, Weston; **Jeff Mullally**, Milford, both of Conn.; **R. Kurt Bender**, Dripping Springs, Tex.

[73] Assignee: **Mytech**, Austin, Tex.

[**] Term: **14 Years**

[21] Appl. No.: **29/115,215**

[22] Filed: **Dec. 8, 1999**

[51] **LOC (7) Cl.** **10-05**

[52] **U.S. Cl.** **D10/106**

[58] **Field of Search** D10/104, 106,
D10/116, 121; 340/541, 543, 544, 545,
546, 547, 551, 571, 572, 573, 689

[56] **References Cited**

U.S. PATENT DOCUMENTS

D. 381,283 7/1997 Soreo D10/106

D. 383,078 9/1997 Carmi D10/106
D. 404,326 1/1999 Bender et al. D10/106
D. 409,936 5/1999 Baldwin et al. D10/106
D. 421,403 3/2000 Kangaki D10/106

Primary Examiner—Marcus A. Jackson
Attorney, Agent, or Firm—Fulbright & Jaworski

[57] **CLAIM**

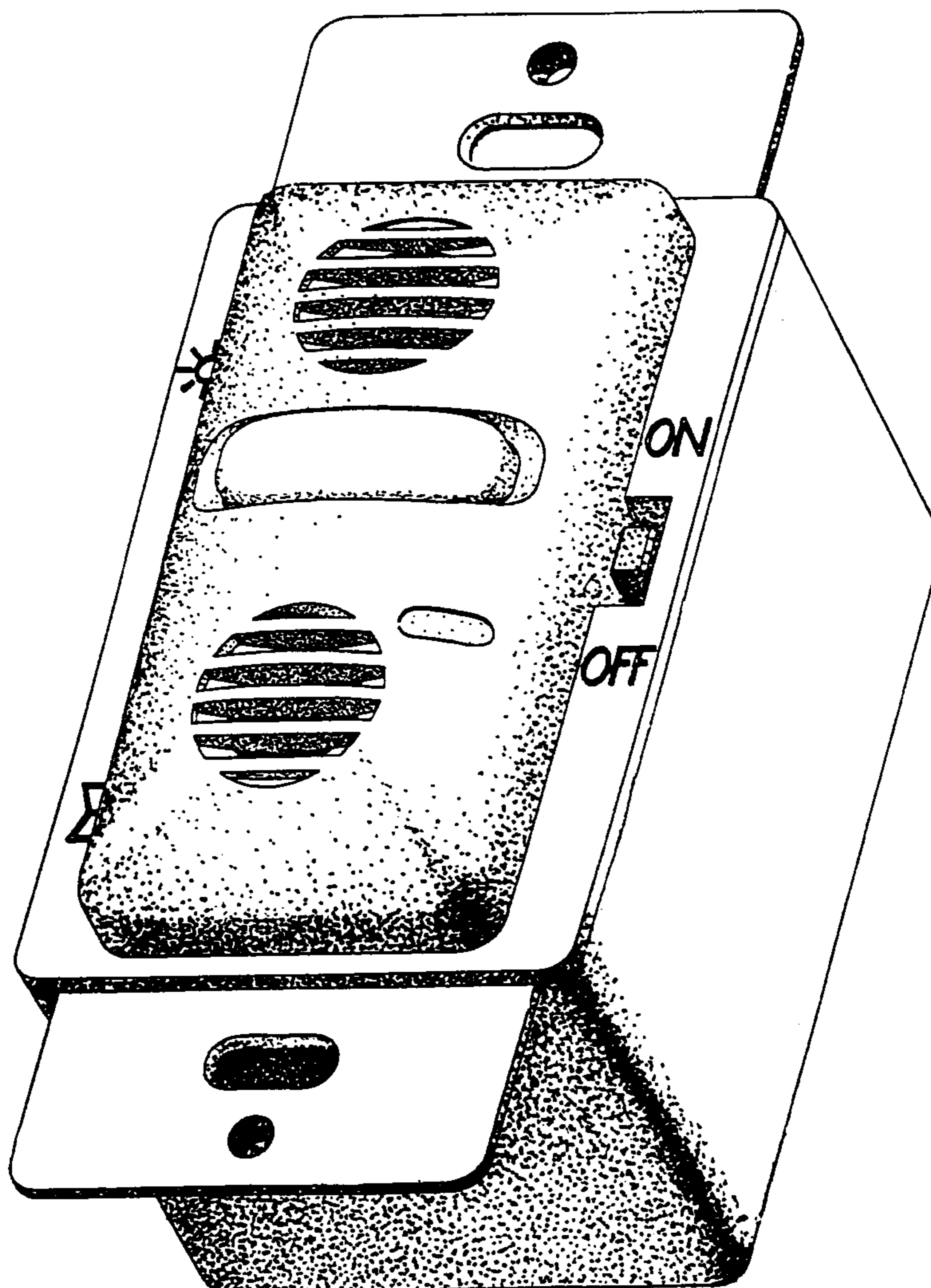
The design for an ultrasonic occupancy sensor, as shown and described.

DESCRIPTION

FIG. 1 is a perspective view of the bottom, front and right sides of the ultrasonic occupancy sensor showing the new and ornamental design; and,

FIG. 2 is a perspective view of the top, front and left sides of the ultrasonic occupancy sensor of FIG. 1.

1 Claim, 2 Drawing Sheets



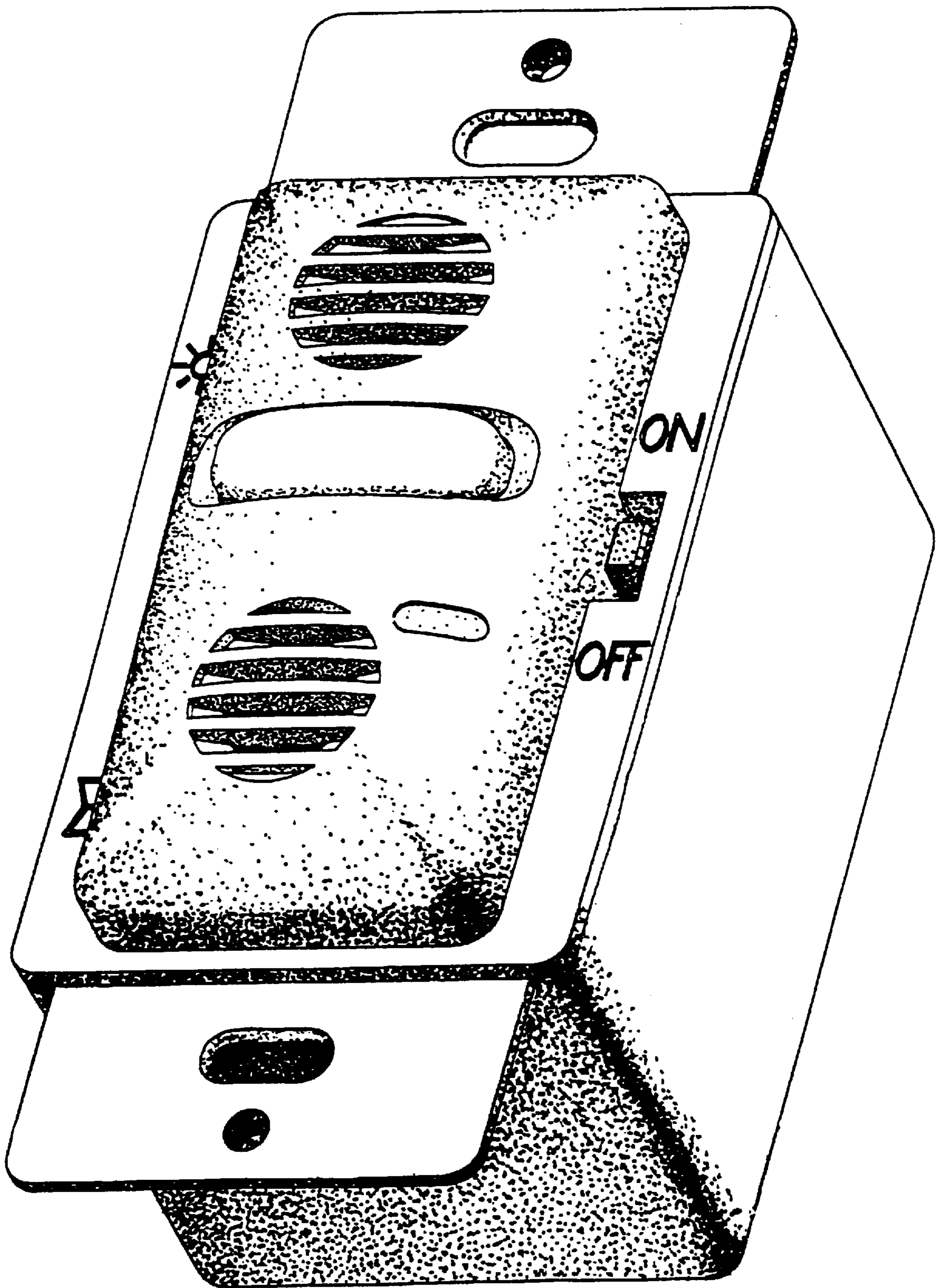


Figure 1

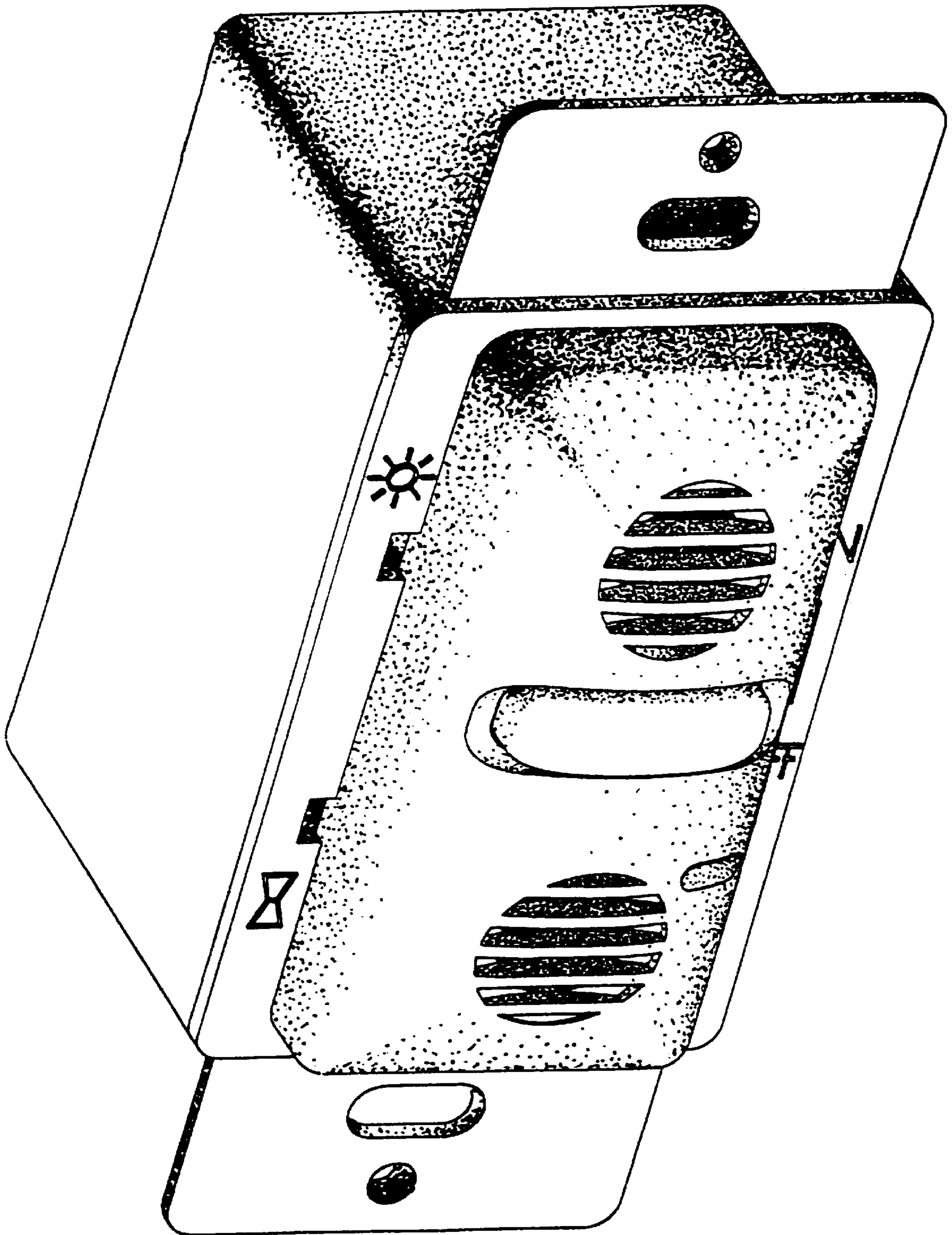


Figure 2