



US00D430054S

United States Patent [19]
McMullen

[11] **Patent Number: Des. 430,054**

[45] **Date of Patent: ** Aug. 29, 2000**

[54] **EMERGENCY SIREN RECEIVER FOR CONTROLLING TRAFFIC LIGHTS**

Primary Examiner—Marcus A. Jackson

[76] Inventor: **Larry McMullen**, 3200 Newkirk Ave., Forestville, Md. 20747

[57] **CLAIM**

The ornamental design for a emergency siren receiver for controlling traffic lights, as shown.

[**] Term: **14 Years**

DESCRIPTION

[21] Appl. No.: **29/119,598**

FIG. 1 is a front elevational view of the emergency siren receiver for controlling traffic lights of the present invention; FIG. 2 is a back elevational view of the emergency siren receiver for controlling traffic lights of FIG. 1;

[22] Filed: **Mar. 6, 2000**

[51] **LOC (7) Cl.** **10-05**

FIG. 3 is a left side elevational view of the emergency siren receiver for controlling traffic lights of FIG. 1;

[52] **U.S. Cl.** **D10/104**

FIG. 4 is a right side elevational view of the emergency siren receiver for controlling traffic lights of FIG. 1;

[58] **Field of Search** D10/104, 106, D10/109, 121; 340/901-908

FIG. 5 is a top plan view of the emergency siren receiver for controlling traffic lights of FIG. 1; and,

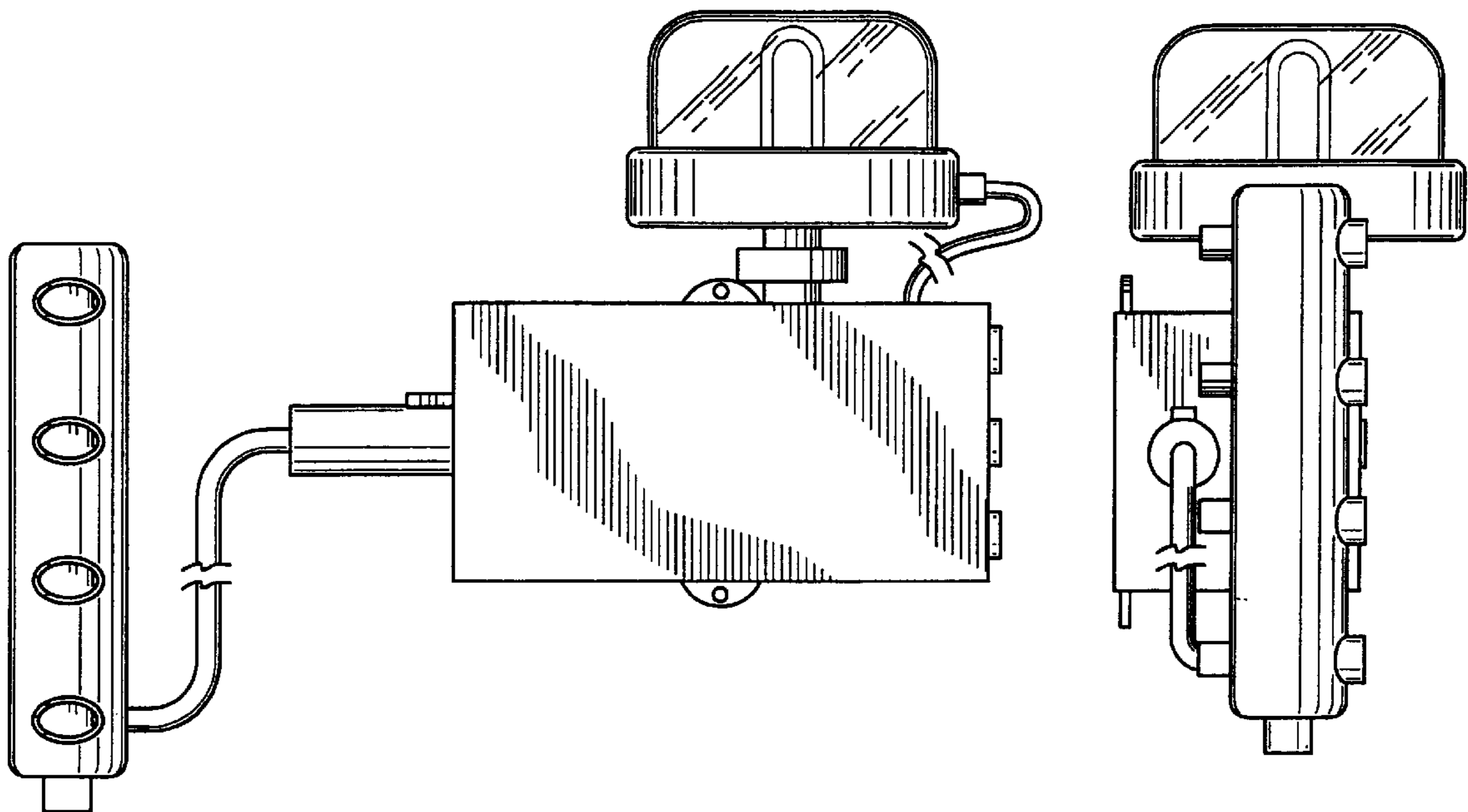
[56] **References Cited**

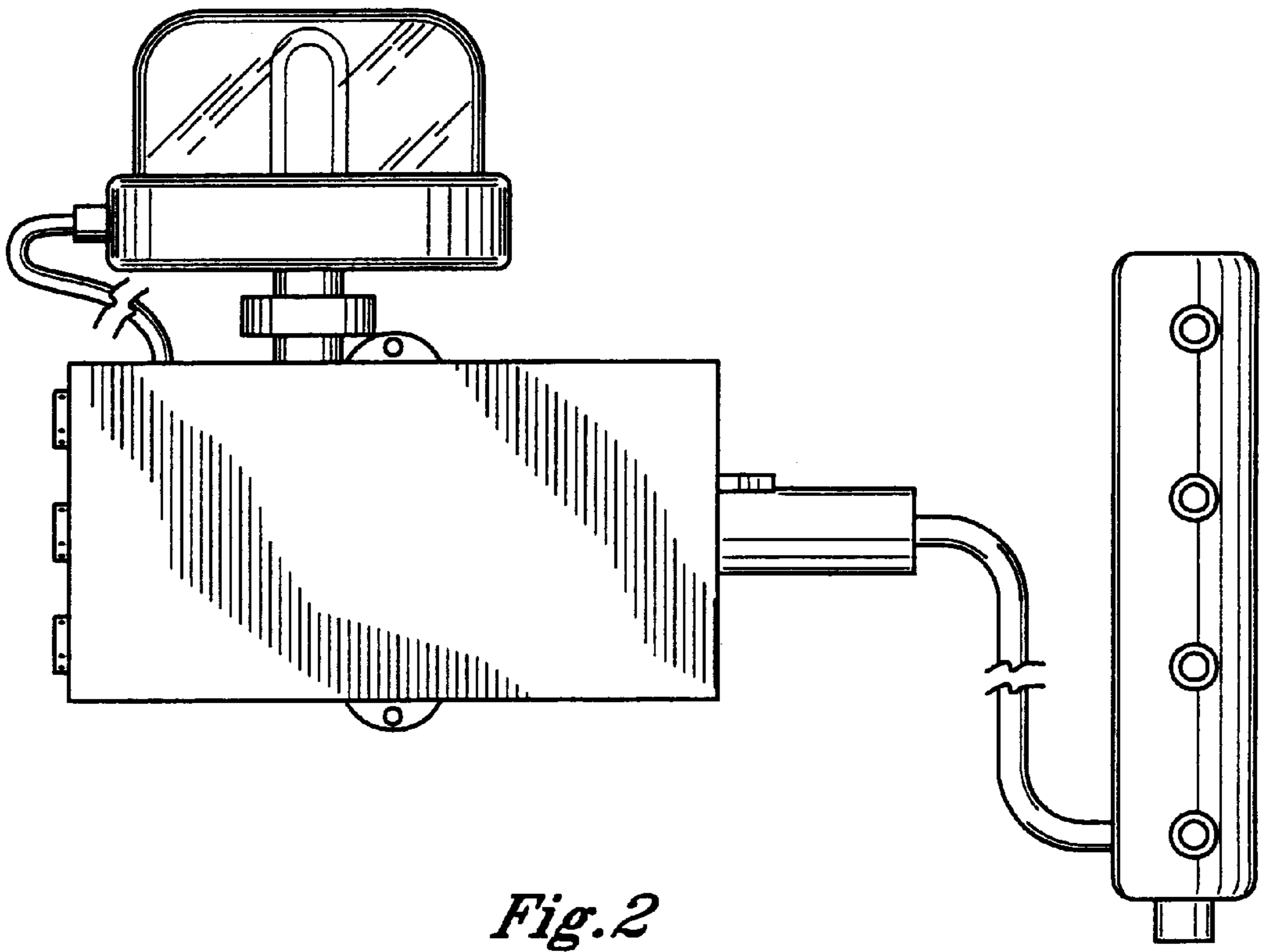
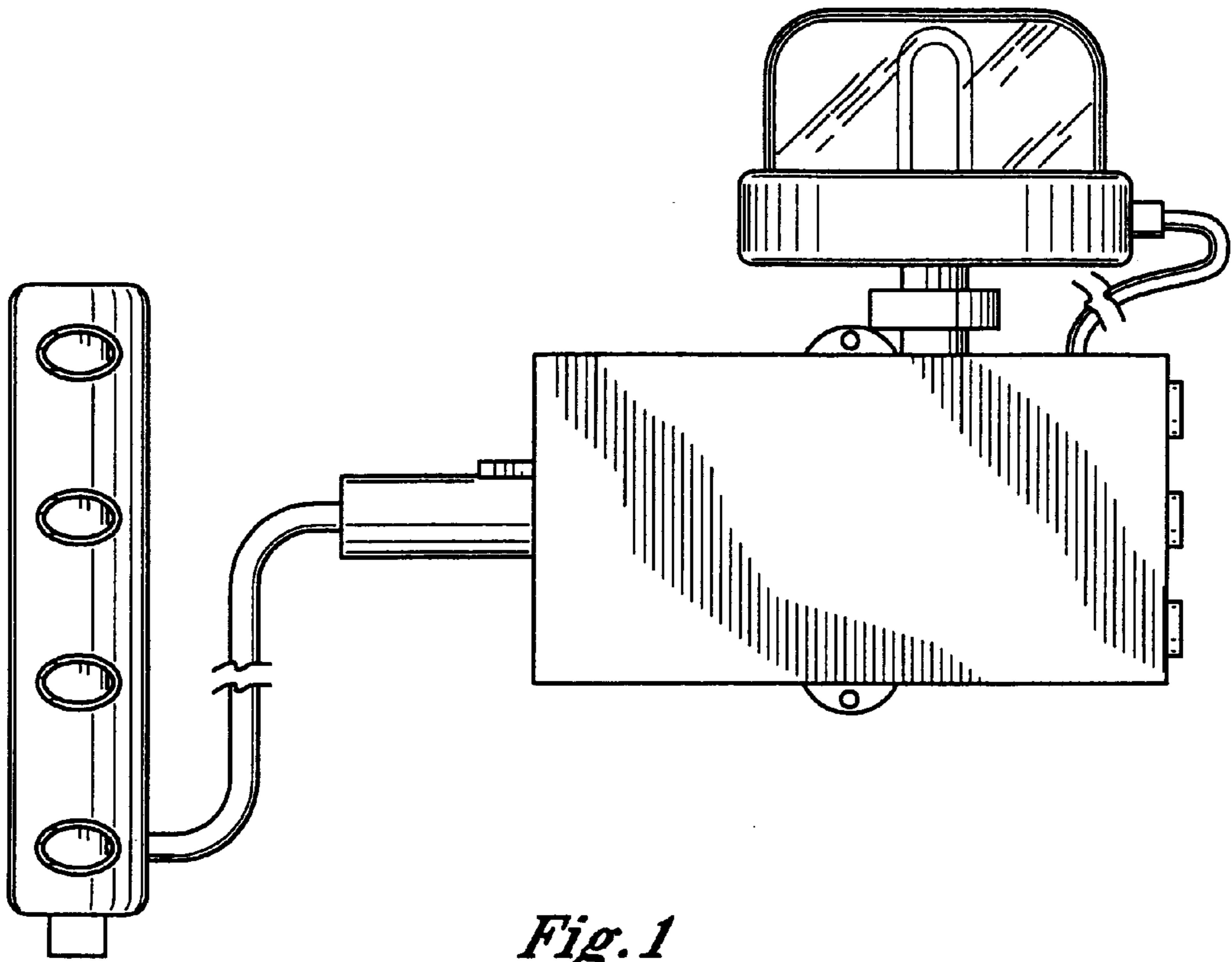
U.S. PATENT DOCUMENTS

D. 344,243	2/1994	Peraino et al.	D10/104
D. 345,116	3/1994	Cardinalli	D10/106
D. 361,731	8/1995	Stegar	D10/106
D. 377,618	1/1997	Ejarbrough	D10/104

FIG. 6 is a bottom plan view of the emergency siren receiver for controlling traffic lights of FIG. 1.

1 Claim, 3 Drawing Sheets





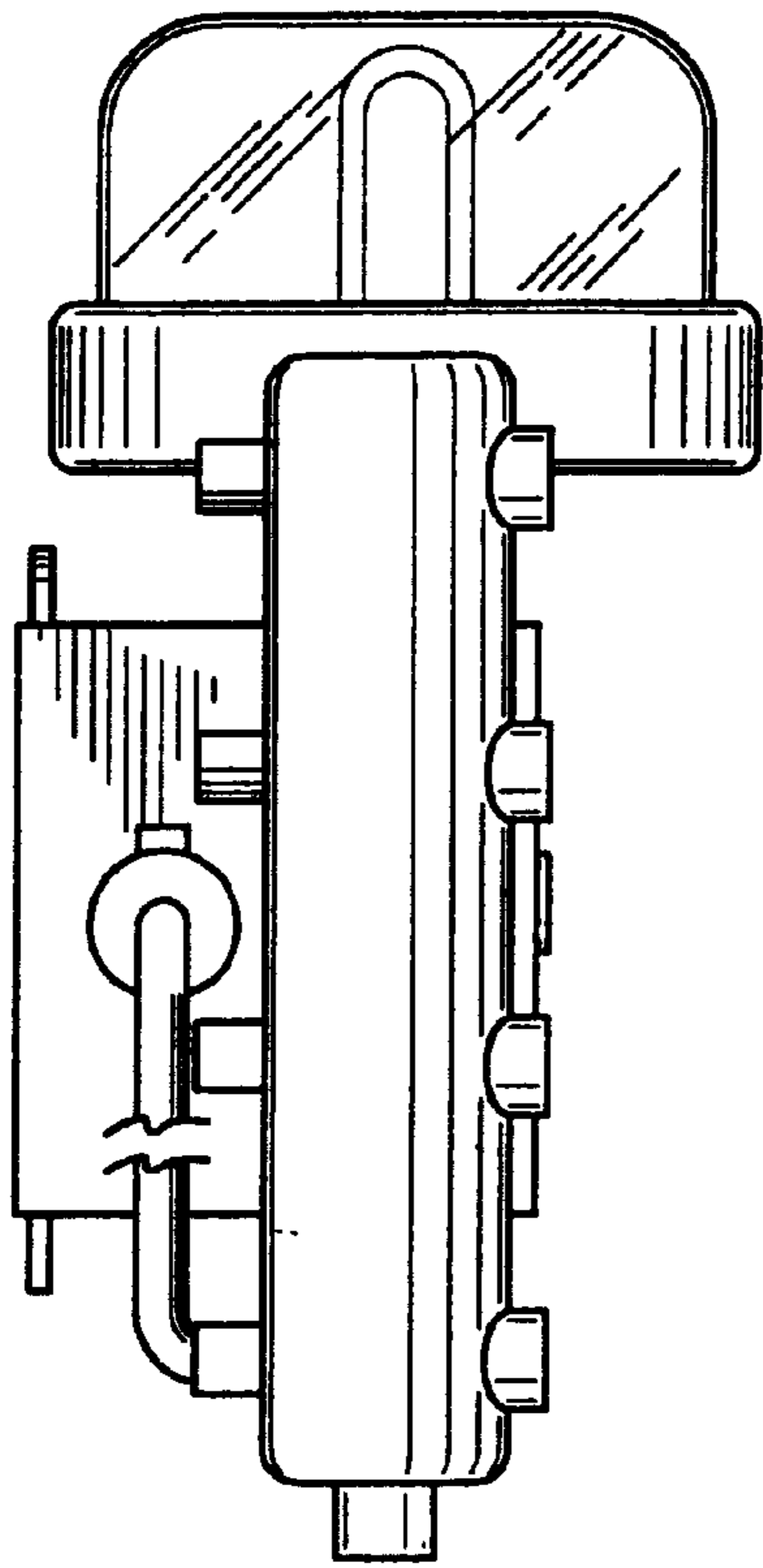


Fig. 3

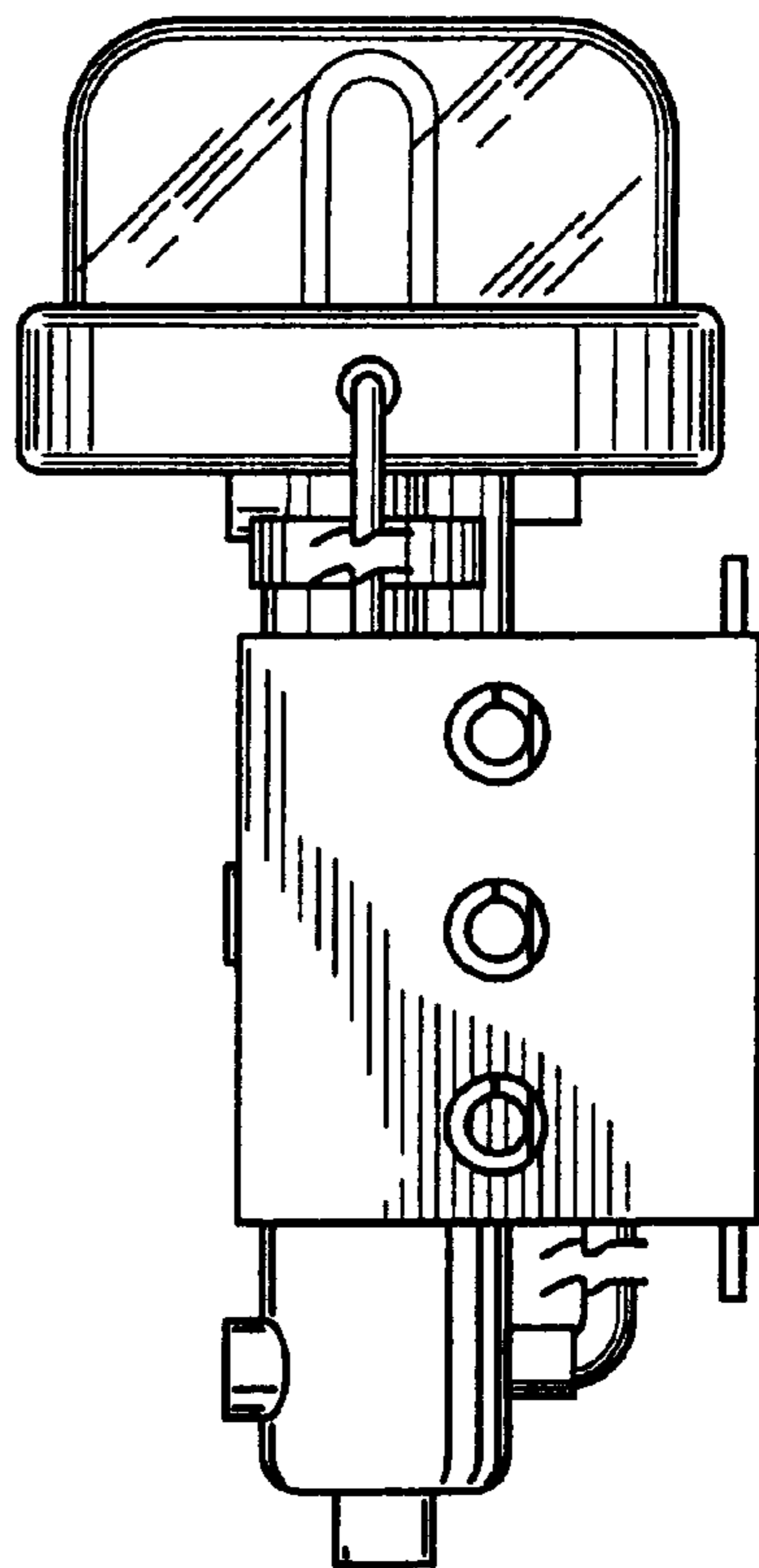


Fig. 4

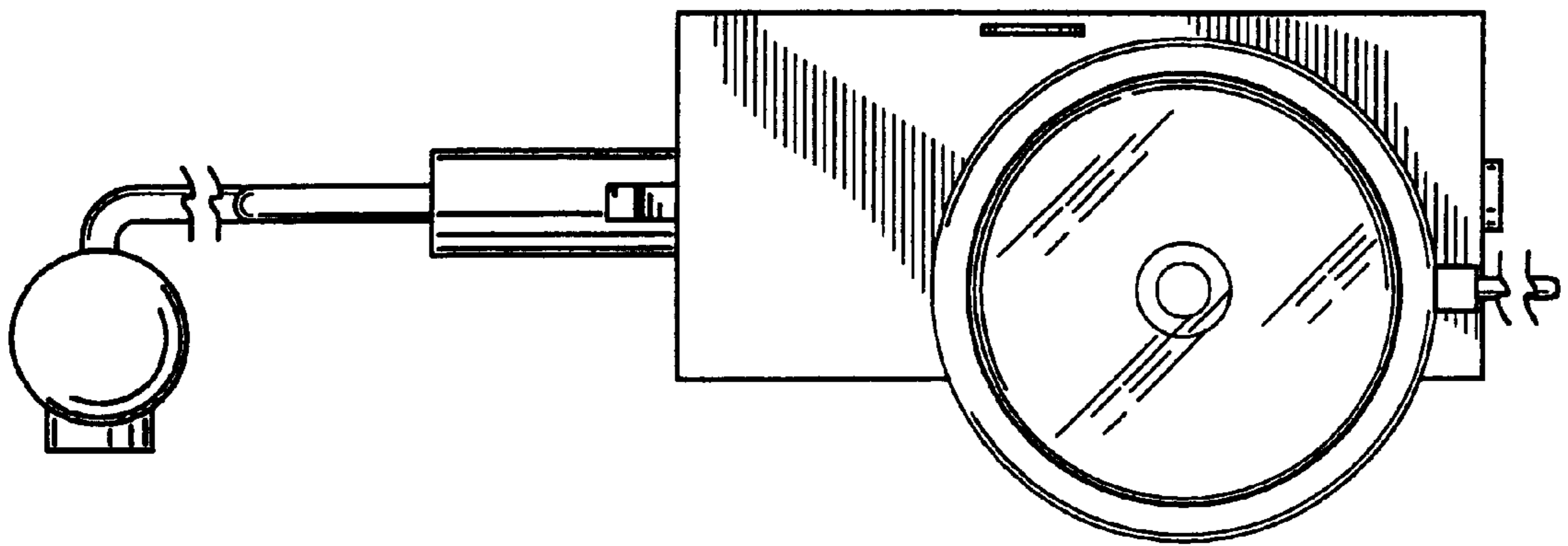


Fig. 5

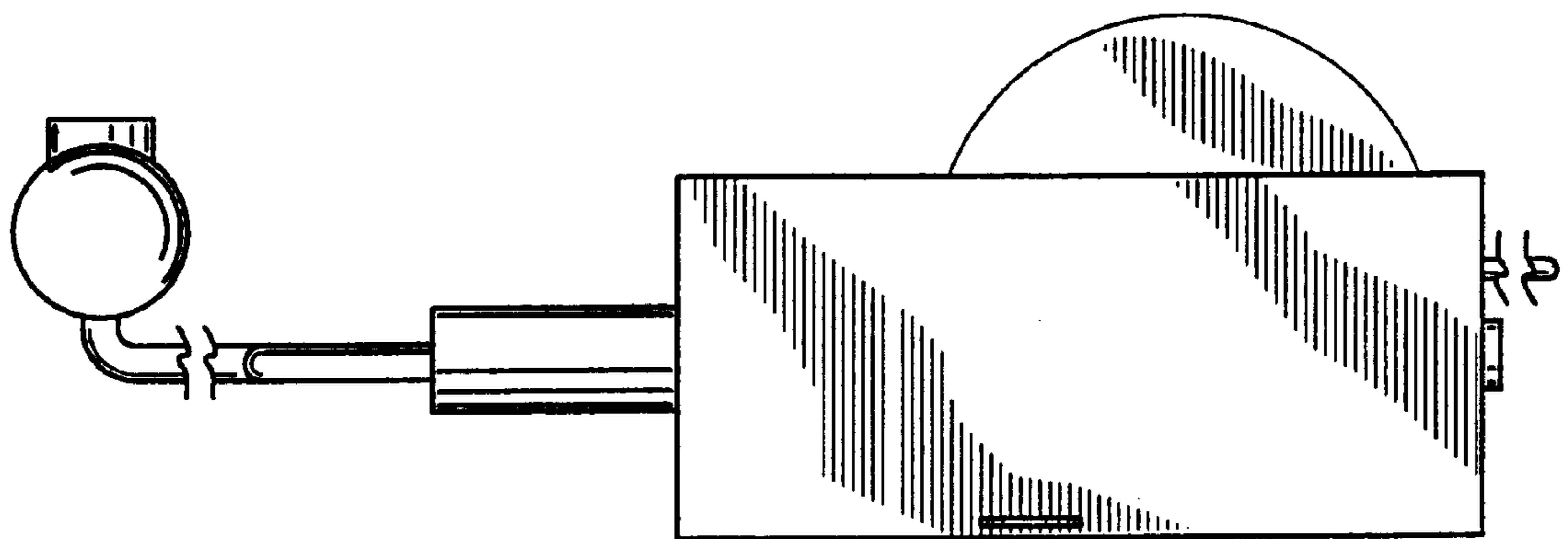


Fig. 6