



US00D430051S

United States Patent [19] Gilbreath

[11] **Patent Number: Des. 430,051**

[45] **Date of Patent: ** Aug. 29, 2000**

[54] **MONITOR HOUSING**

[75] Inventor: **Virgil F. Gilbreath**, Oklahoma City, Okla.

[73] Assignee: **Automatic Reading Device, L.L.C.**, Oklahoma City, Okla.

[**] Term: **14 Years**

[21] Appl. No.: **29/113,316**

[22] Filed: **Nov. 1, 1999**

[51] **LOC (7) Cl.** **10-04**

[52] **U.S. Cl.** **D10/103; D10/99**

[58] **Field of Search** **D10/99, 100, 103; 174/17; 324/146, 149, 156, 110, 115, 119**

[56] **References Cited**

U.S. PATENT DOCUMENTS

- D. 192,699 5/1962 Charles D10/99
- D. 193,023 6/1962 Whittman D10/99

- D. 332,416 1/1993 Craig et al. D10/99
- D. 344,032 2/1994 Polizzotto D10/99
- D. 358,560 5/1995 George D10/103
- D. 420,300 2/2000 George D10/99
- 5,315,236 5/1994 Lee D10/99 X

Primary Examiner—Antoine Duval Davis
Attorney, Agent, or Firm—Dunlap, Coddling & Rogers, P.C.

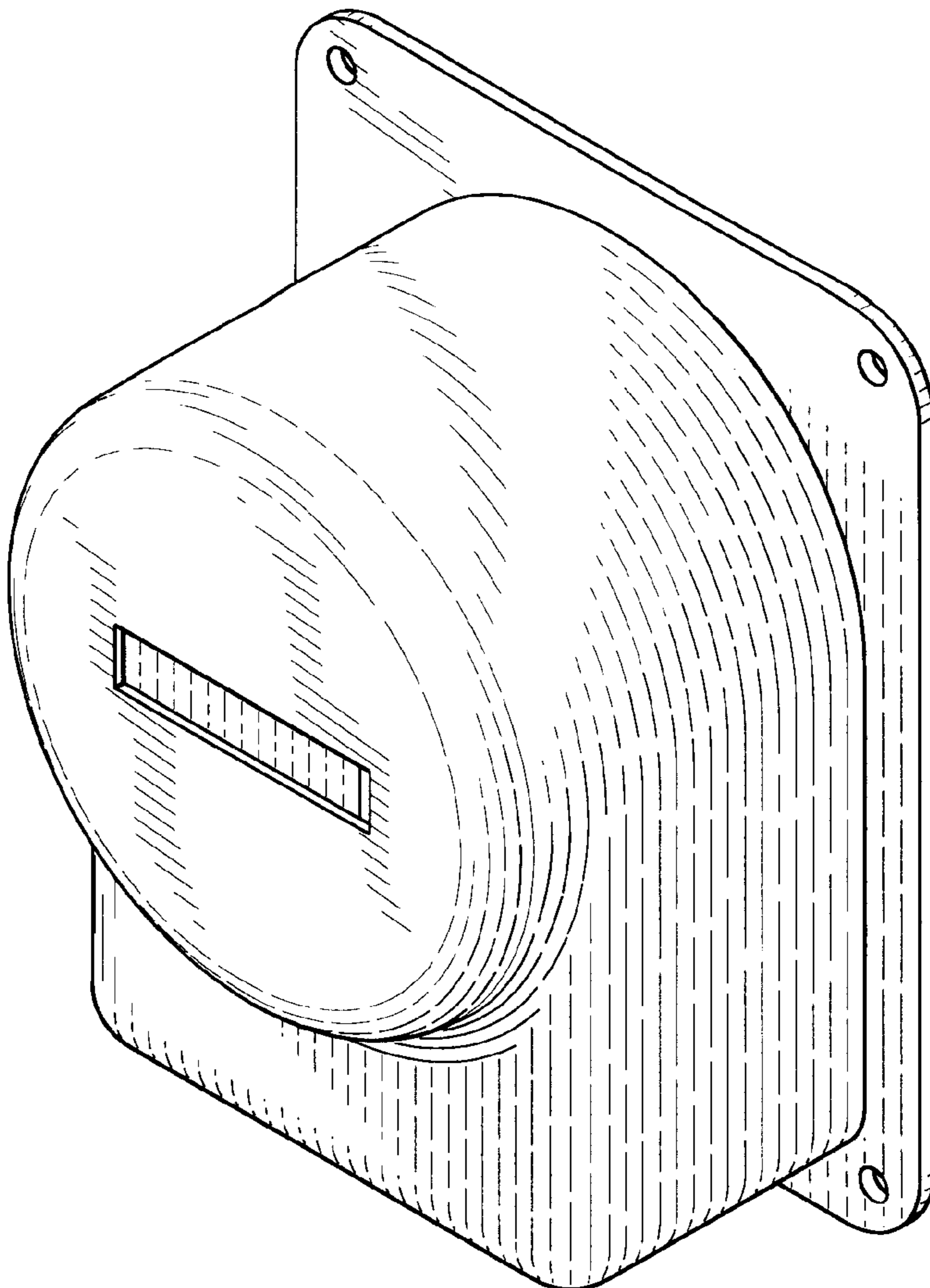
[57] **CLAIM**

The ornamental design for a monitor housing, as shown and described.

DESCRIPTION

FIG. 1 is a perspective view of a monitor housing showing my new design;
FIG. 2 is a front elevational view thereof;
FIG. 3 is a rear elevational view thereof;
FIG. 4 is an elevational view of one side thereof;
FIG. 5 is an elevational view of an opposite side thereof;
FIG. 6 is a top plan view thereof; and,
FIG. 7 is a bottom plan view thereof.

1 Claim, 2 Drawing Sheets



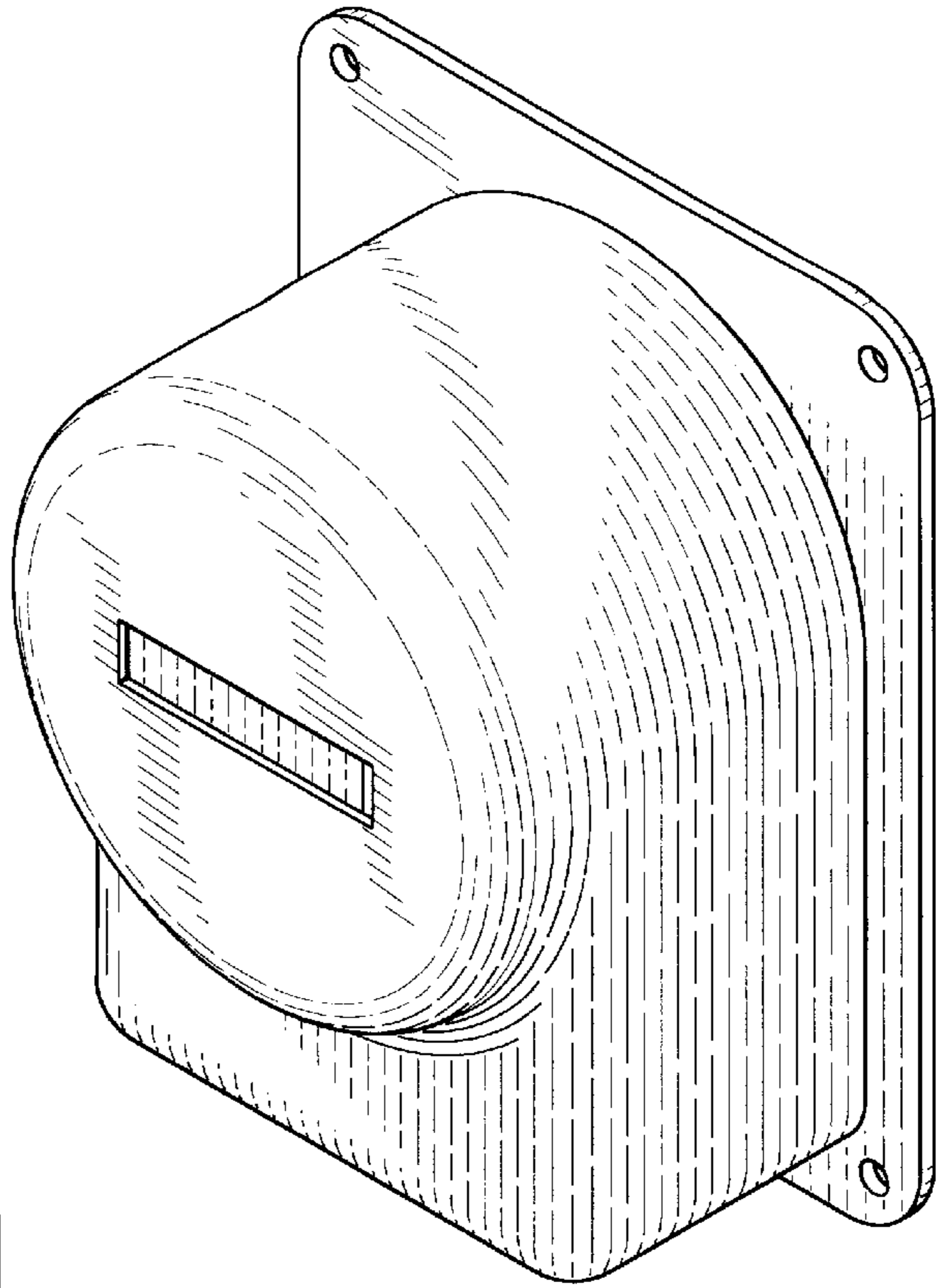


FIG. 1

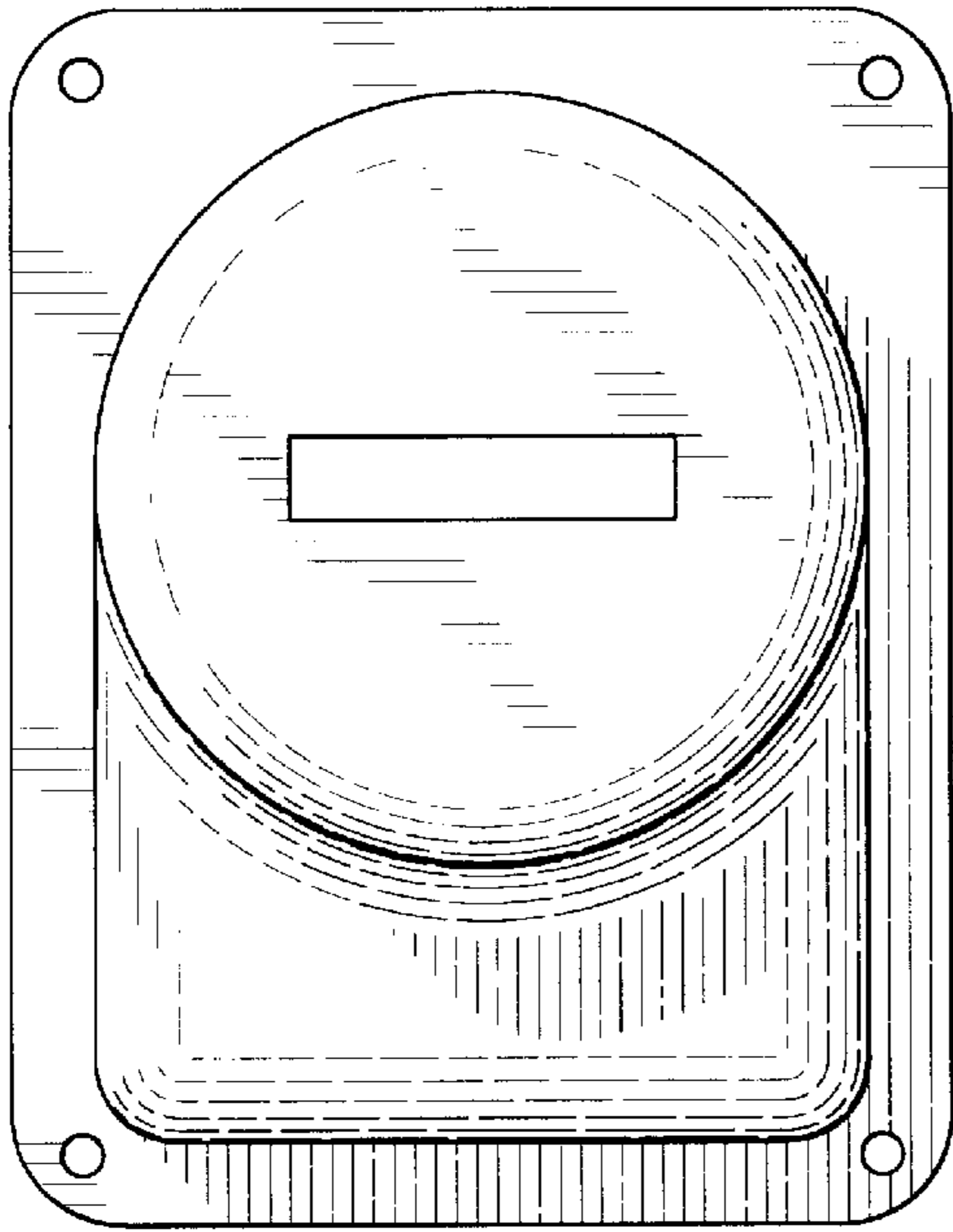


FIG. 2

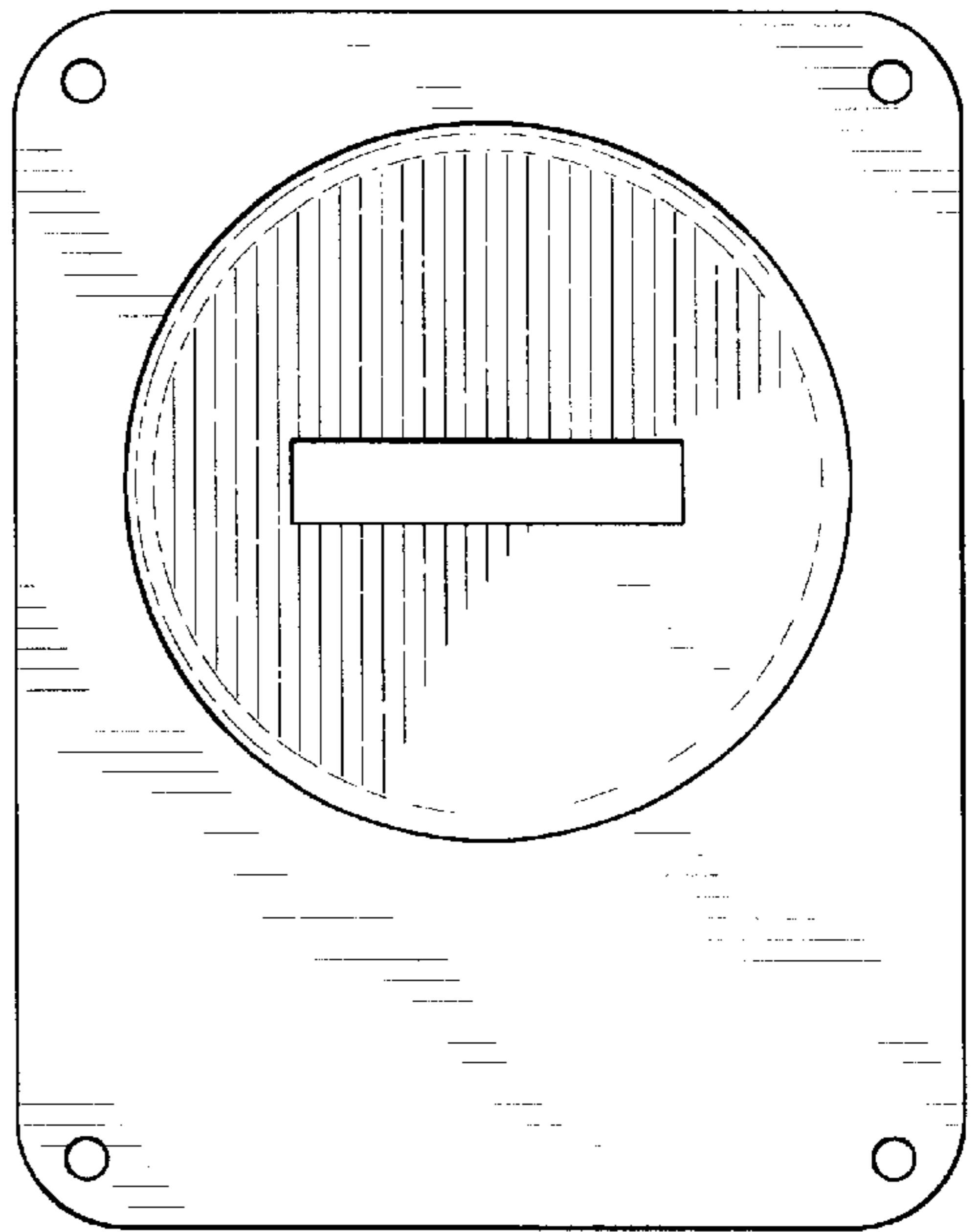


FIG. 3

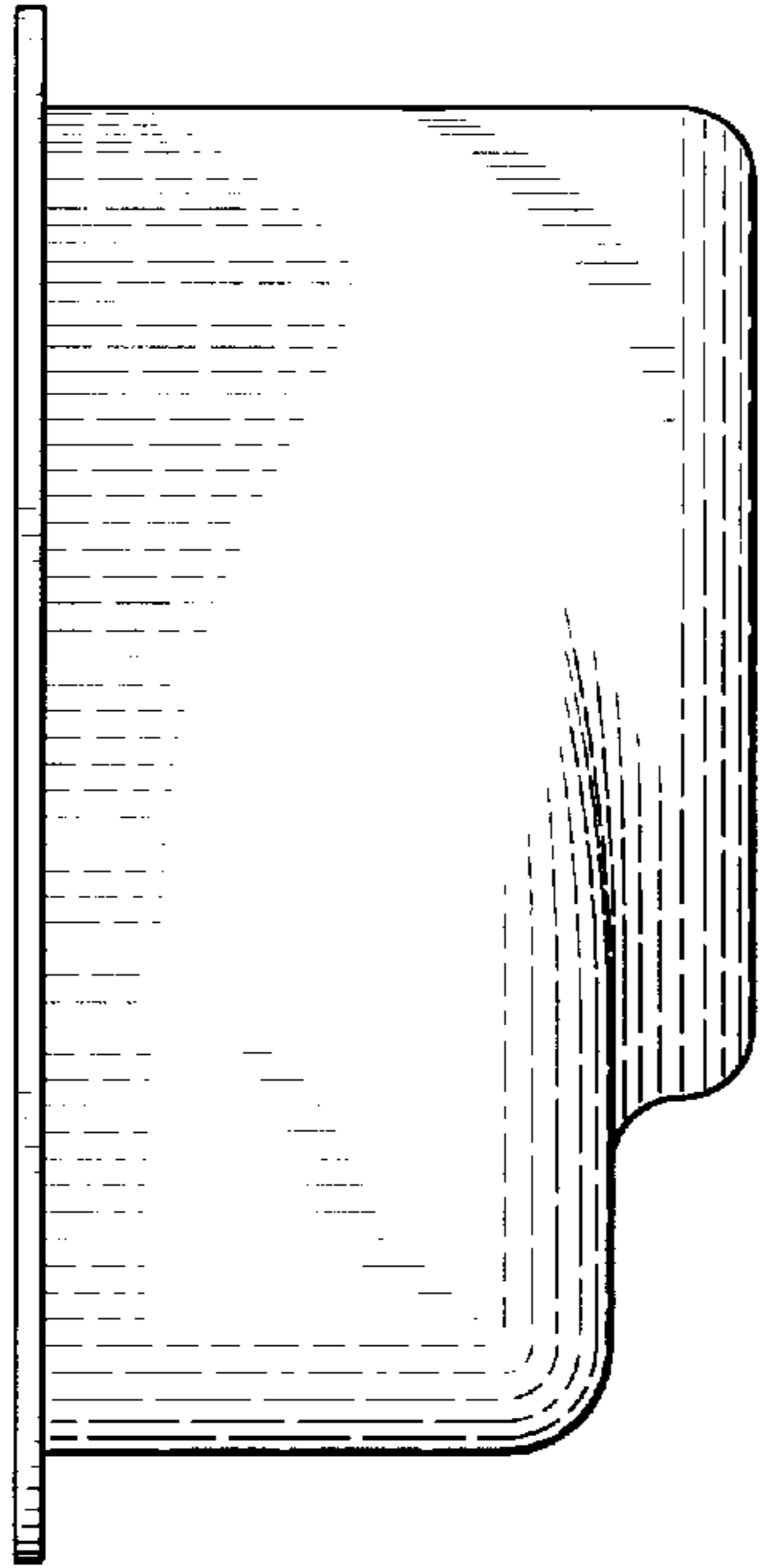


FIG. 4

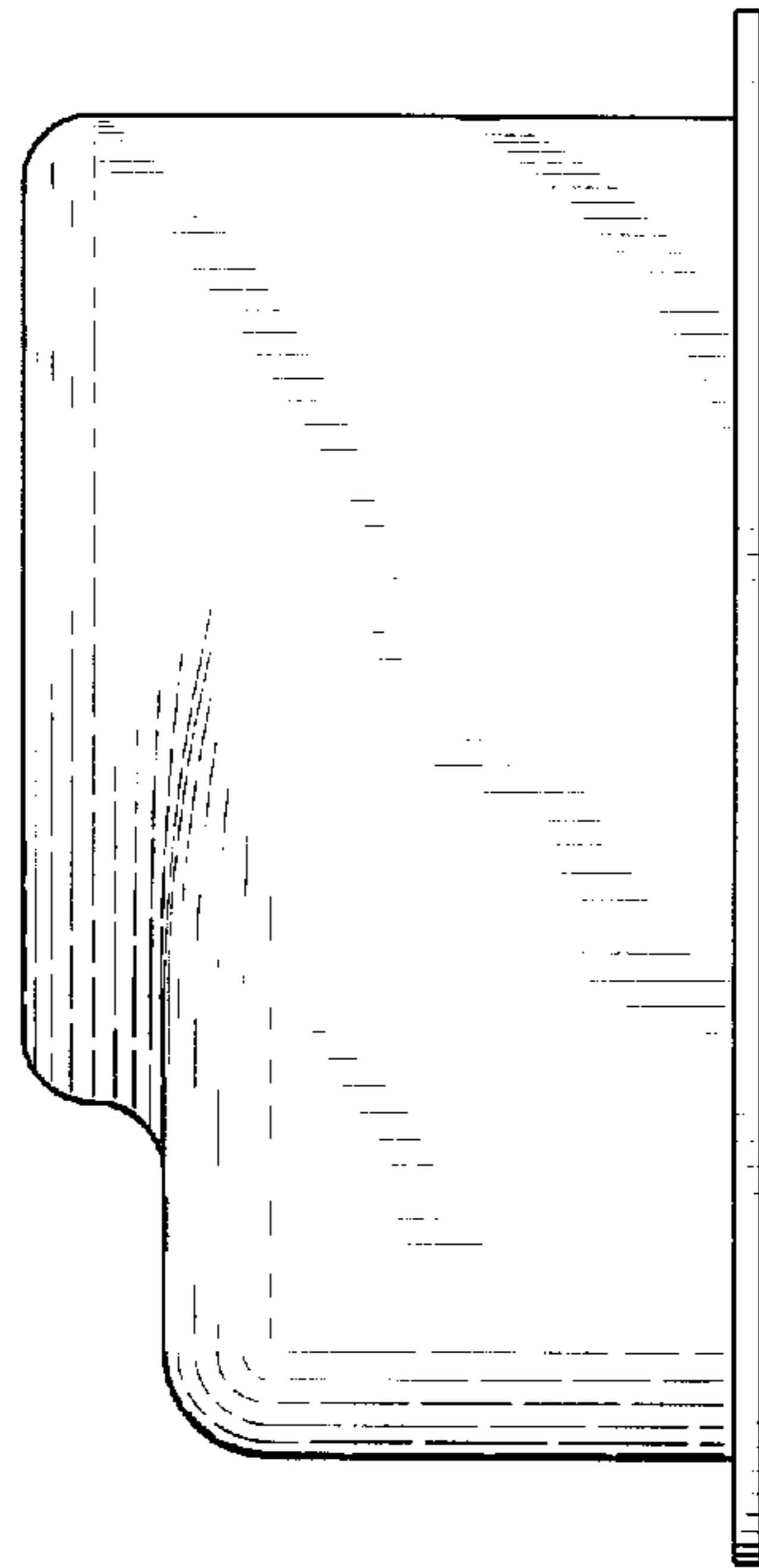


FIG. 5

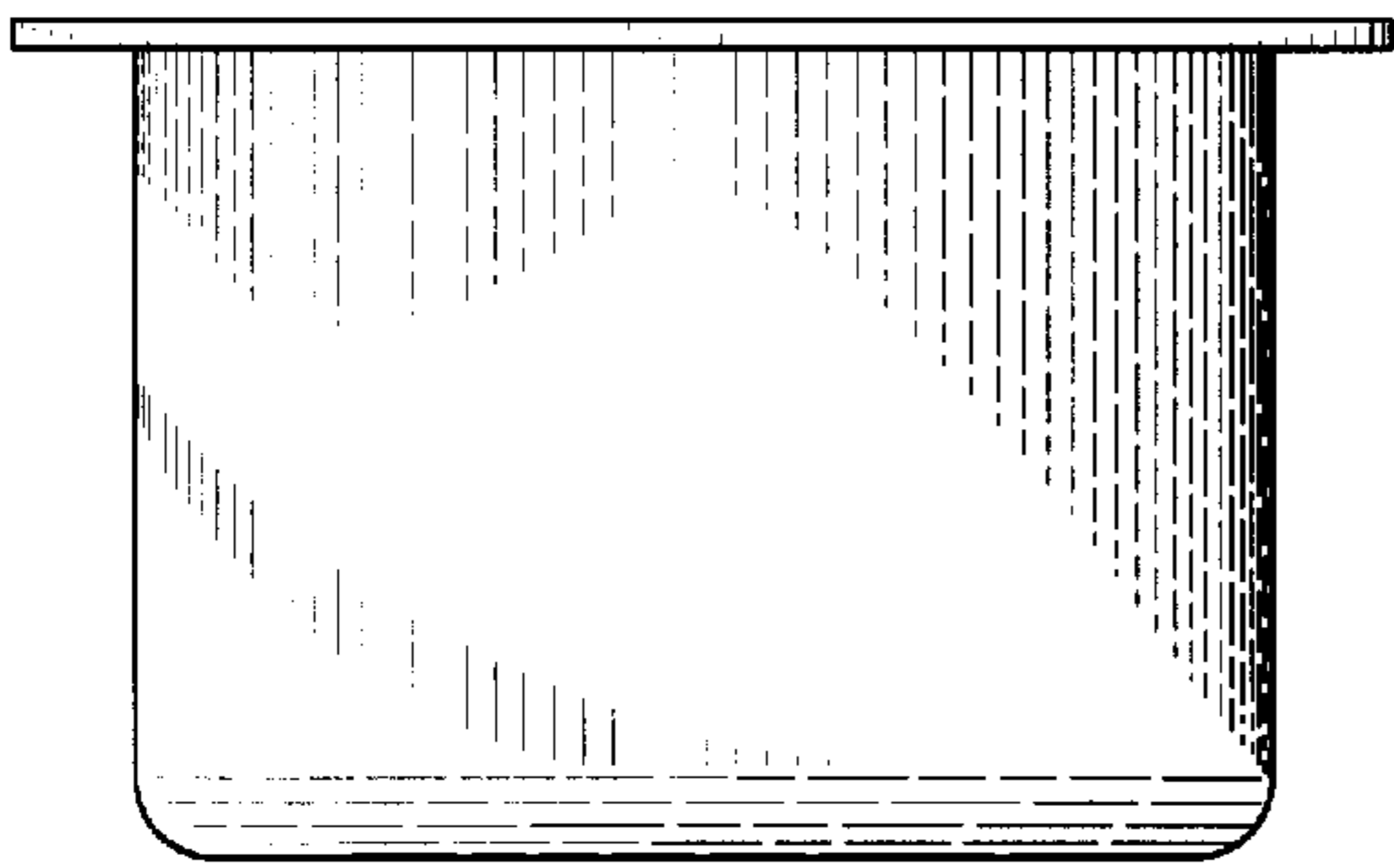


FIG. 6

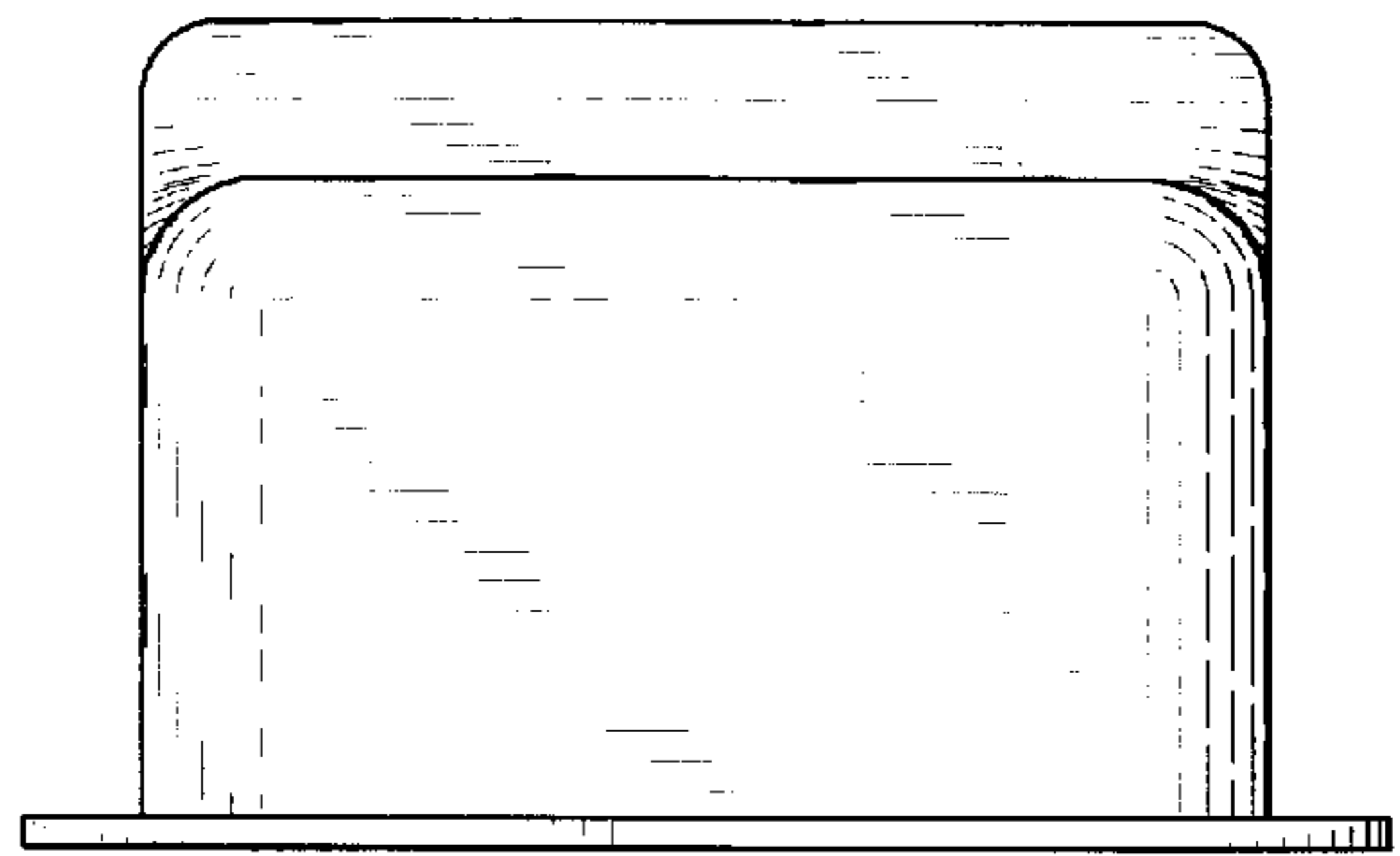


FIG. 7