



US00D430050S

United States Patent [19]
Housey et al.

[11] **Patent Number: Des. 430,050**

[45] **Date of Patent: ** Aug. 29, 2000**

[54] **LIQUID LEVEL GAUGE**

[75] Inventors: **Randal L. Housey**, Austin; **Brian D. Stobaugh**, Roundrock; **Brett A. Bickerton**, Austin, all of Tex.

[73] Assignee: **Rochester Gauges, Inc.**, Dallas, Tex.

[**] Term: **14 Years**

[21] Appl. No.: **29/115,056**

[22] Filed: **Dec. 7, 1999**

[51] **LOC (7) Cl.** **10-04**

[52] **U.S. Cl.** **D10/101**

[58] **Field of Search** D10/96, 101; 73/290 R, 73/305, 313, 317, 318; 116/204, 284, 56-62.4, 227, 264, 266, 271, DIG. 71, DIG. 20

[56] **References Cited**

U.S. PATENT DOCUMENTS

D. 313,949	1/1991	Fekete	D10/101
D. 397,630	9/1998	Clifton	D10/101
D. 413,826	9/1999	Housey	D10/101
2,697,350	12/1954	Sorber	73/317
2,992,560	7/1961	Morgan et al.	73/317
3,688,795	9/1972	Taylor	137/558
4,911,011	3/1990	Fekete et al.	73/313
4,987,400	1/1991	Fekete	338/164

OTHER PUBLICATIONS

Industrial Liquid Level Gauges (Brochure), Rochester Gauges, Inc., Aug. 1993, 12 pages.
Rochester Gauges, Inc., Magnetic Liquid-Level Gauges for LP-Gas Service, 7300 Series, Technical Data Sheet, Undated, 2 pages.

Primary Examiner—Antoine Duval Davis
Attorney, Agent, or Firm—Sidley & Austin

[57] **CLAIM**

The ornamental design for a liquid level gauge, as shown and described.

DESCRIPTION

FIG. 1 is a perspective view of a liquid level gauge showing a first embodiment of our new design;

FIG. 2 is a left side view thereof;

FIG. 3 is a right side view thereof;

FIG. 4 is a back view thereof;

FIG. 5 is a front view thereof;

FIG. 6 is a top view thereof;

FIG. 7 is a bottom view thereof;

FIG. 8 is a perspective view of a liquid level gauge showing a second embodiment of our new design;

FIG. 9 is a left side view of FIG. 8;

FIG. 10 is a right side view of FIG. 8;

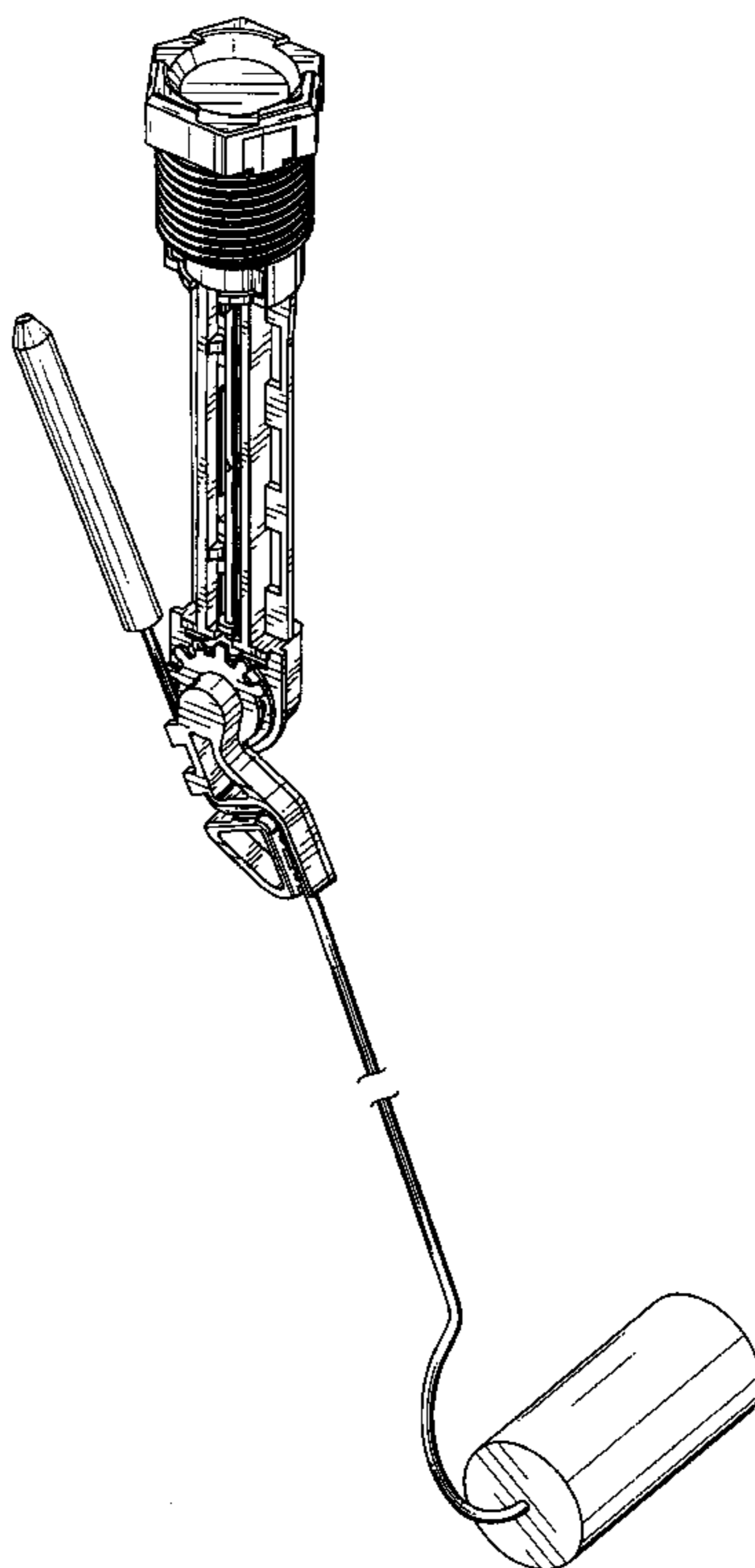
FIG. 11 is a back view of FIG. 8;

FIG. 12 is a front view of FIG. 8;

FIG. 13 is a top view of FIG. 8; and,

FIG. 14 is a bottom view of FIG. 8.

1 Claim, 12 Drawing Sheets



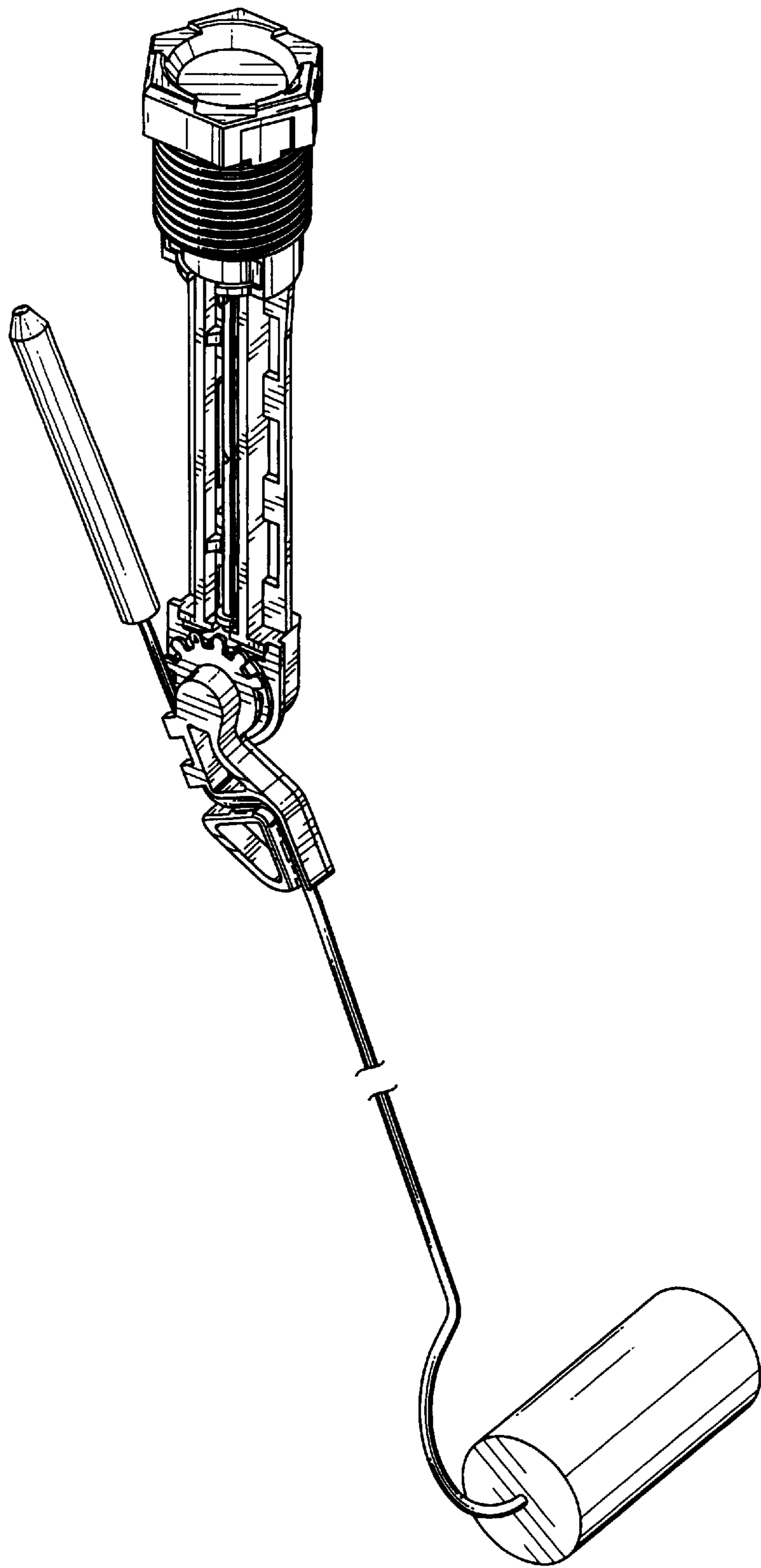


FIG. 1

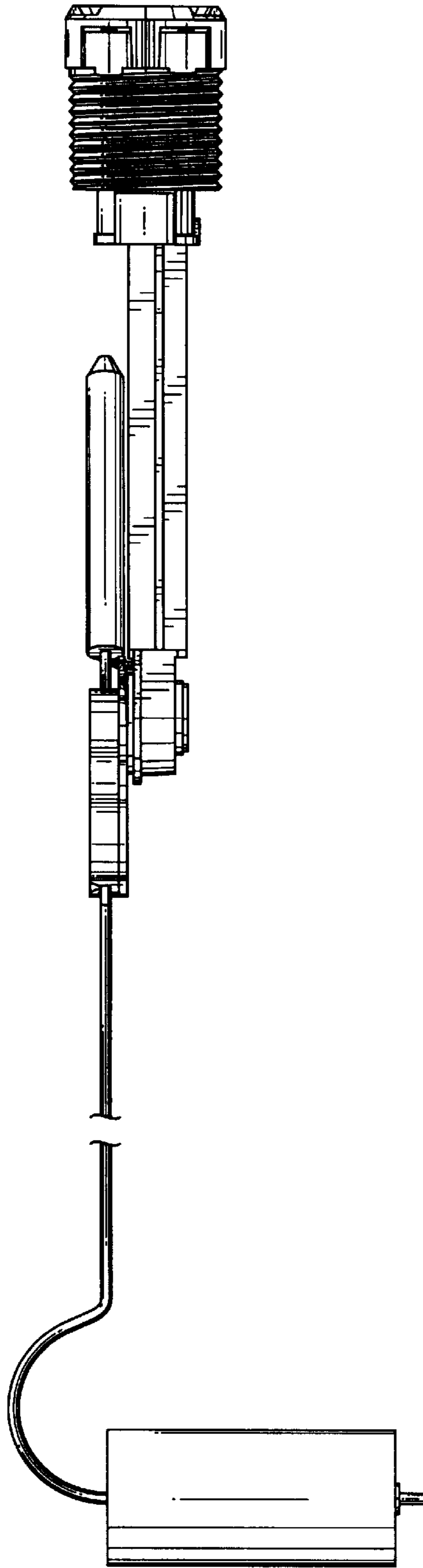


FIG. 2

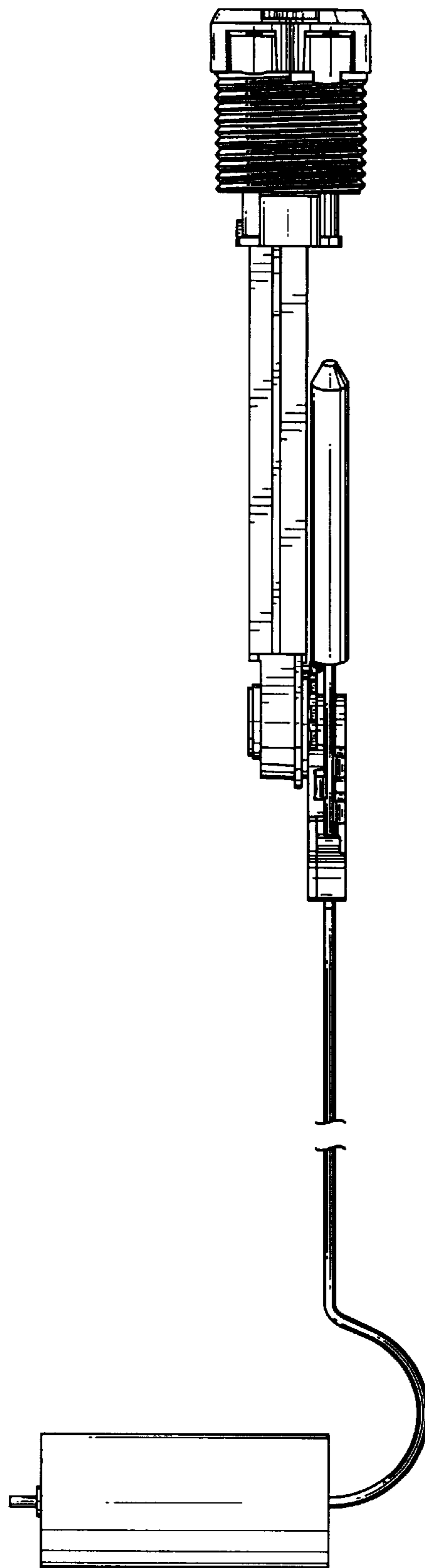


FIG. 3

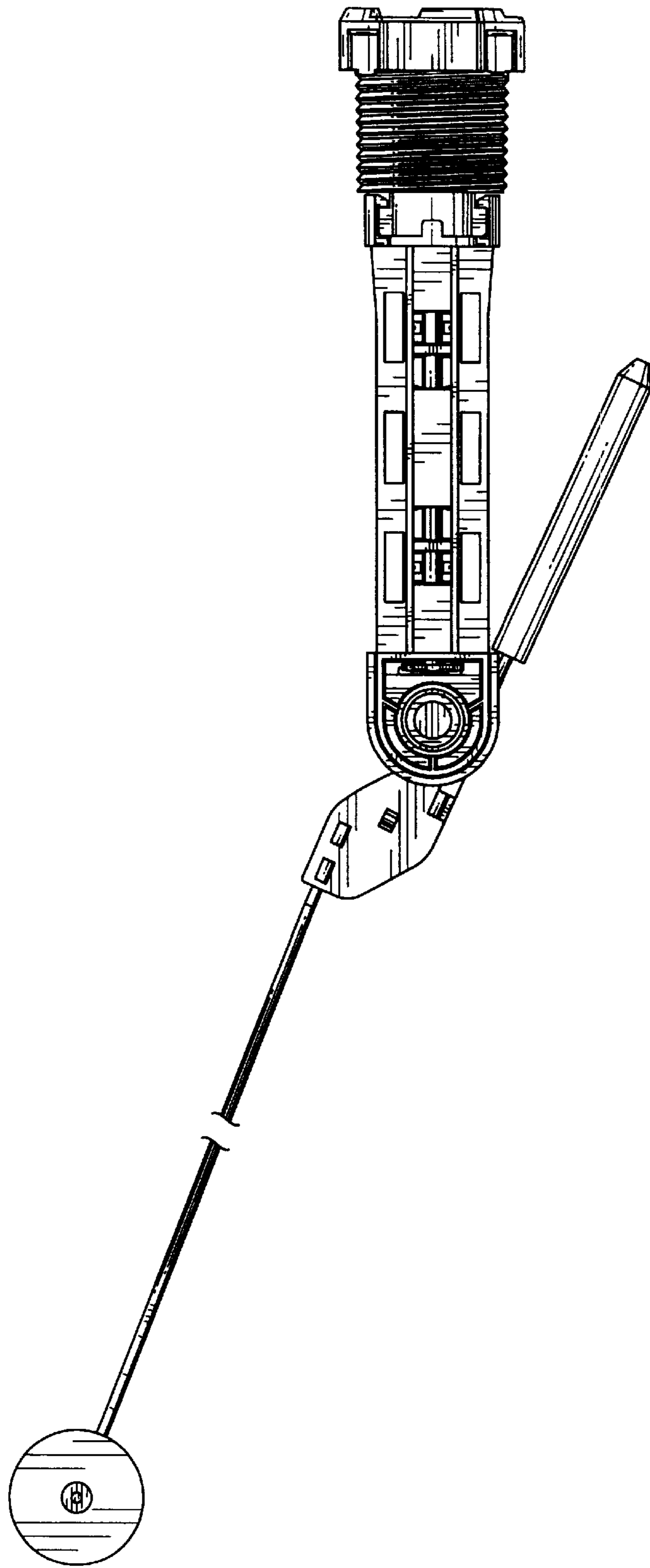


FIG. 4

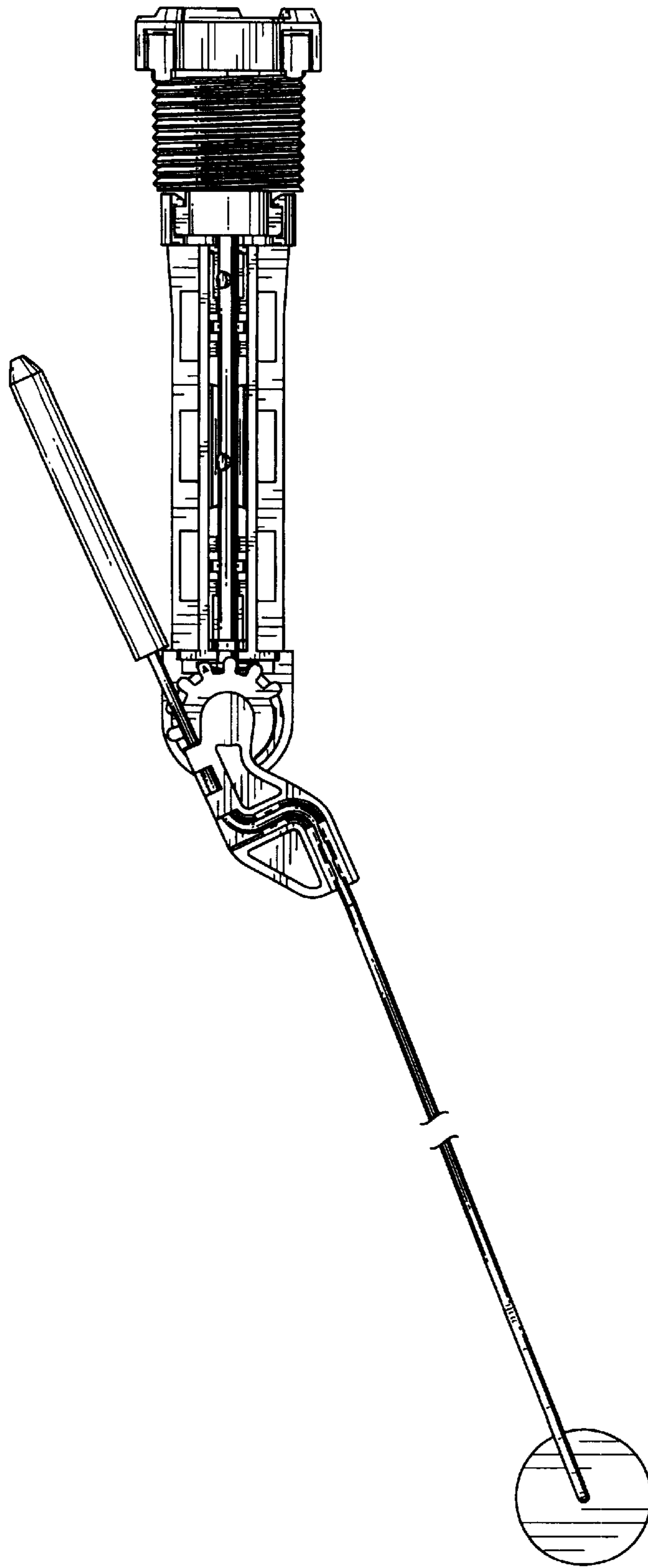


FIG. 5

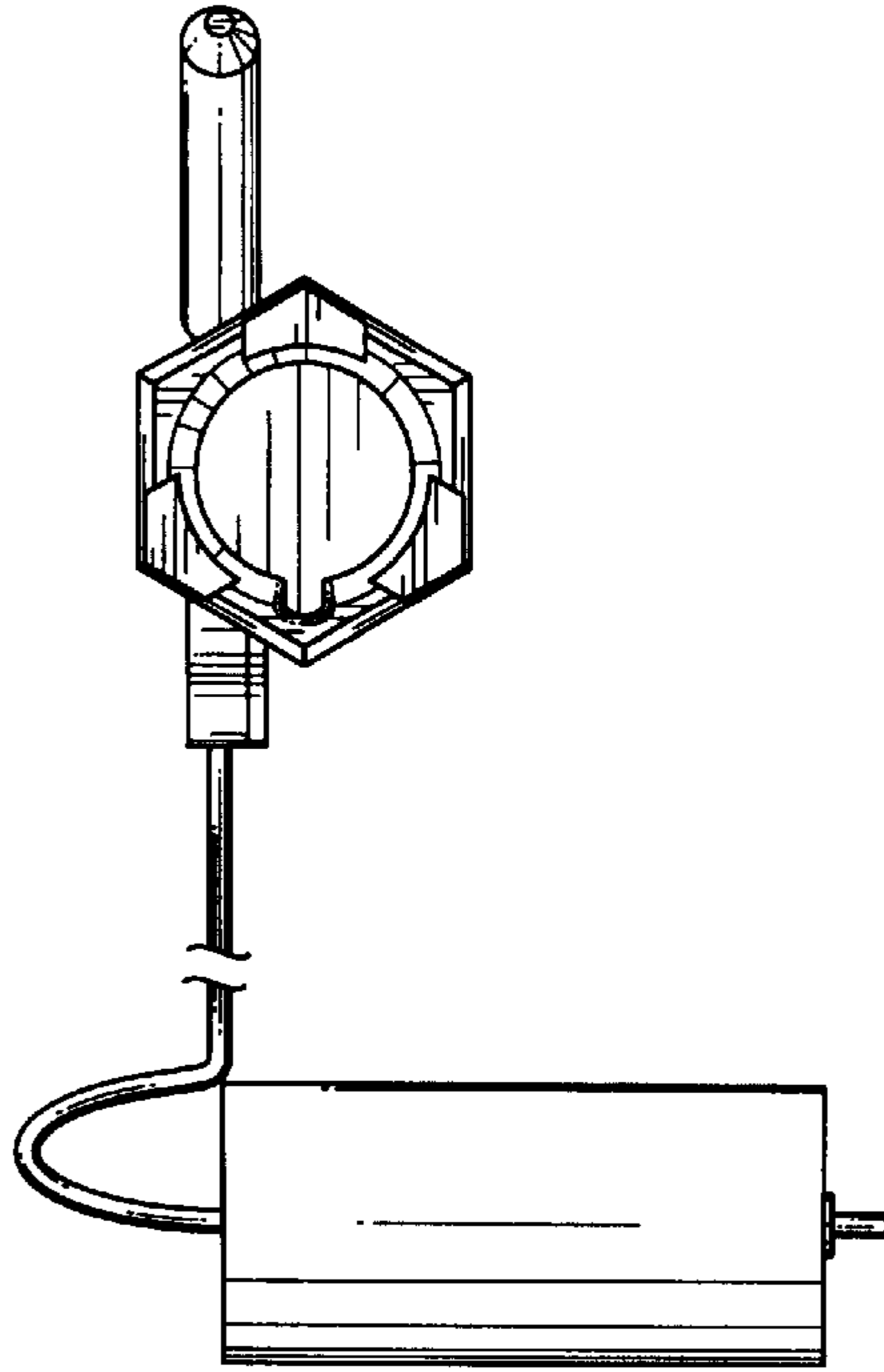


FIG. 6

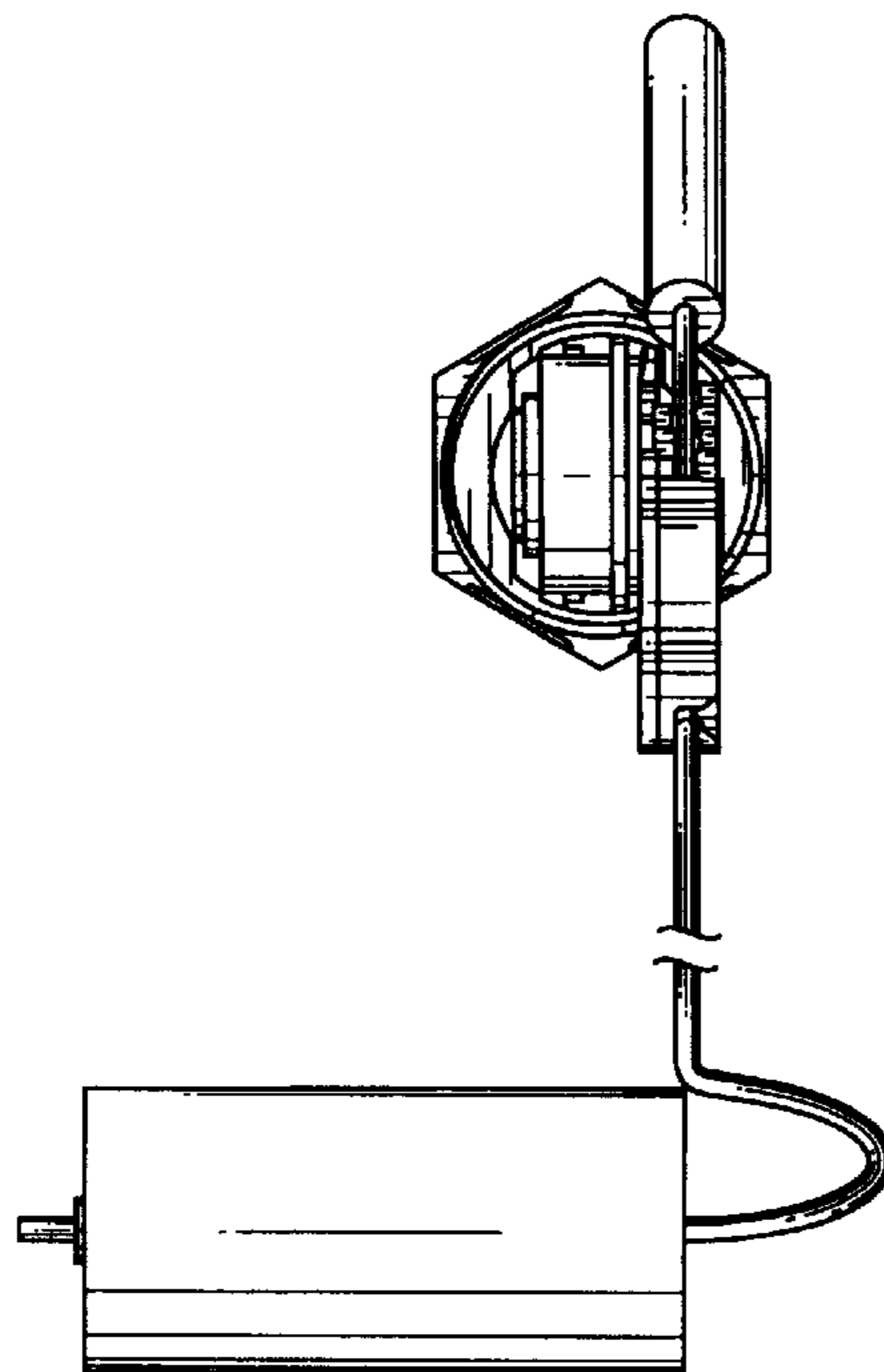


FIG. 7

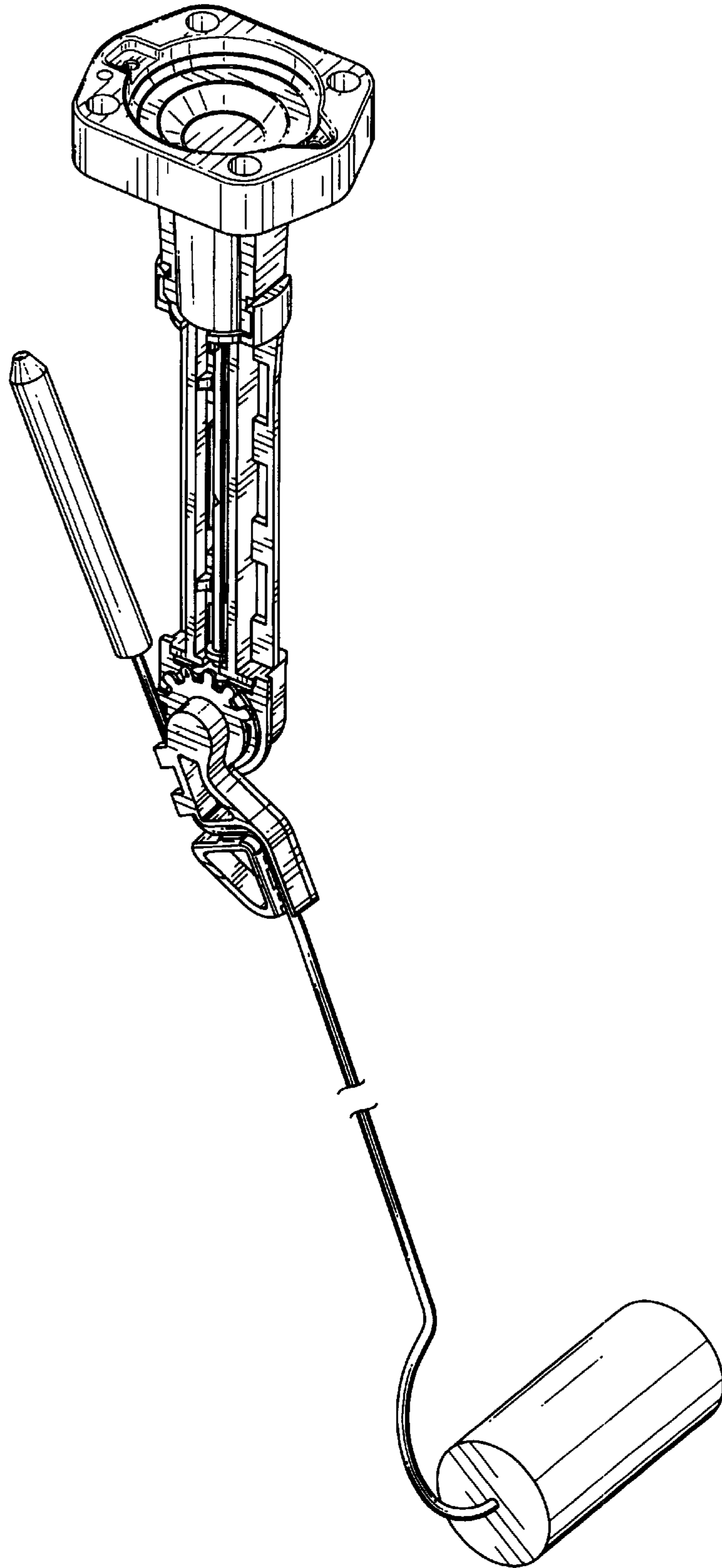


FIG. 8

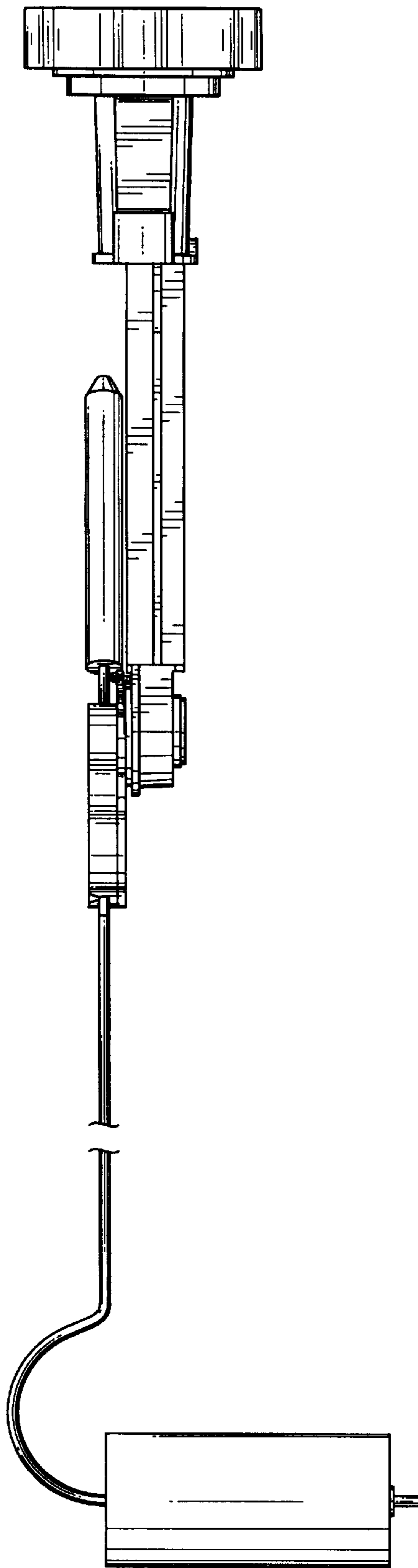


FIG. 9

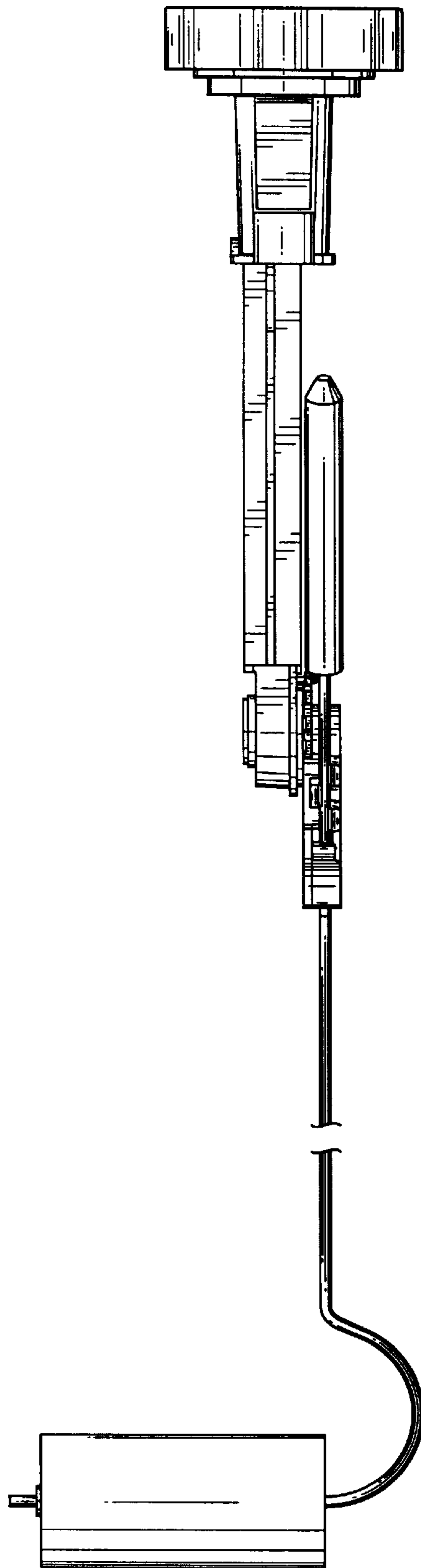


FIG. 10

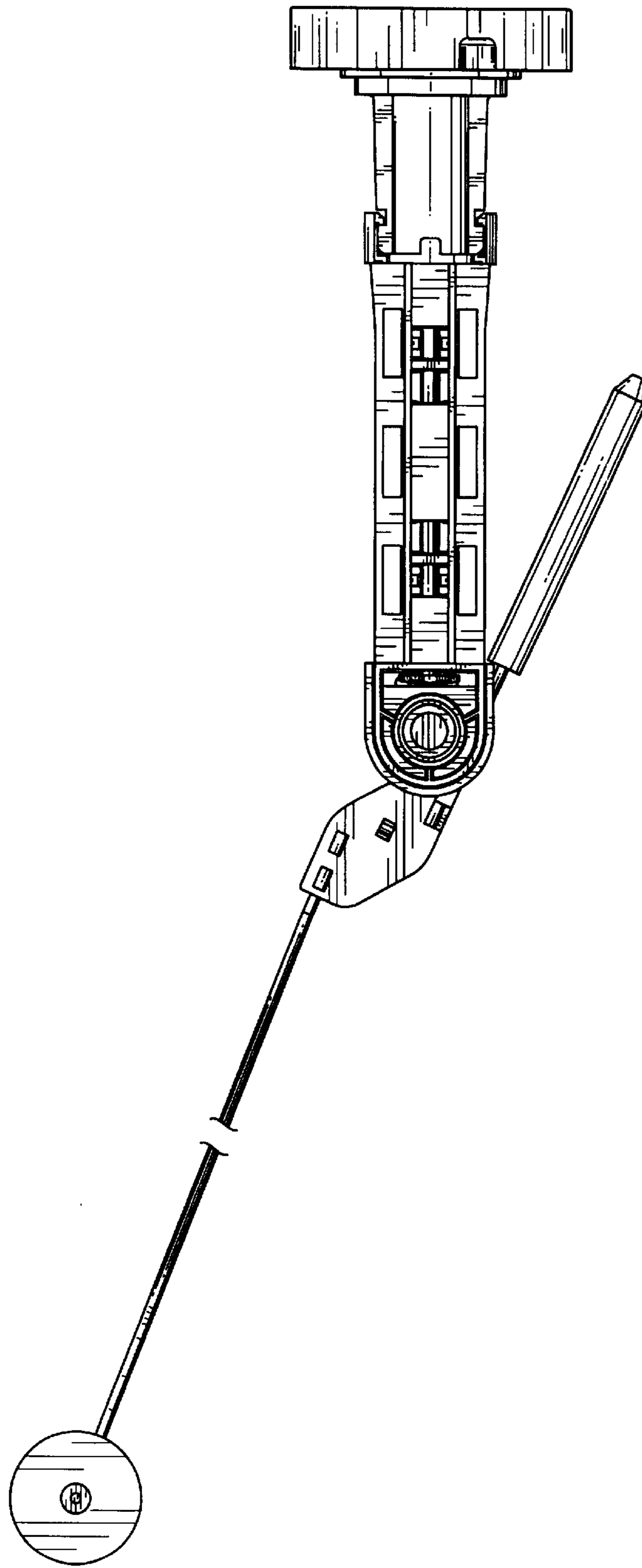


FIG. 11

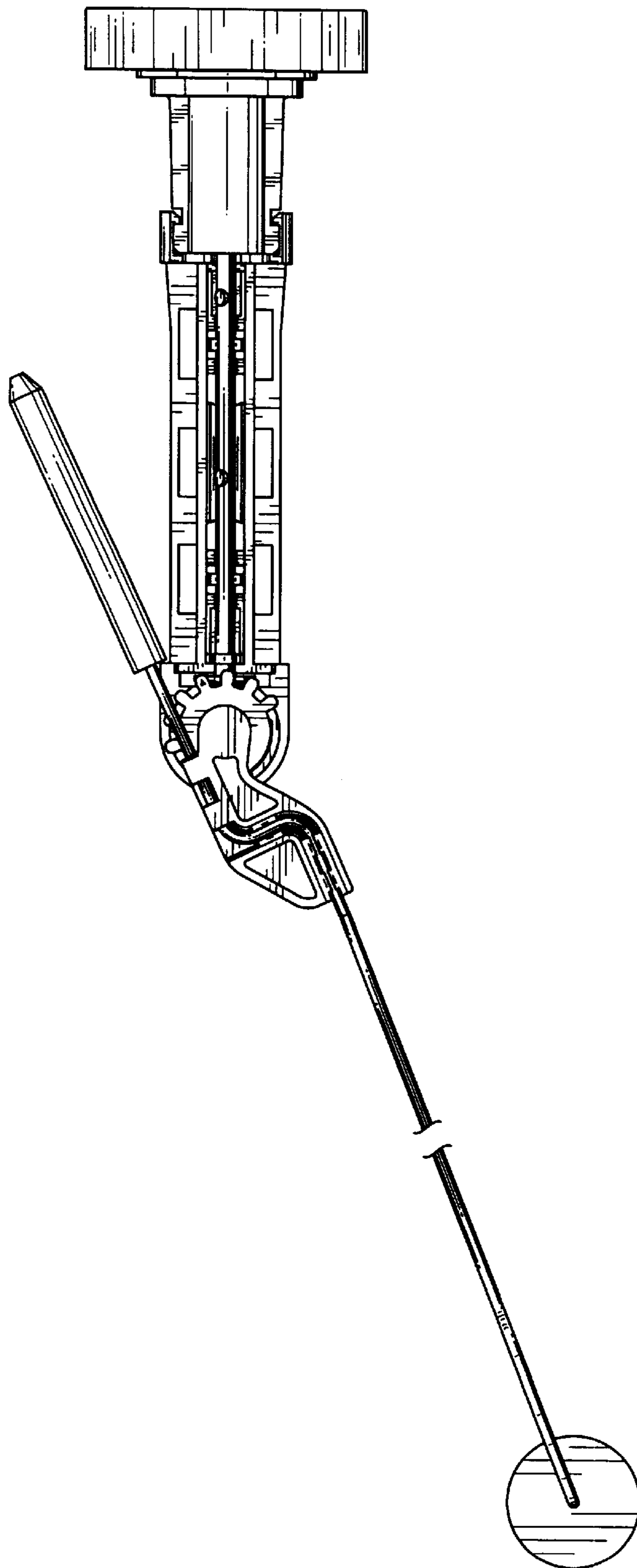


FIG. 12

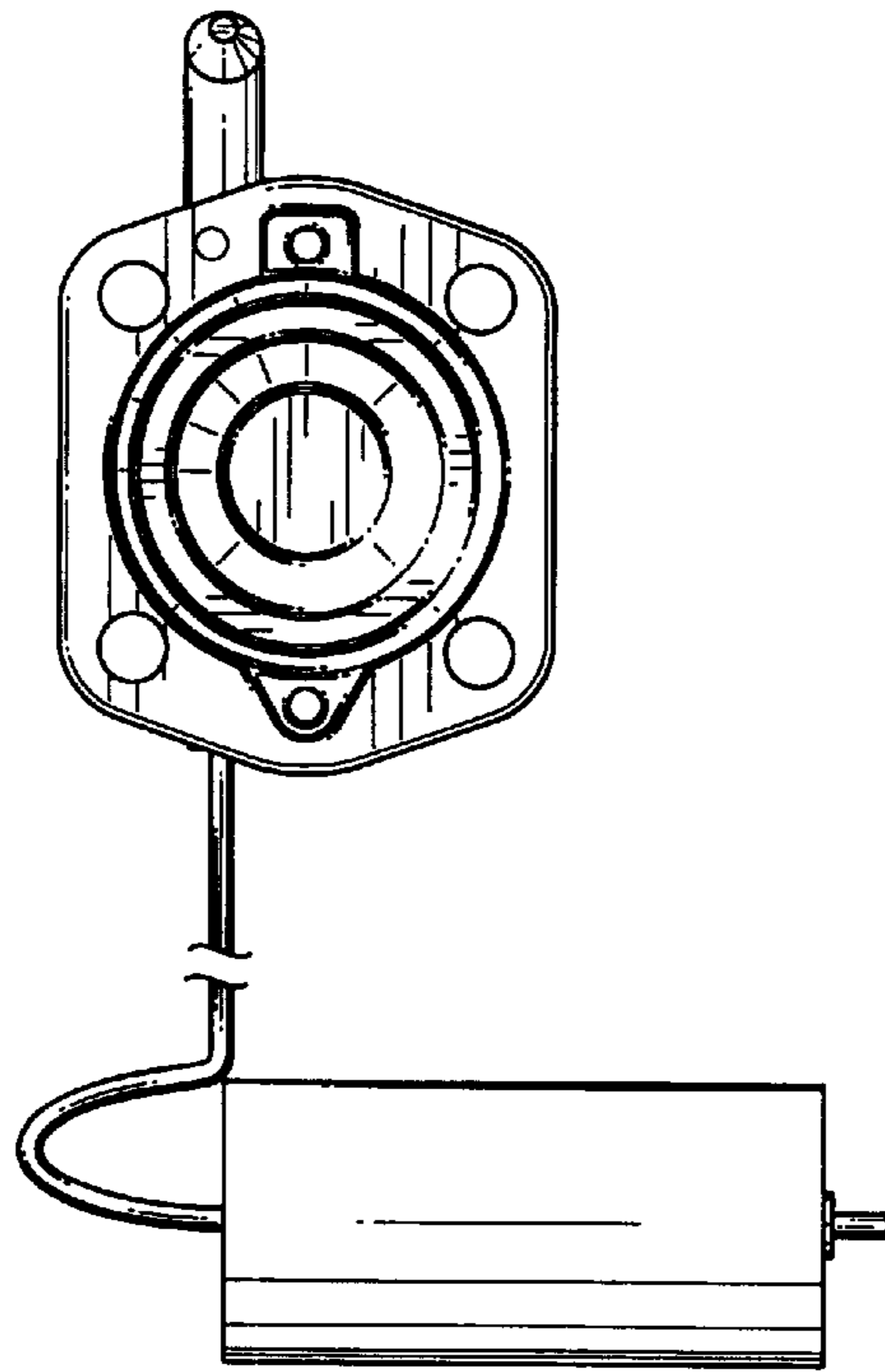


FIG. 13

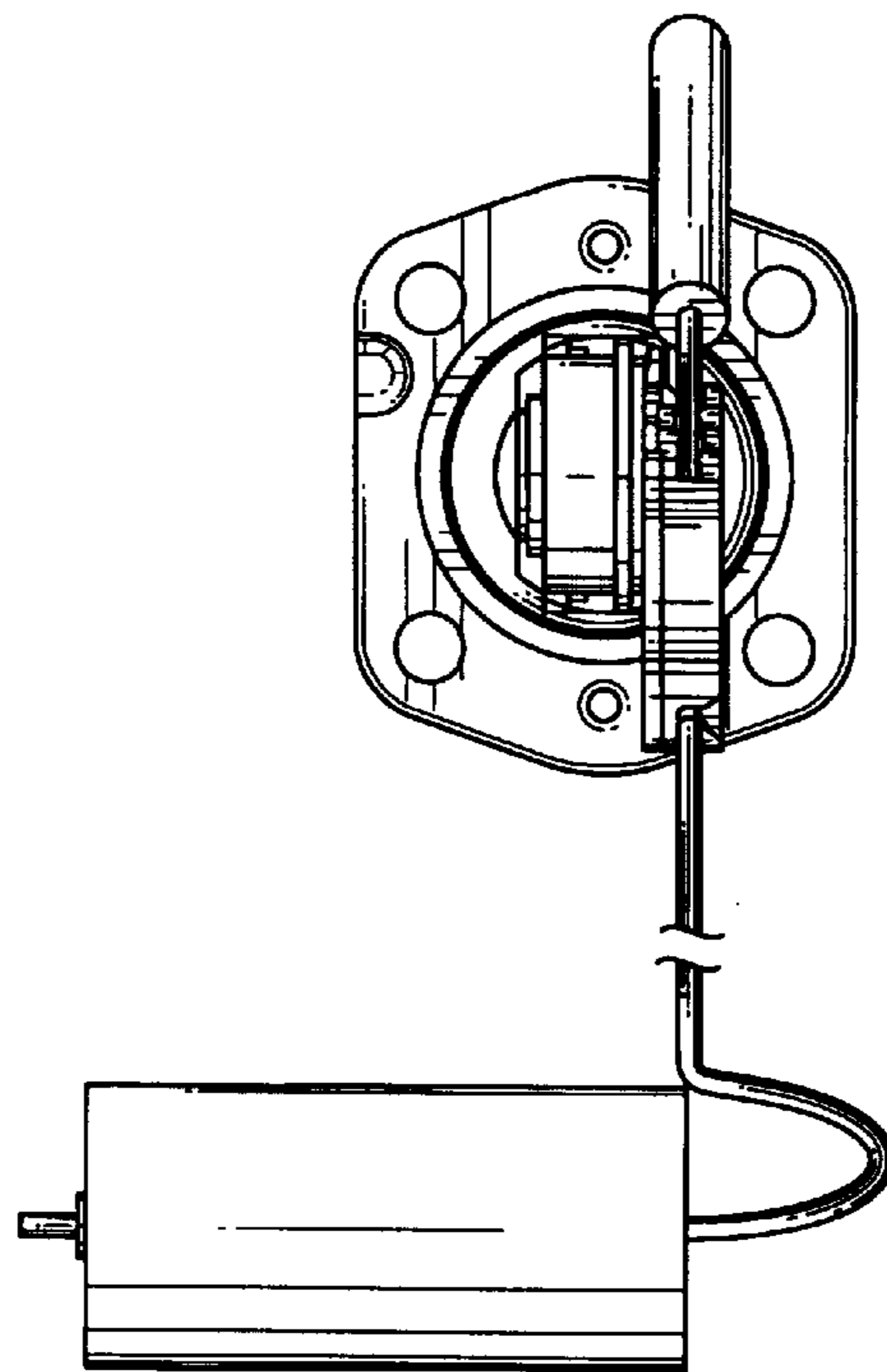


FIG. 14