



US00D430049S

United States Patent [19]

[11] **Patent Number: Des. 430,049**

Flick et al.

[45] **Date of Patent: ** Aug. 29, 2000**

[54] **PUCK CONTAINING ELECTRONIC COMPONENTS FOR A CORIOLIS FLOWMETER**

Primary Examiner—Antoine Duval Davis
Attorney, Agent, or Firm—Duft, Graziano & Forest, P.C.

[75] Inventors: **Edward Leroy Flick**, Denver; **Jeefrey Allen Gettle**, Federal Heights, both of Colo.

[57] **CLAIM**

The ornamental design for a puck containing electronic components for a coriolis flowmeter, as shown and described.

[73] Assignee: **Micro Motion, Inc.**, Boulder, Colo.

DESCRIPTION

[**] Term: **14 Years**

FIG. 1 is a bottom and side perspective view of a puck showing a front end;
FIG. 2 is a top and side view of the puck shown in FIG. 1;
FIG. 3 is a side view of the puck shown in FIG. 1;
FIG. 4 is a front view of the puck shown in FIG. 1;
FIG. 5 is a bottom end view of the puck shown in FIG. 1;
FIG. 6 is a top end view of the puck shown in FIG. 1; an
FIG. 7 is a back end view of the puck shown in FIG. 1;
FIG. 8 is a top and side perspective view of a front end of an alternative embodiment of the puck of FIG. 1;
FIG. 9 is front end view of the puck showing FIG. 8;
FIG. 10 is a back end view of the puck shown in FIG. 8; and,
FIG. 11 is a top side view of the puck shown in FIG. 8.

[21] Appl. No.: **29/112,421**

[22] Filed: **Oct. 15, 1999**

[51] **LOC (7) Cl.** **10-04**

[52] **U.S. Cl.** **D10/96**

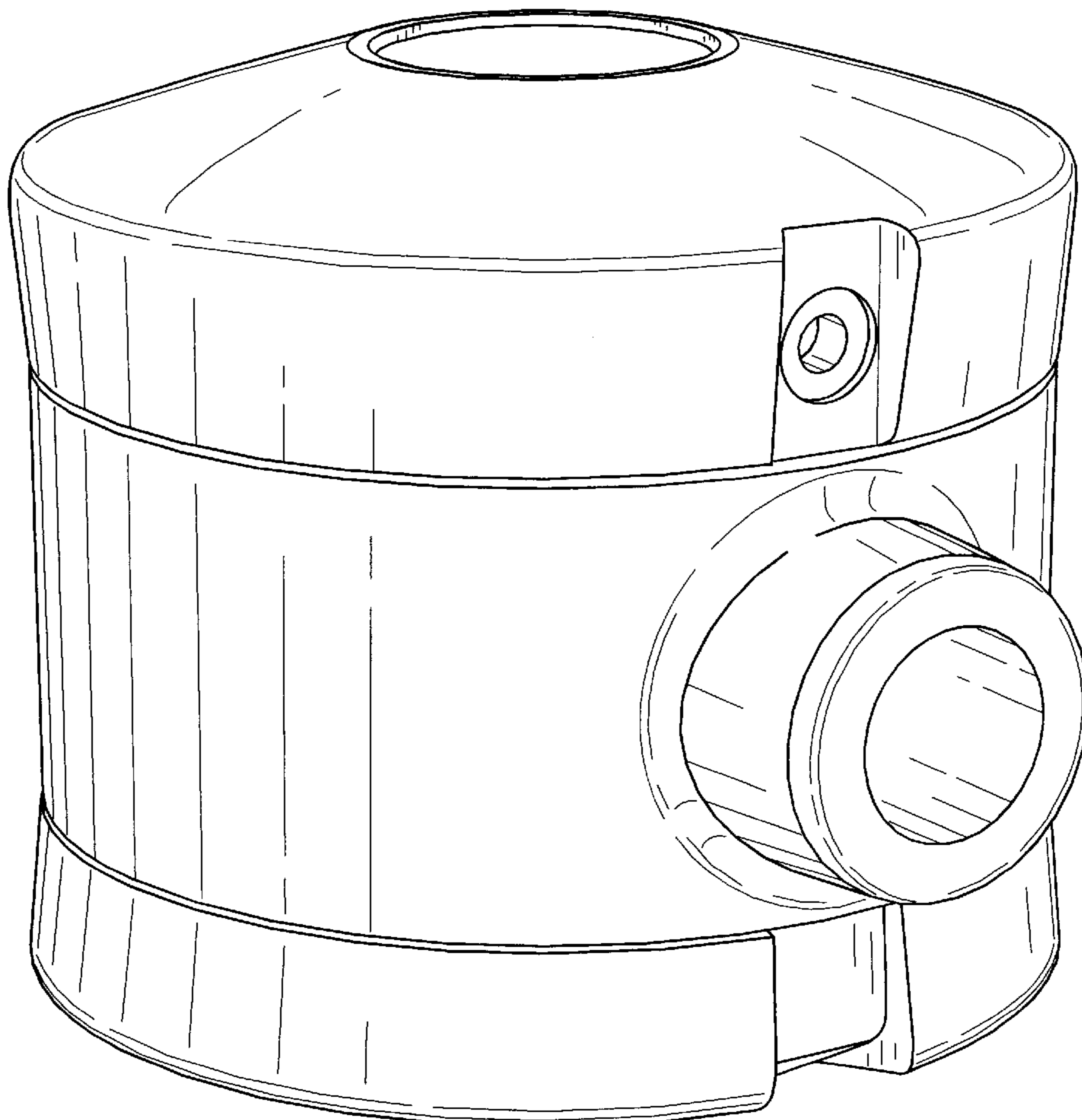
[58] **Field of Search** D10/96; 73/861,
73/861.355, 861.356, 861.357, 861.52,
861.56, 861.354

[56] **References Cited**

U.S. PATENT DOCUMENTS

- D. 348,017 6/1994 Poleshuk et al. D10/99
- D. 349,018 7/1994 Poleshuk et al. D10/99

1 Claim, 8 Drawing Sheets



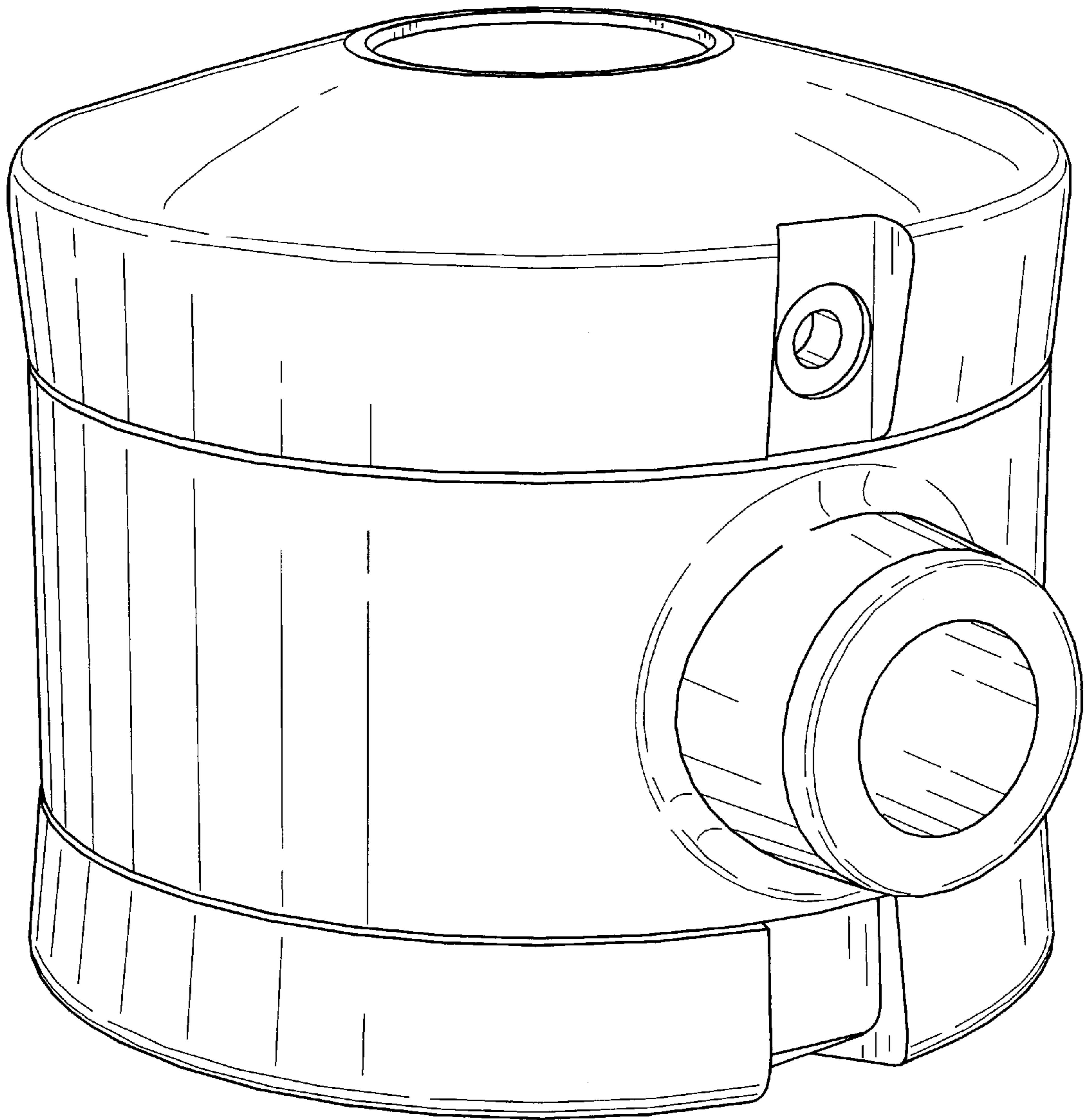


FIG. 1

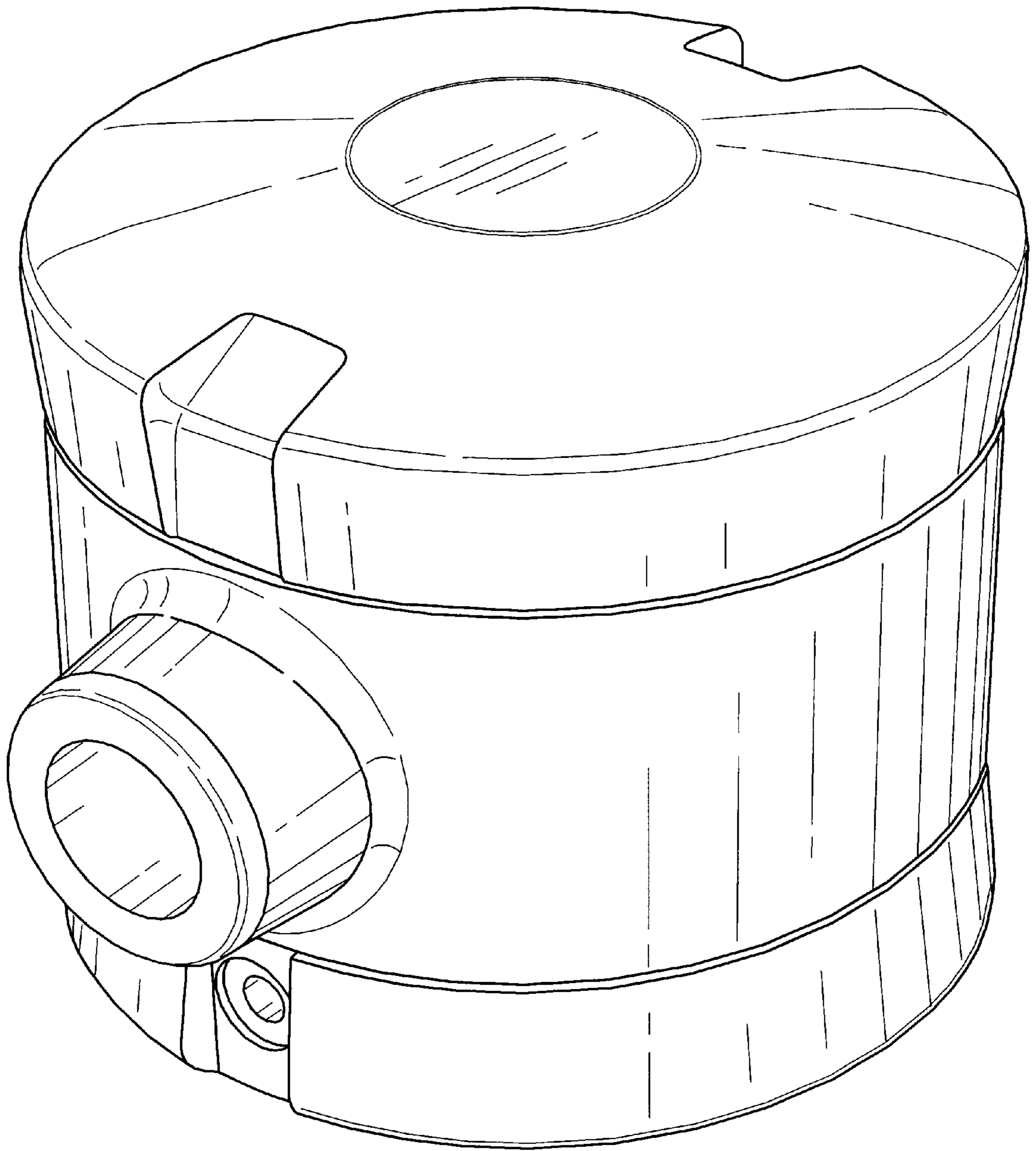


FIG. 2

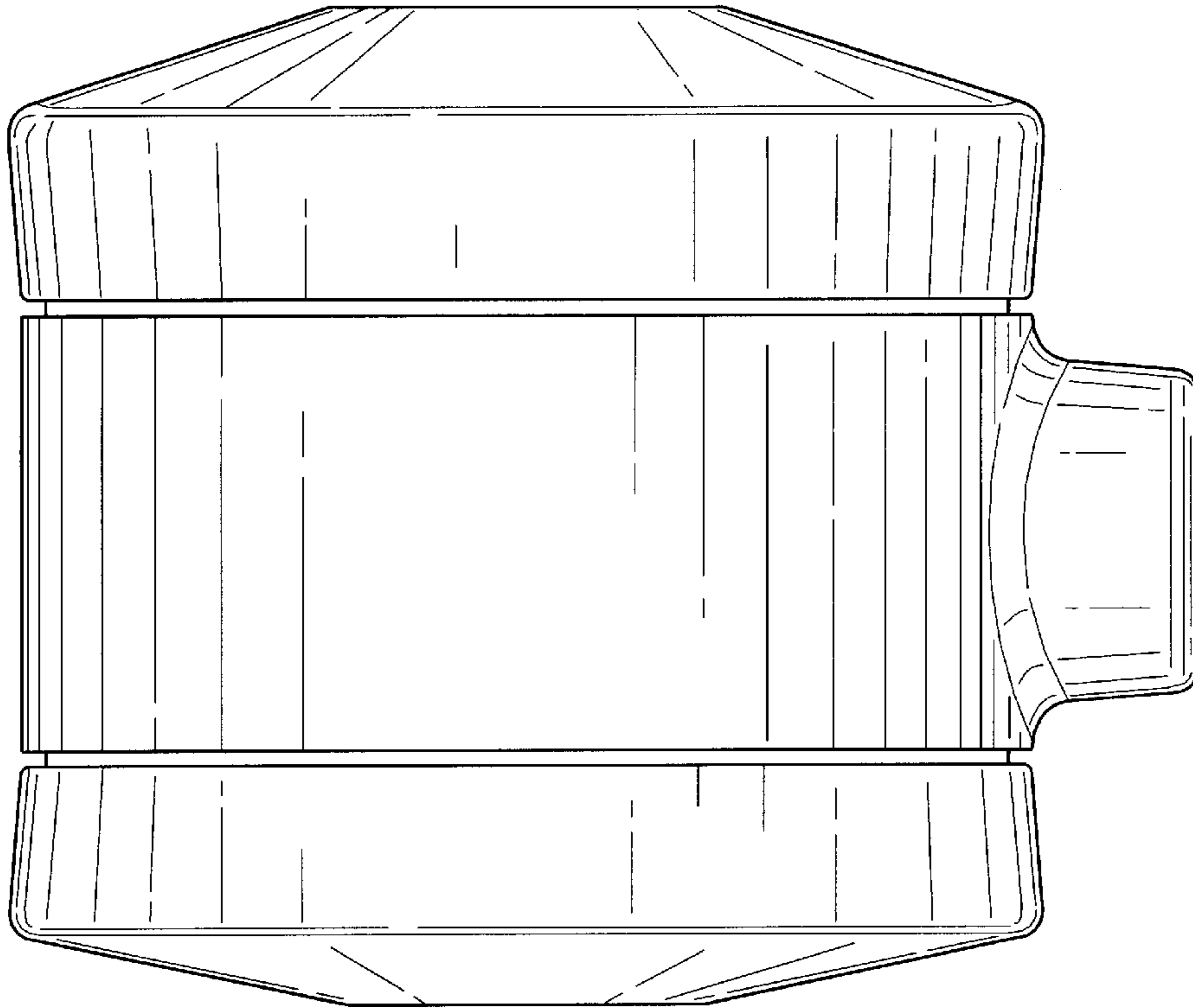


FIG. 3

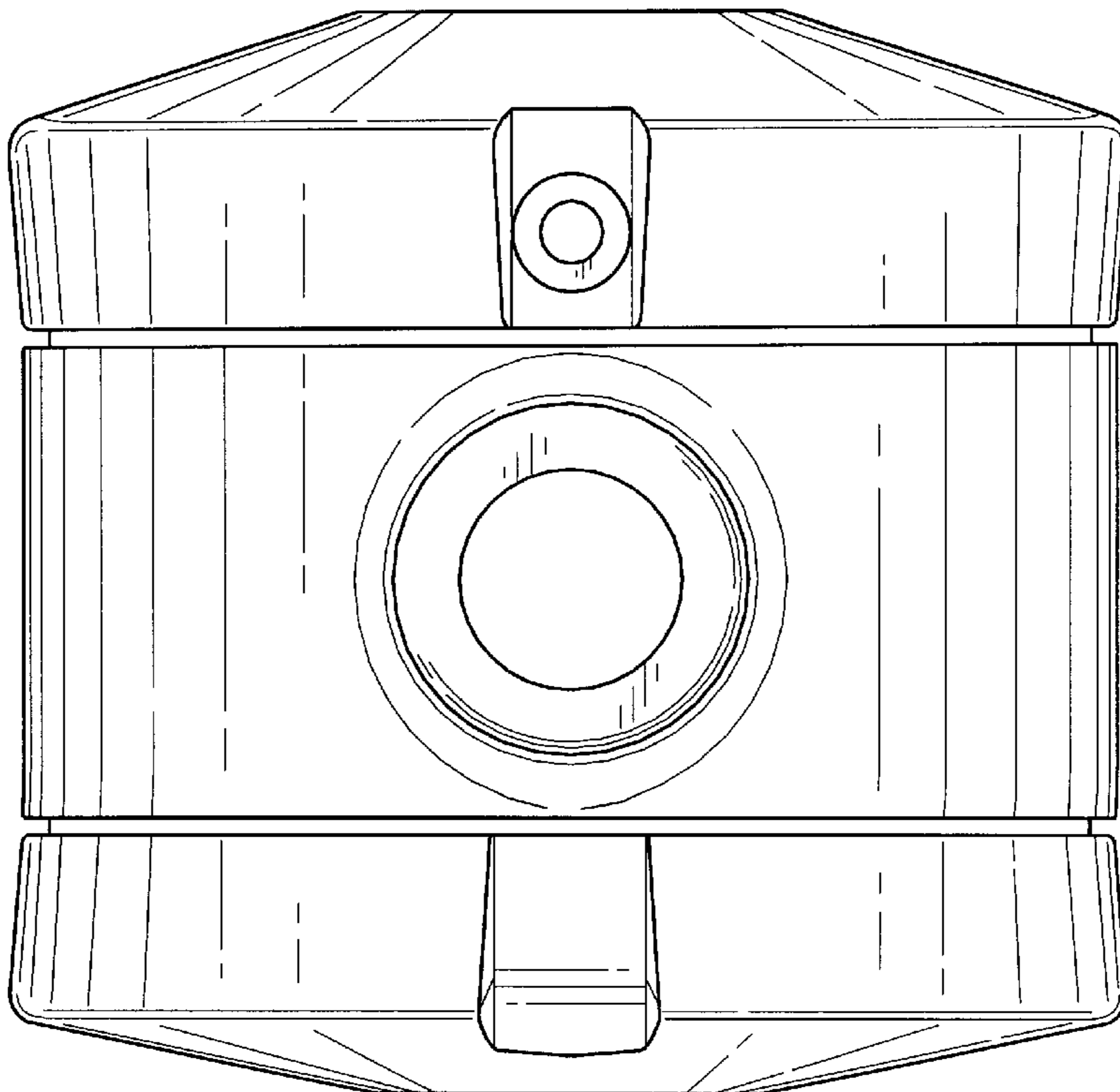


FIG. 4

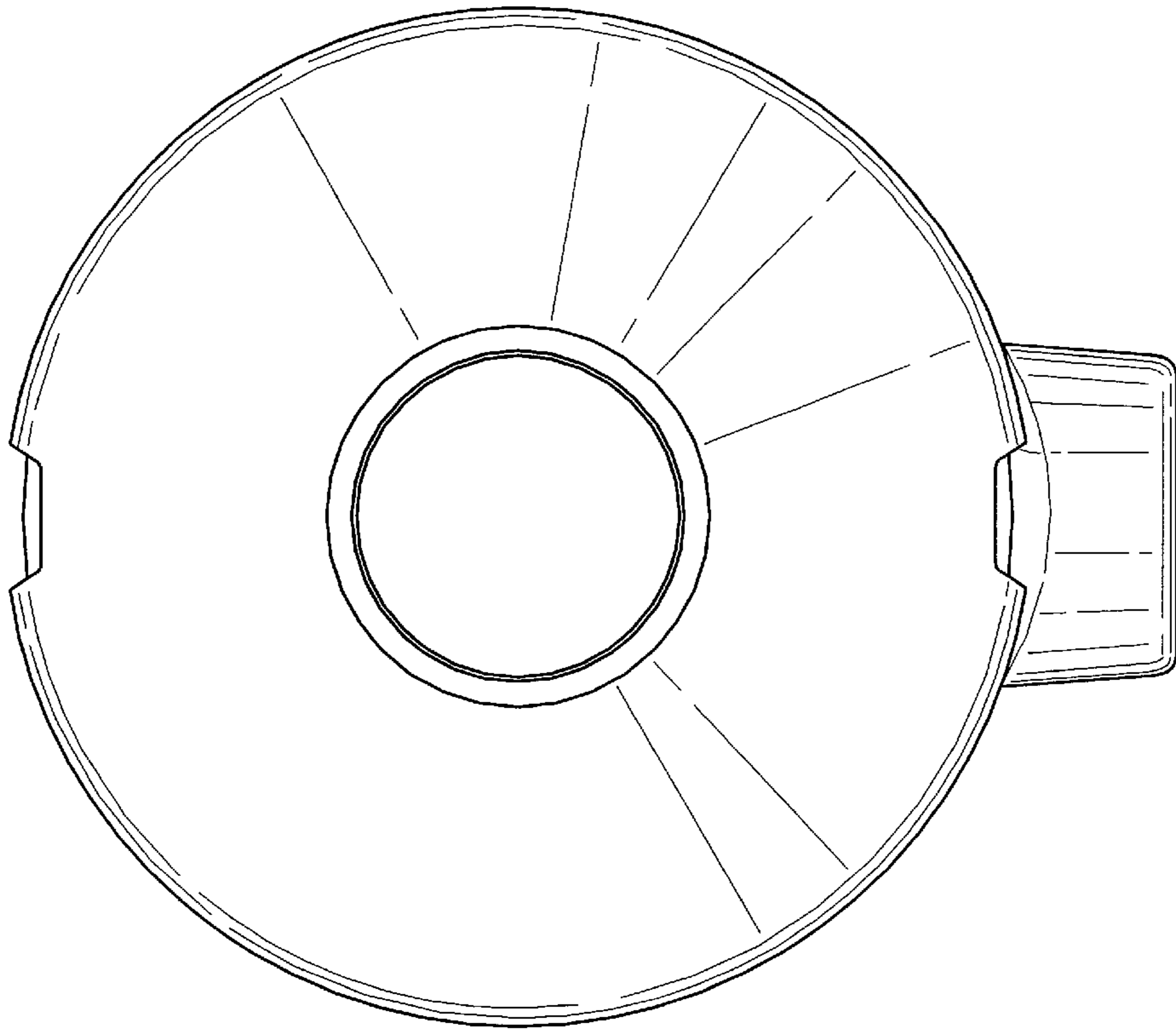


FIG. 5

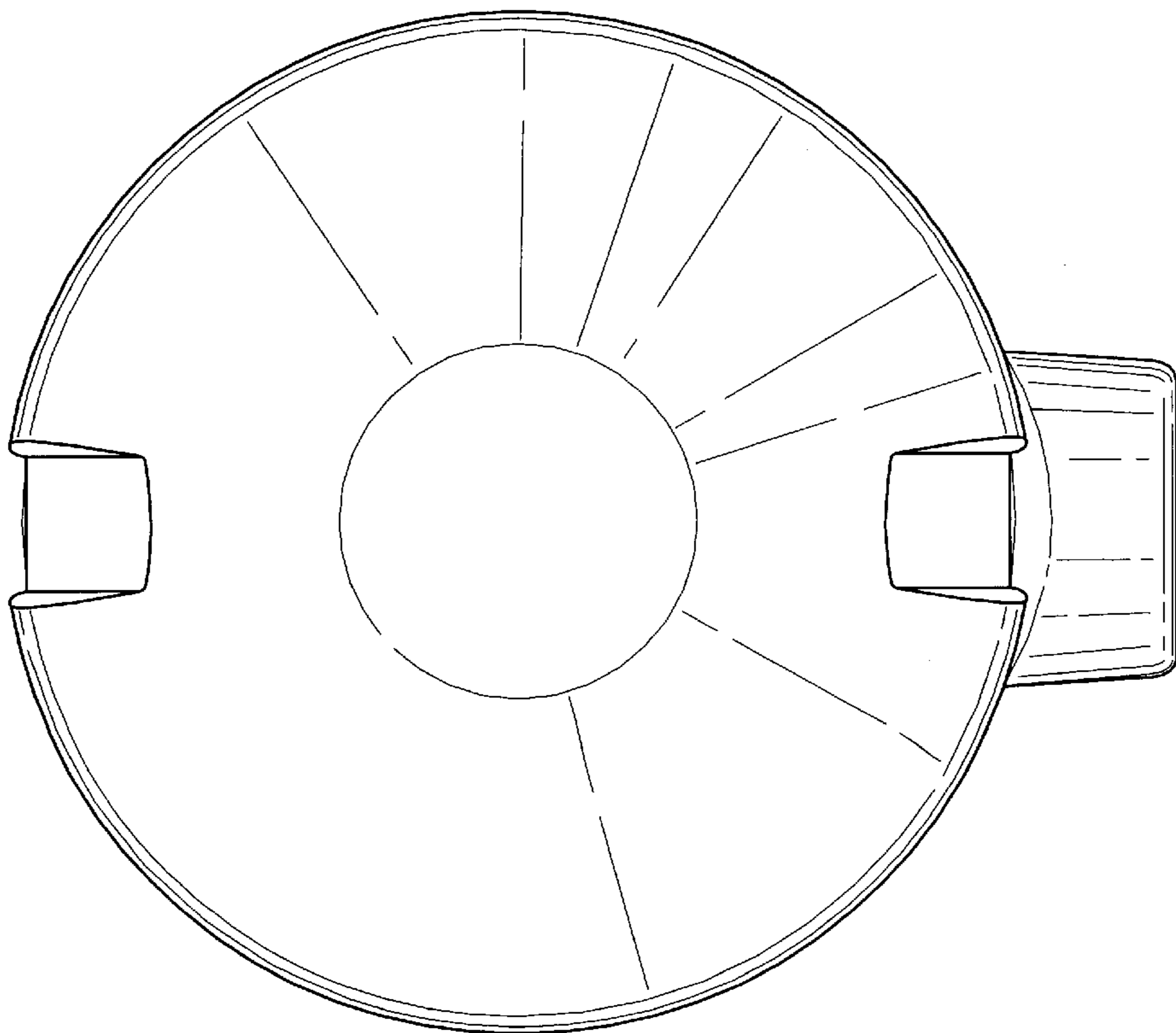


FIG. 6

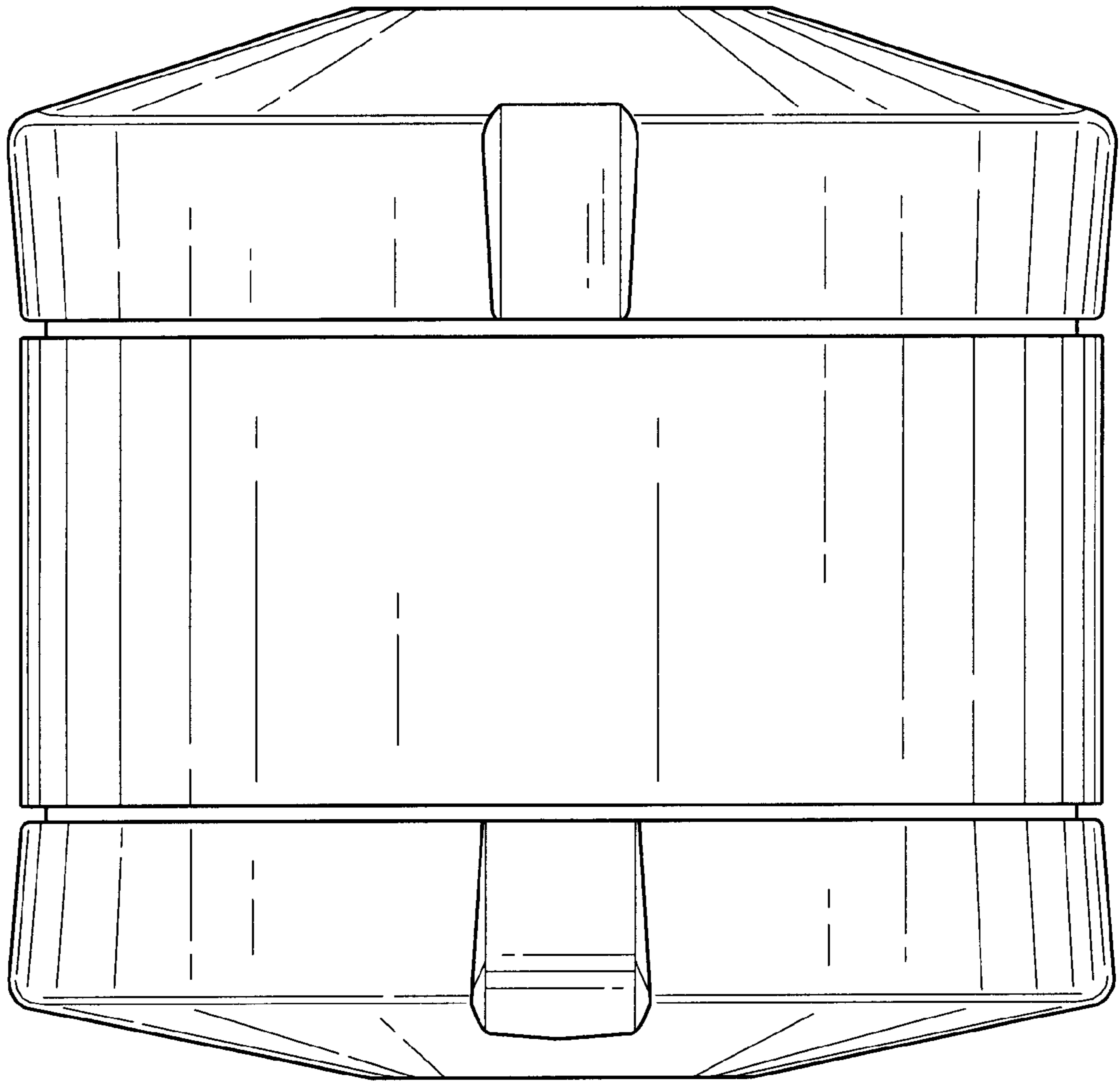


FIG. 7

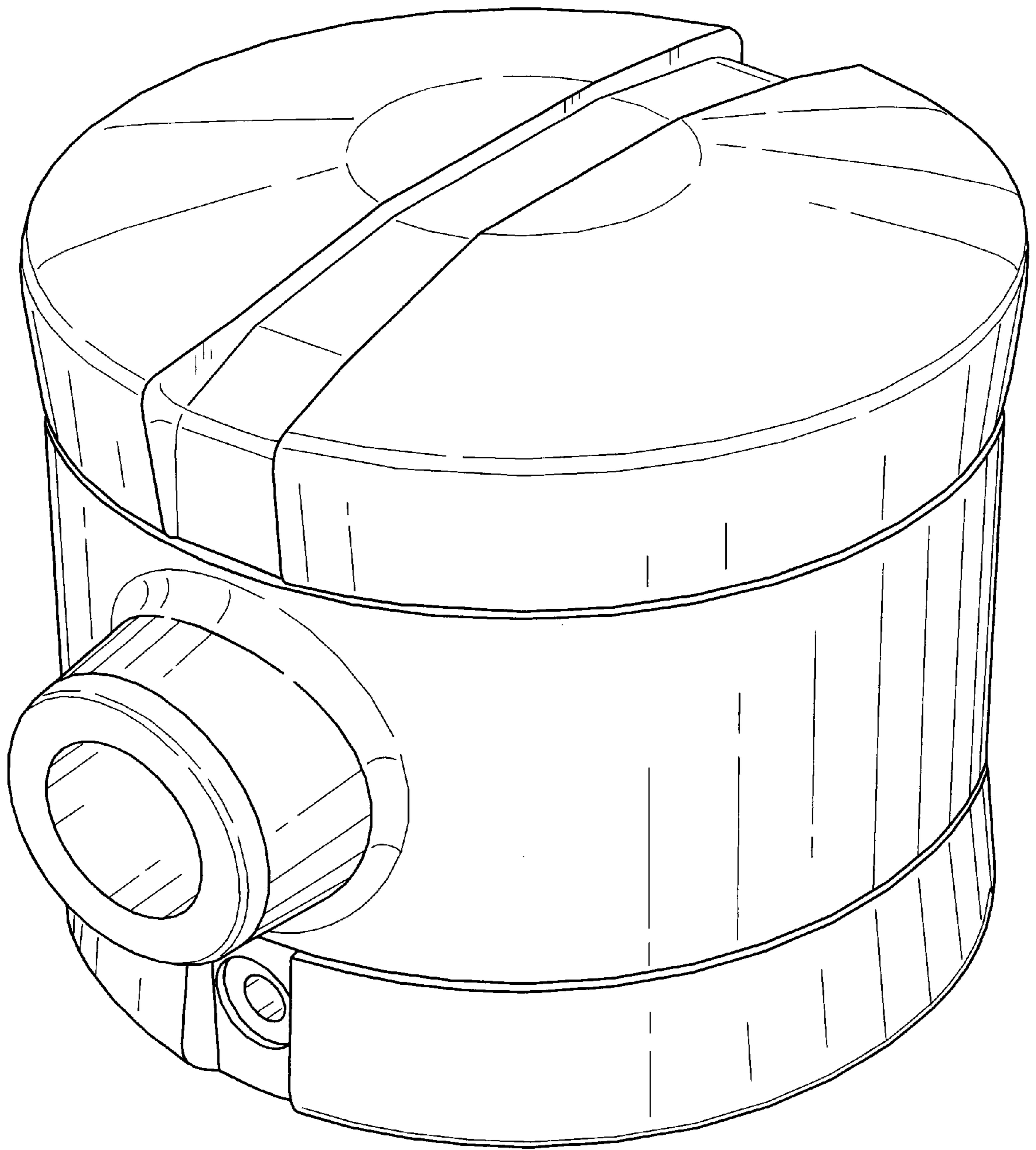


FIG. 8

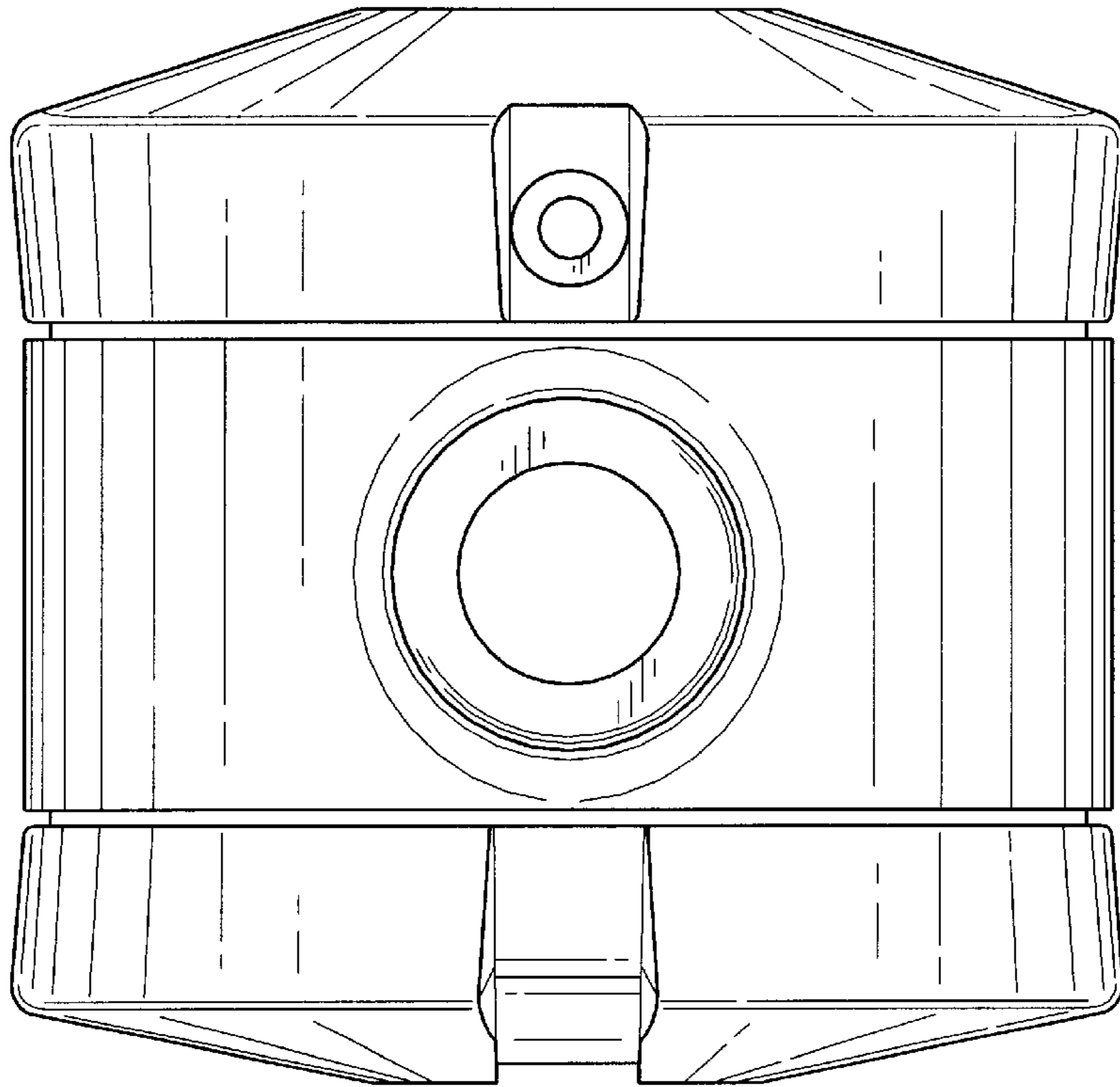


FIG. 9

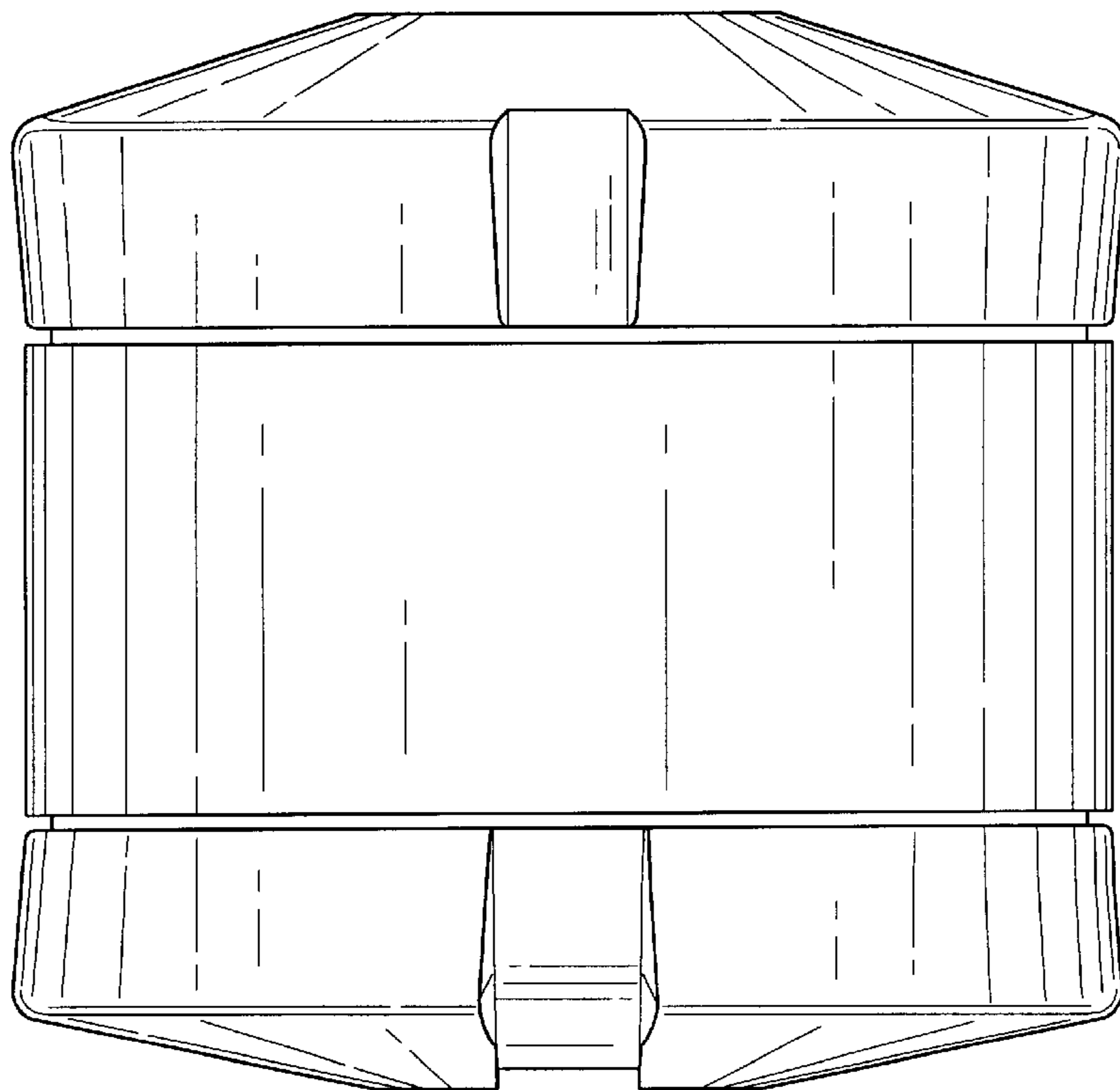


FIG. 10

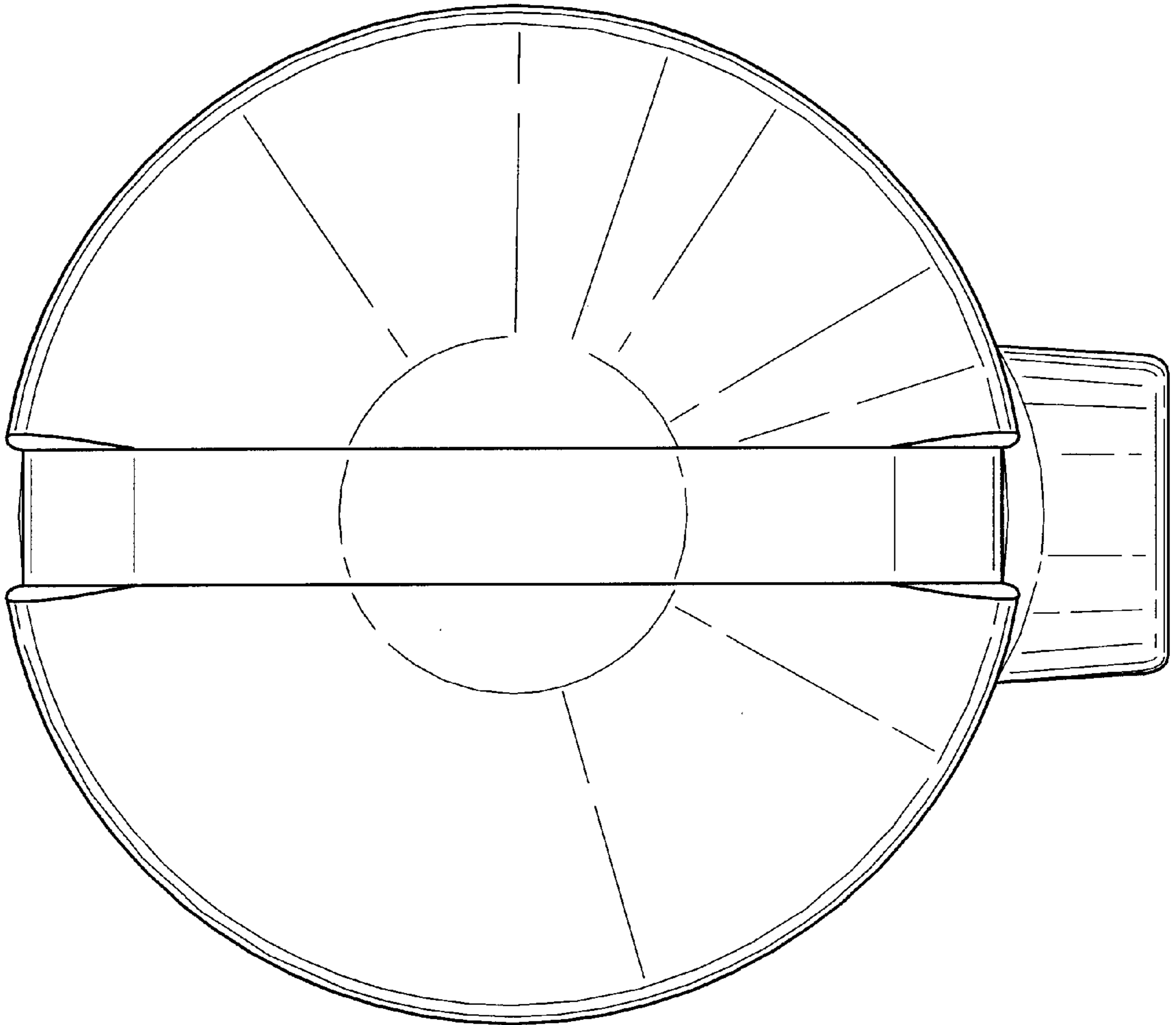


FIG. 11

UNITED STATES PATENT AND TRADEMARK OFFICE
CERTIFICATE OF CORRECTION

PATENT NO. : Des. 430,049
DATED : August 29, 2000
INVENTOR(S) : Edward Leroy Flick and Jeffrey Allen Gettle

Page 1 of 1

It is certified that error appears in the above-identified patent and that said Letters Patent is hereby corrected as shown below:

Title page,

Item [75], Inventors, replace “**Edward Leroy Flick, Denver; Jeefrey Allen Gettle, Federal Heights, both of Colo.**” with -- **Edward Leroy Flick, Denver; Jeffrey Allen Gettle, Federal Heights, both of Colo.** --.

Signed and Sealed this

Twenty-ninth Day of October, 2002

Attest:

A handwritten signature in black ink, appearing to read 'James E. Rogan', with a horizontal line drawn underneath it.

Attesting Officer

JAMES E. ROGAN
Director of the United States Patent and Trademark Office