



US00D430048S

United States Patent [19]

[11] Patent Number: Des. 430,048

Hoofnagle et al.

[45] Date of Patent: ** Aug. 29, 2000

[54] NETWORK TESTER

[57] CLAIM

[75] Inventors: **Wayne S. Hoofnagle**, Redmond; **Roger L. Howell**, Seattle, both of Wash.

The ornamental design for a network tester, as shown.

[73] Assignee: **Fluke Corporation**, Everett, Wash.

DESCRIPTION

[**] Term: **14 Years**

FIG. 1 is a perspective view of a first embodiment of a network tester showing our new design; FIG. 2 is a front plan view thereof; FIG. 3 is a right side elevational view thereof; FIG. 4 is a left side elevational view thereof; FIG. 5 is a top elevational view thereof; FIG. 6 is a bottom elevational view thereof; FIG. 7 is a rear plan view thereof; FIG. 8 is a perspective view of a second embodiment of a network tester showing our new design; FIG. 9 is a front plan view thereof; FIG. 10 is a right side elevational view thereof; FIG. 11 is a left side elevational view thereof; FIG. 12 is a top elevational view thereof; FIG. 13 is a bottom elevational view thereof; and, FIG. 14 is a rear plan view thereof.

[21] Appl. No.: **29/114,290**

[22] Filed: **Nov. 18, 1999**

[51] LOC (7) Cl. **10-04**

[52] U.S. Cl. **D10/78**

[58] Field of Search D10/78; 324/66, 324/67, 158 F, 539-542; 379/1-10, 21, 60, 66, 96, 105-107

The broken line showing is for illustrative purposes only and forms no part of the claimed design.

[56] References Cited

U.S. PATENT DOCUMENTS

- D. 366,220 1/1996 Sakamoto D10/65
- D. 389,759 1/1998 Taylor et al. D10/78

Primary Examiner—Antoine Duval Davis
Attorney, Agent, or Firm—George T. Noe

1 Claim, 8 Drawing Sheets

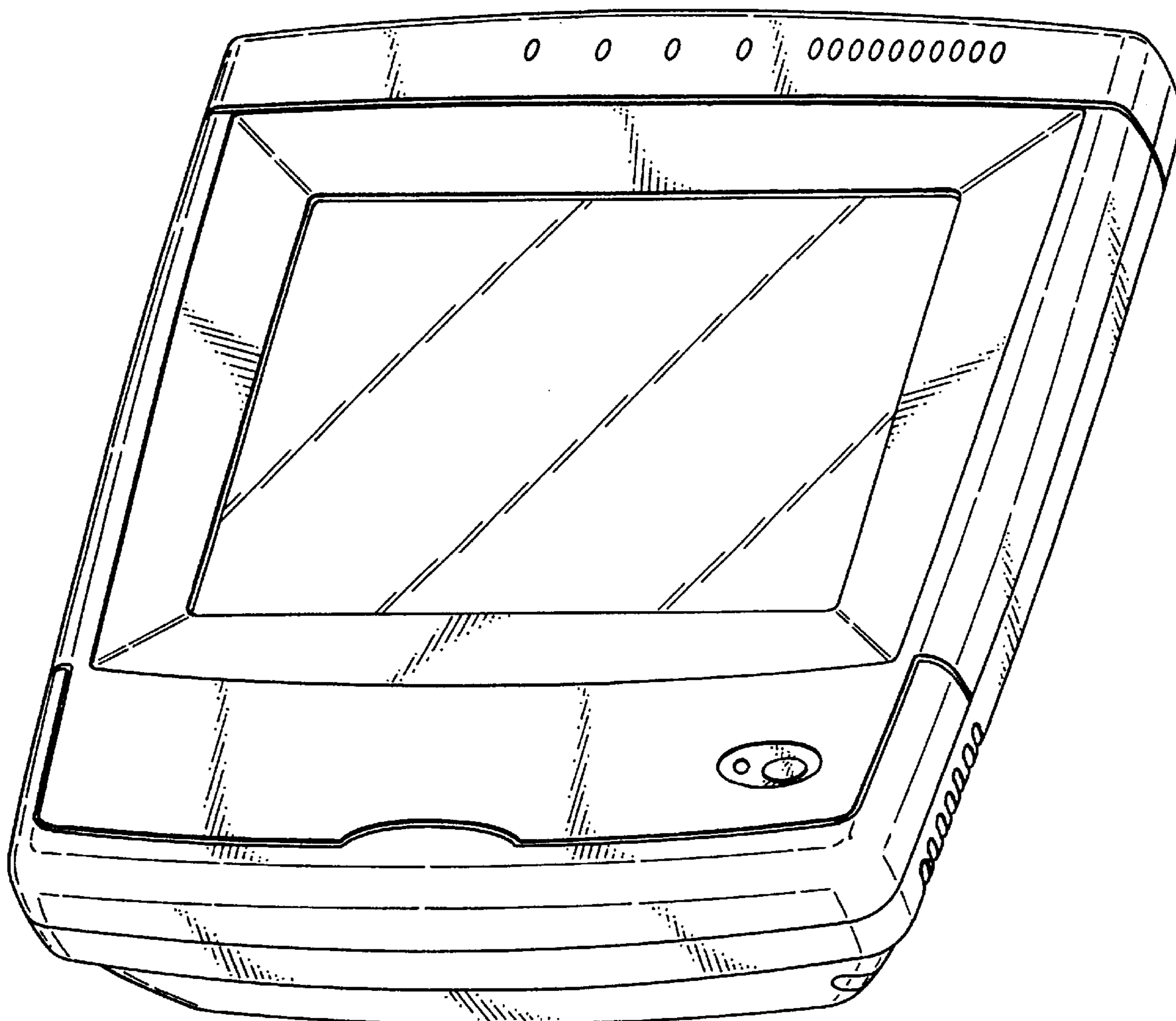


FIG. 1

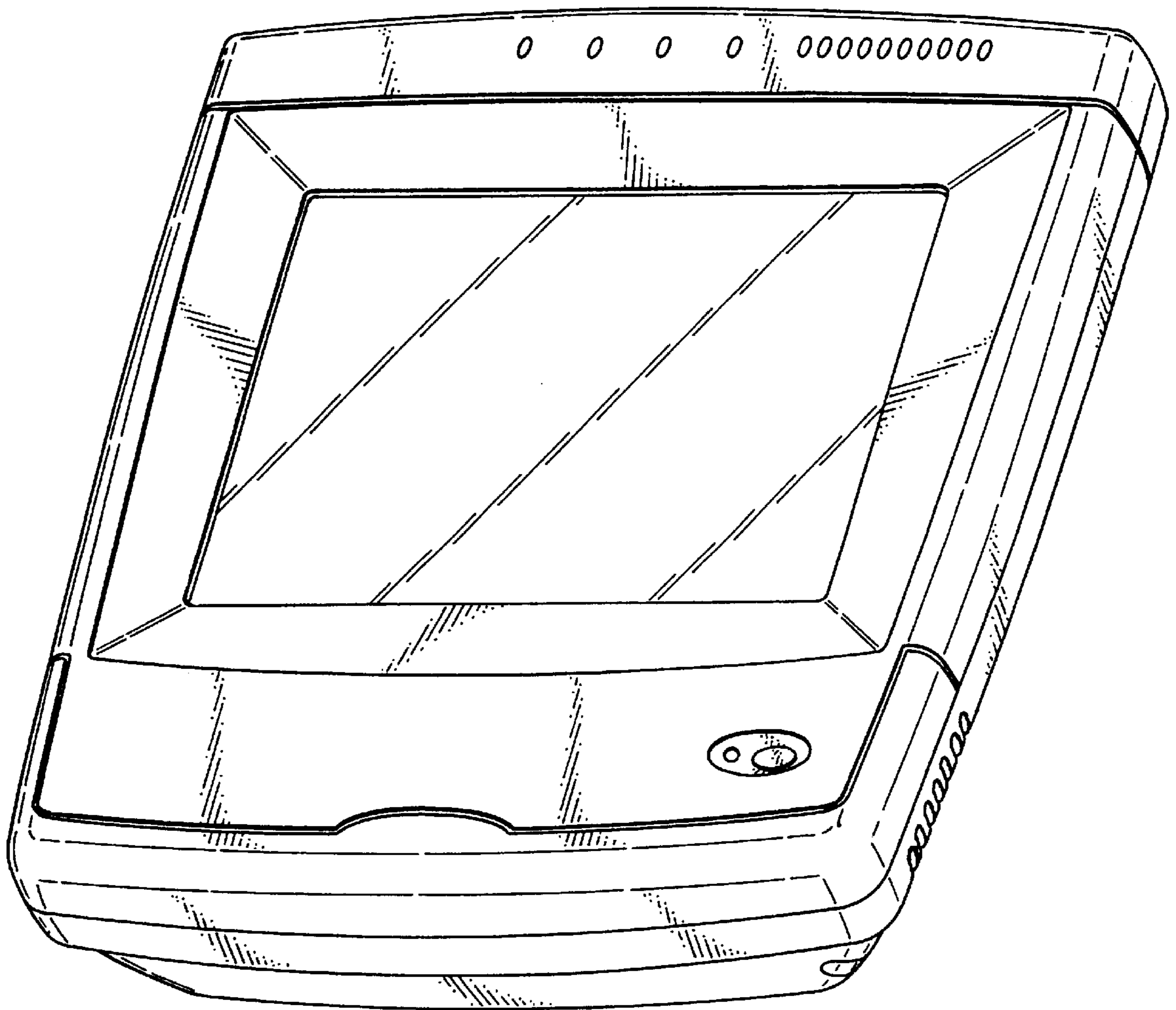


FIG. 2

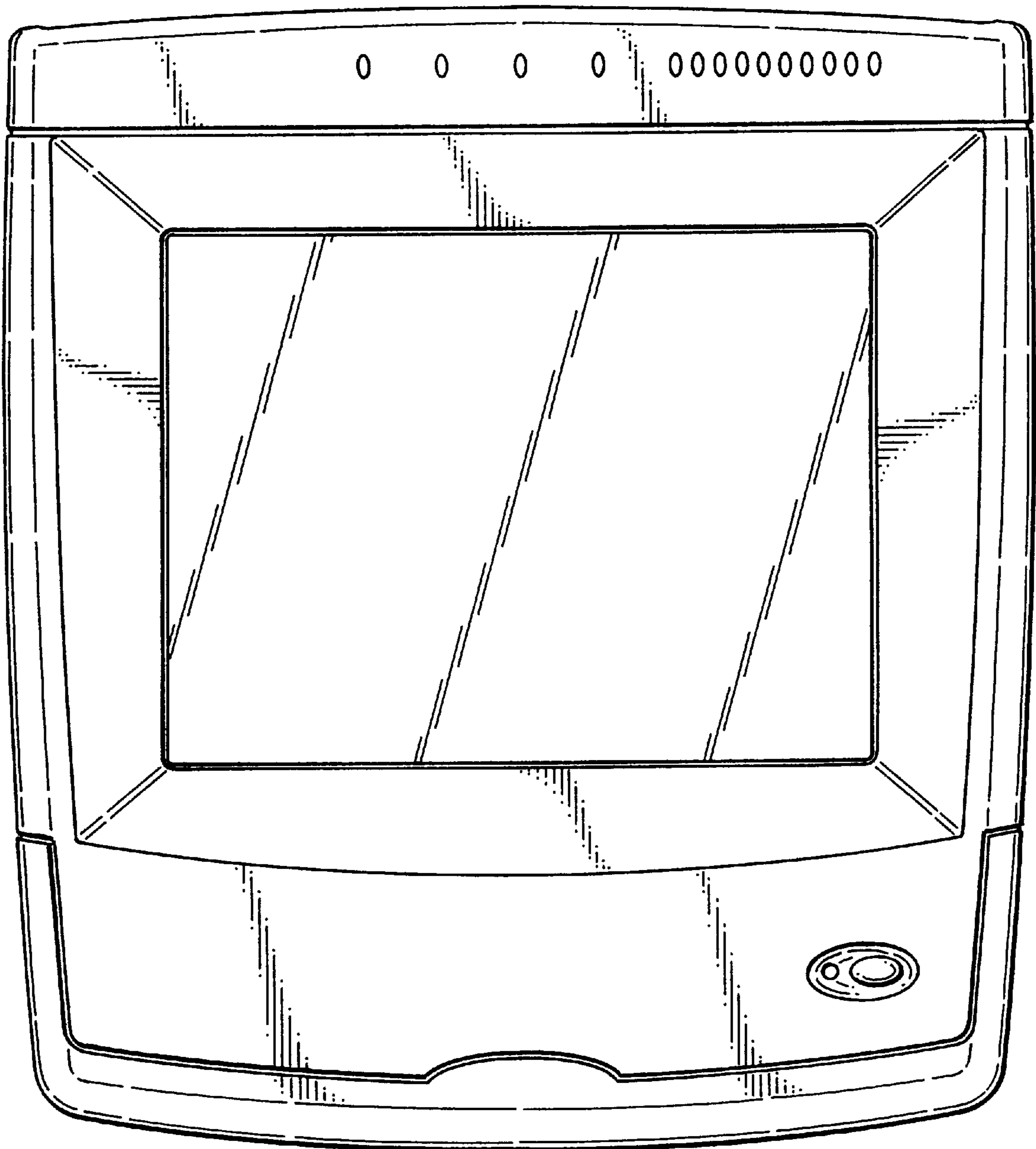


FIG. 3

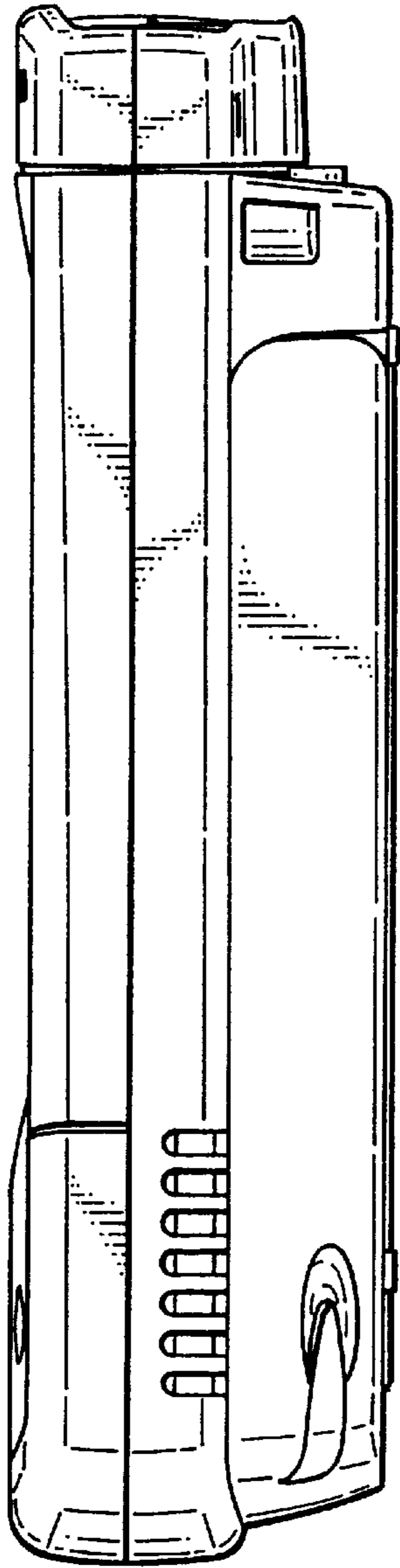


FIG. 4

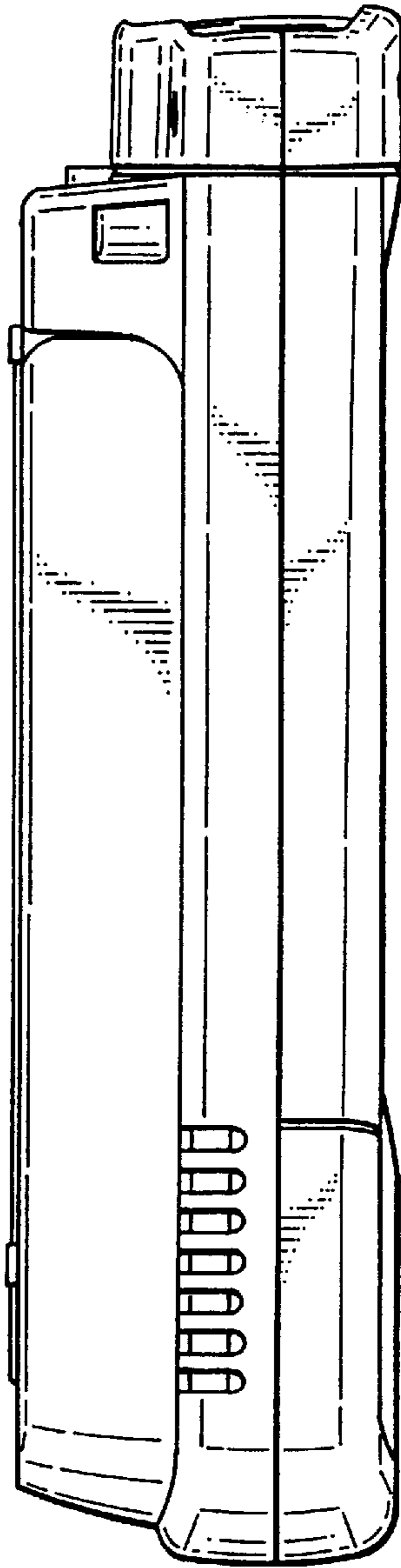


FIG. 5

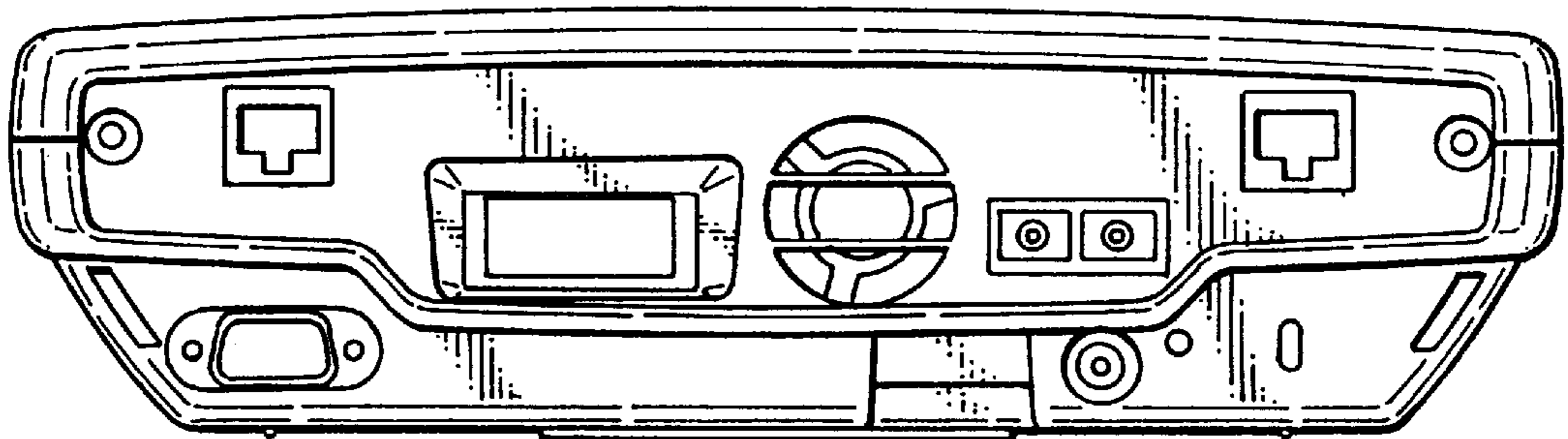


FIG. 6

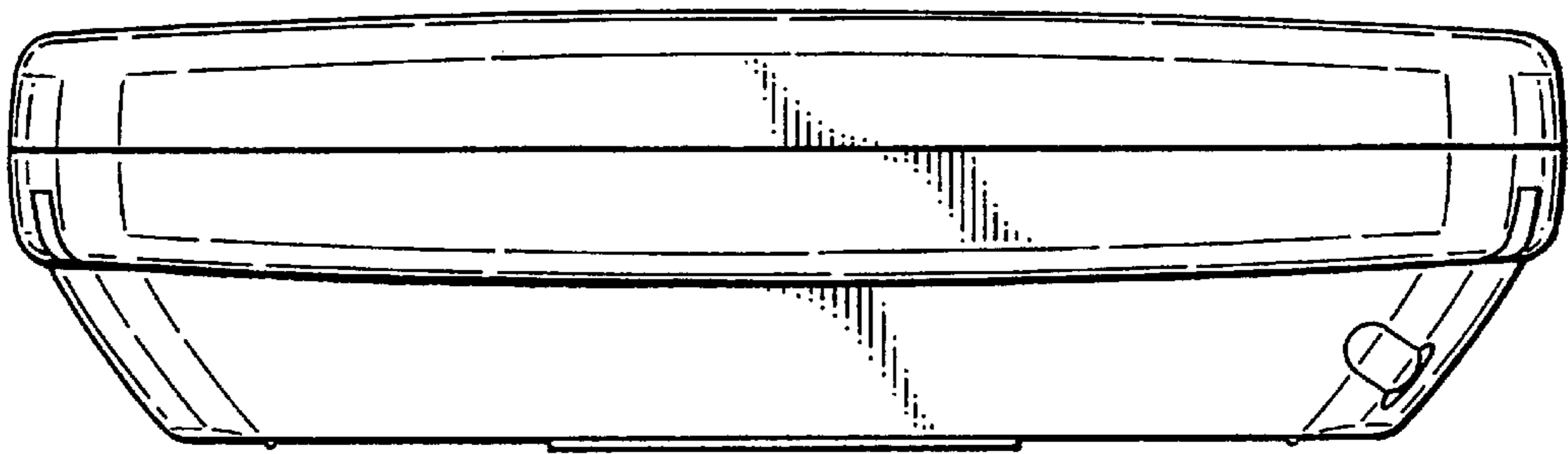


FIG. 7

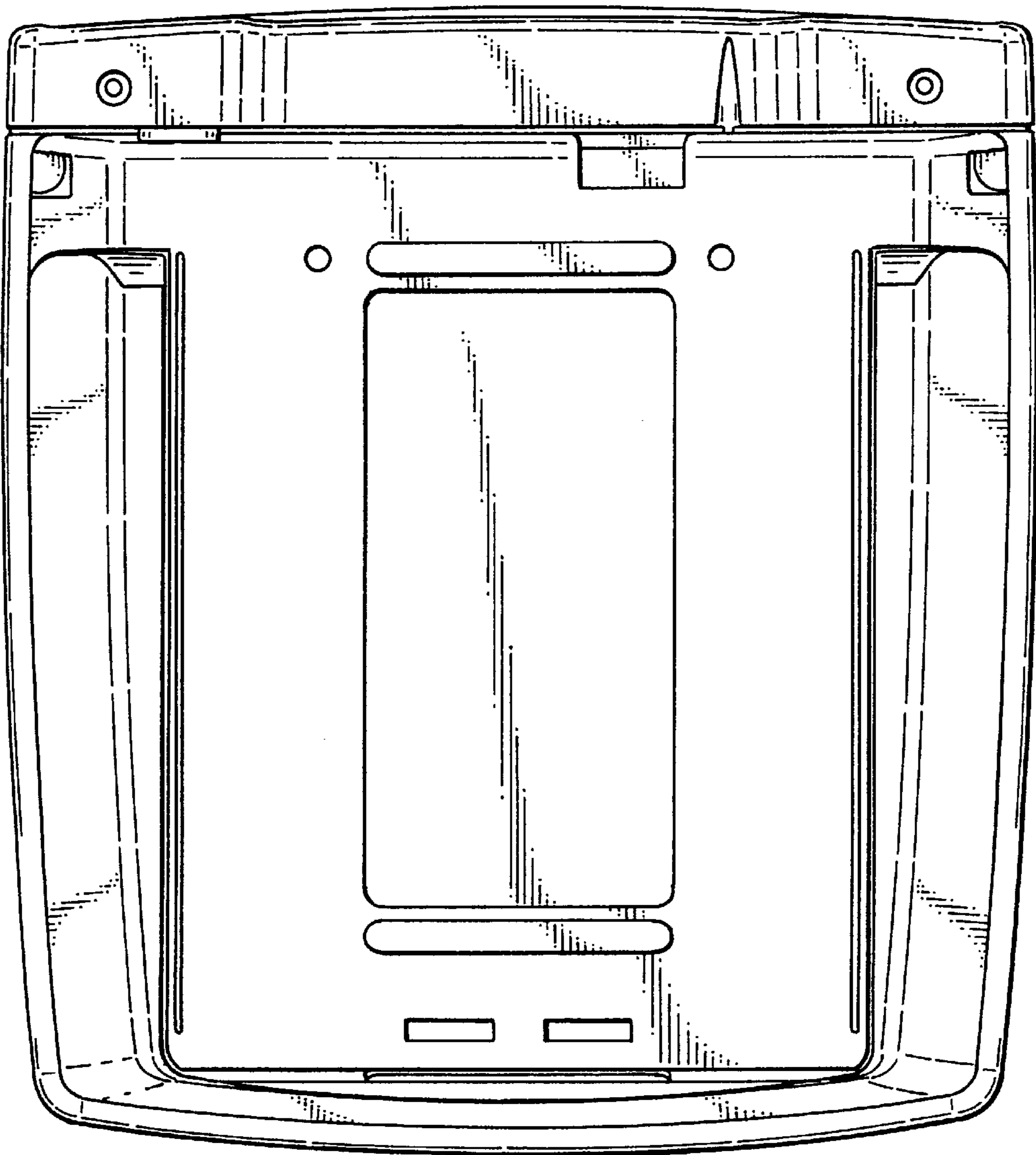


FIG. 8

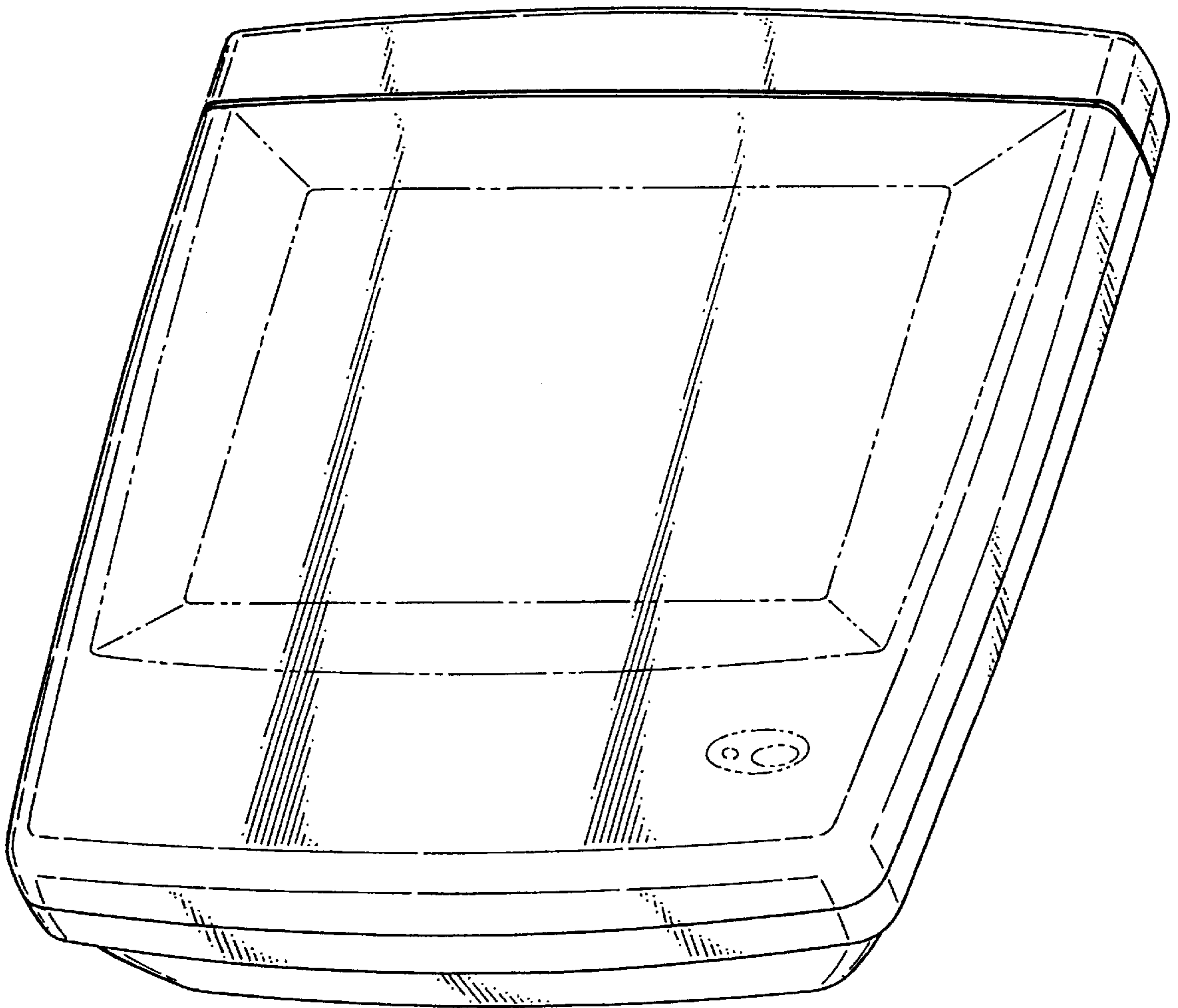


FIG. 9

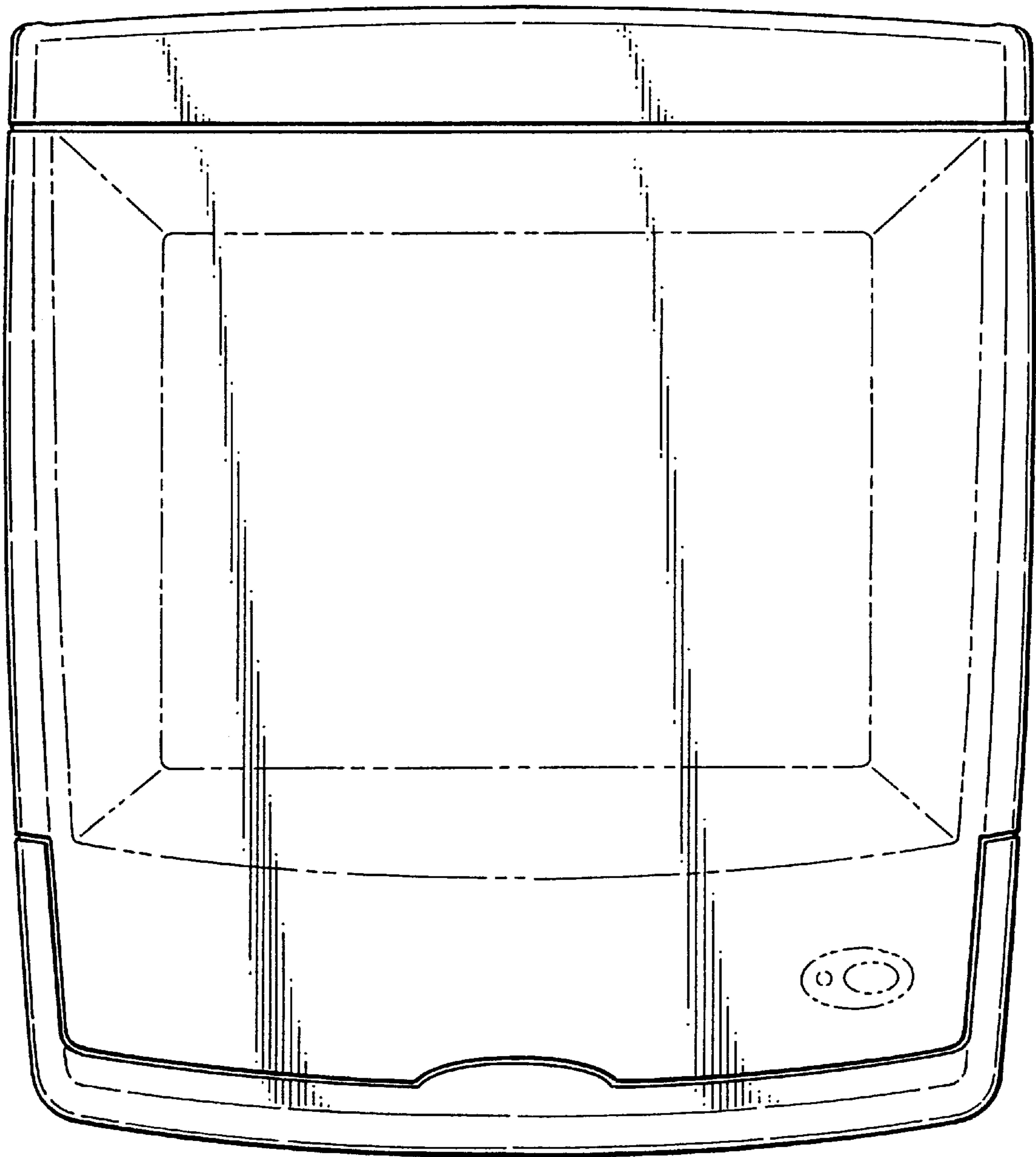


FIG. 10

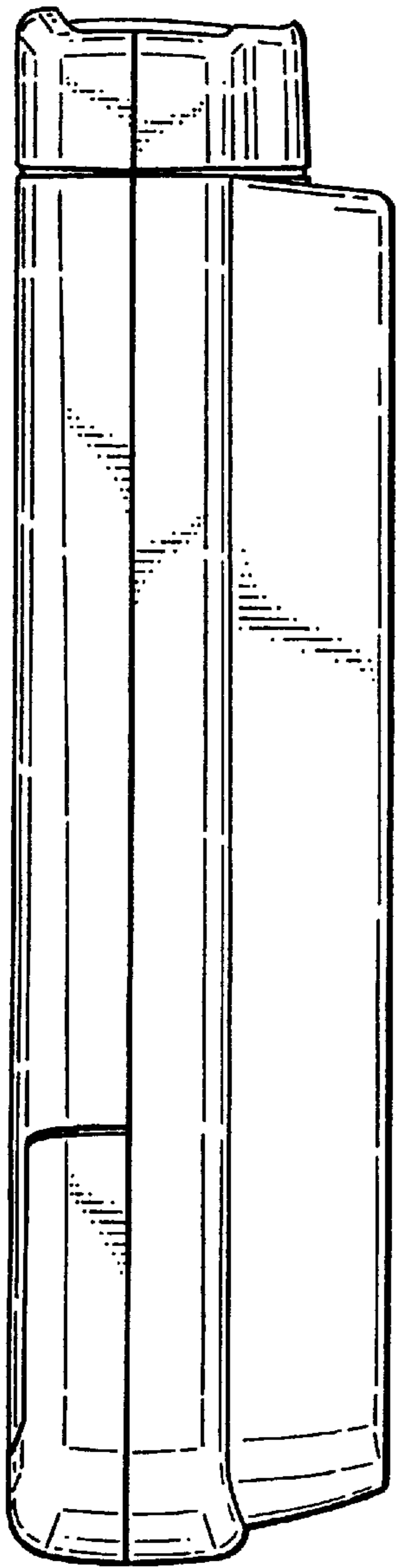


FIG. 11

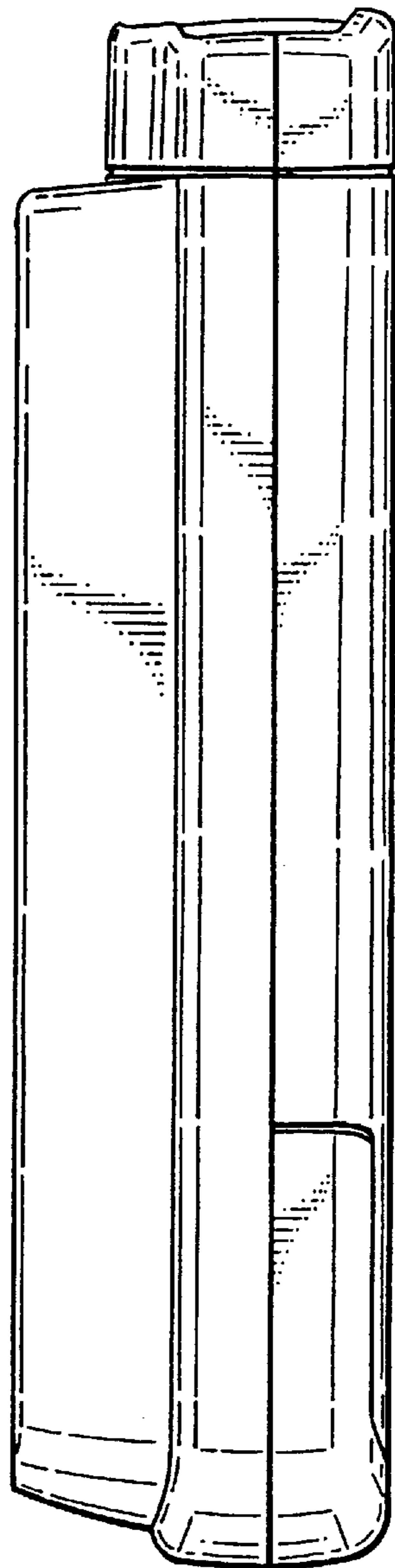


FIG. 12

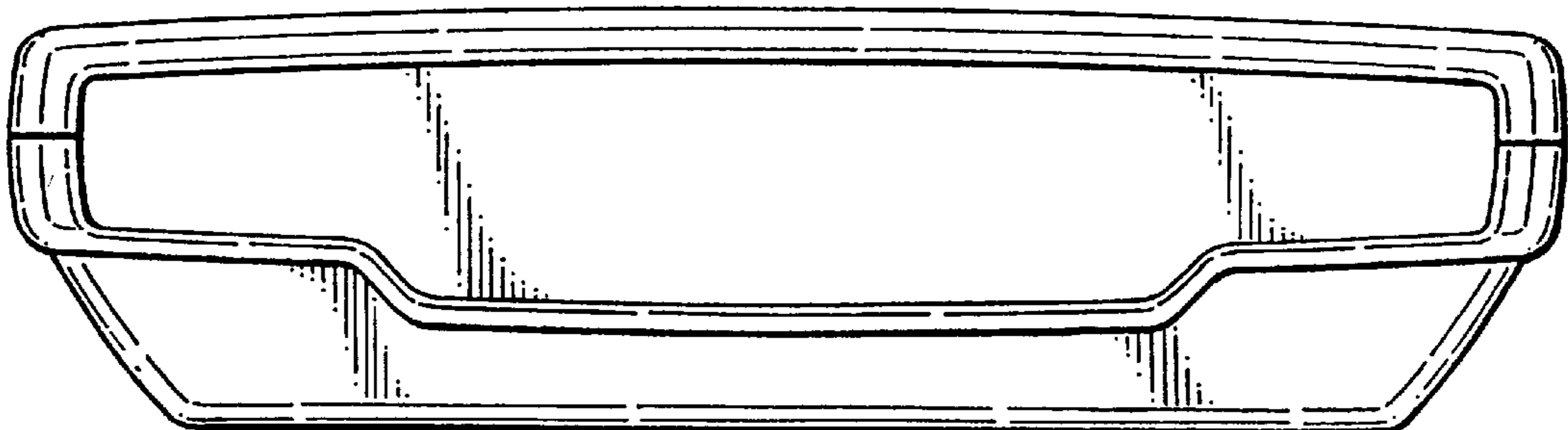


FIG. 13

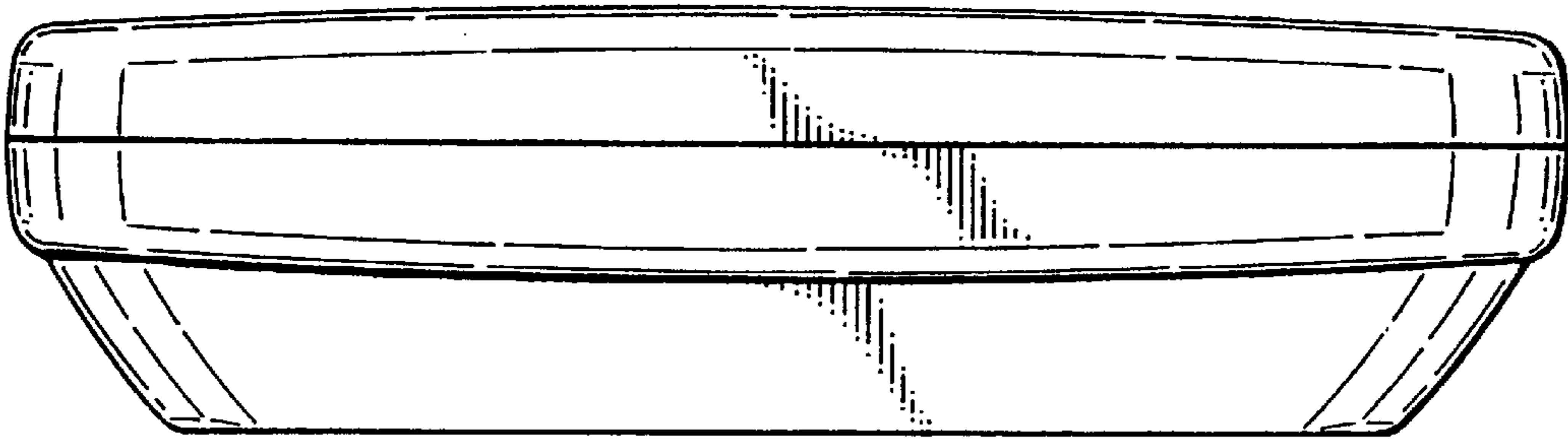


FIG. 14

