



US00D430044S

United States Patent [19] Clivio

[11] **Patent Number: Des. 430,044**

[45] **Date of Patent: ** Aug. 29, 2000**

[54] **WATER COMPUTER**

[75] Inventor: **Franco Clivio**, Erlenbach, Switzerland

[73] Assignee: **Gardena Kress + Kastner GmbH**,
Germany

[**] Term: **14 Years**

[21] Appl. No.: **29/100,163**

[22] Filed: **Feb. 5, 1999**

[30] **Foreign Application Priority Data**

Aug. 8, 1998 [DE] Germany 498 08 205

[51] **LOC (7) Cl.** **10-03**

[52] **U.S. Cl.** **D10/40**

[58] **Field of Search** D10/1-40, 122-132;
239/67-70; 368/96-100, 107-121, 276-277,
285, 316, 317; 137/624.11, 624.18

[56] **References Cited**

U.S. PATENT DOCUMENTS

D. 365,771 1/1996 Clivio D10/96
D. 377,316 1/1997 Roman et al. D10/40
4,592,505 6/1986 Bruninga et al. 239/69

4,807,664 2/1989 Wilson et al. 137/624.11
5,135,158 8/1992 Boyle et al. 229/102
5,715,866 2/1998 Granger 137/624.11

OTHER PUBLICATIONS

Catalog Gardena '96, published Sep. 1995.
Catalog Nelson, published 1997.

Primary Examiner—Nelson C. Holtje
Attorney, Agent, or Firm—Quarles & Brady LLP

[57] **CLAIM**

The ornamental design for a water computer, as shown and described.

DESCRIPTION

FIG. 1 is a side perspective view of a water computer showing my new design;
FIG. 2 is a top plan view thereof;
FIG. 3 is a front elevation view thereof;
FIG. 4 is a side elevation view thereof;
FIG. 5 is an opposite side elevation view thereof;
FIG. 6 is a rear elevation view thereof; and,
FIG. 7 is a bottom plan view thereof.

1 Claim, 4 Drawing Sheets

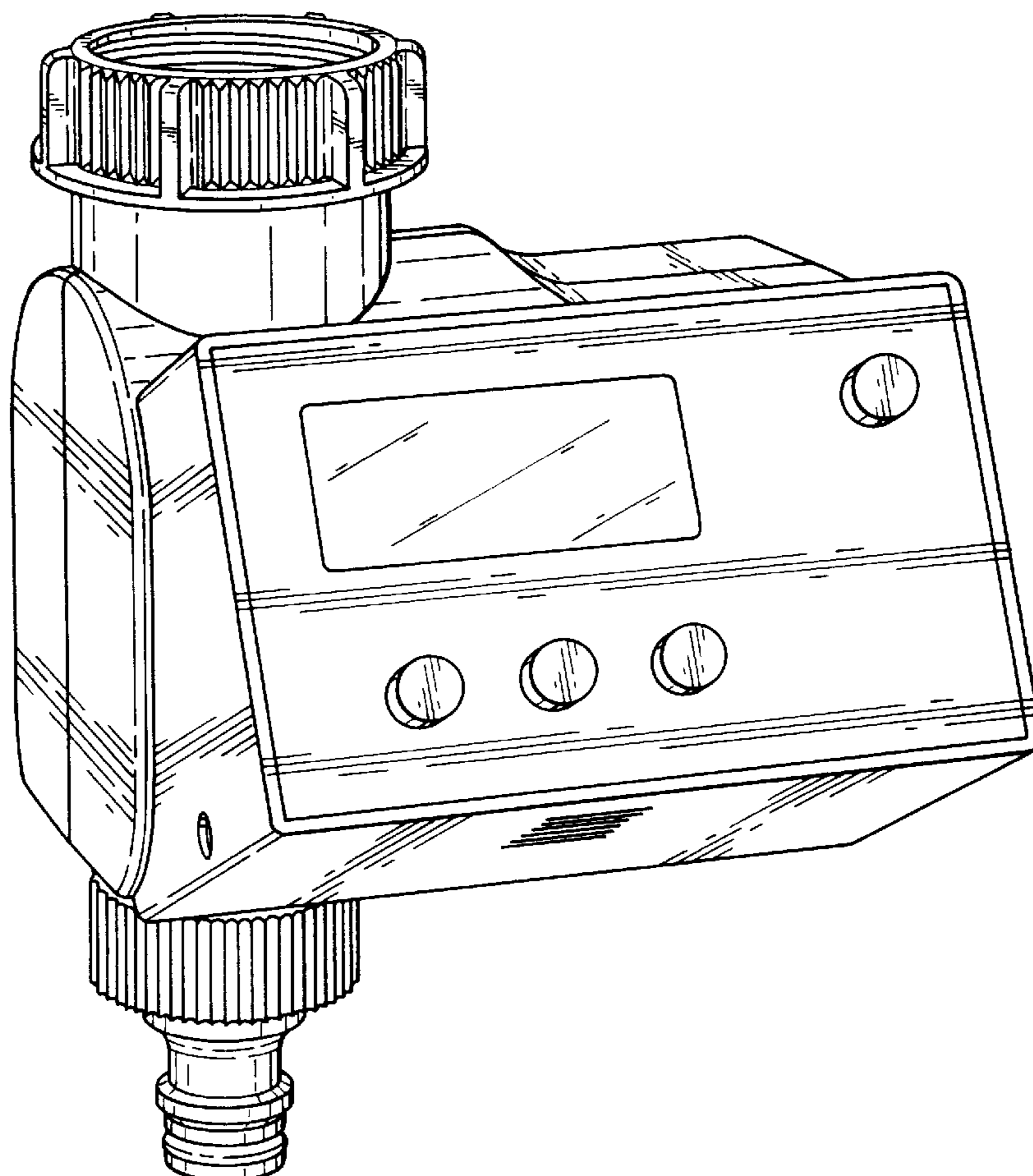
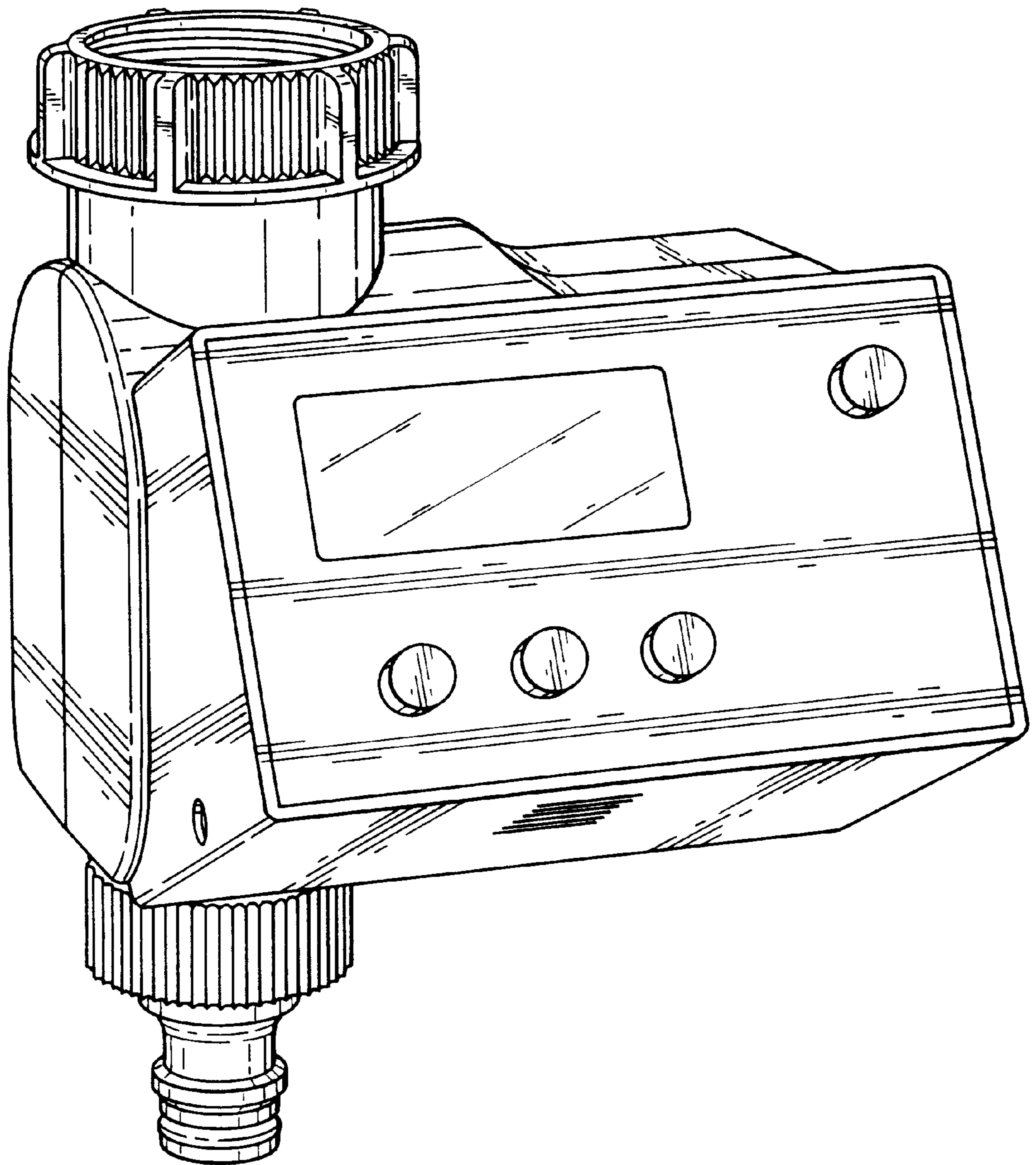


Fig. 1



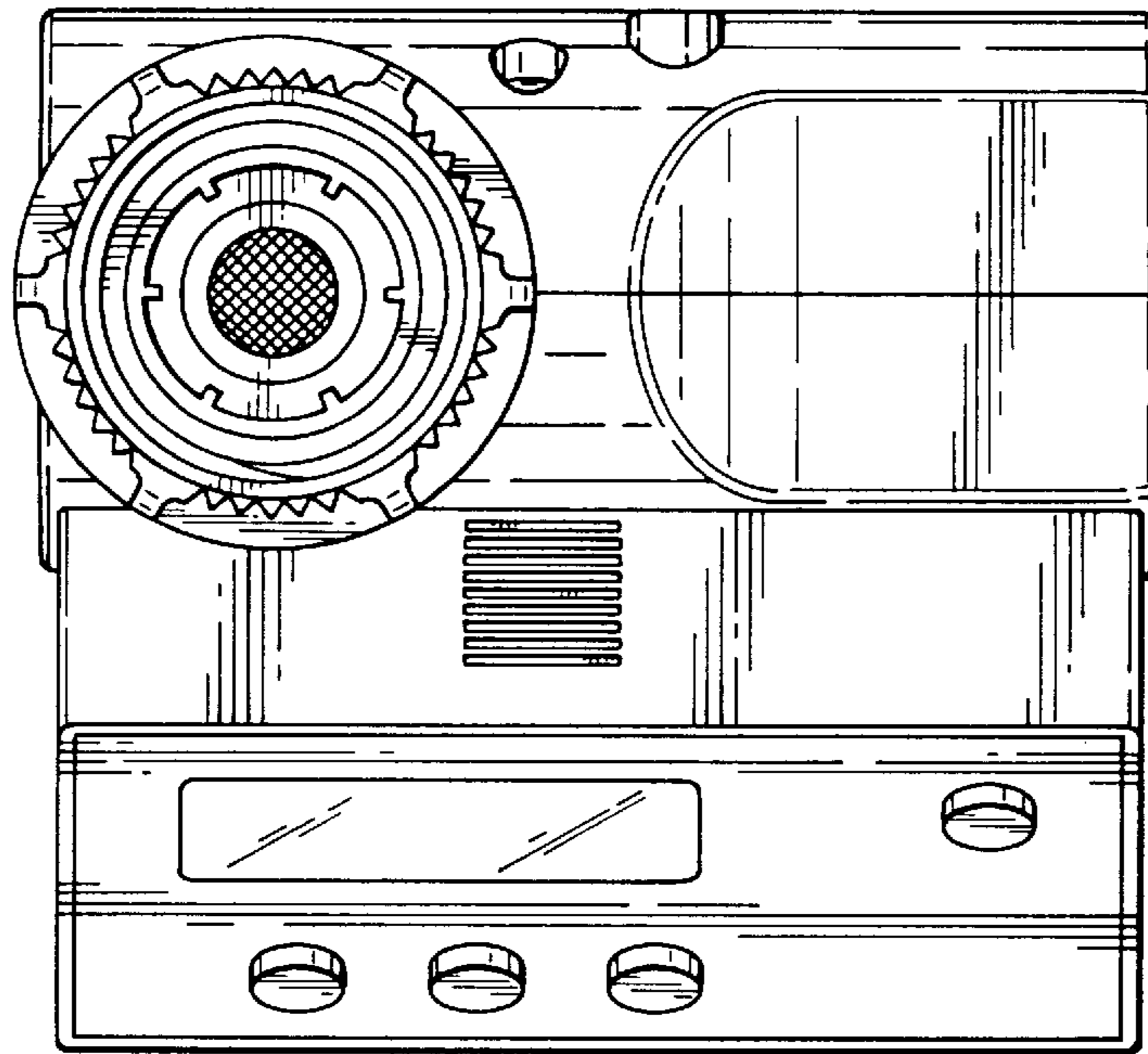


Fig. 2

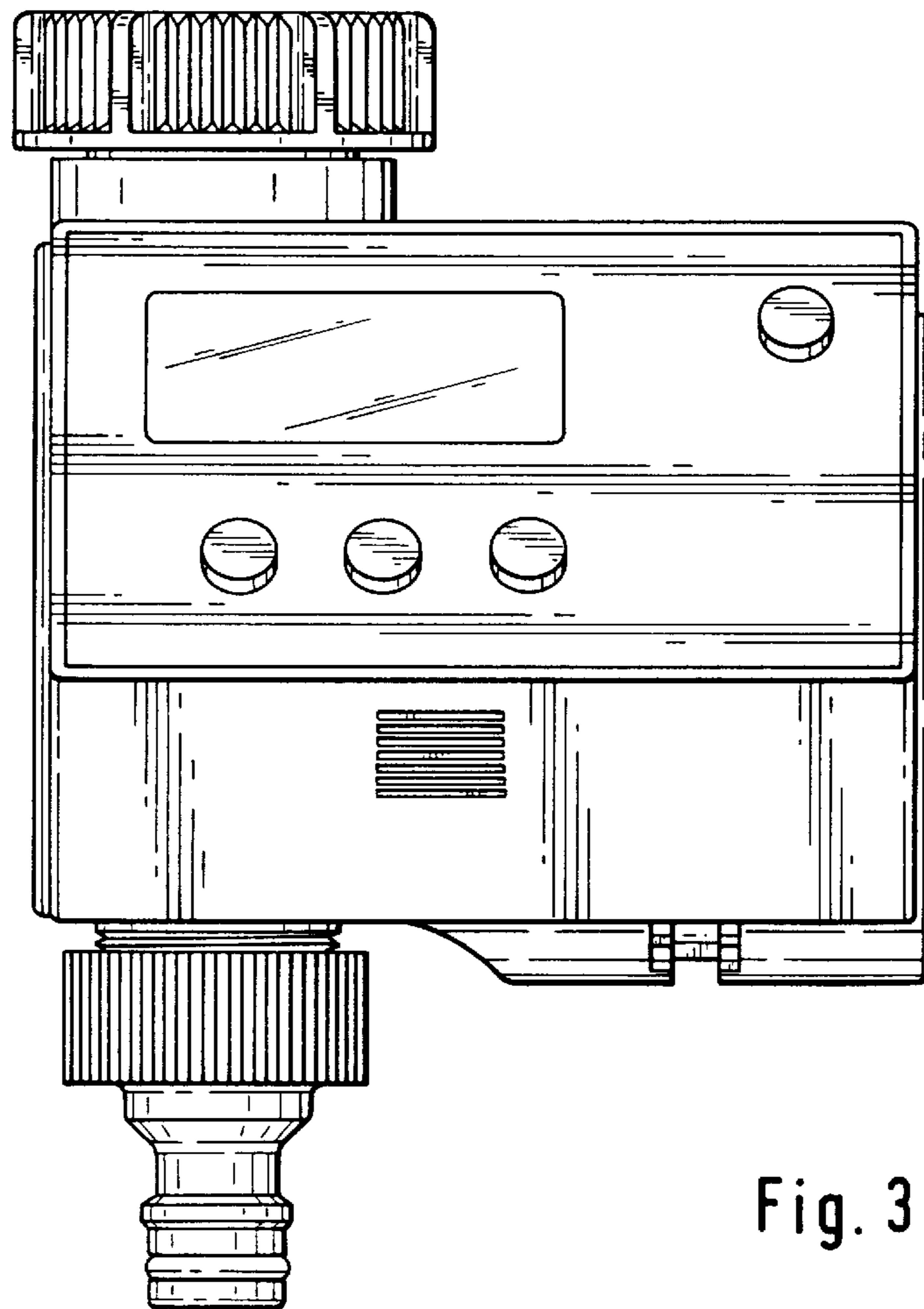


Fig. 3

Fig. 4

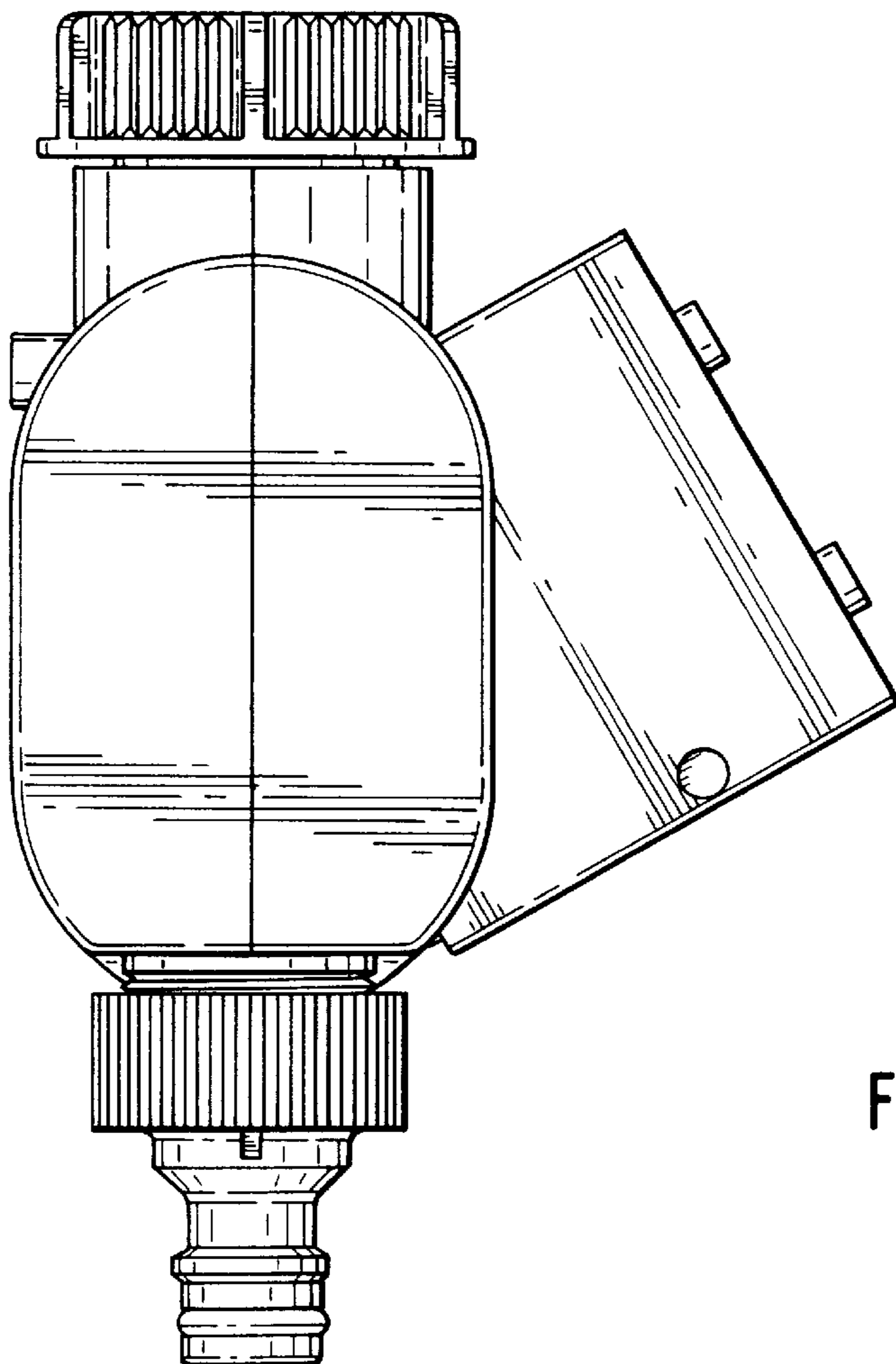
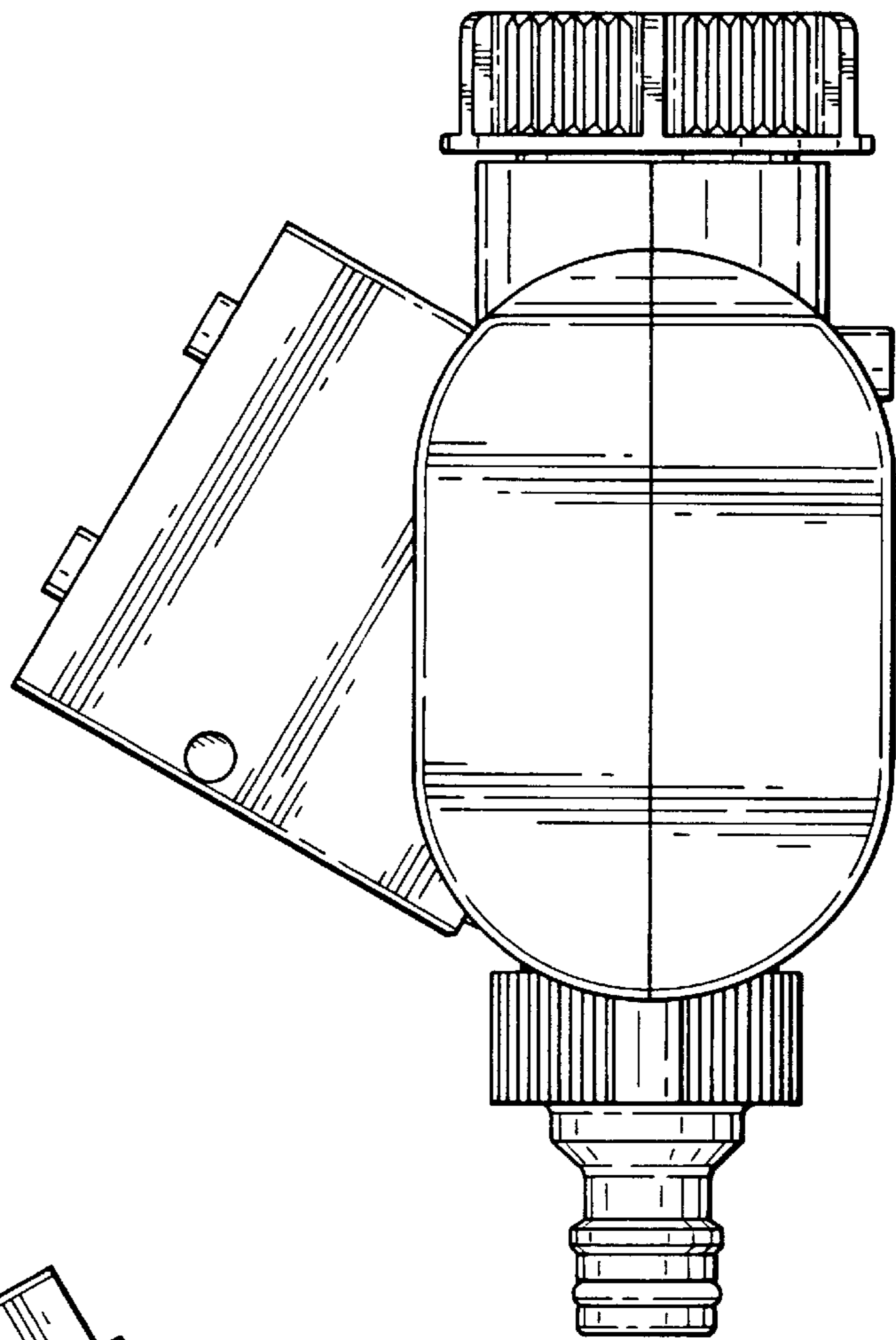


Fig. 5

Fig. 6

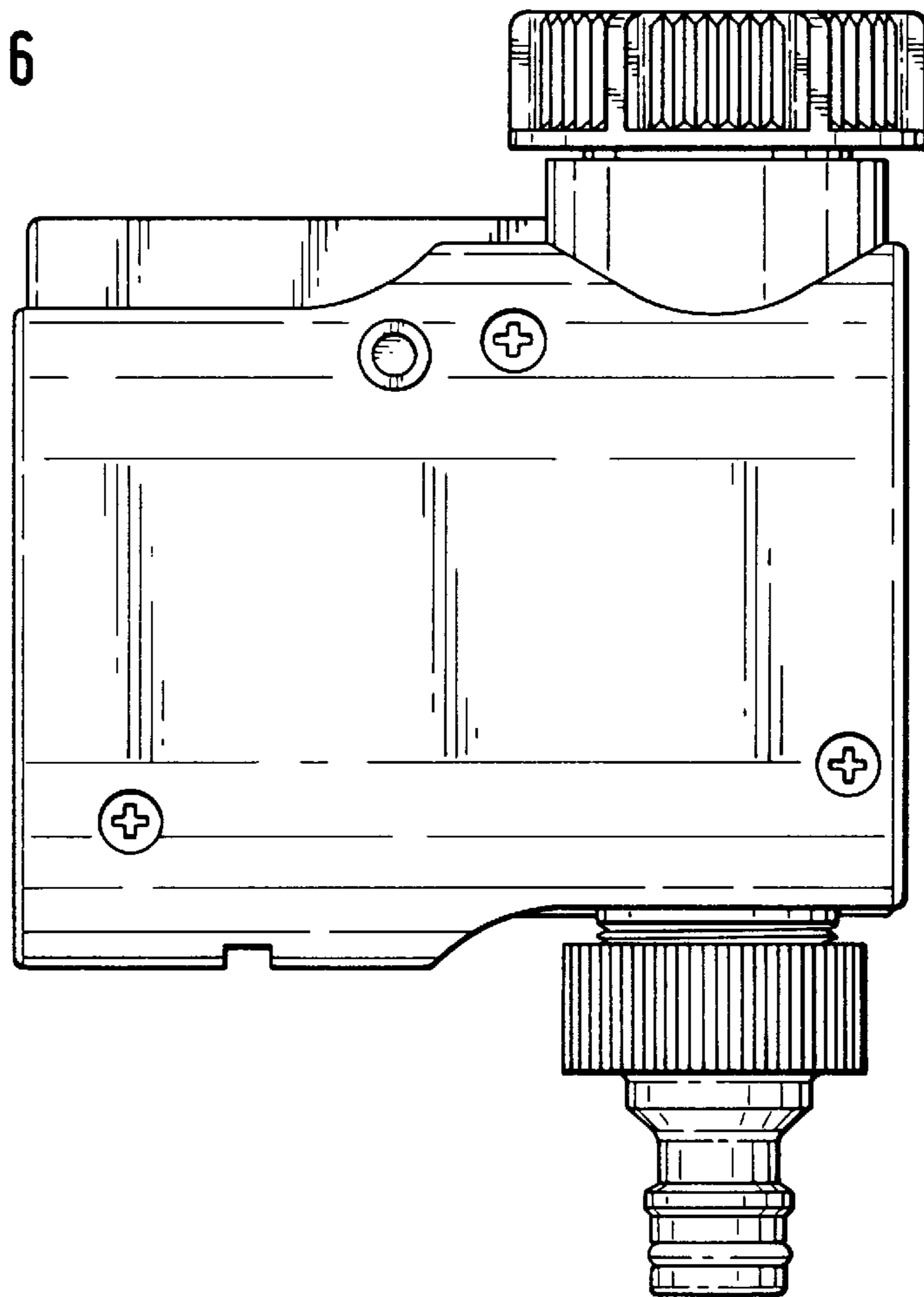


Fig. 7

