

US00D430042S

# United States Patent [19] Schopfer

[11] **Patent Number: Des. 430,042**

[45] **Date of Patent: \*\* Aug. 29, 2000**

[54] **WATCH CASE AND BRACELET**

[75] Inventor: **Eddy Schopfer**, Gorgier, Switzerland

[73] Assignee: **Tag Heuer S.A.**, Marin, Switzerland

[\*\*] Term: **14 Years**

[21] Appl. No.: **29/112,279**

[22] Filed: **Oct. 12, 1999**

[30] **Foreign Application Priority Data**

Apr. 23, 1999 [CH] Switzerland ..... DMA/004511

[51] **LOC (7) Cl.** ..... **10-02**

[52] **U.S. Cl.** ..... **D10/32**

[58] **Field of Search** ..... D10/1-40, 122-132;  
D11/3-25; 63/1.1, 3, 5, 11; 368/276-277,  
280-282, 285

[56] **References Cited**

**U.S. PATENT DOCUMENTS**

D. 309,113 7/1990 Schoepfer ..... D10/32

- D. 359,916 7/1995 Iida ..... D10/32
- D. 363,029 10/1995 Magninat ..... D10/39
- D. 380,395 7/1997 Lassigne ..... D10/32
- D. 417,160 11/1999 Fedele ..... D10/32
- D. 417,403 12/1999 Fedele ..... D10/32

*Primary Examiner*—Nelson C. Holtje  
*Attorney, Agent, or Firm*—Stroock & Stroock & Lavan LLP

[57] **CLAIM**

The ornamental design for a watch case and bracelet, as shown.

**DESCRIPTION**

FIG. 1 is a bottom, front and right-side perspective view of a watch case and bracelet in accordance with the invention; FIG. 2 is a front elevational view thereof; FIG. 3 is a rear elevational view thereof, the right side being a mirror image; FIG. 4 is a top plan view thereof; FIG. 5 is a left side elevational view thereof; FIG. 6 is a right side elevational view thereof; and, FIG. 7 is a bottom plan view thereof.

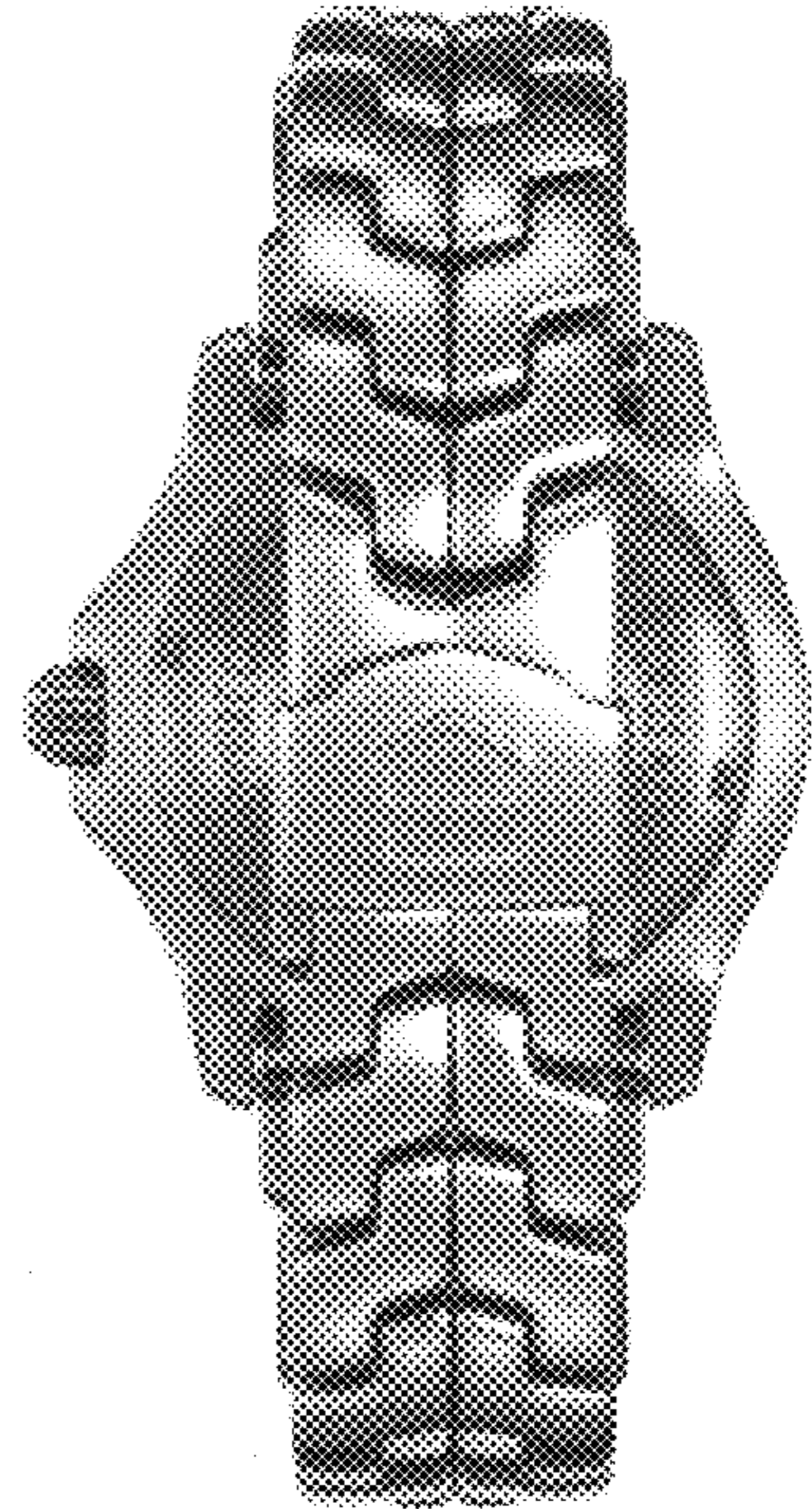
**1 Claim, 3 Drawing Sheets**



*FIG. 1*

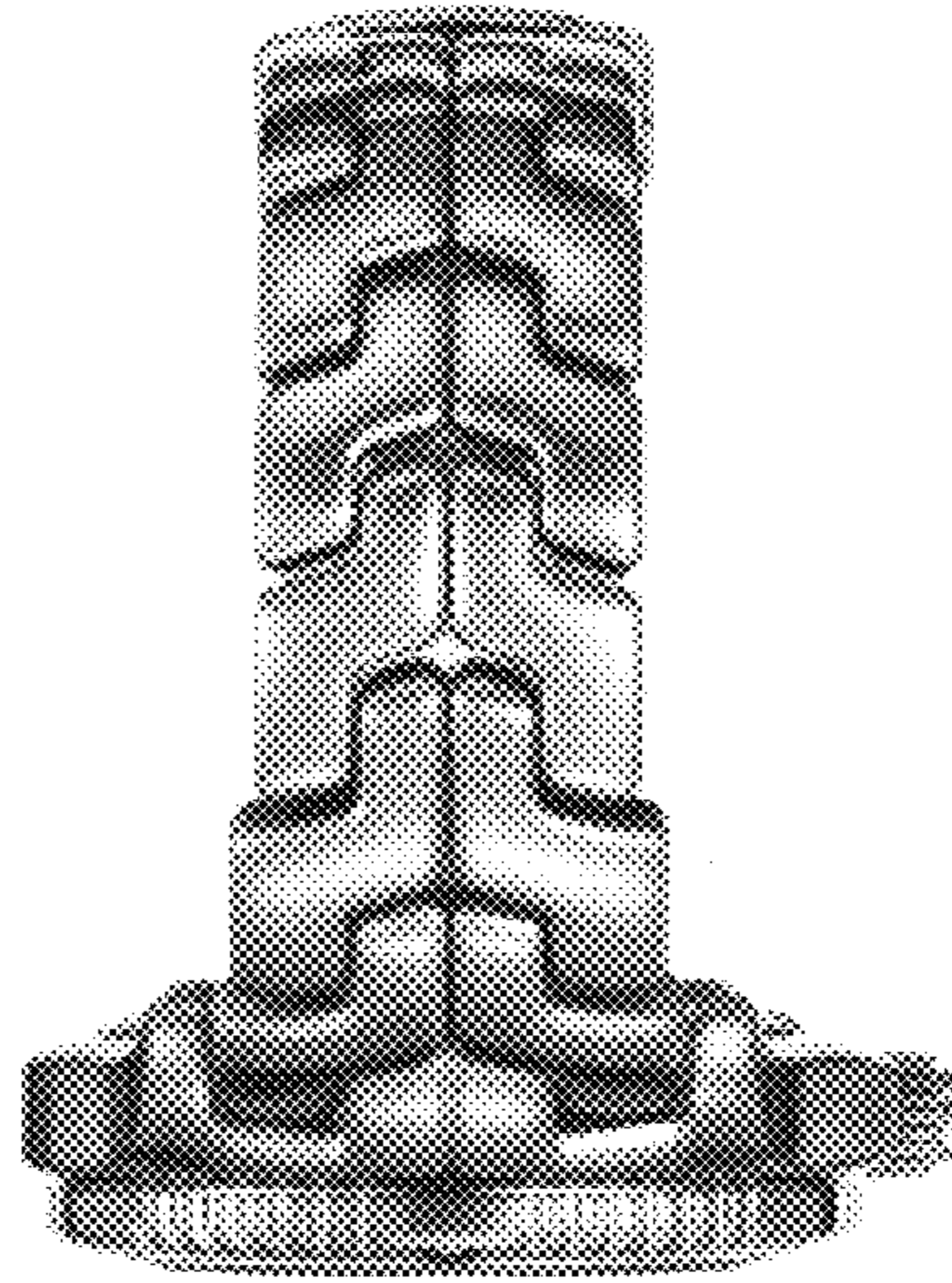


*FIG. 2*

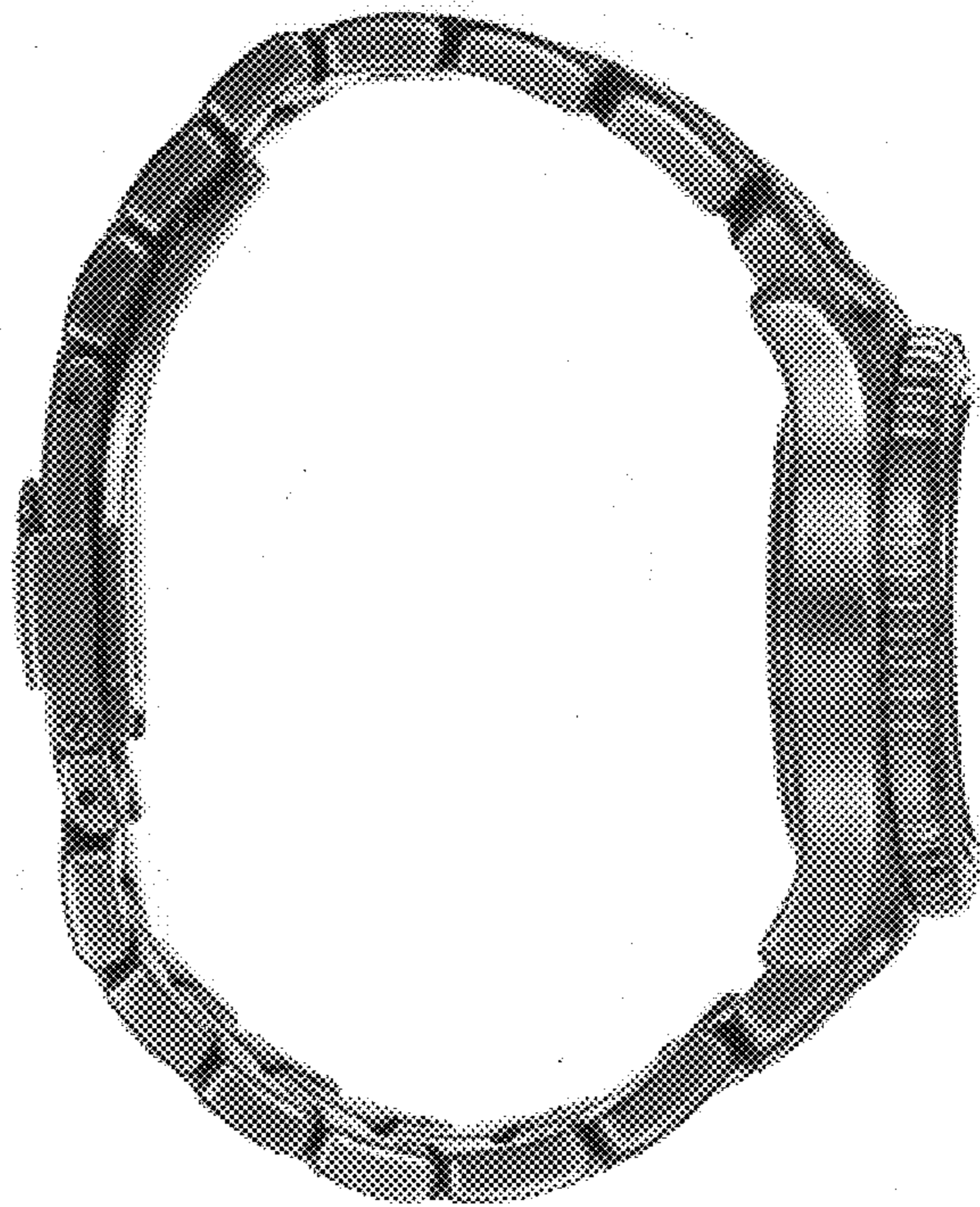


*FIG. 3*

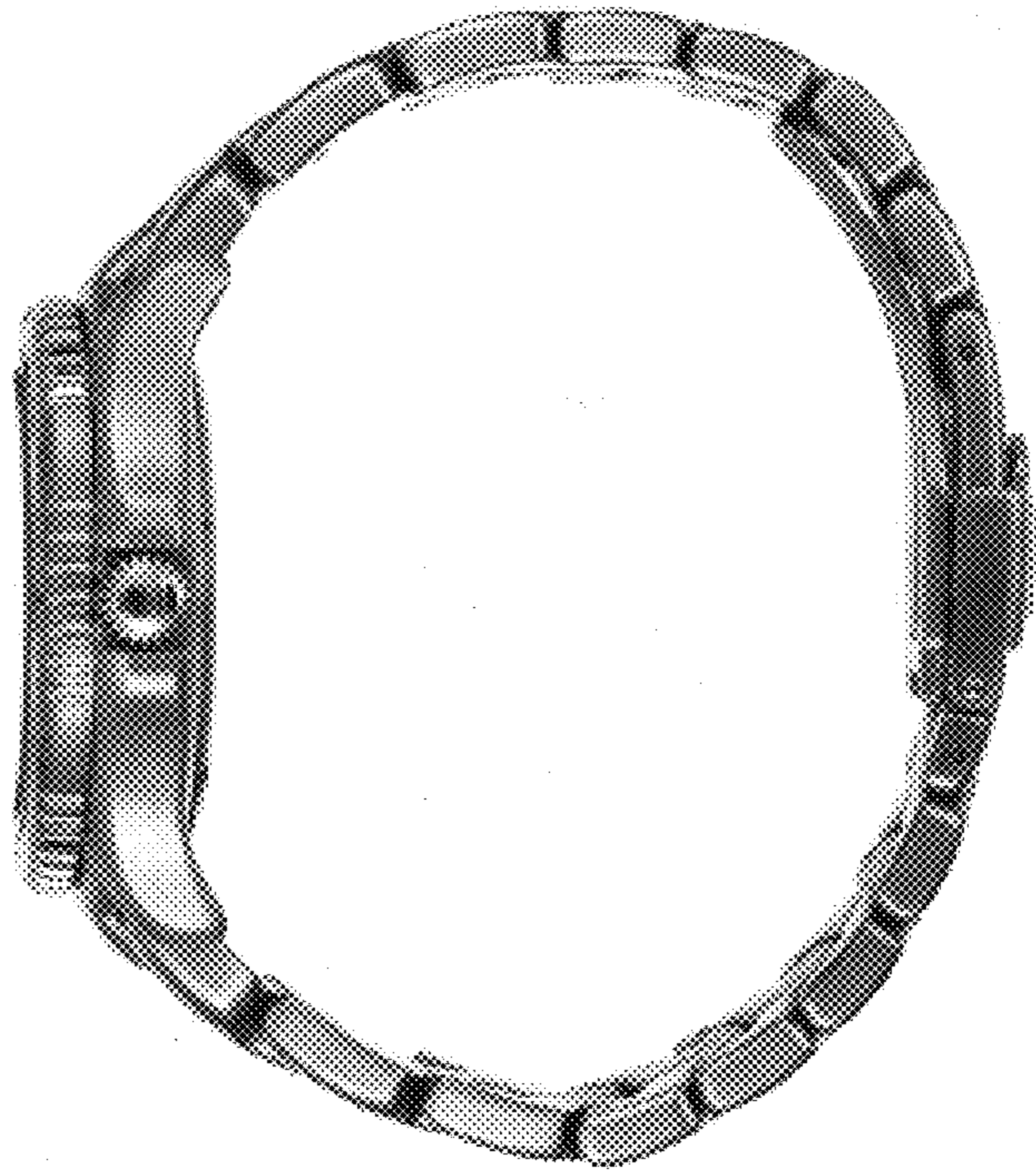
*FIG. 4*



*FIG. 5*



*FIG. 6*



*FIG. 7*

