



US00D430037S

United States Patent [19]
Granai

[11] **Patent Number: Des. 430,037**

[45] **Date of Patent: ** Aug. 29, 2000**

[54] **COMBINED BOTTLE AND CAP**

DESCRIPTION

[75] Inventor: **Robert Granai**, Paris, France

[73] Assignee: **Guerlain, S.A.**, Paris, France

[**] Term: **14 Years**

[21] Appl. No.: **29/118,503**

[22] Filed: **Feb. 10, 2000**

[51] **LOC (7) Cl.** **09-01**

[52] **U.S. Cl.** **D9/544; D9/300; D9/567;**
D9/569

[58] **Field of Search** D9/544, 562, 566,
D9/567, 569, 570, 516, 300, 556, 557;
215/382-384

[56] **References Cited**

U.S. PATENT DOCUMENTS

D. 99,629	5/1936	Mulhens	D9/570
D. 99,819	5/1936	McLaughlin	D9/570
D. 105,808	8/1937	Schein	D9/570
D. 109,352	4/1938	Whitaker	D9/545
D. 113,549	2/1939	Chevalier	D9/570
D. 144,500	4/1946	Frederics	D9/544
D. 333,425	2/1993	Boussiquet	D9/300

Primary Examiner—Lucy Lieberman

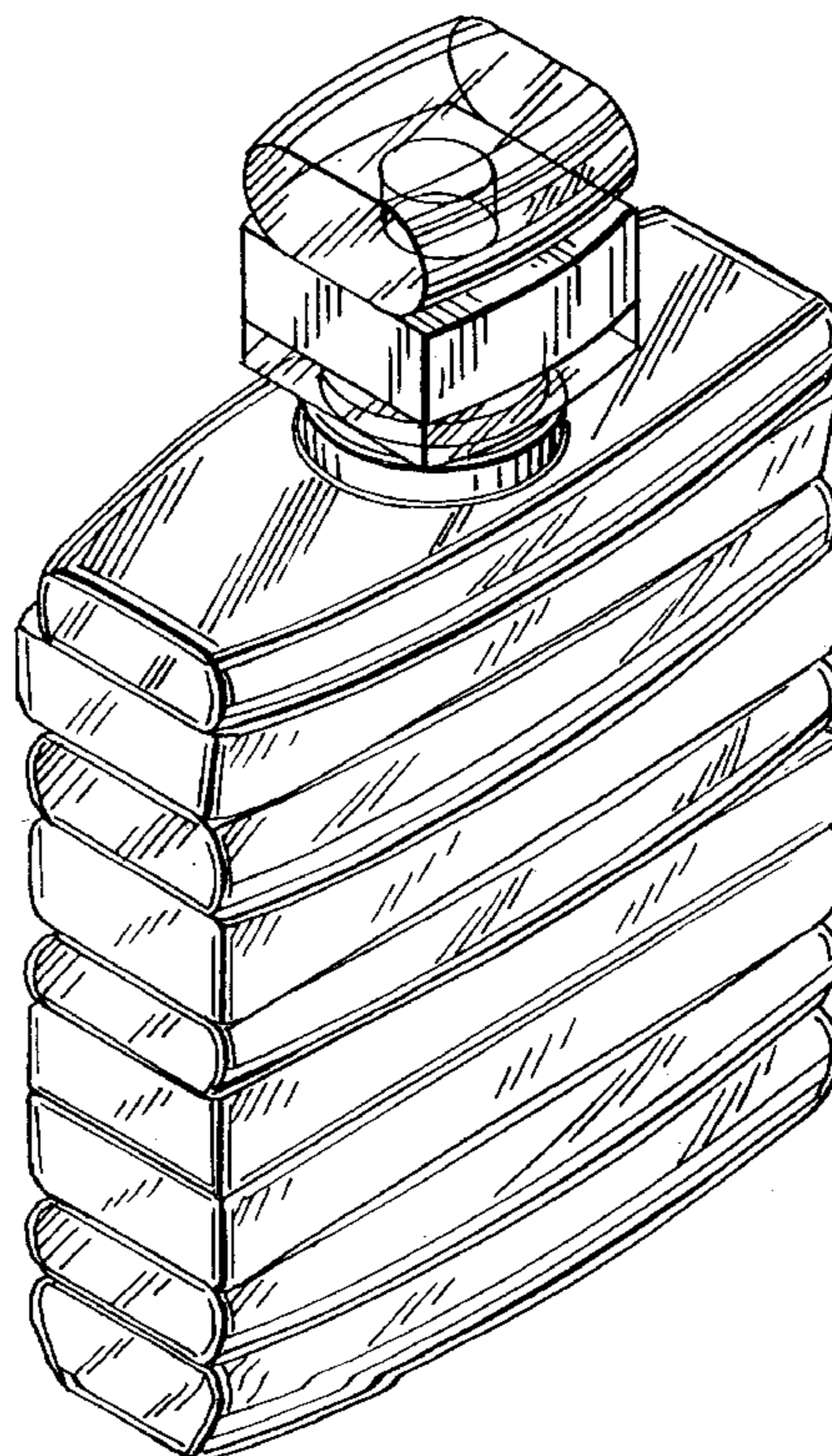
Attorney, Agent, or Firm—Lawrence E. Apolzon; Fross
Zelnick Lehrman & Zissu, P.C.

[57] **CLAIM**

The ornamental design for a combined bottle and cap, as shown and described.

FIG. 1 is a front perspective view of a combined bottle and cap;
 FIG. 2 is a top view;
 FIG. 3 is a front view;
 FIG. 4 is a side view;
 FIG. 5 is a back view;
 FIG. 6 is the other side view;
 FIG. 7 is a bottom view;
 FIG. 8 is a front perspective view of an alternative embodiment with stippling to show frosted glass;
 FIG. 9 is a top view of this alternative embodiment;
 FIG. 10 is a front view of this alternative embodiment;
 FIG. 11 is a side view of this alternative embodiment;
 FIG. 12 is a back view of this alternative embodiment;
 FIG. 13 is the other side view of this alternative embodiment;
 FIG. 14 is a bottom view of this alternative embodiment;
 FIG. 15 is a front perspective view of a second alternative embodiment with stippling to show frosted glass;
 FIG. 16 is a top view of the second alternative embodiment;
 FIG. 17 is a front view of the second alternative embodiment;
 FIG. 18 is a side view of the second alternative embodiment;
 FIG. 19 is a back view of the second alternative embodiment;
 FIG. 20 is the other side view of the second alternative embodiment; and,
 FIG. 21 is a bottom view of the second alternative embodiment.

1 Claim, 9 Drawing Sheets



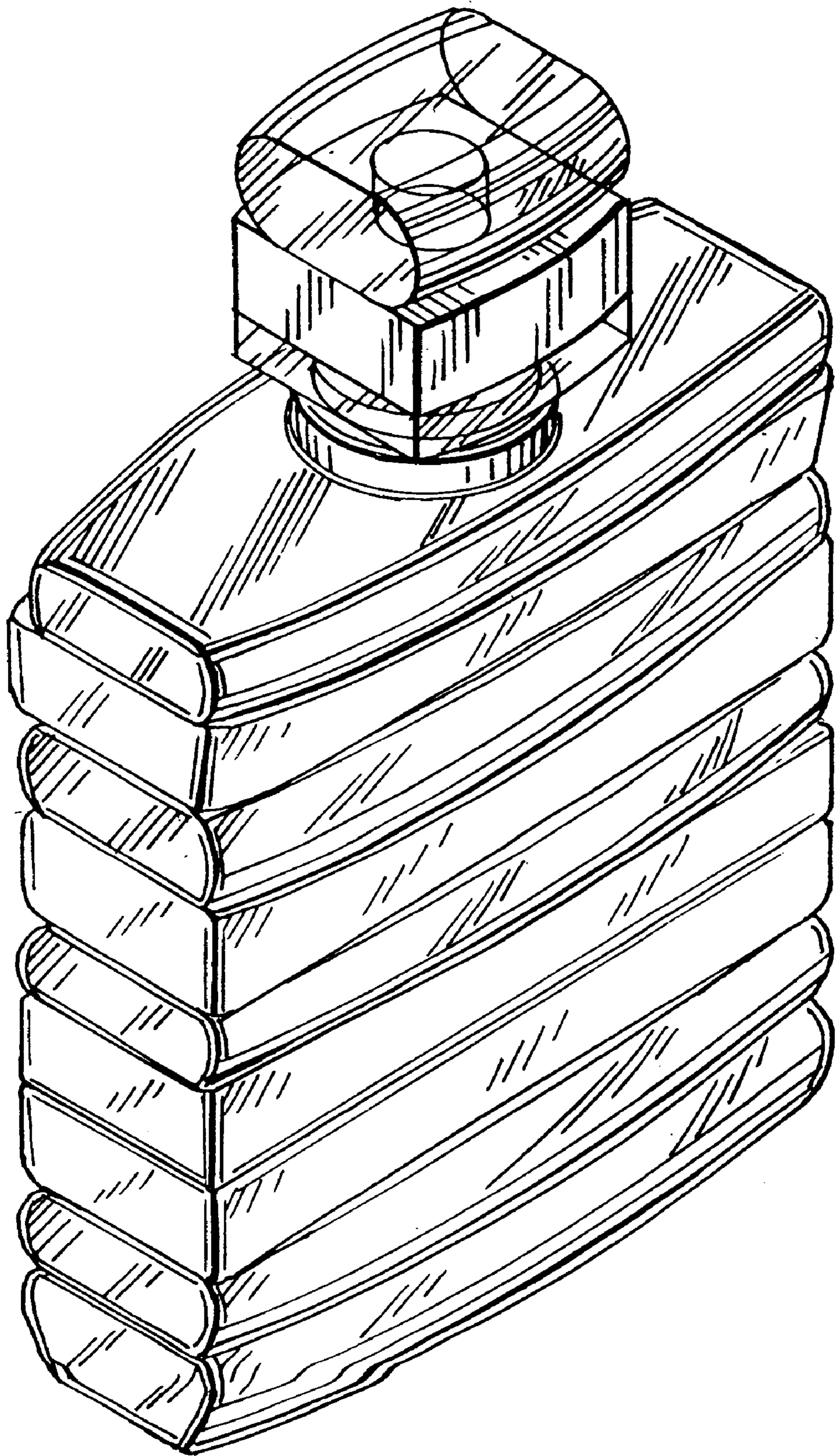


FIG. 1

FIG.2

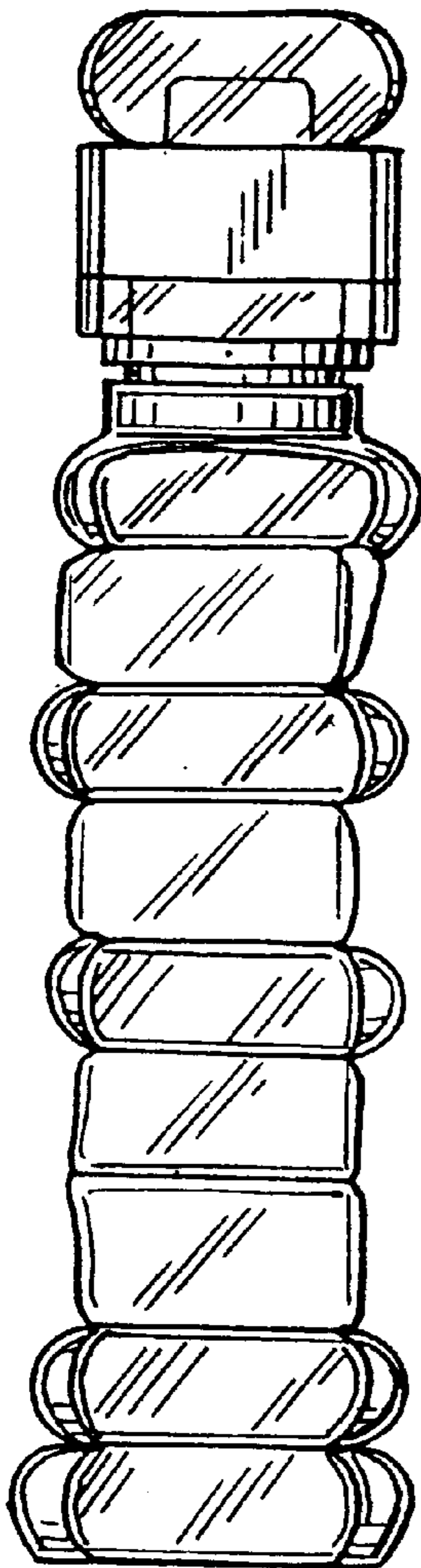
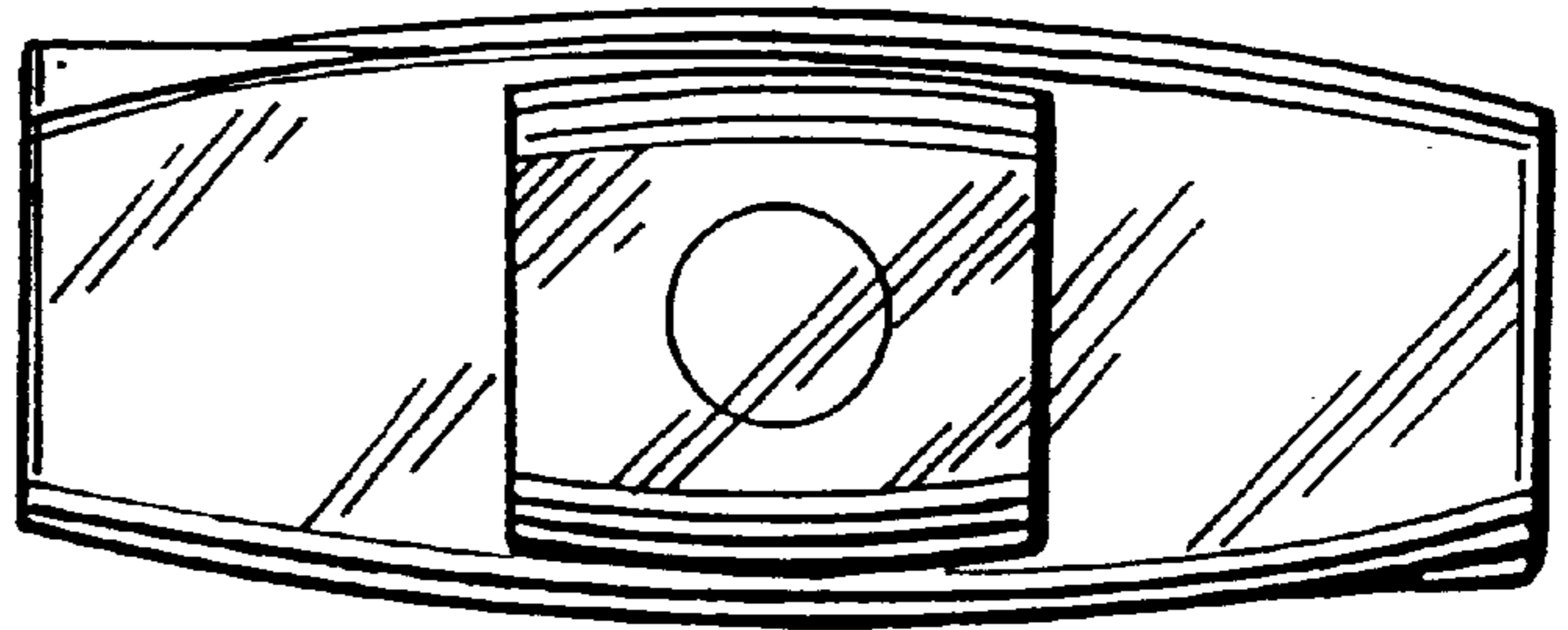


FIG.4

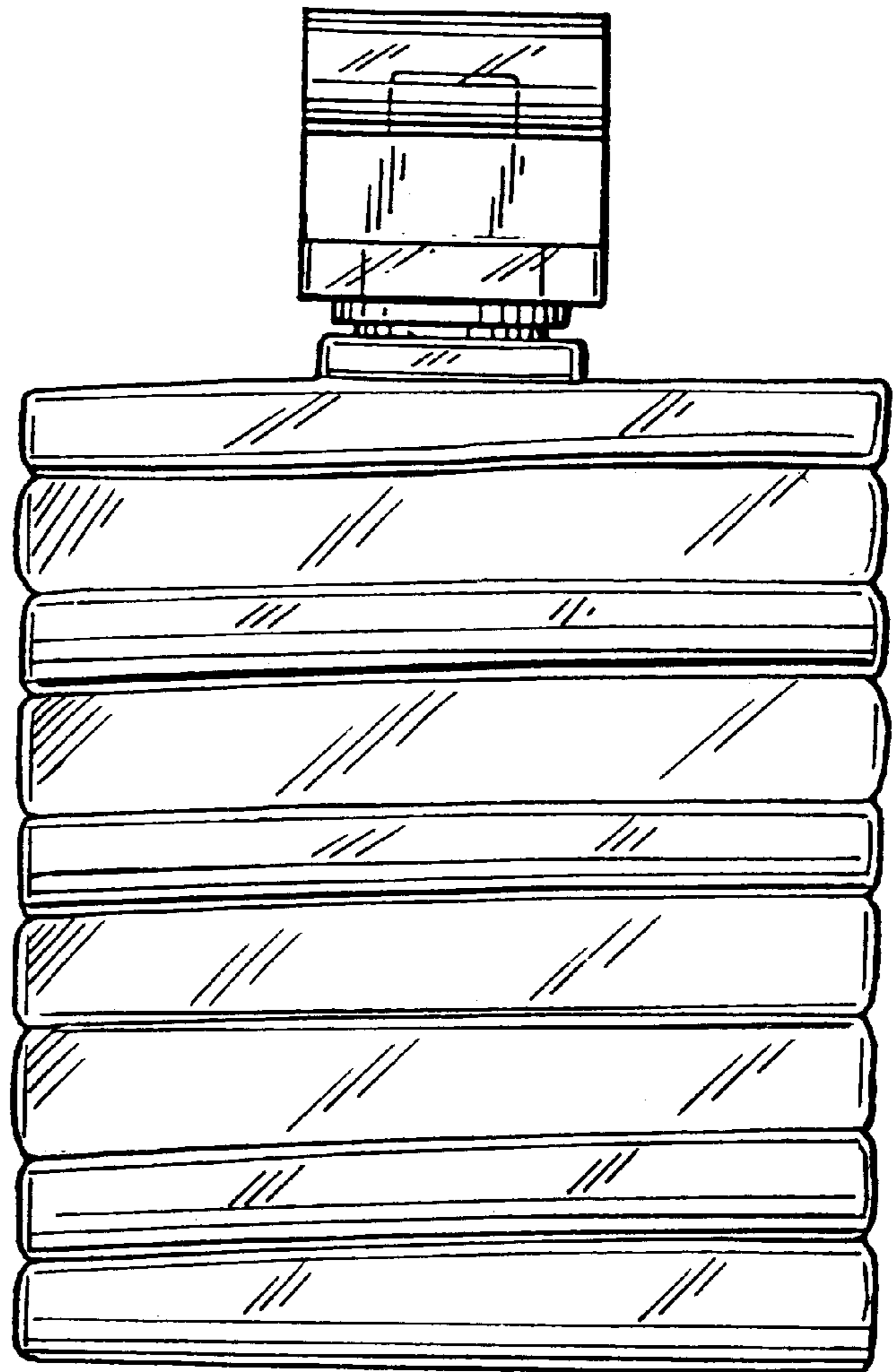


FIG.3

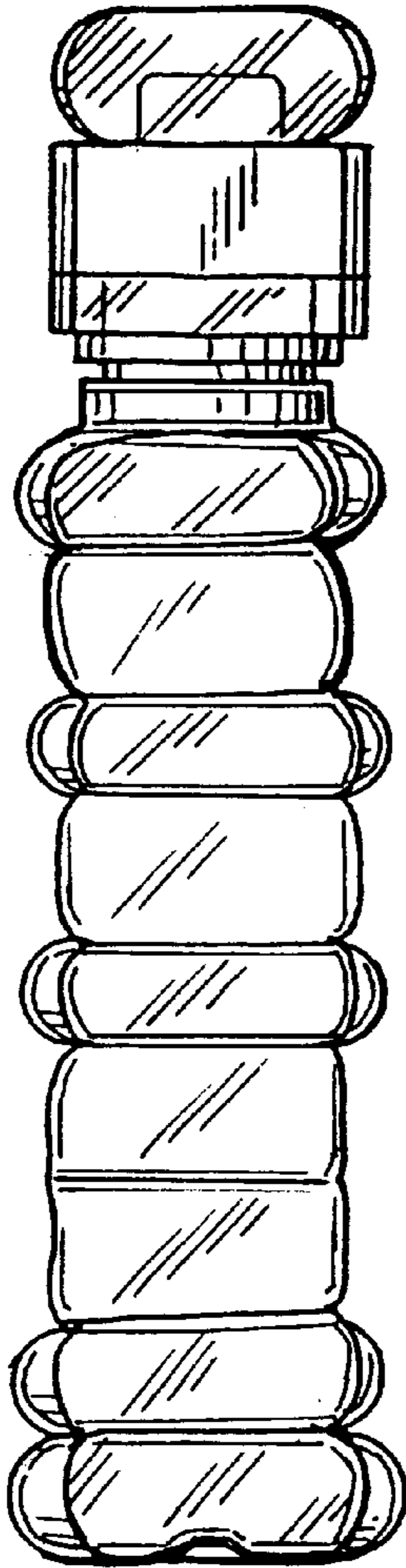


FIG. 6

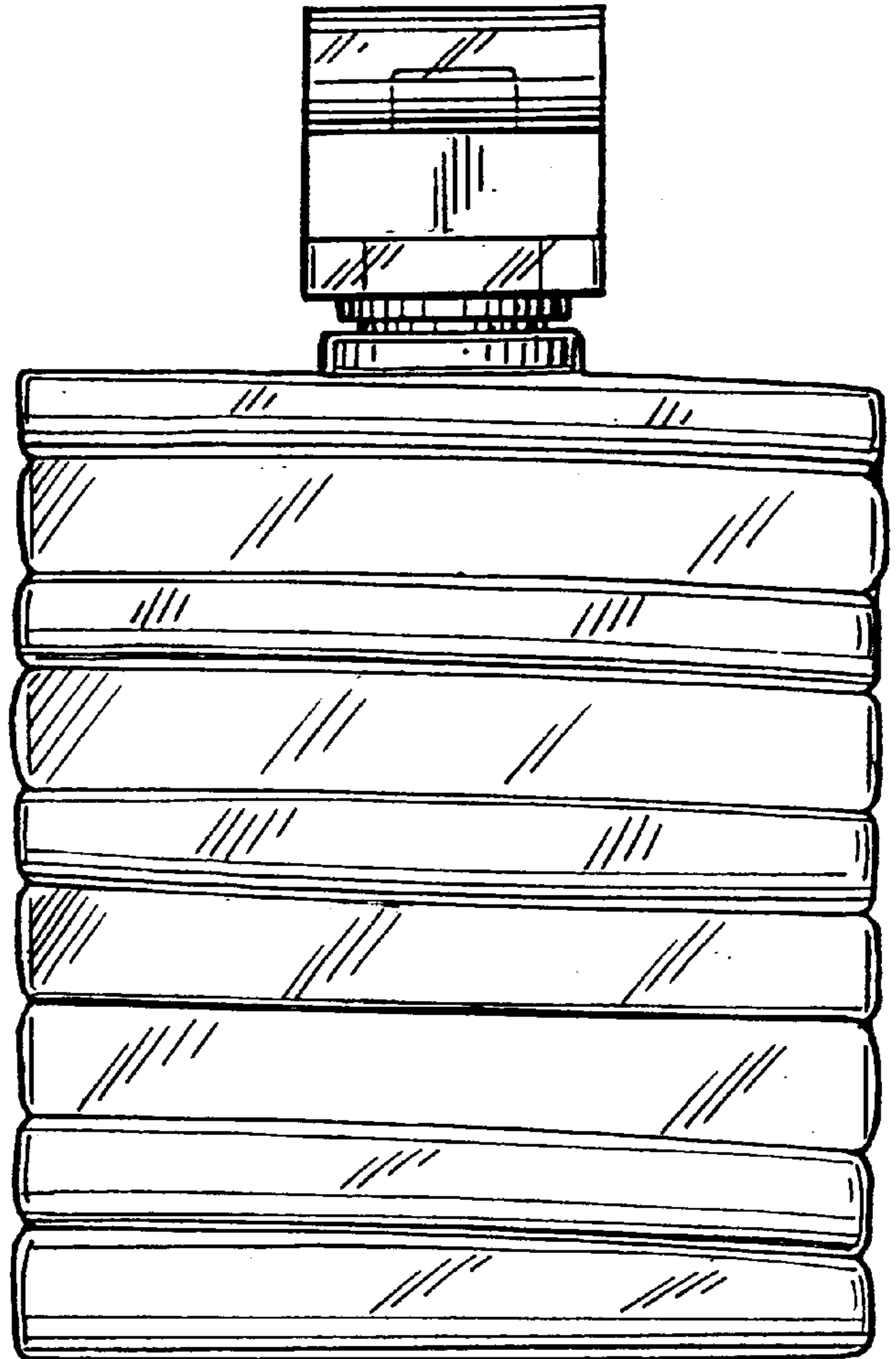


FIG. 5

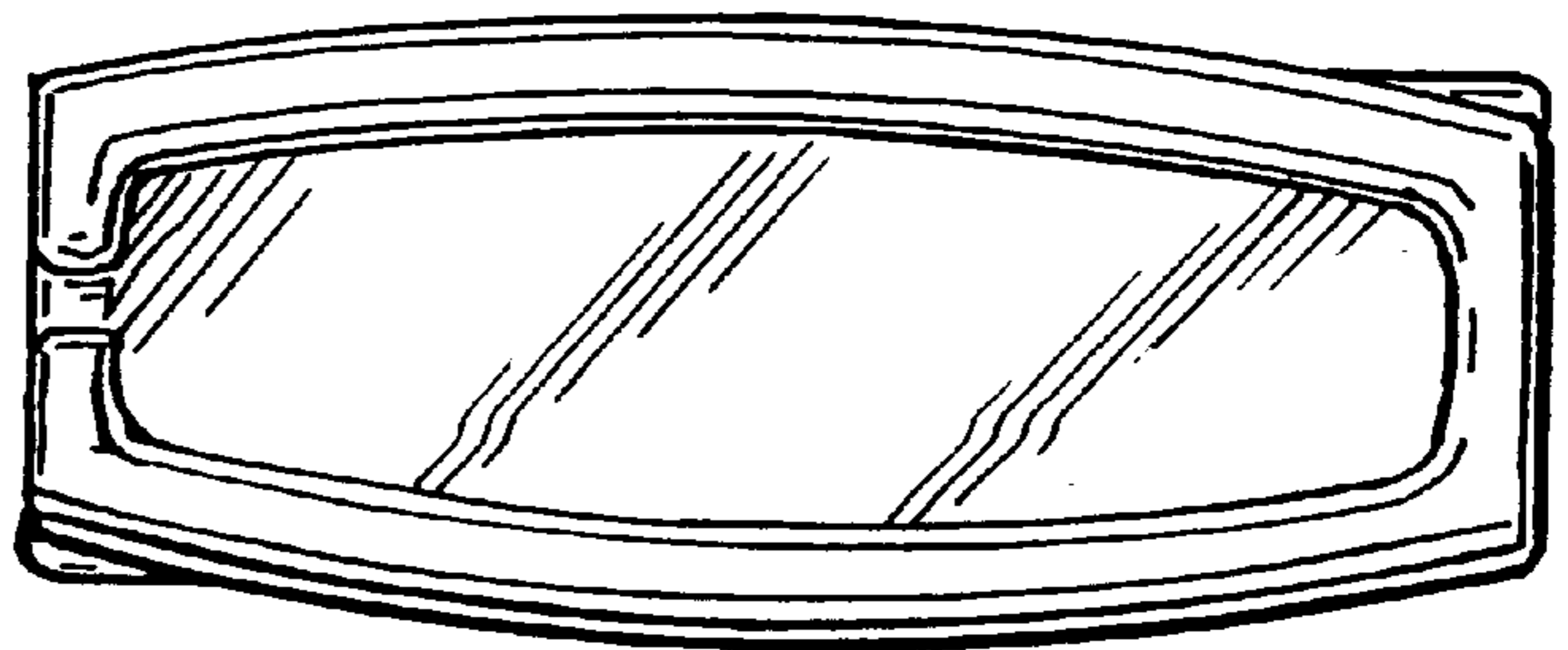


FIG. 7

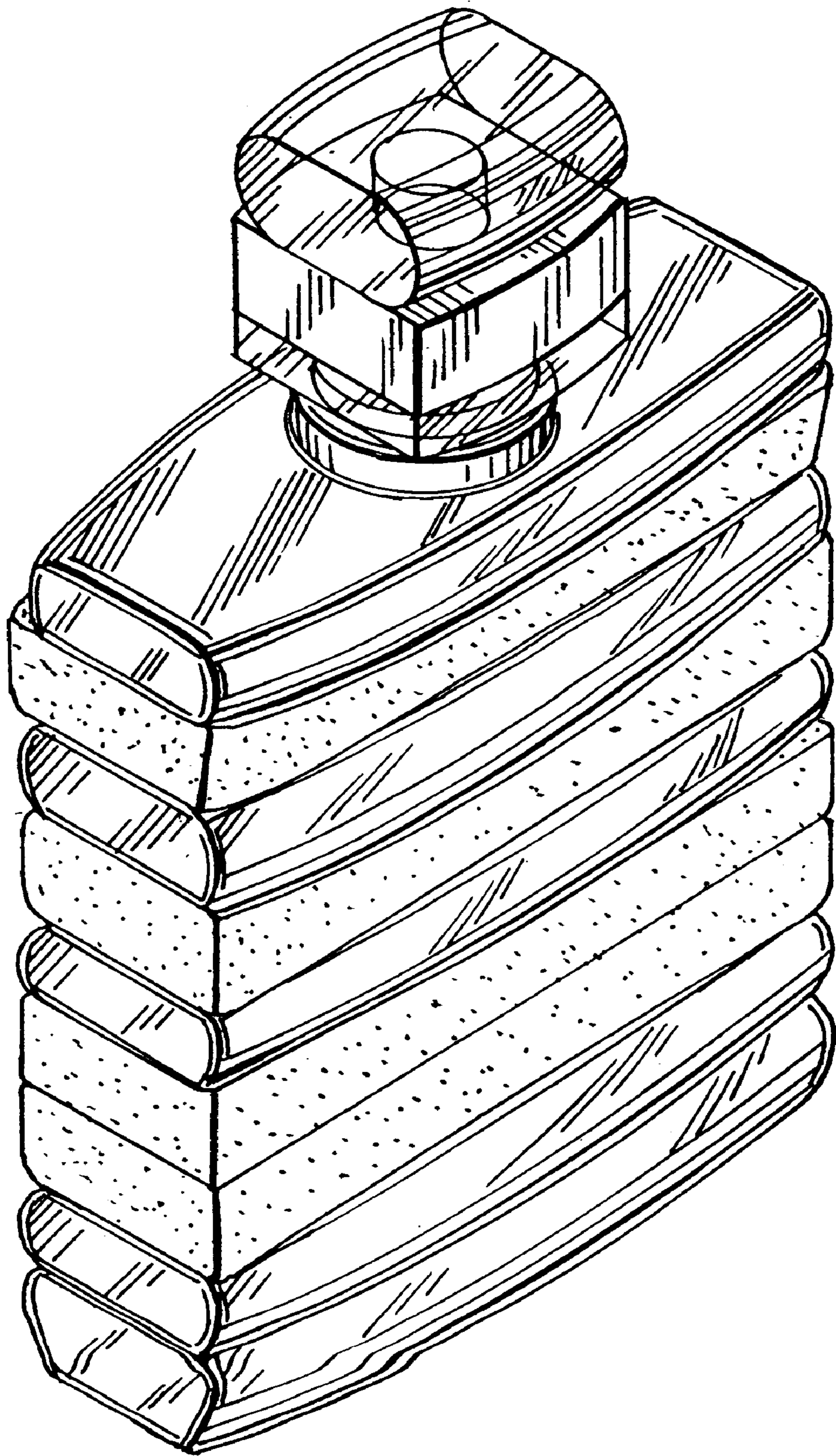


FIG.8

FIG.9

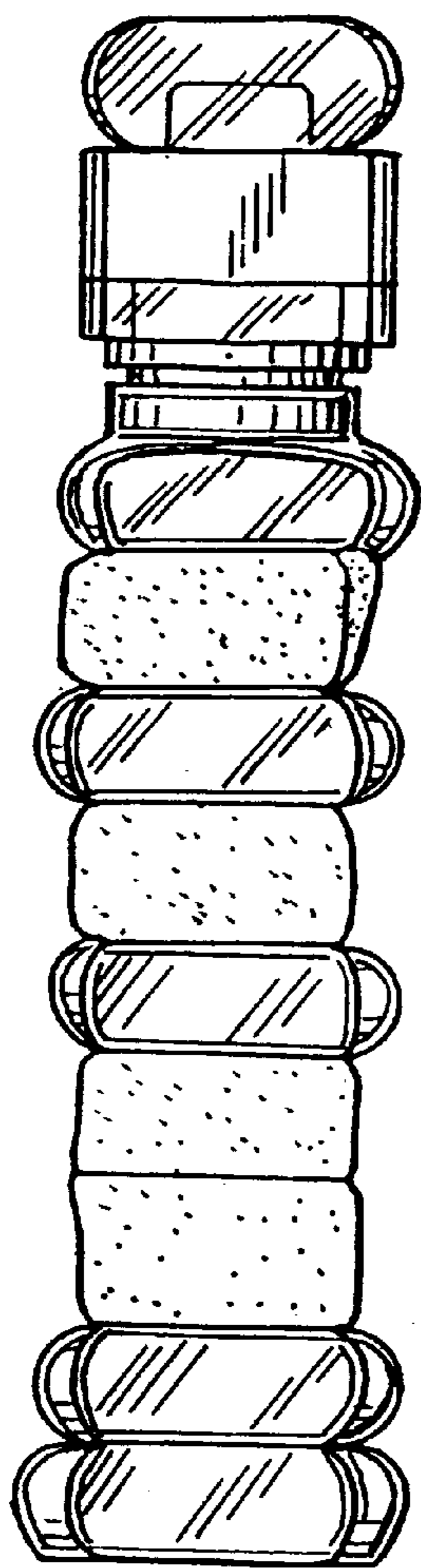
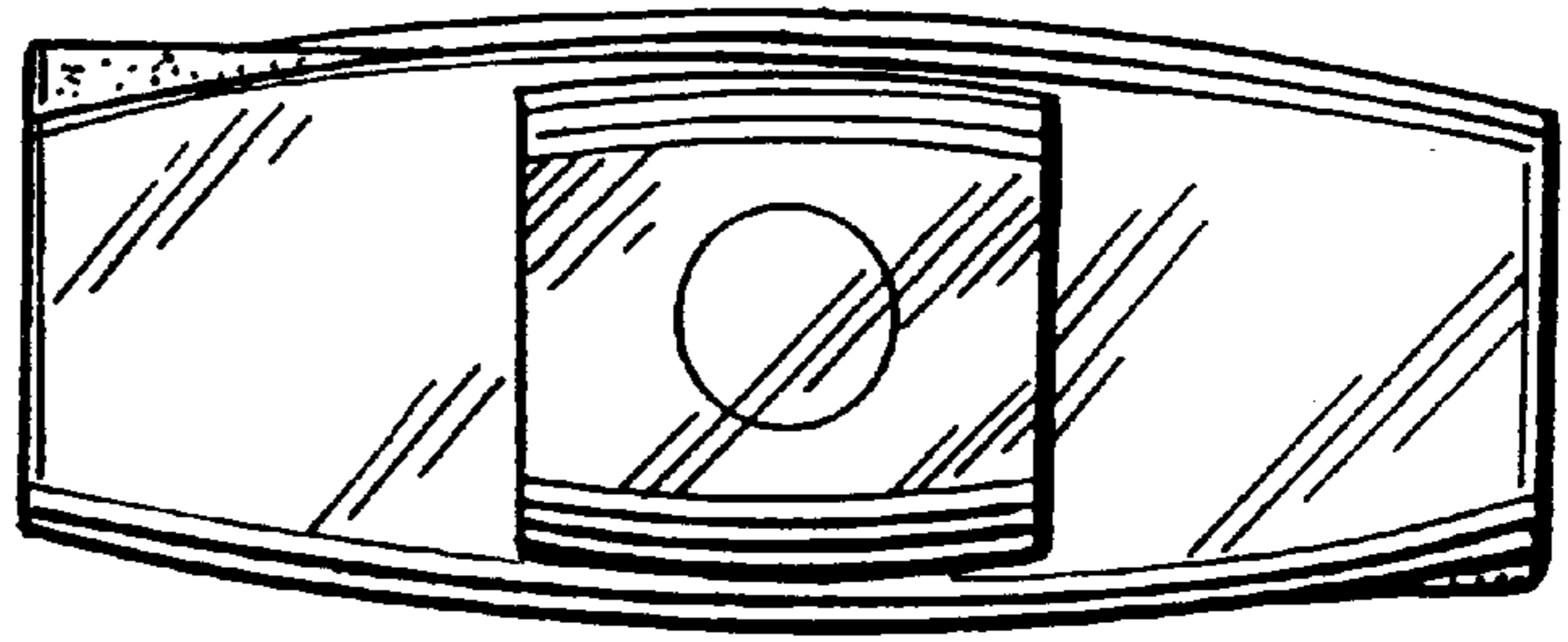


FIG.11

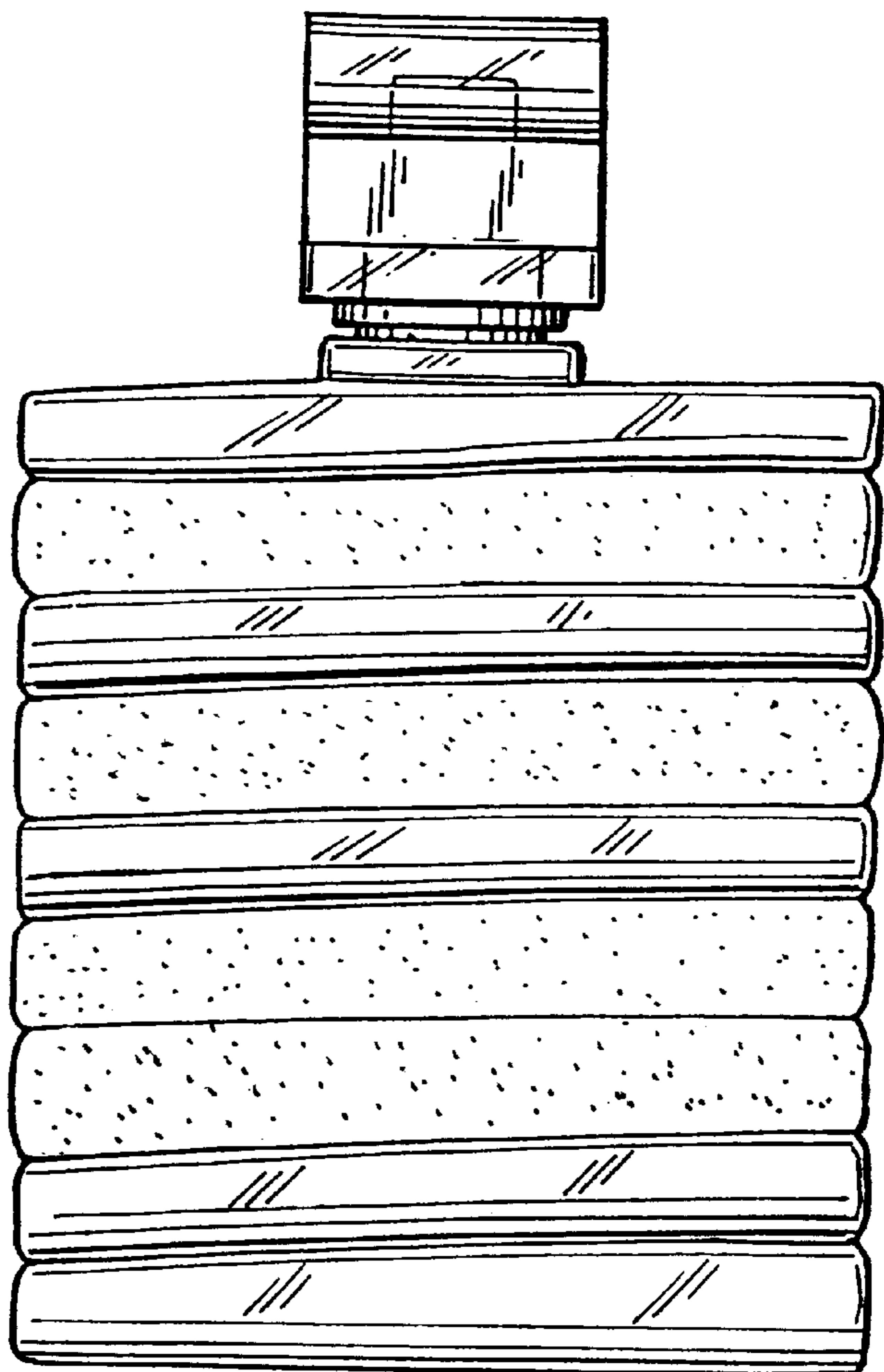


FIG.10

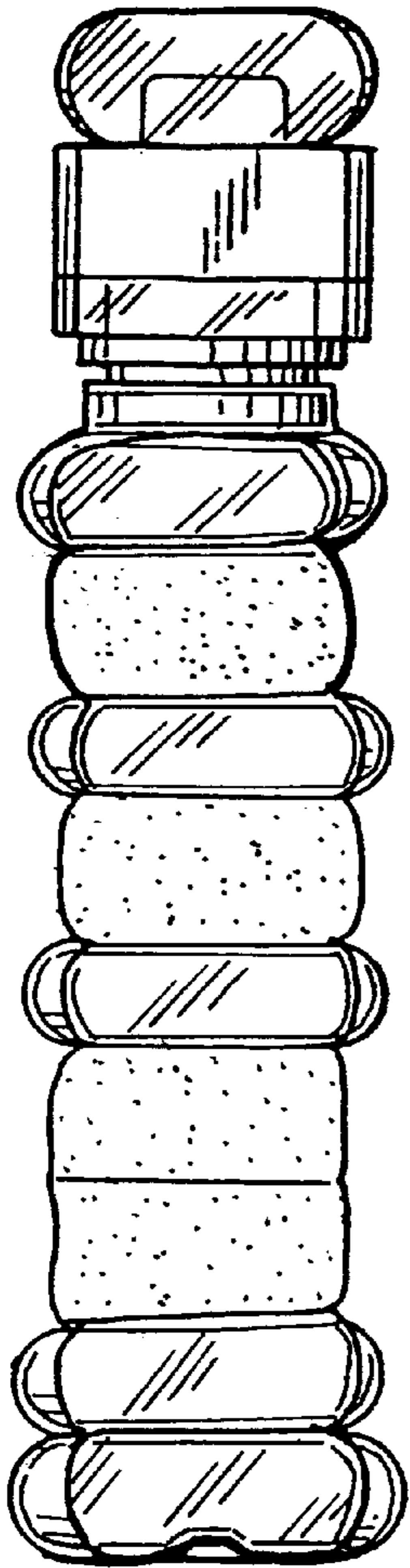


FIG. 13

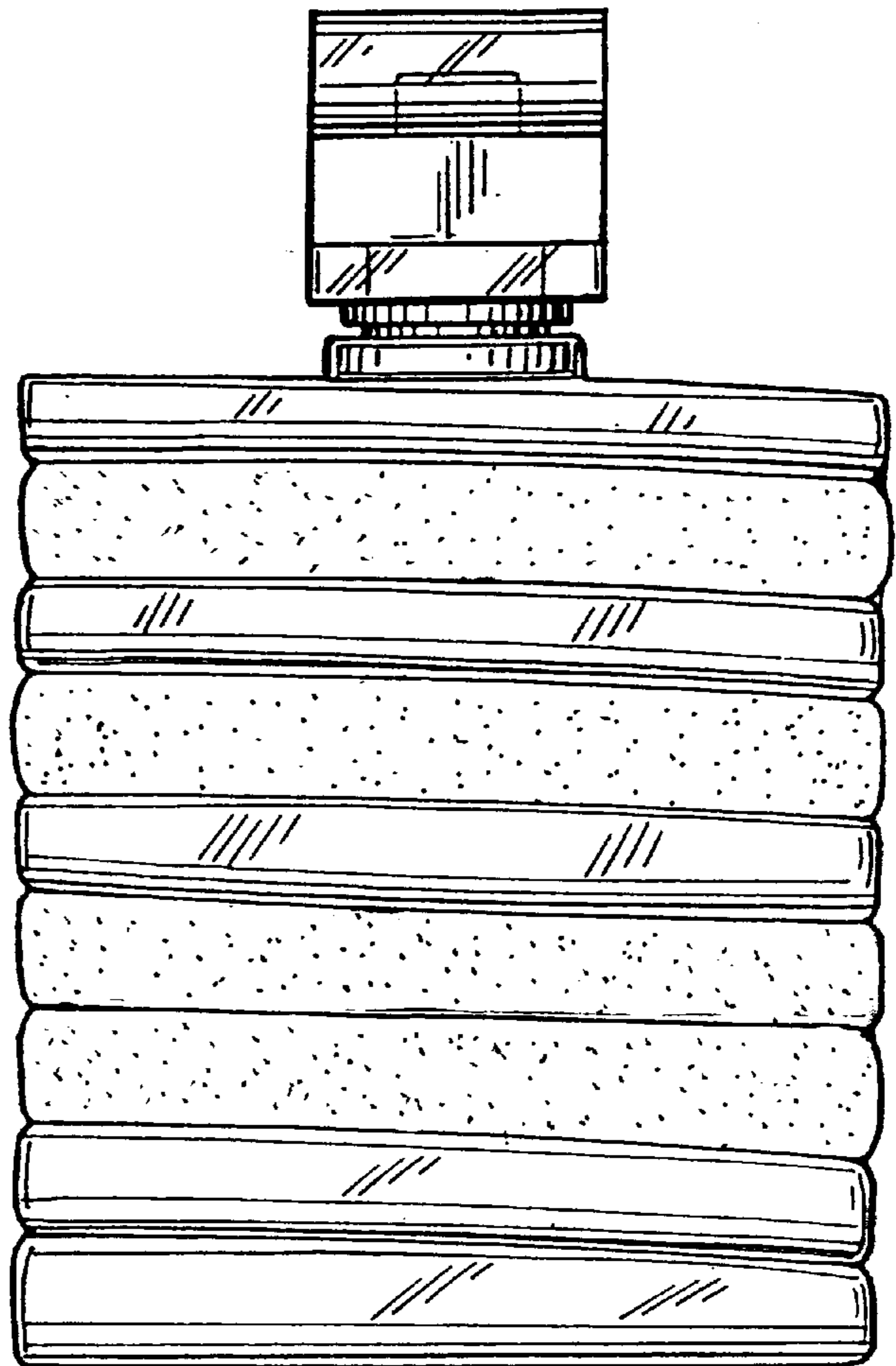


FIG. 12

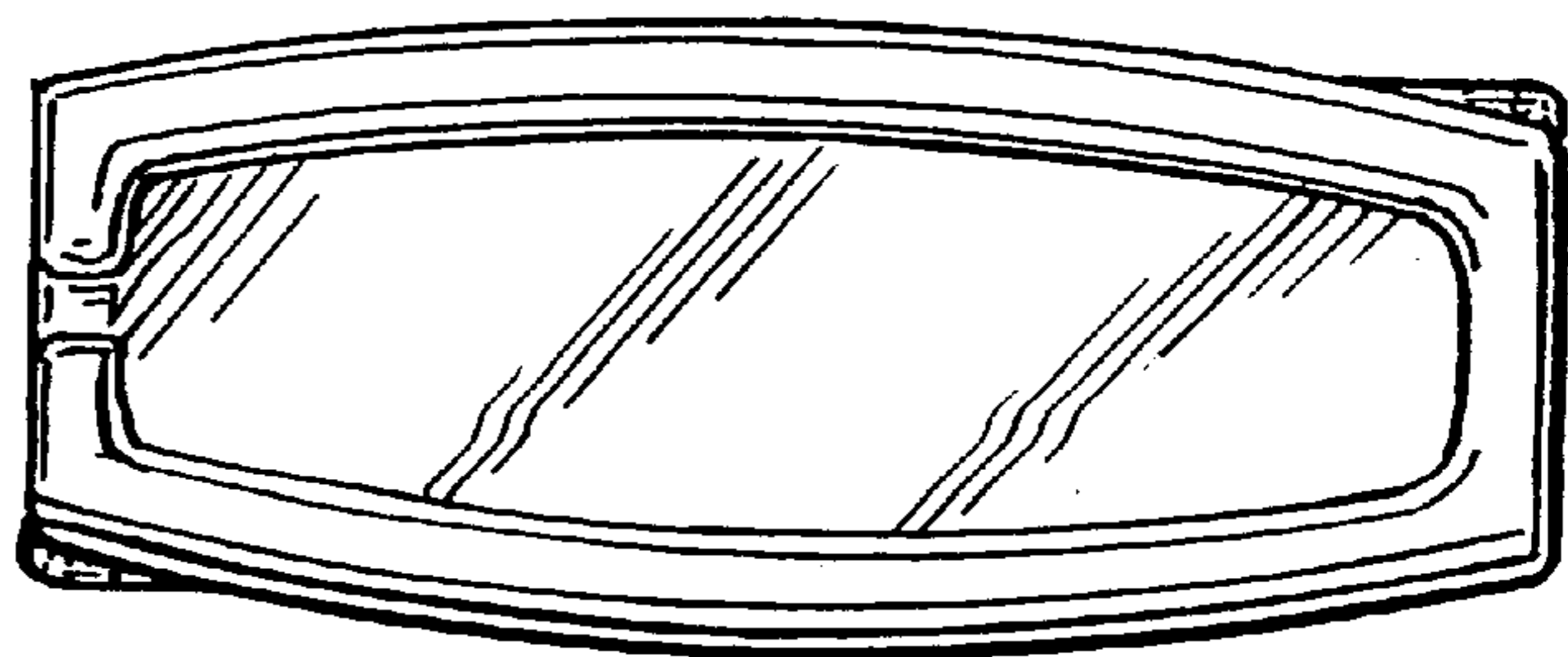


FIG. 14

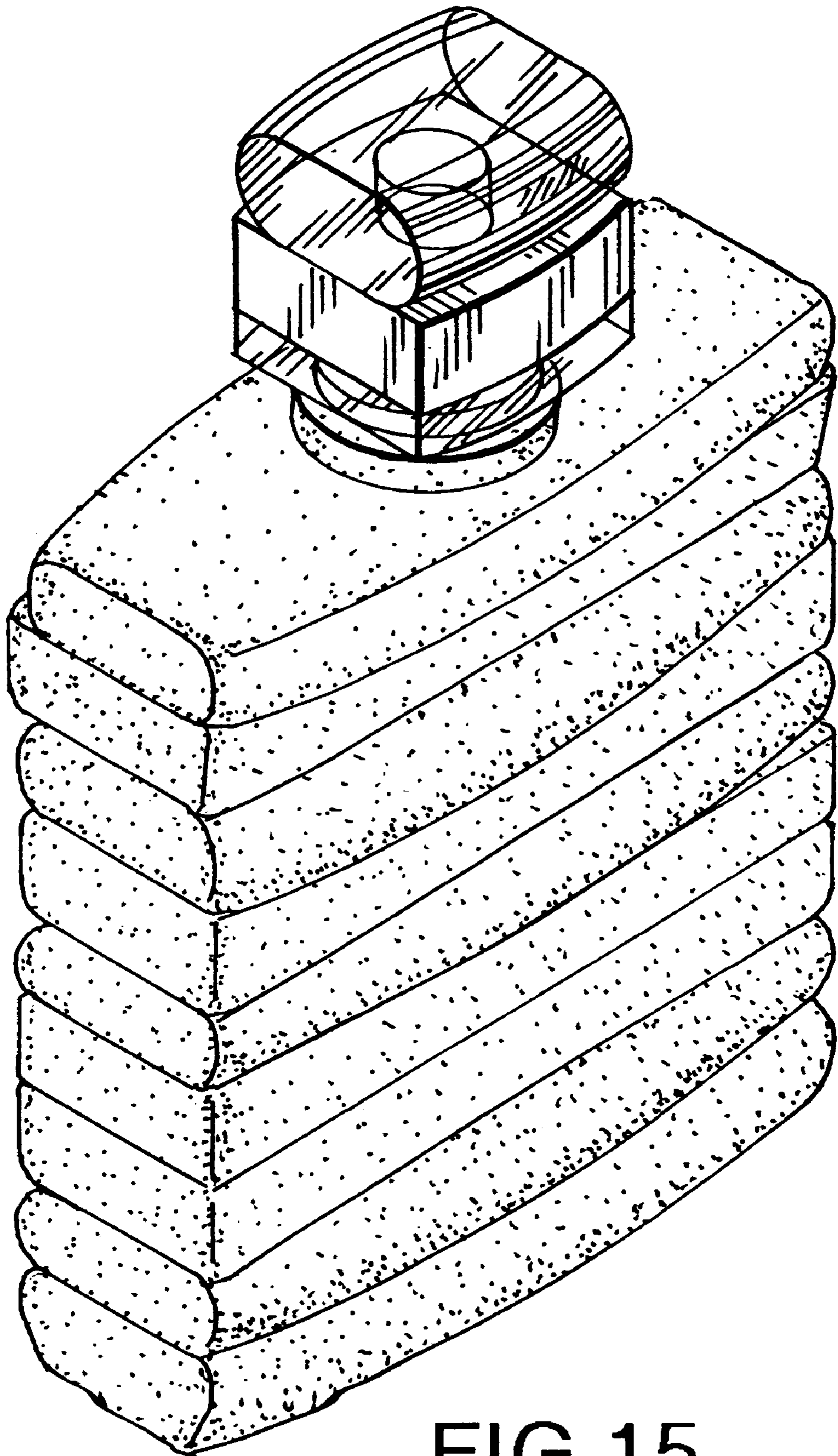


FIG. 15

FIG.16

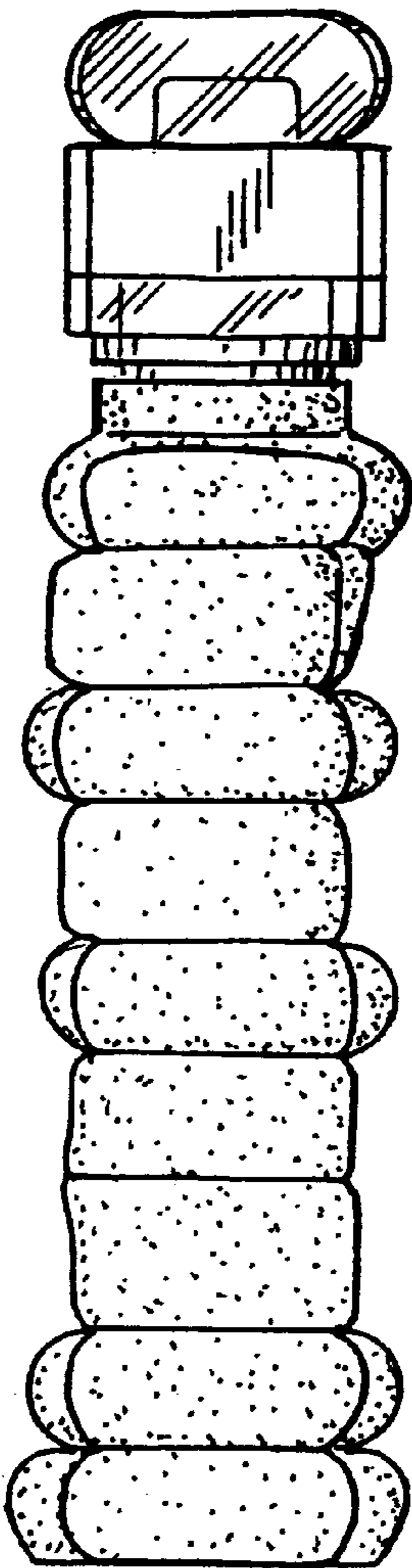
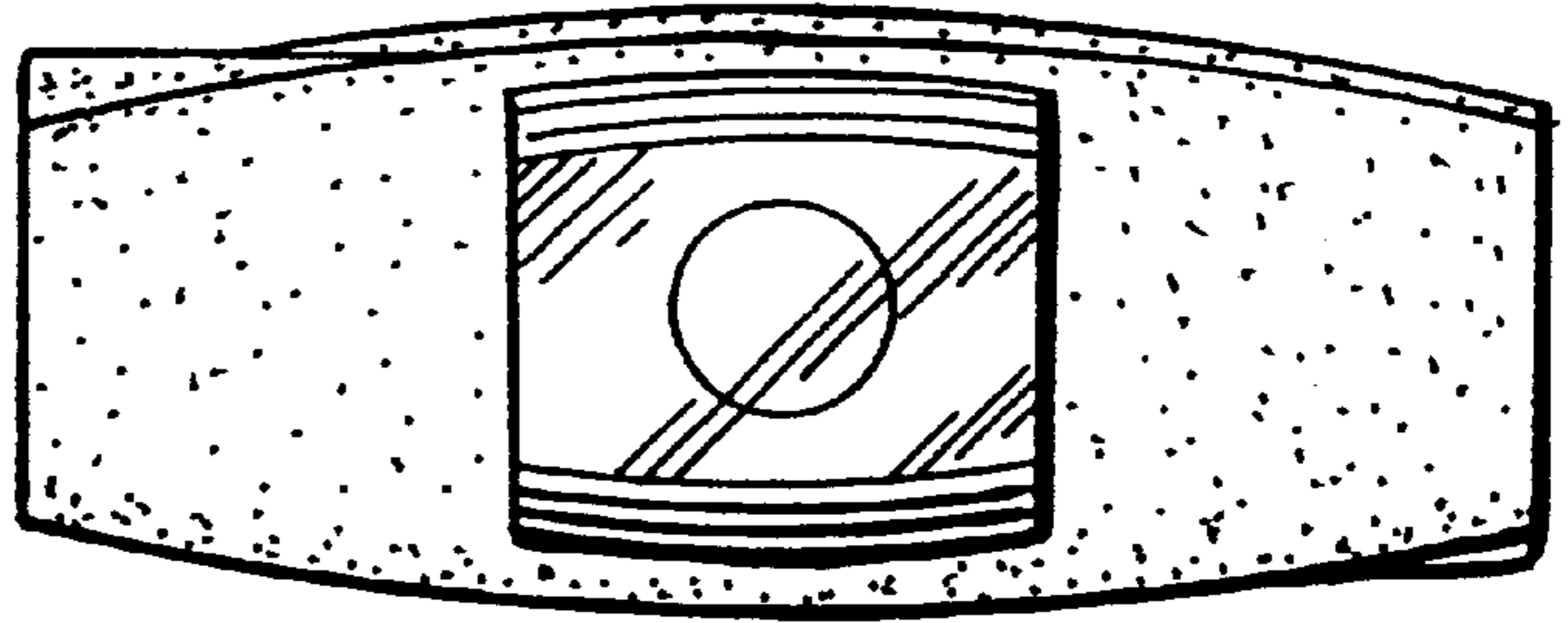


FIG.18

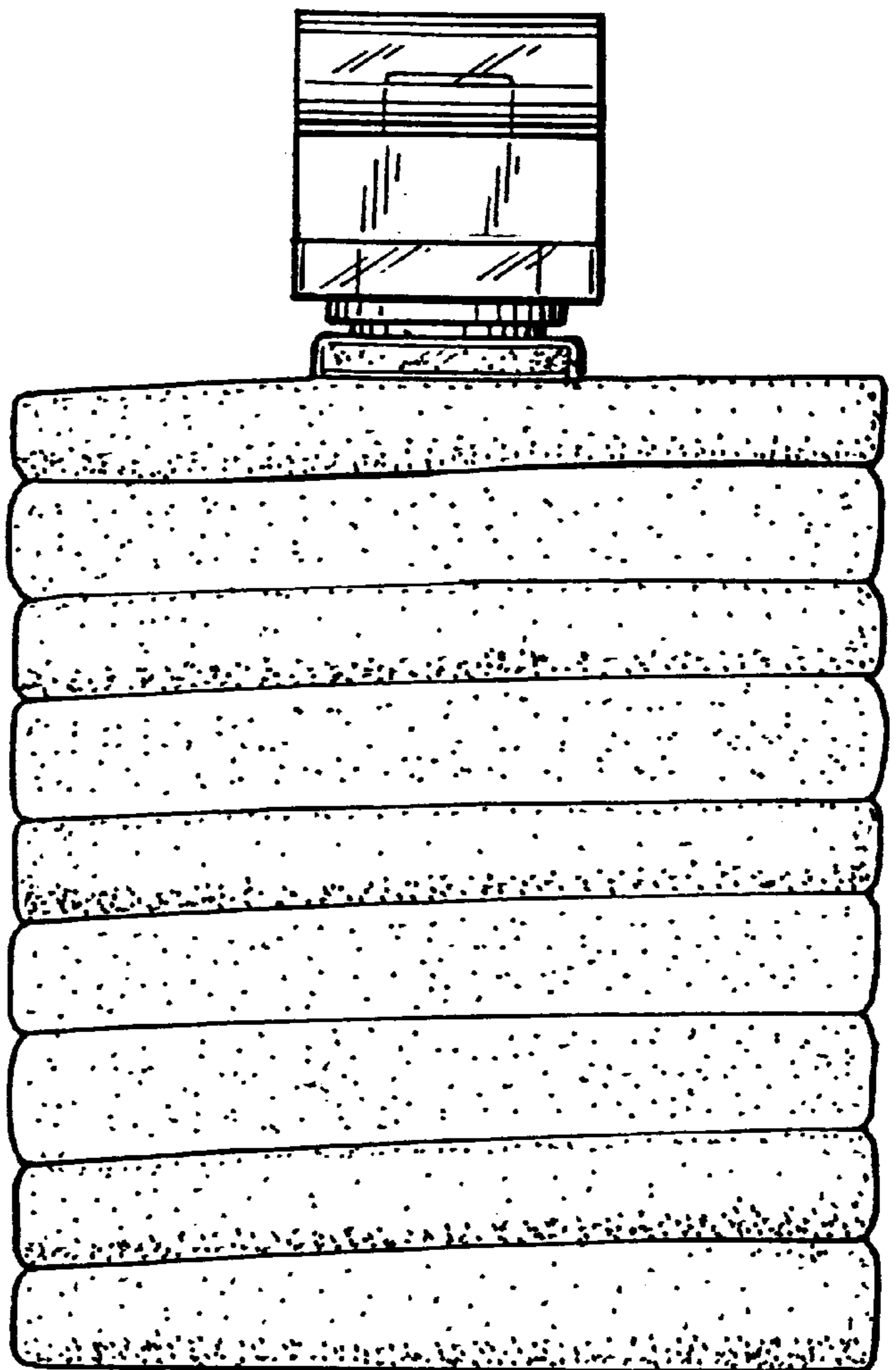


FIG.17

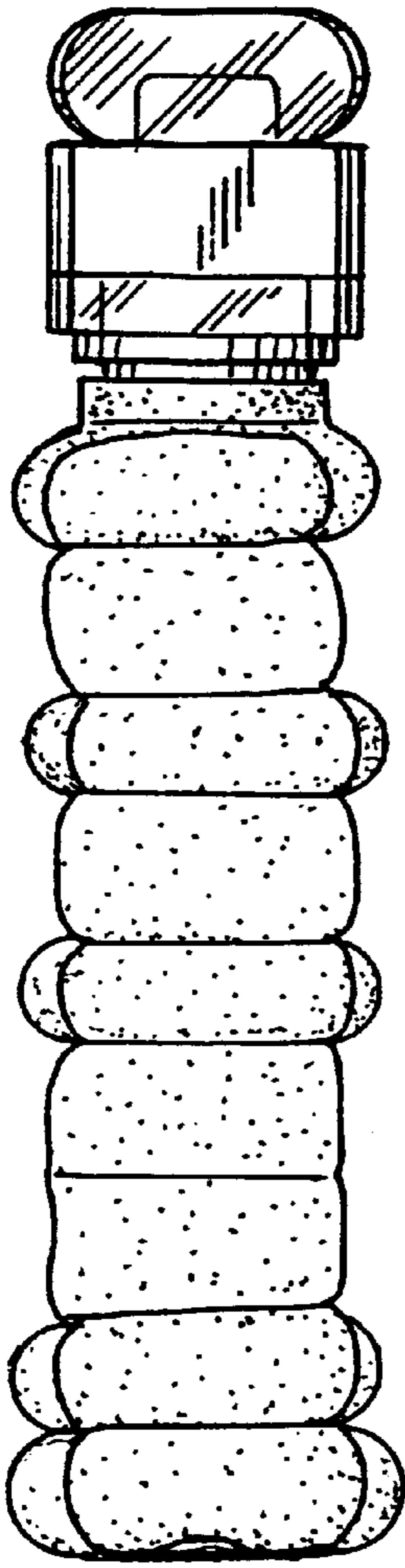


FIG. 20

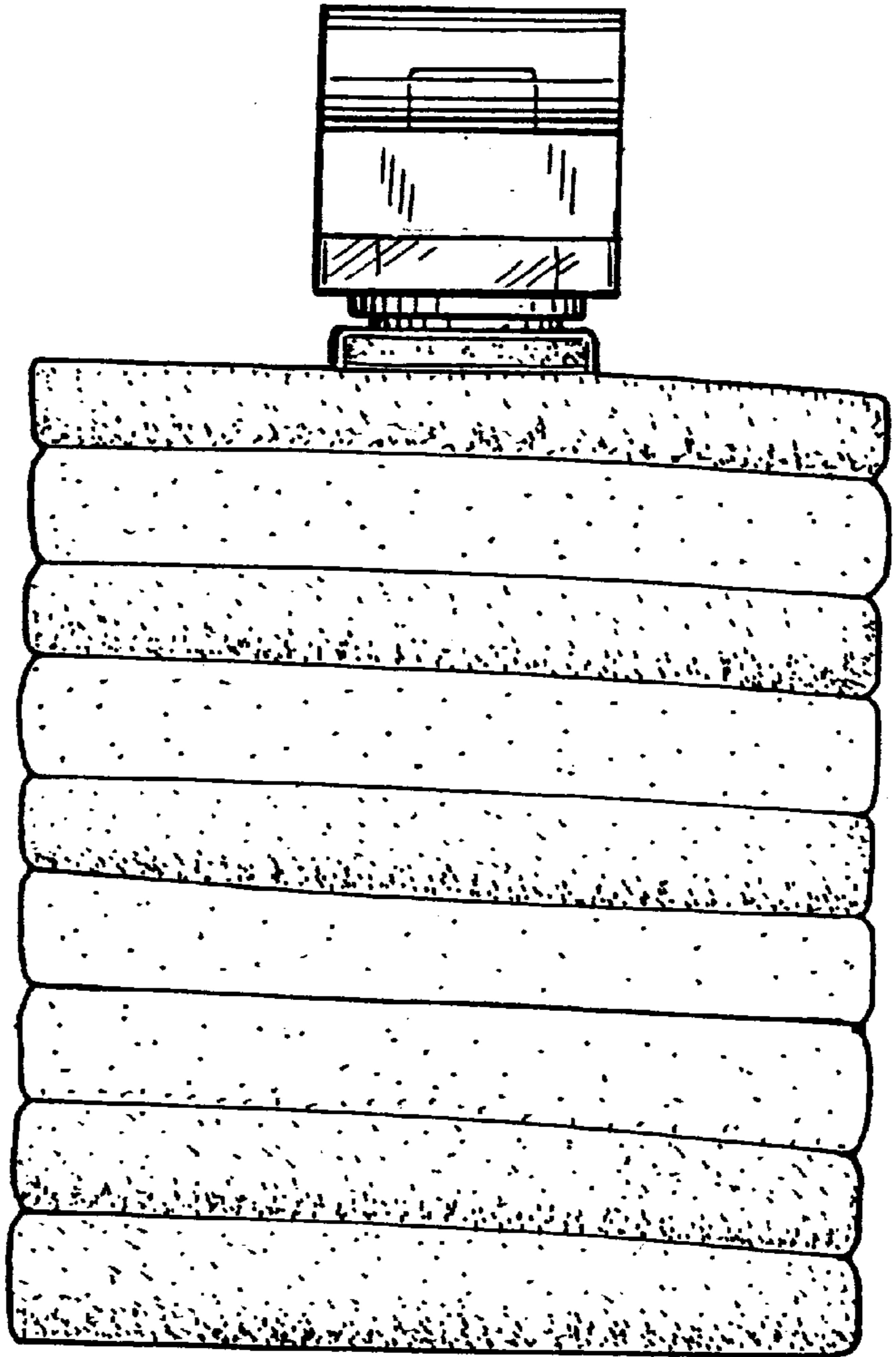


FIG. 19

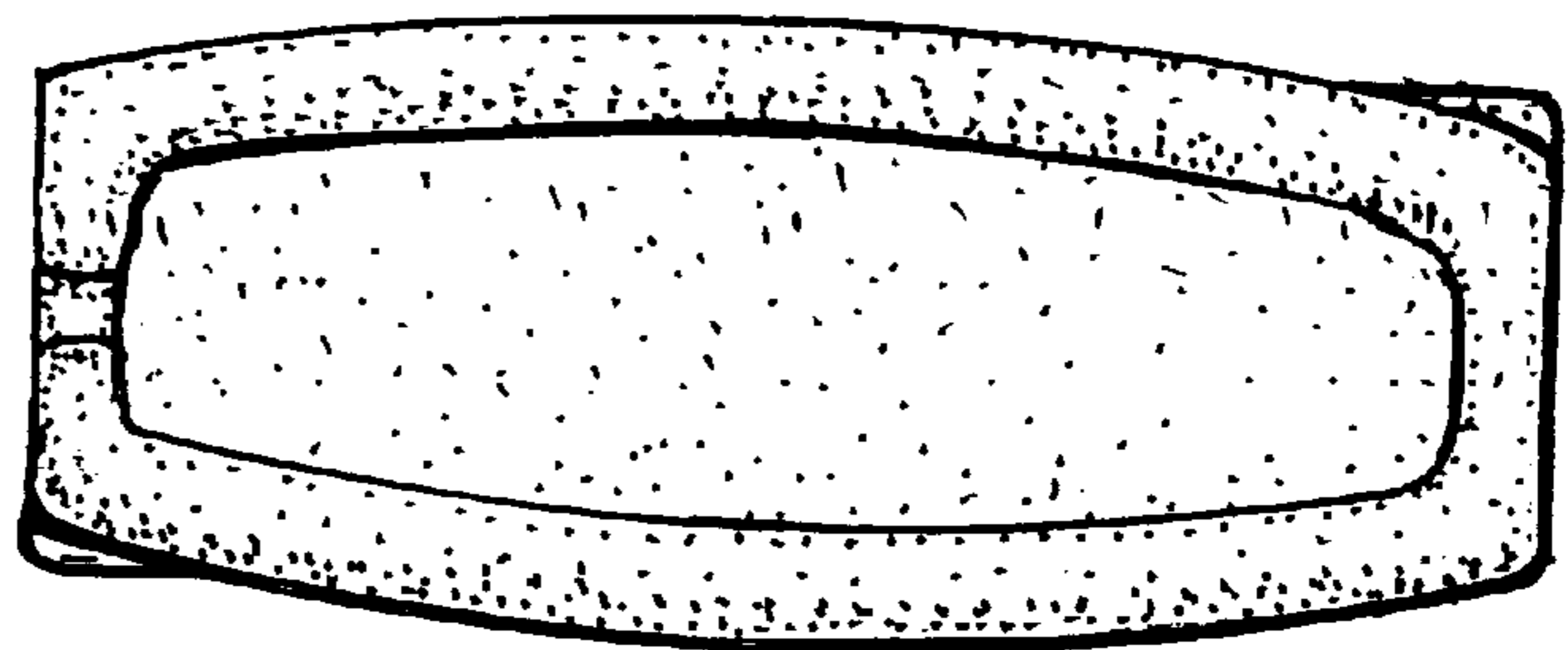


FIG. 21