



US00D430031S

United States Patent [19]

Baerenwald et al.

[11] Patent Number: **Des. 430,031**

[45] Date of Patent: **** Aug. 29, 2000**

[54] **ONE-PIECE CLOSURE WITH ANTI-FINGER INTRUSION LIFT-TAB**

[75] Inventors: **Philip M. Baerenwald**, Rockton;
Alfred L. Gray, Belvidere, both of Ill.

[73] Assignee: **J.L. Clark, Inc.**, Rockford, Ill.

[**] Term: **14 Years**

[21] Appl. No.: **29/101,825**

[22] Filed: **Mar. 11, 1999**

[51] **LOC (7) Cl.** **09-07**

[52] **U.S. Cl.** **D9/449**

[58] **Field of Search** D9/434, 435, 440,
D9/447, 449, 450, 438, 417; 220/244, 254,
258, 270; 222/498, 517, 535, 541.1; 229/102,
125.04, 125.05, 125.08, 125.15

[56] **References Cited**

U.S. PATENT DOCUMENTS

D. 313,558	1/1991	Gunn et al.	D9/449
4,760,938	8/1988	Wenger	222/498
4,915,290	4/1990	Robichaud et al.	229/125.08
4,919,313	4/1990	O'Brien	222/541.1
4,989,746	2/1991	Pierce	220/254
5,012,959	5/1991	Gordon	222/535
5,639,018	6/1997	Tokarski et al.	229/125.04
5,823,420	10/1998	Tokarski et al.	229/125.04
5,875,958	3/1999	Weiteder	229/125.15

Primary Examiner—Cathron B. Matta

Attorney, Agent, or Firm—Leydig, Voit & Mayer, Ltd

[57] **CLAIM**

The ornamental design for the one-piece closure with anti-finger intrusion lift-tab, as shown and described.

DESCRIPTION

FIG. 1 is a perspective view of a one-piece closure with anti-finger intrusion lift-tab showing our new design in the open position, the package to which the closure is attached being shown in phantom lines to depict the environment in which the lift-tab is used, and forming no part of the design hereof;

FIG. 2 is an enlarged view thereof;

FIG. 3 an enlarged back view thereof;

FIG. 4 is an enlarged side view thereof, the opposite side being identical;

FIG. 5 is an enlarged top view thereof;

FIG. 6 is an enlarged bottom view thereof;

FIG. 7 is a perspective view of a one-piece closure with anti-finger intrusion lift-tab showing our new design in the closed position, the package to which the closure is attached being shown in phantom lines to depict the environment in which the lift-tab is used, and forming no part of the design hereof;

FIG. 8 is an enlarged front view thereof;

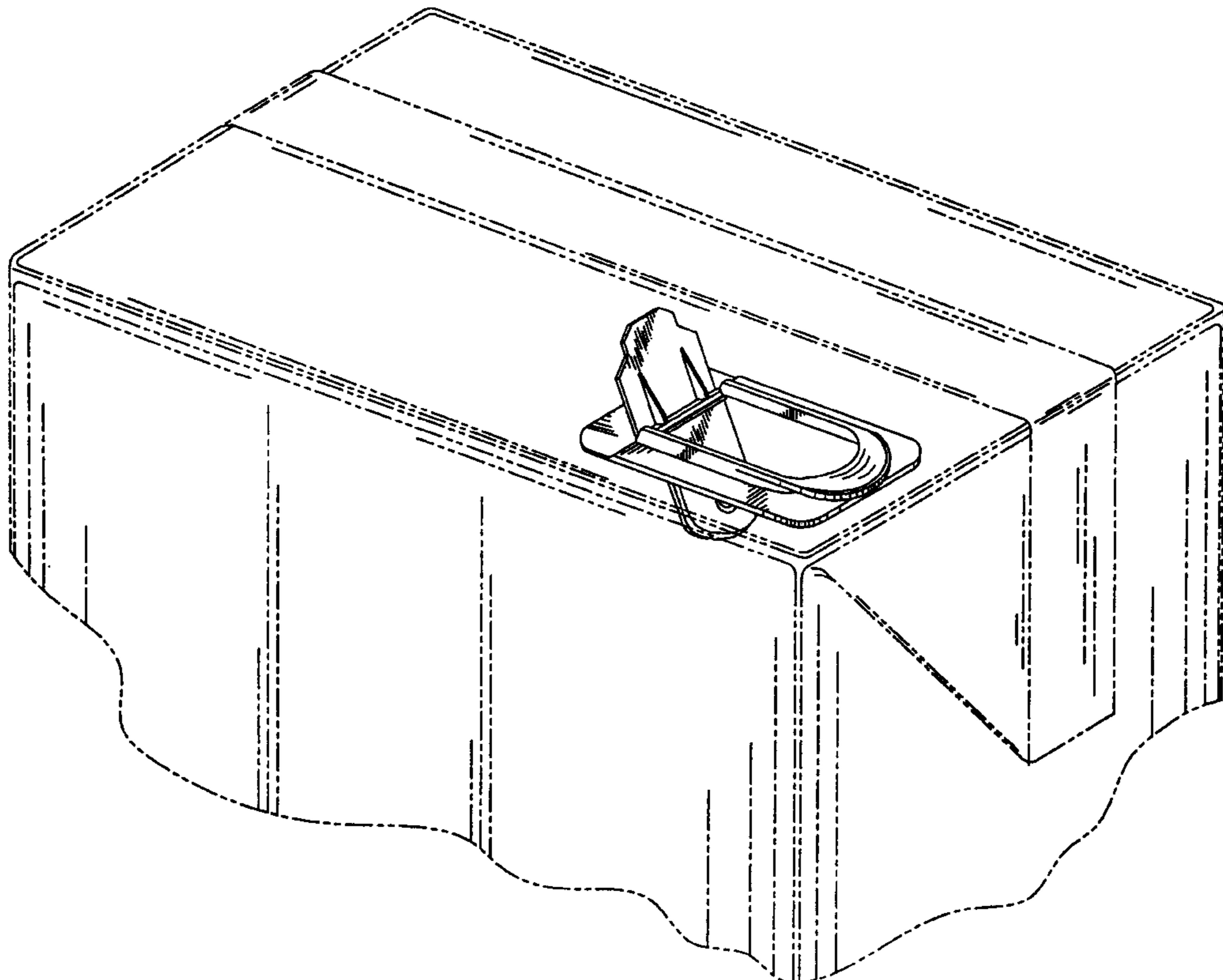
FIG. 9 is an enlarged back view thereof;

FIG. 10 is an enlarged side view thereof, the opposite side being identical;

FIG. 11 is an enlarged top view thereof; and,

FIG. 12 is an enlarged bottom view thereof.

1 Claim, 7 Drawing Sheets



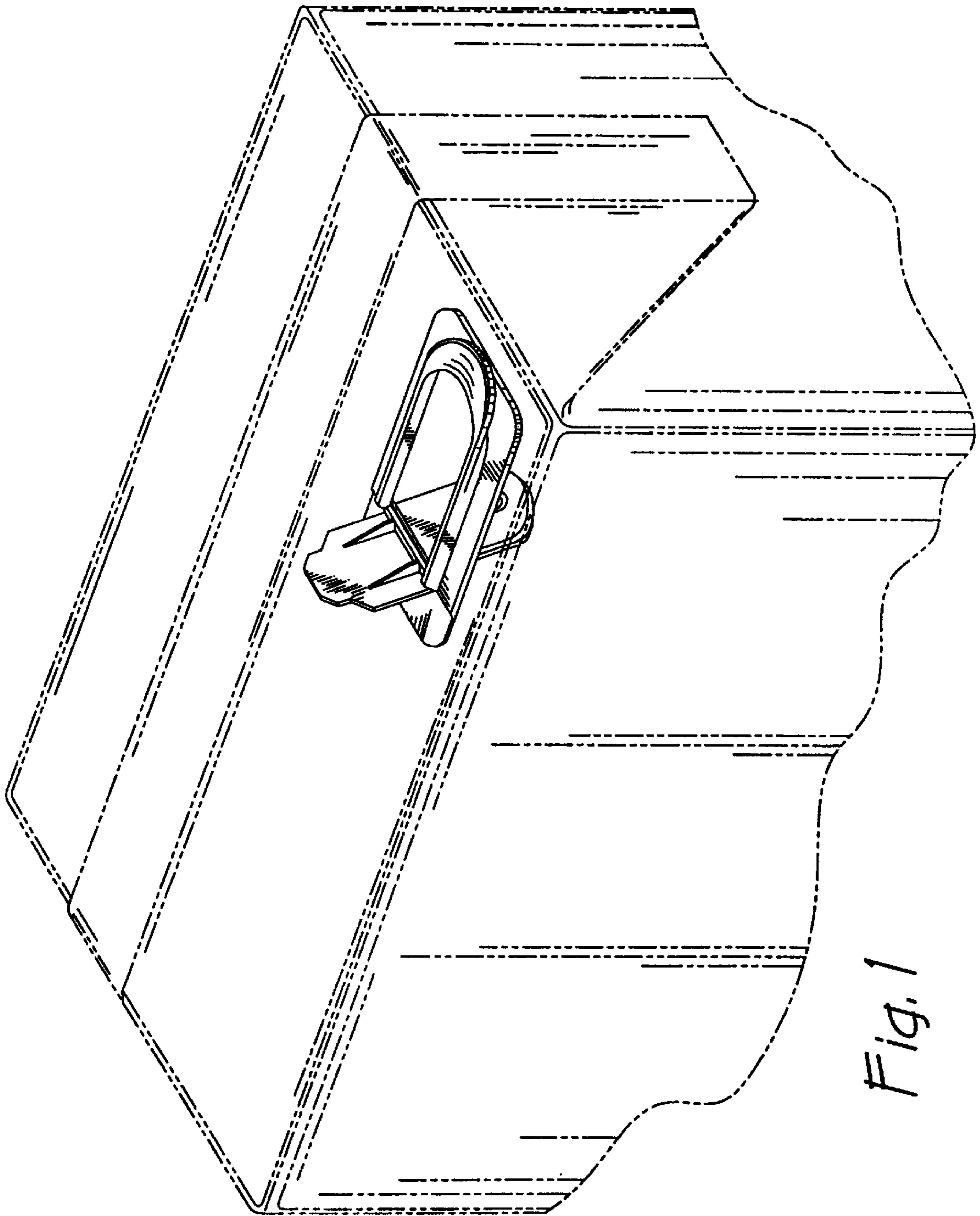


Fig. 1

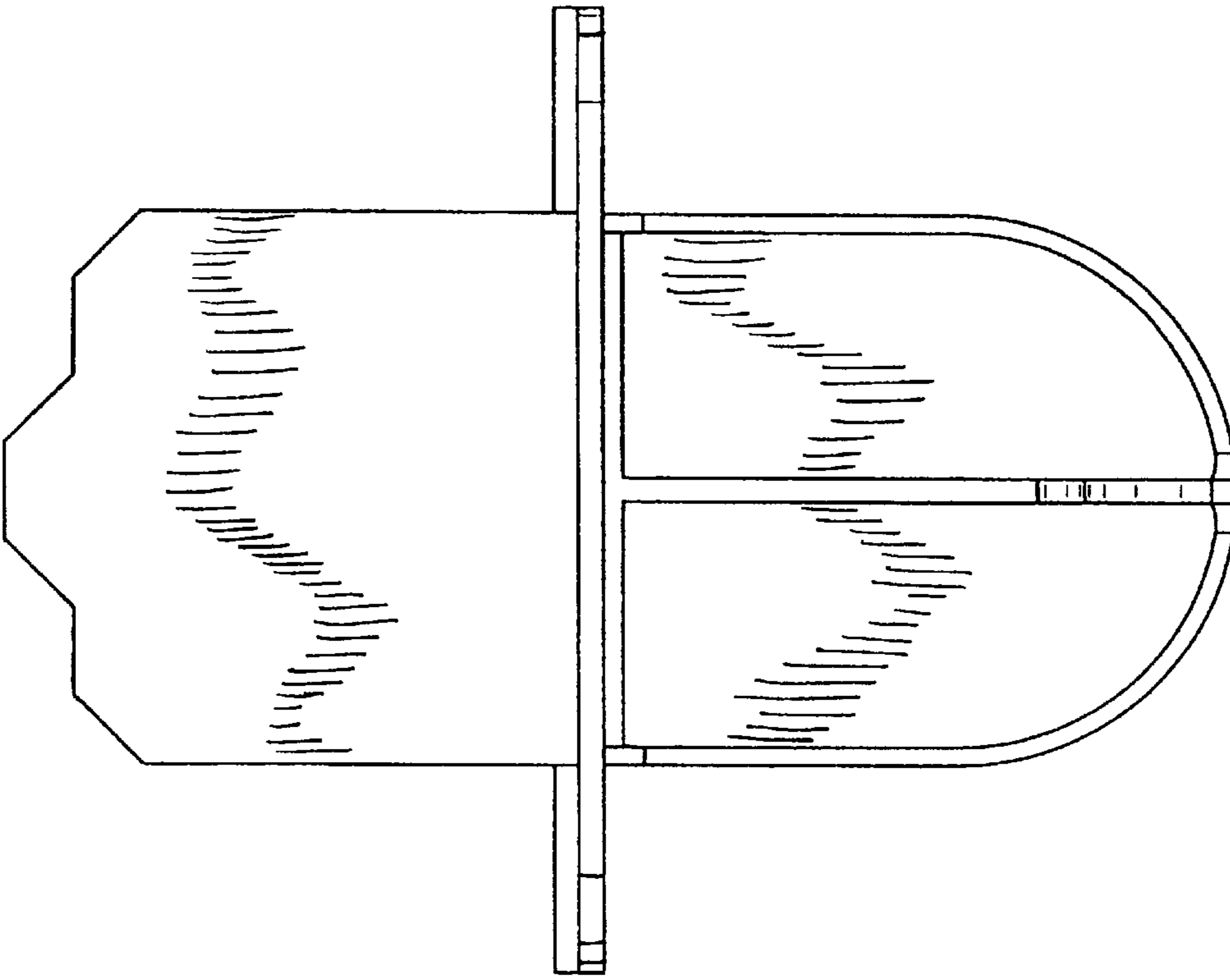


Fig. 3

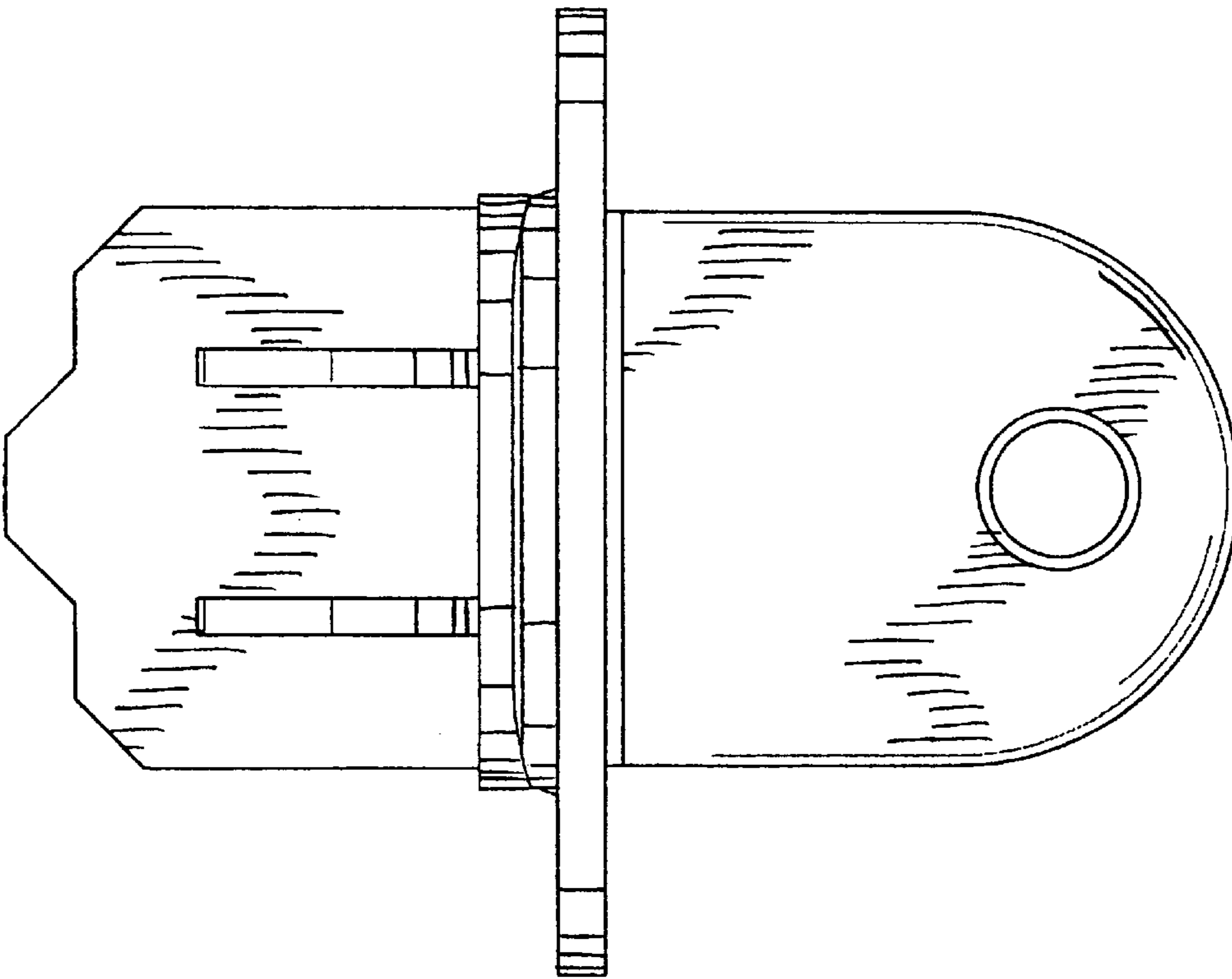


Fig. 2

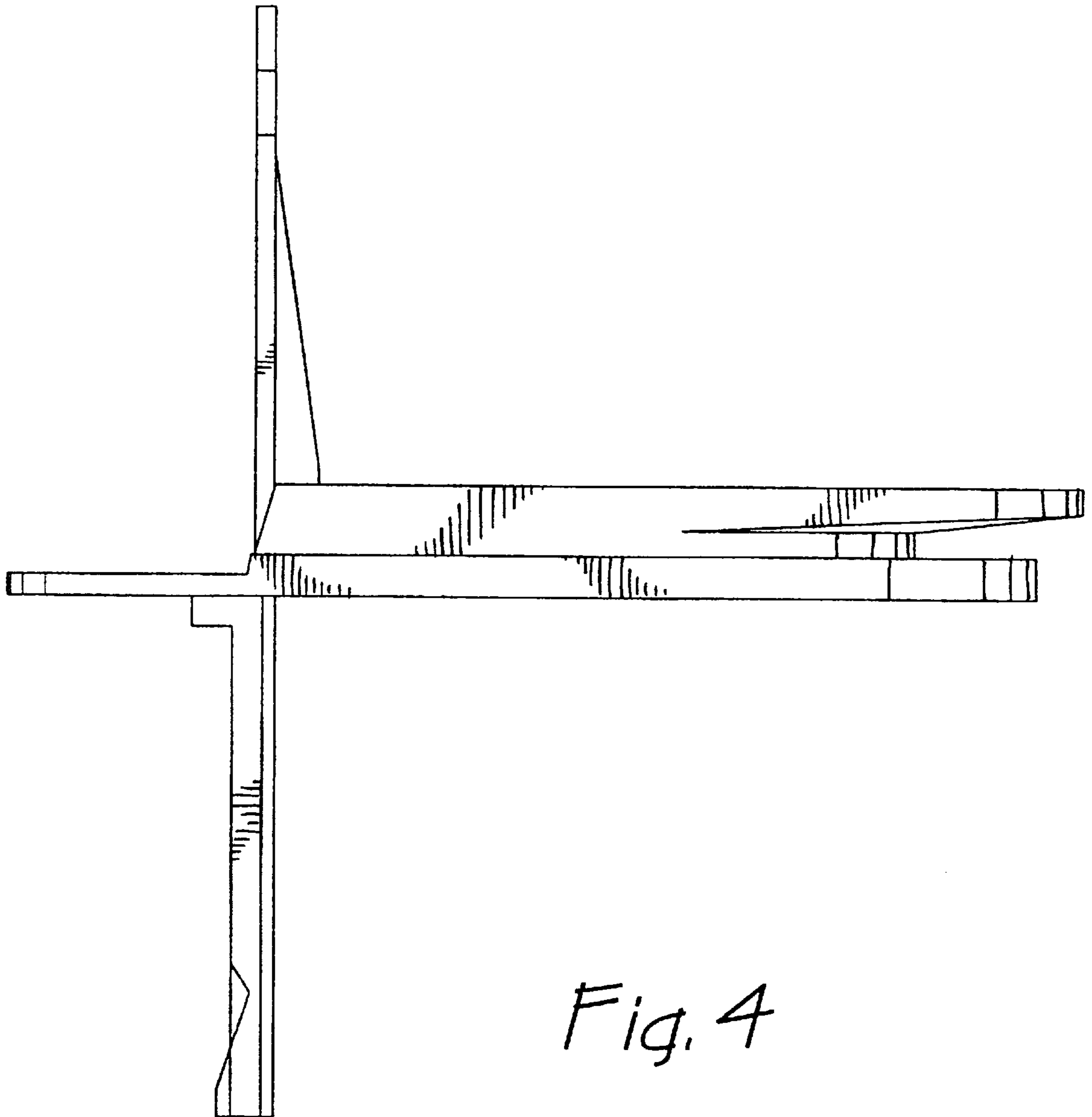


Fig. 4

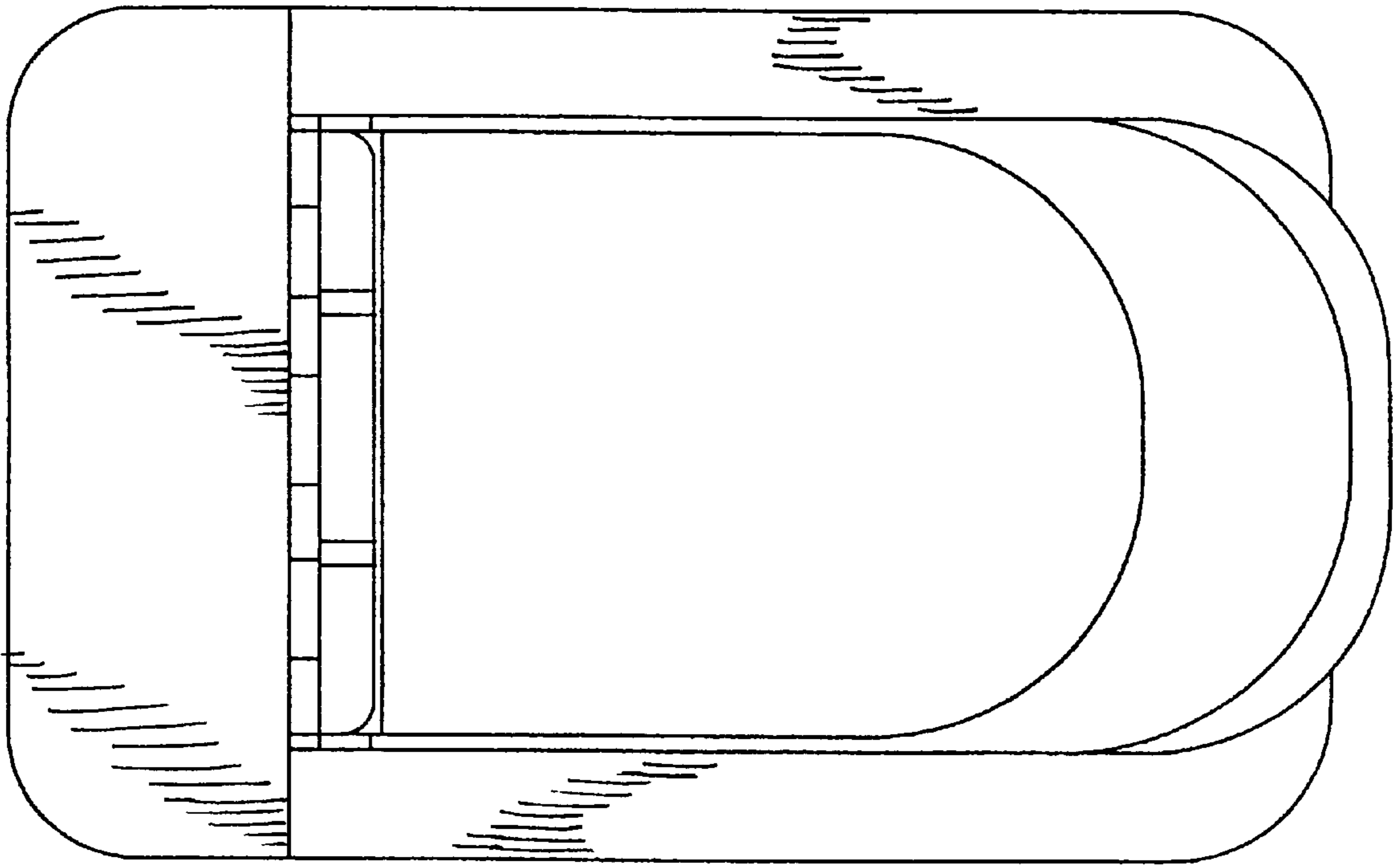


Fig. 5

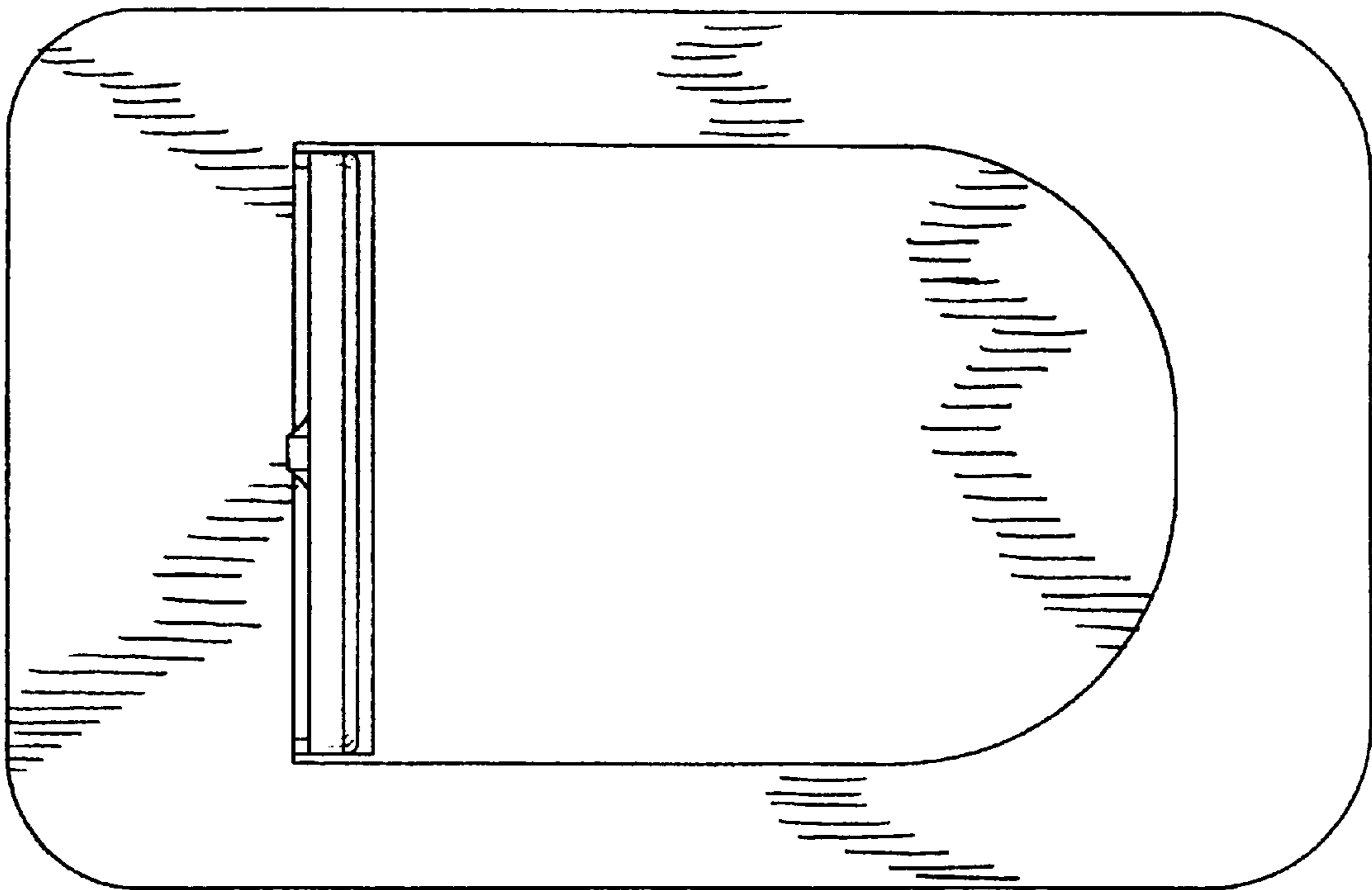


Fig. 6

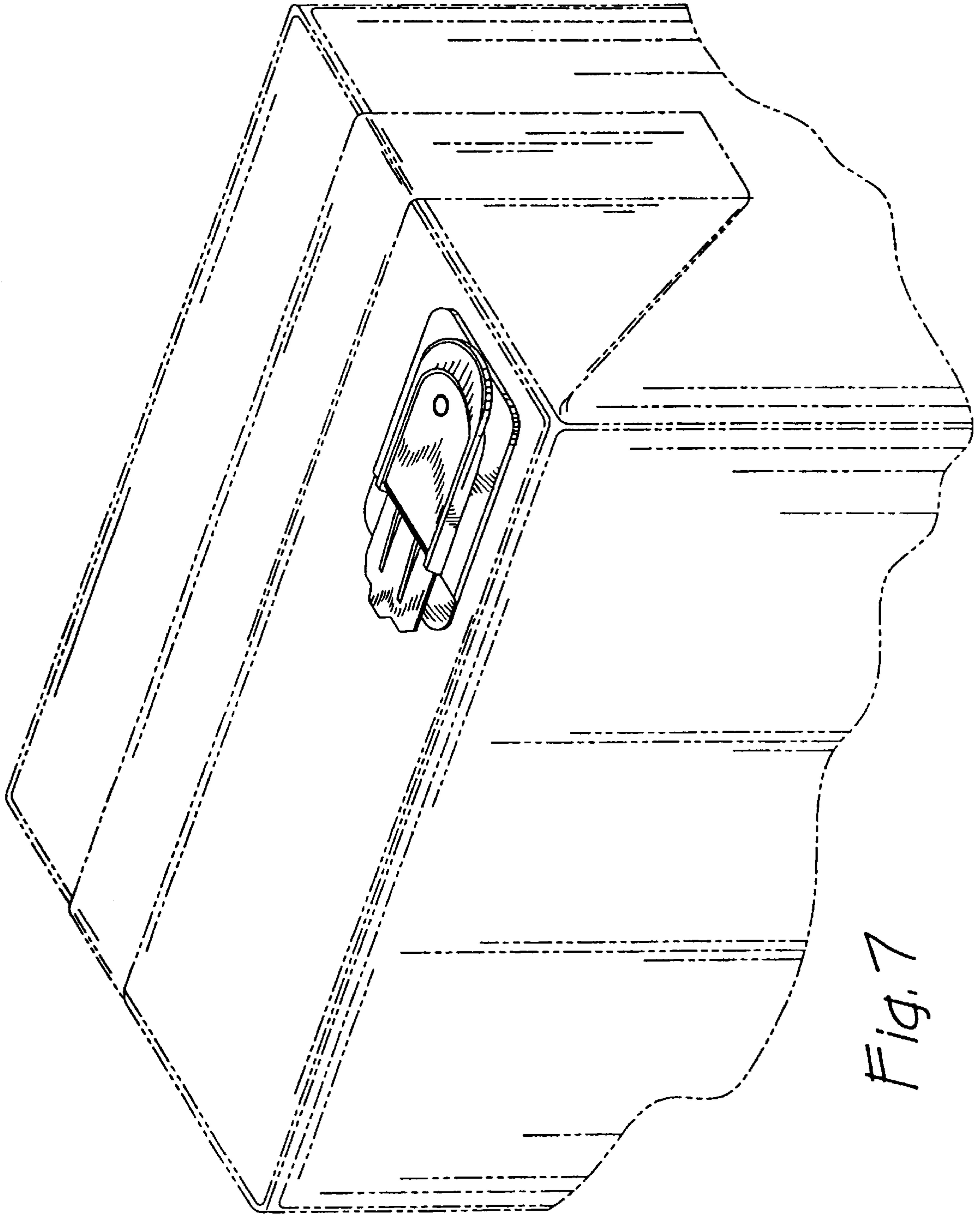


Fig. 7

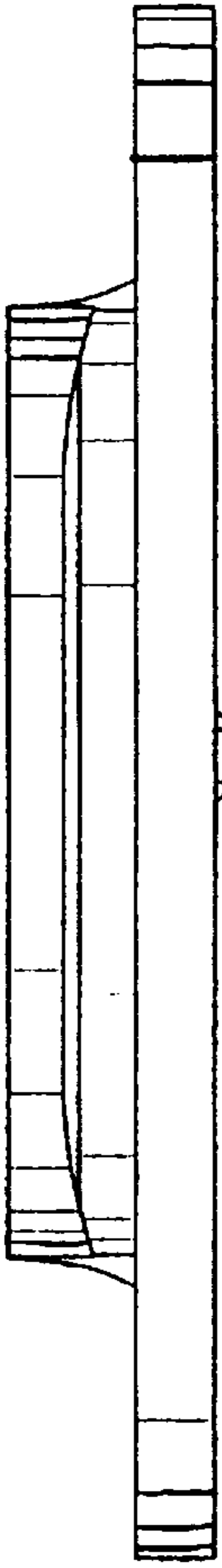


Fig. 8

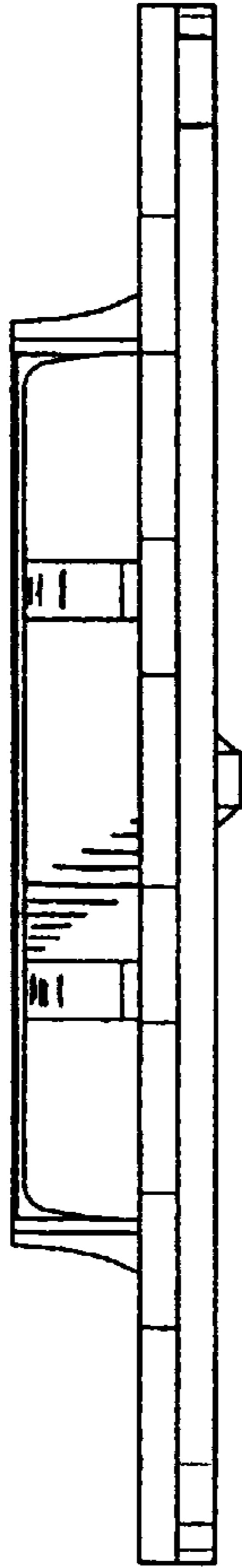


Fig. 9

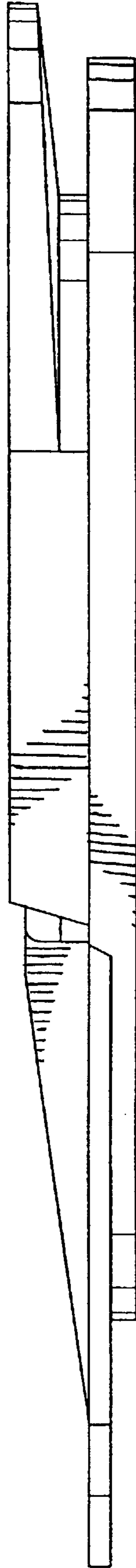


Fig. 10

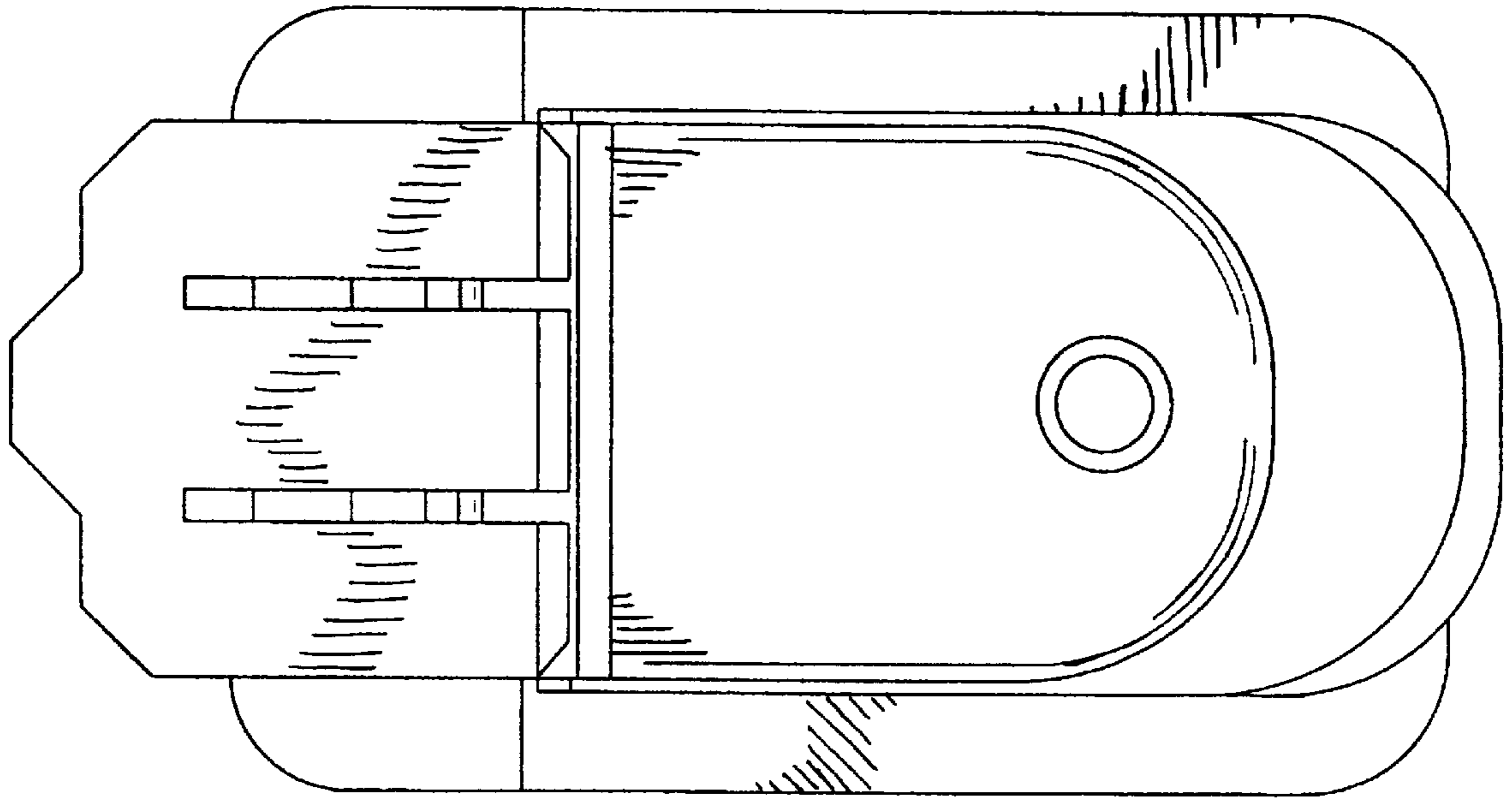


Fig. 11

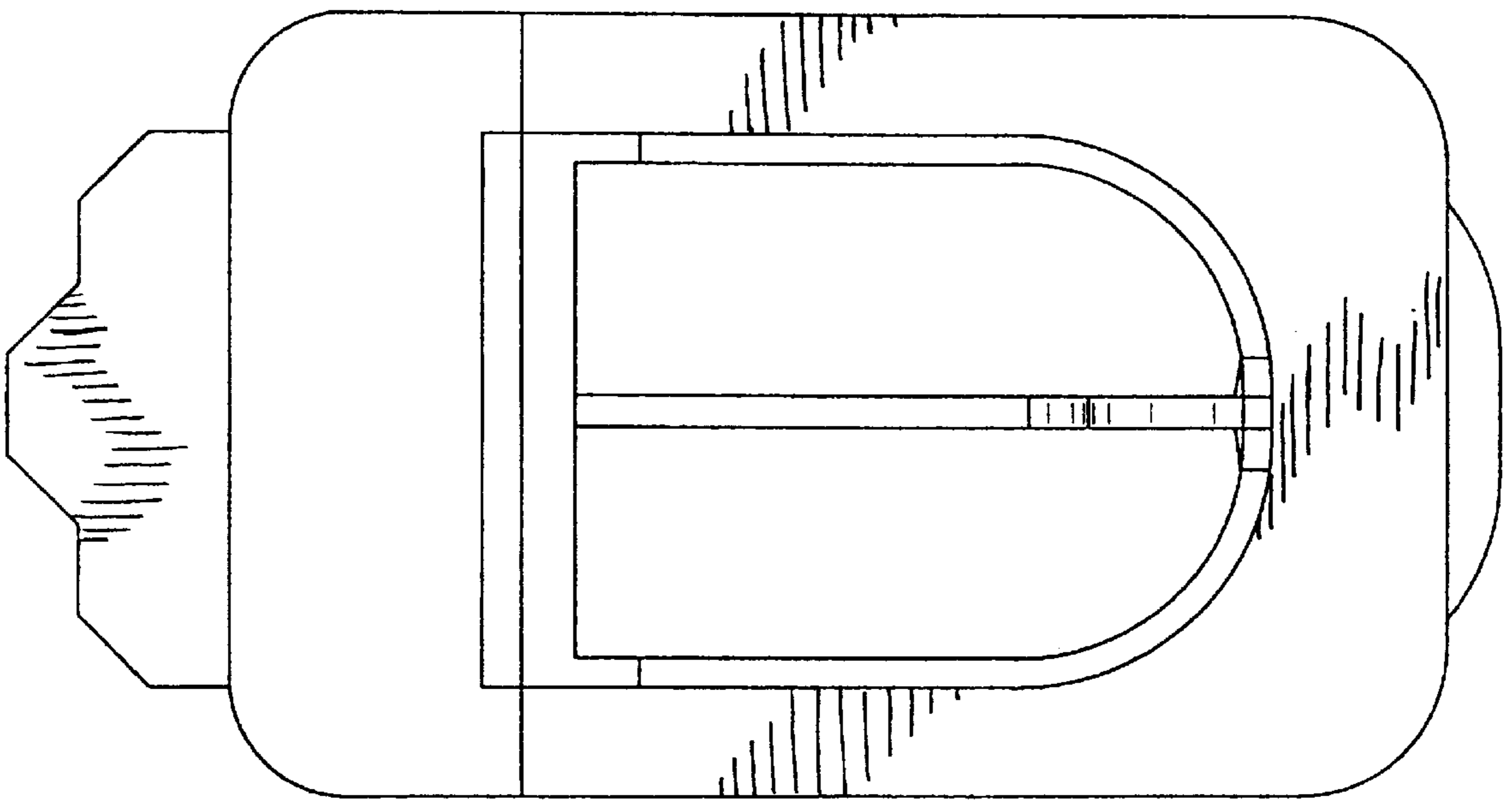


Fig. 12