



US00D430023S

United States Patent [19] Shurtleff et al.

[11] Patent Number: **Des. 430,023**

[45] Date of Patent: **** Aug. 29, 2000**

[54] CONTAINER

[75] Inventors: **Jill Marie Shurtleff**, South Boston;
John D. Petricca, Leominster, both of
Mass.

[73] Assignee: **The Gillette Company**, Boston, Mass.

[**] Term: **14 Years**

[21] Appl. No.: **29/108,573**

[22] Filed: **Jul. 29, 1999**

[51] LOC (7) Cl. **09-07**

[52] U.S. Cl. **D9/425; D9/429; D9/430**

[58] Field of Search D9/420, 424, 425,
D9/429, 430, 431, 432, 337, 414; D7/629,
601; 229/406, 407, 4.5, 938, 939; 220/241,
242, 780, 781, 783, 376, 380, 657, 659,
669, 670, 675, 556

[56] **References Cited**

U.S. PATENT DOCUMENTS

| | | | |
|------------|--------|----------------------|----------|
| D. 227,083 | 6/1973 | Anderson et al. | D9/219 |
| D. 296,191 | 6/1988 | Yoshida et al. | D9/424 |
| D. 306,216 | 2/1990 | Gray . | |
| D. 334,536 | 4/1993 | Long et al. | D9/425 |
| D. 336,850 | 6/1993 | Guillin | D9/429 |
| D. 348,394 | 7/1994 | Dreyer | D9/425 |
| D. 349,456 | 8/1994 | Wilson | D9/425 X |

| | | | |
|------------|---------|-----------------------|-----------|
| D. 353,997 | 1/1995 | Kashinoet et al. | D9/425 |
| D. 382,112 | 8/1997 | Egan | D9/425 |
| 2,138,241 | 11/1938 | Koch et al. . | |
| 3,154,215 | 10/1964 | Vesconte | 206/518 |
| 3,344,974 | 10/1967 | Bostrom | 206/518 X |
| 4,373,642 | 2/1983 | Wolters et al. | 220/659 |
| 4,946,038 | 8/1990 | Eaton | 206/528 |
| 5,300,748 | 4/1994 | Colombo | 229/903 X |

OTHER PUBLICATIONS

Tenneco Packaging, p. 12, May 1996.

Primary Examiner—Prabhakar Deshmukh
Attorney, Agent, or Firm—Fish & Richardson P.C.

[57] **CLAIM**

The ornamental design for a container, as shown and described.

DESCRIPTION

FIG. 1 is a perspective view of a container as seen from the top, front and right side;
FIG. 2 is a right side elevational view thereof, the left side elevation being a mirror image;
FIG. 3 is a top plan view thereof;
FIG. 4 is a front elevational view thereof;
FIG. 5 is a rear elevational view thereof; and,
FIG. 6 is a bottom plan view.

1 Claim, 3 Drawing Sheets

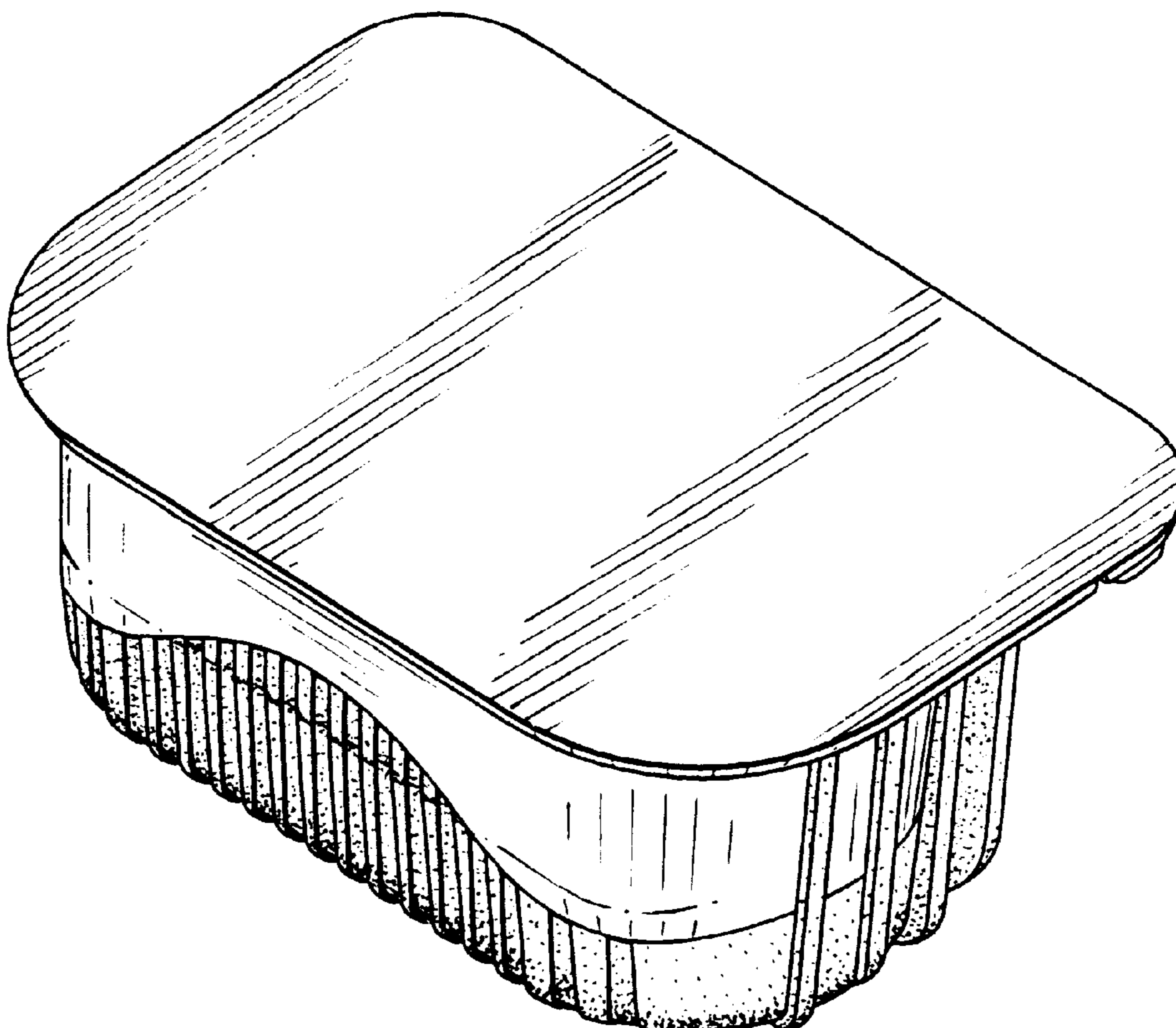


FIG. 1

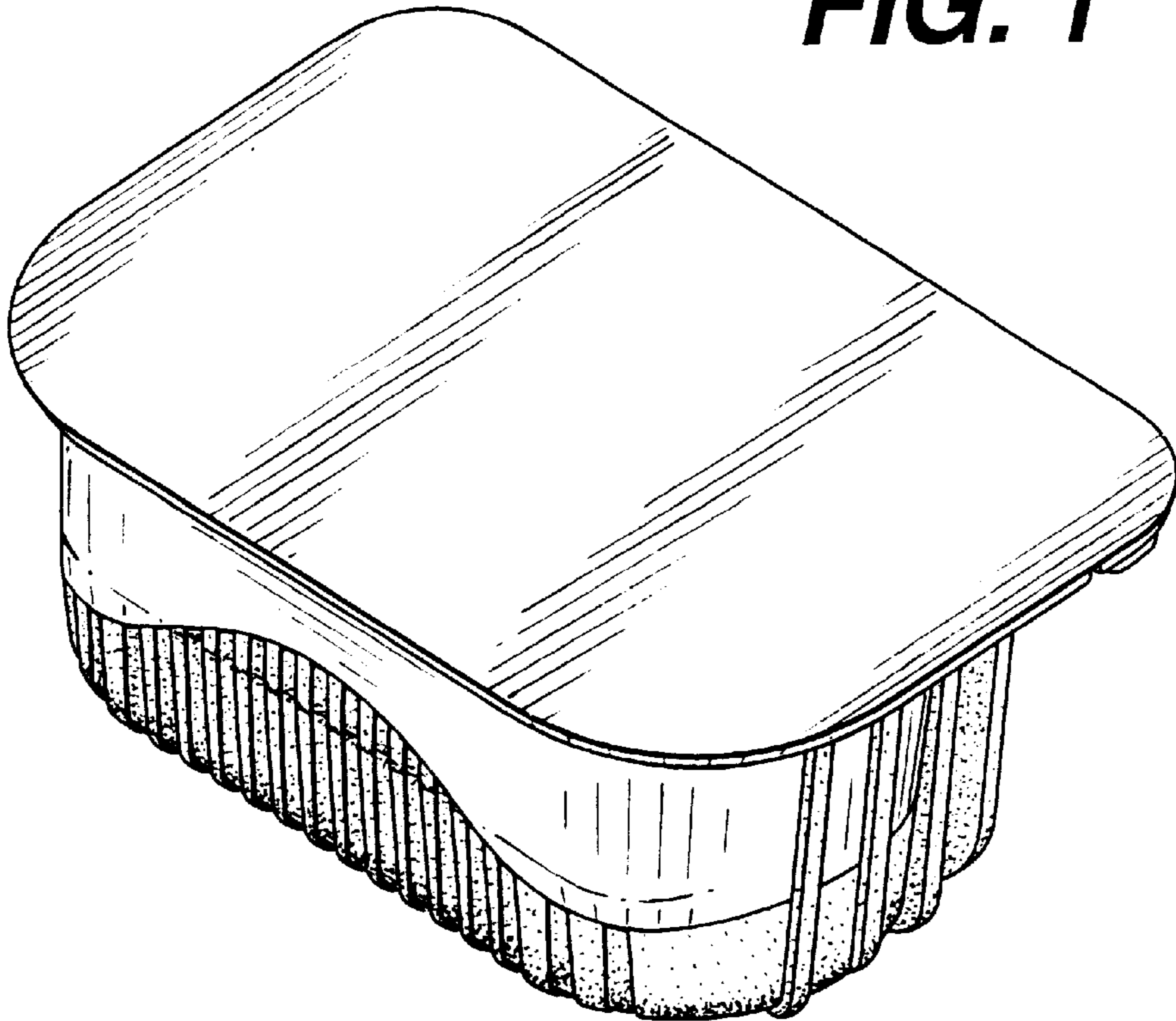


FIG. 2

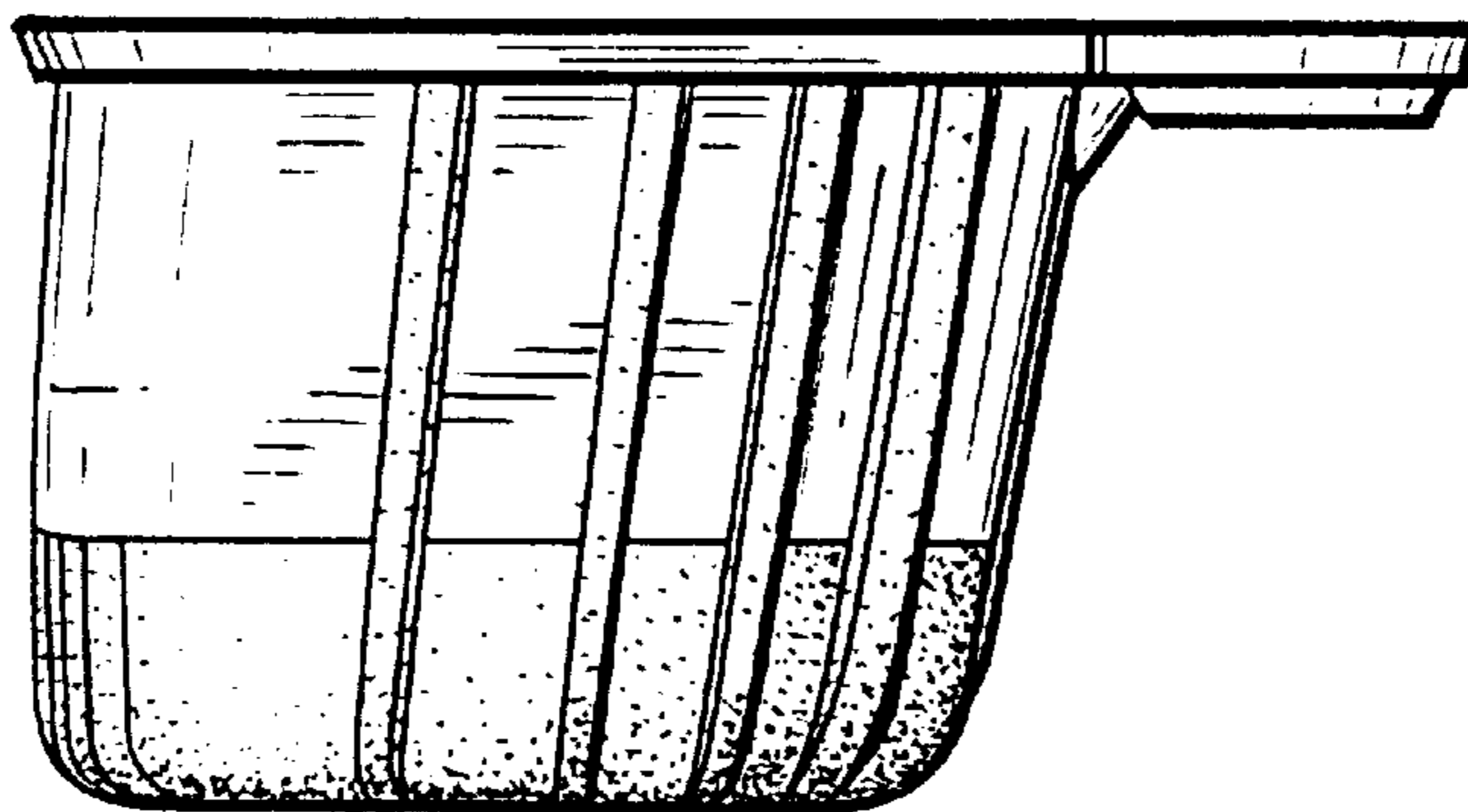


FIG. 3

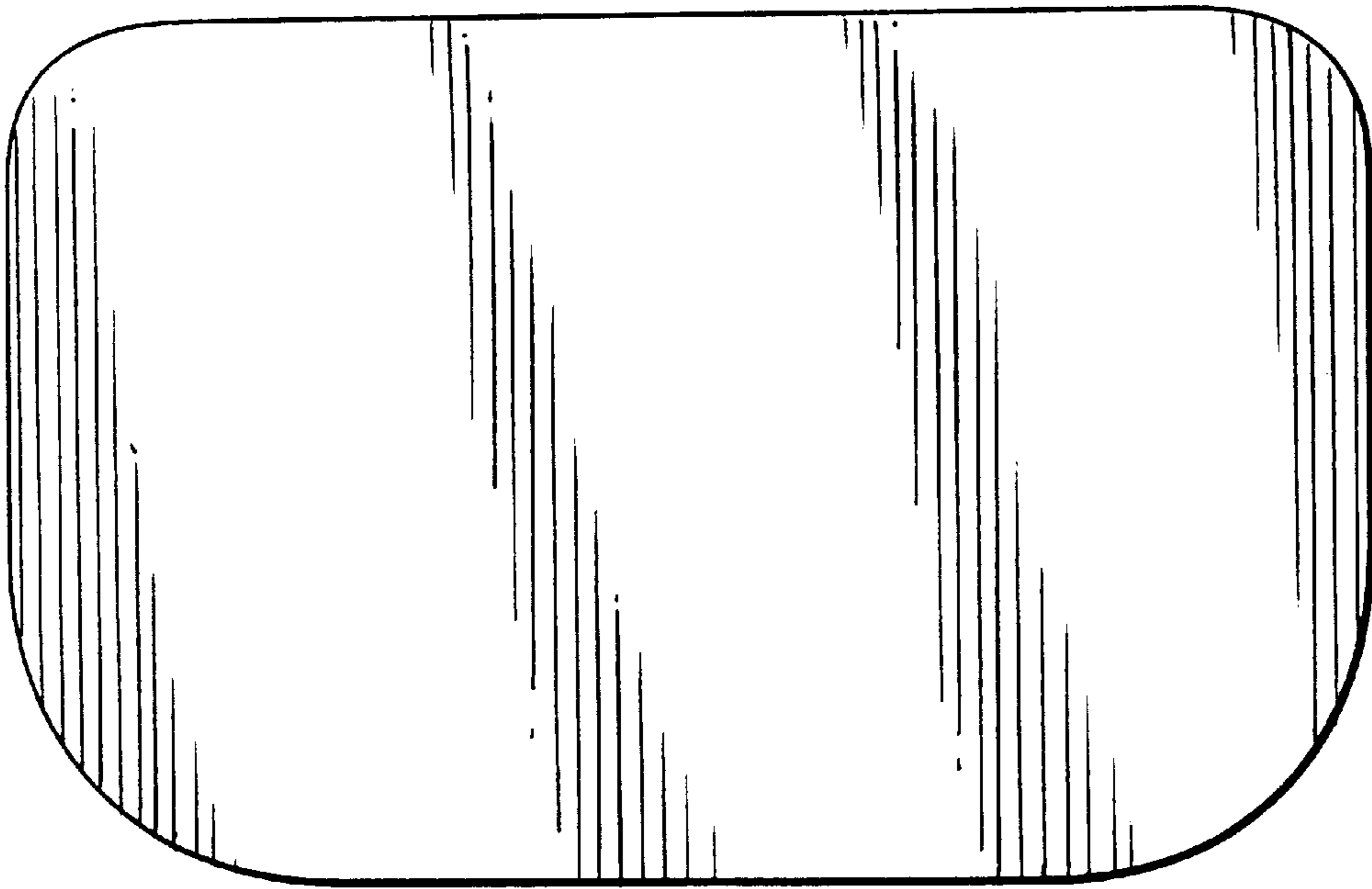


FIG. 4

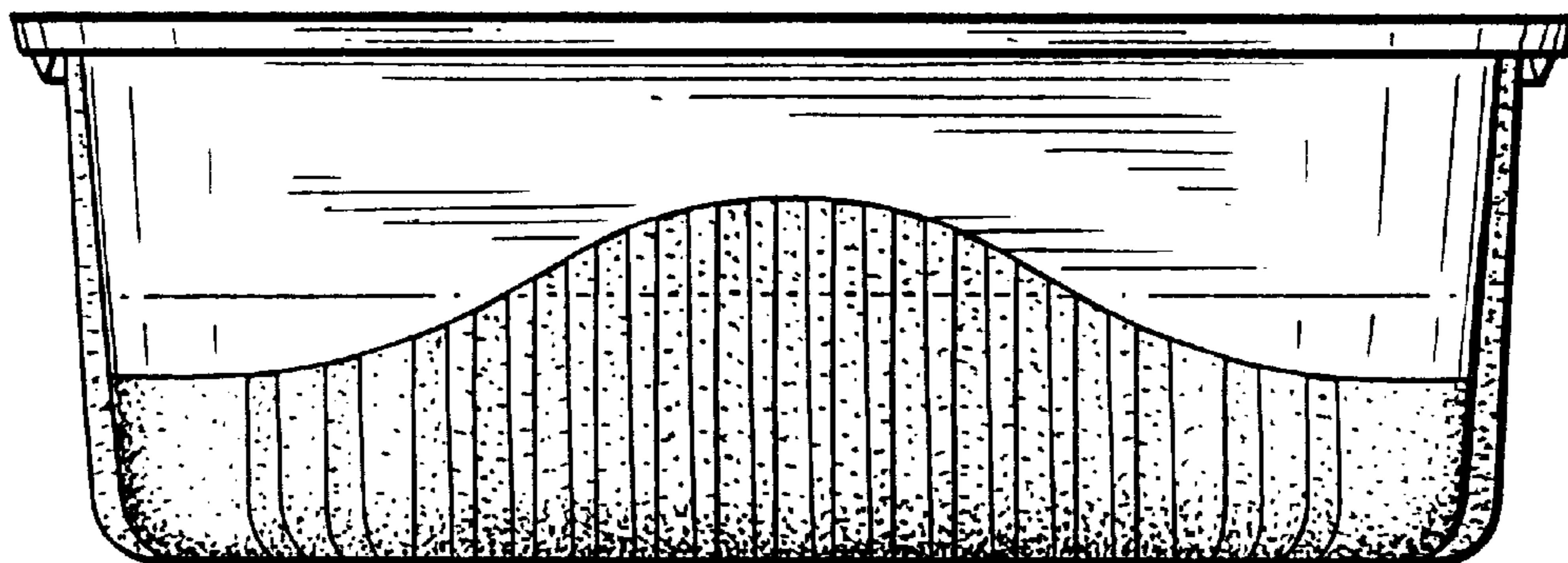


FIG. 5

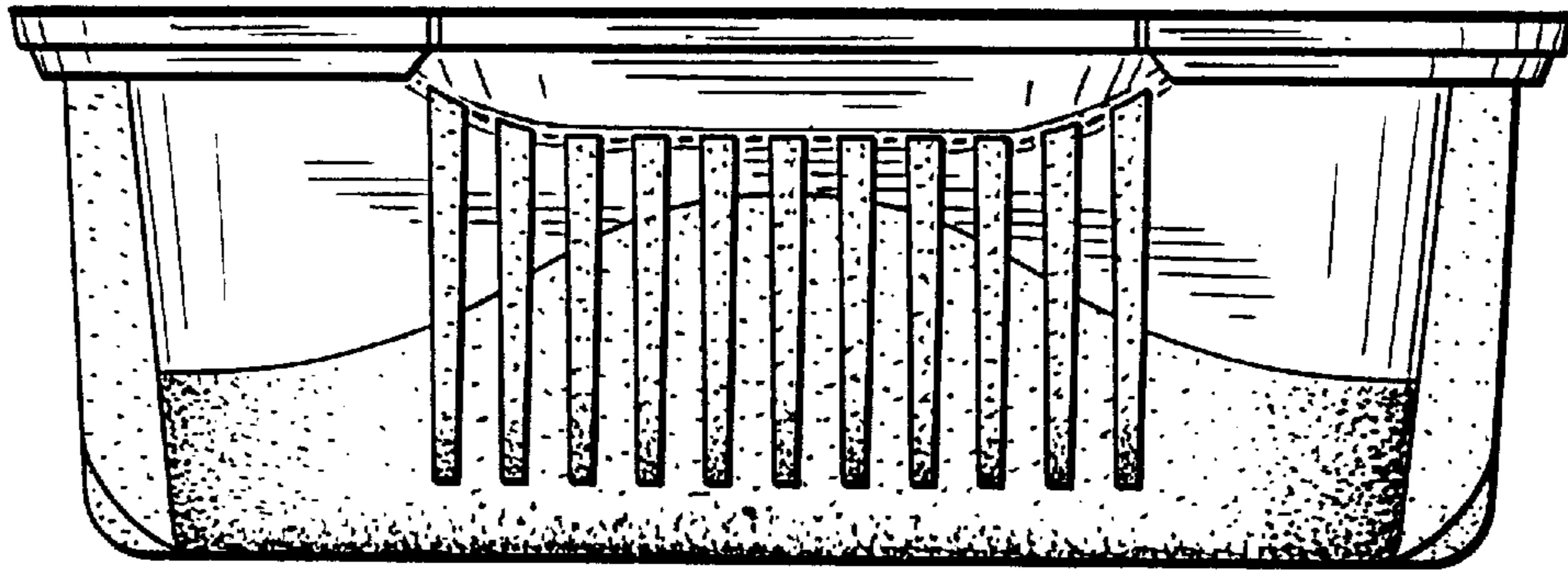


FIG. 6

