

US00D430019S

# United States Patent [19] Humphrey

[11] Patent Number: **Des. 430,019**

[45] Date of Patent: **\*\* Aug. 29, 2000**

[54] PACKAGE

[75] Inventor: **Neill W. Humphrey**, El Dorado Hills, Calif.

[73] Assignee: **Trade Source International**, El Dorado Hills, Calif.

[\*\*] Term: **14 Years**

[21] Appl. No.: **29/115,037**

[22] Filed: **Dec. 6, 1999**

[51] LOC (7) Cl. .... **09-07**

[52] U.S. Cl. .... **D9/415**

[58] Field of Search ..... D9/415, 418, 337, D9/414, 430; 206/461-471, 495, 806, 769, 773, 775-783

4,702,368	10/1987	Jones .	
4,702,374	10/1987	Kelner .	
4,781,289	11/1988	Perkins .	
4,823,960	4/1989	Perlberg et al. .	
4,848,577	7/1989	Hoffman et al. .	
4,899,877	2/1990	Kiernam .....	206/417 X
4,901,858	2/1990	Anderson .	
4,930,627	6/1990	Borst et al. ....	206/470 X
5,002,187	3/1991	Rysner et al. .	
5,064,056	11/1991	Gresh .	
5,188,222	2/1993	Pierce .	
5,289,916	3/1994	Mickelberg .....	206/756
5,452,802	9/1995	Green .	
5,495,937	3/1996	Fraser .	
5,626,226	5/1997	Gardiner et al. .	

### OTHER PUBLICATIONS

Techform Inc (From 206/461 Shoe), Nov. 1982.

*Primary Examiner*—Prabhakah Deshmukh  
*Attorney, Agent, or Firm*—Oppenheimer Wolff & Donnelly, LLP

### [56] References Cited

#### U.S. PATENT DOCUMENTS

D. 309,262	7/1990	Coiner .....	D9/418
D. 321,323	11/1991	Nakamura .....	D9/215
D. 394,384	5/1998	Humphrey .....	D9/418
D. 414,108	9/1999	Humphrey .....	D9/415
D. 418,408	1/2000	Humphrey .....	D9/415
1,784,937	12/1930	Kreblawsky .	
2,873,023	2/1959	Erickson .	
3,064,402	1/1962	Crane, Jr. .	
3,416,656	12/1968	Addiego .	
3,420,361	1/1969	Newberg .	
4,099,612	7/1978	Hanson .	
4,307,803	12/1981	Johnson .	
4,415,084	11/1983	Hauser et al. .	
4,531,637	7/1985	Cusmano .	
4,669,610	6/1987	Lindsey et al. .	

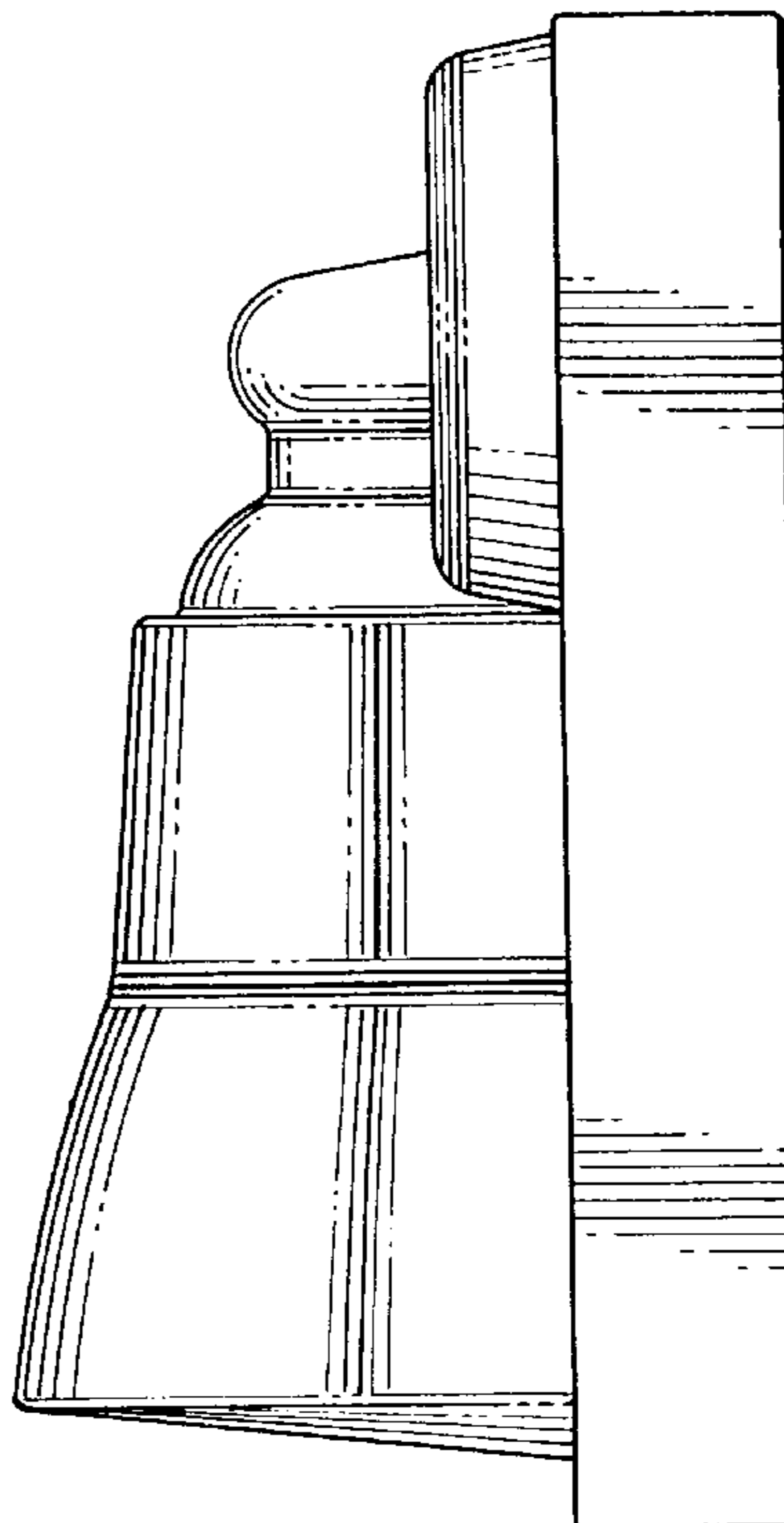
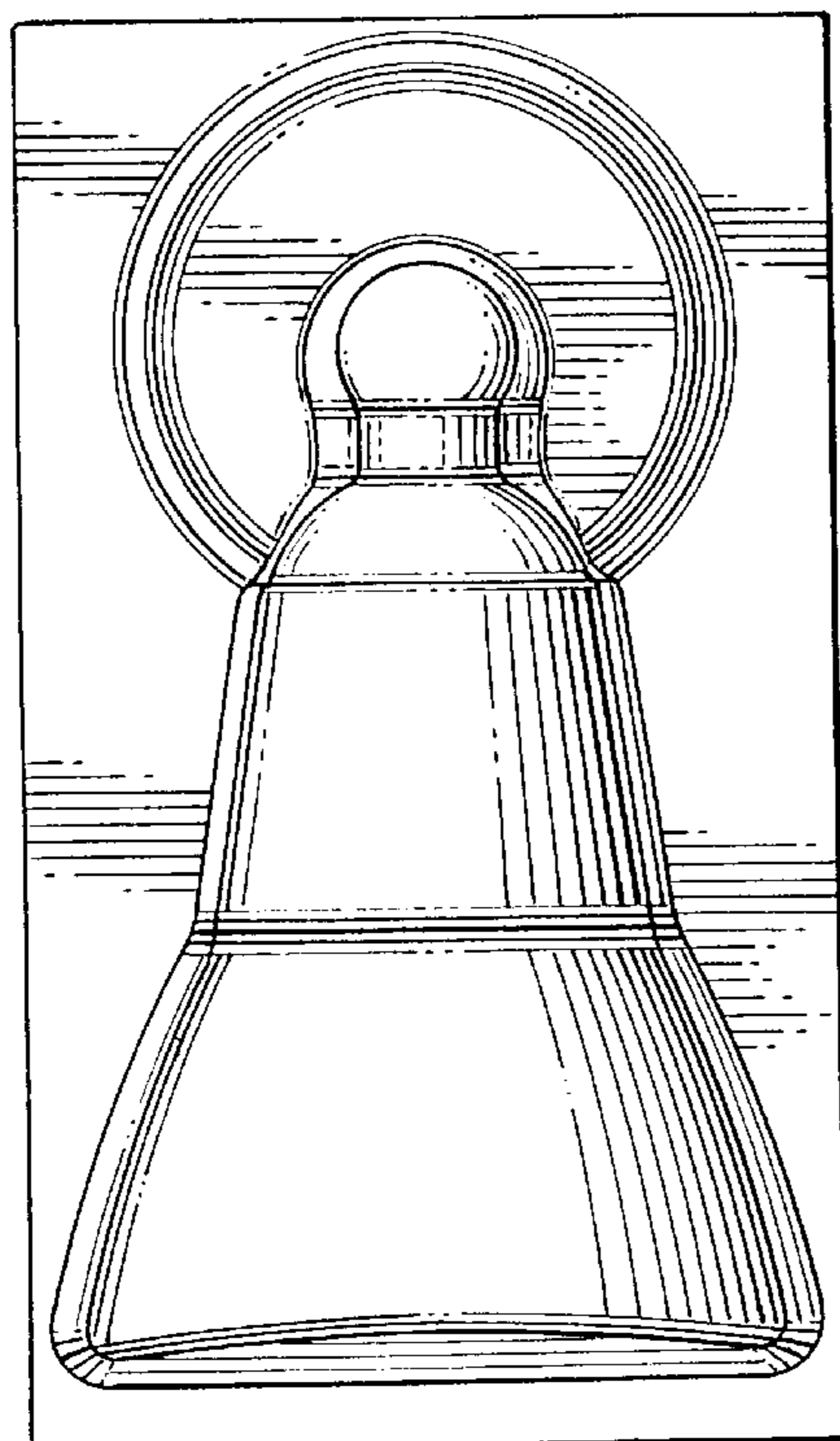
### [57] CLAIM

The ornamental design for a package, as shown and described.

### DESCRIPTION

FIG. 1 is a front elevational view of a package showing my new design;  
FIG. 2 is a top plan view thereof; and,  
FIG. 3 is a left side elevational view thereof, the right side being a mirror image thereof.  
The bottom is plain and unornamented.

**1 Claim, 1 Drawing Sheet**



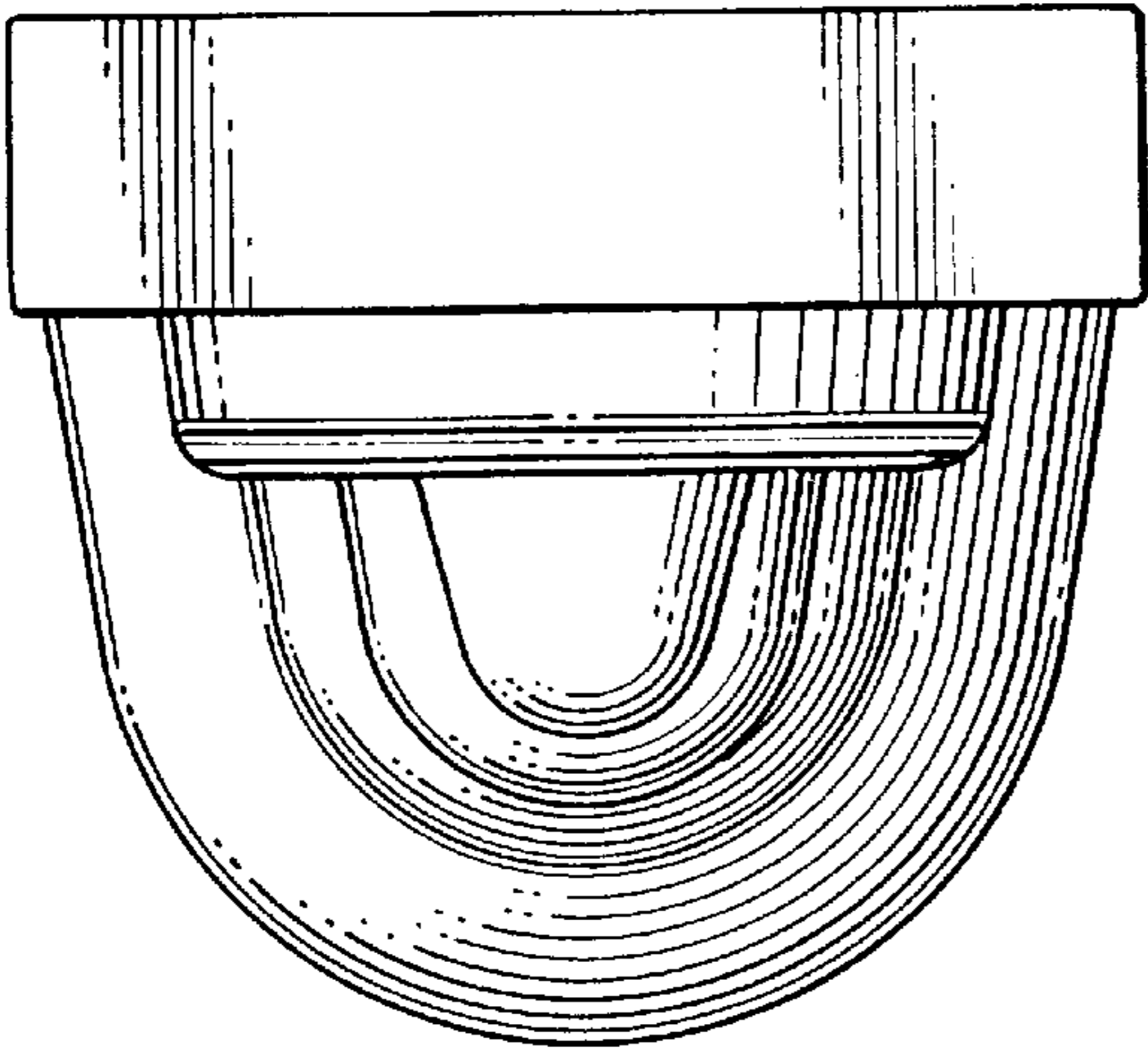


FIG. 2.

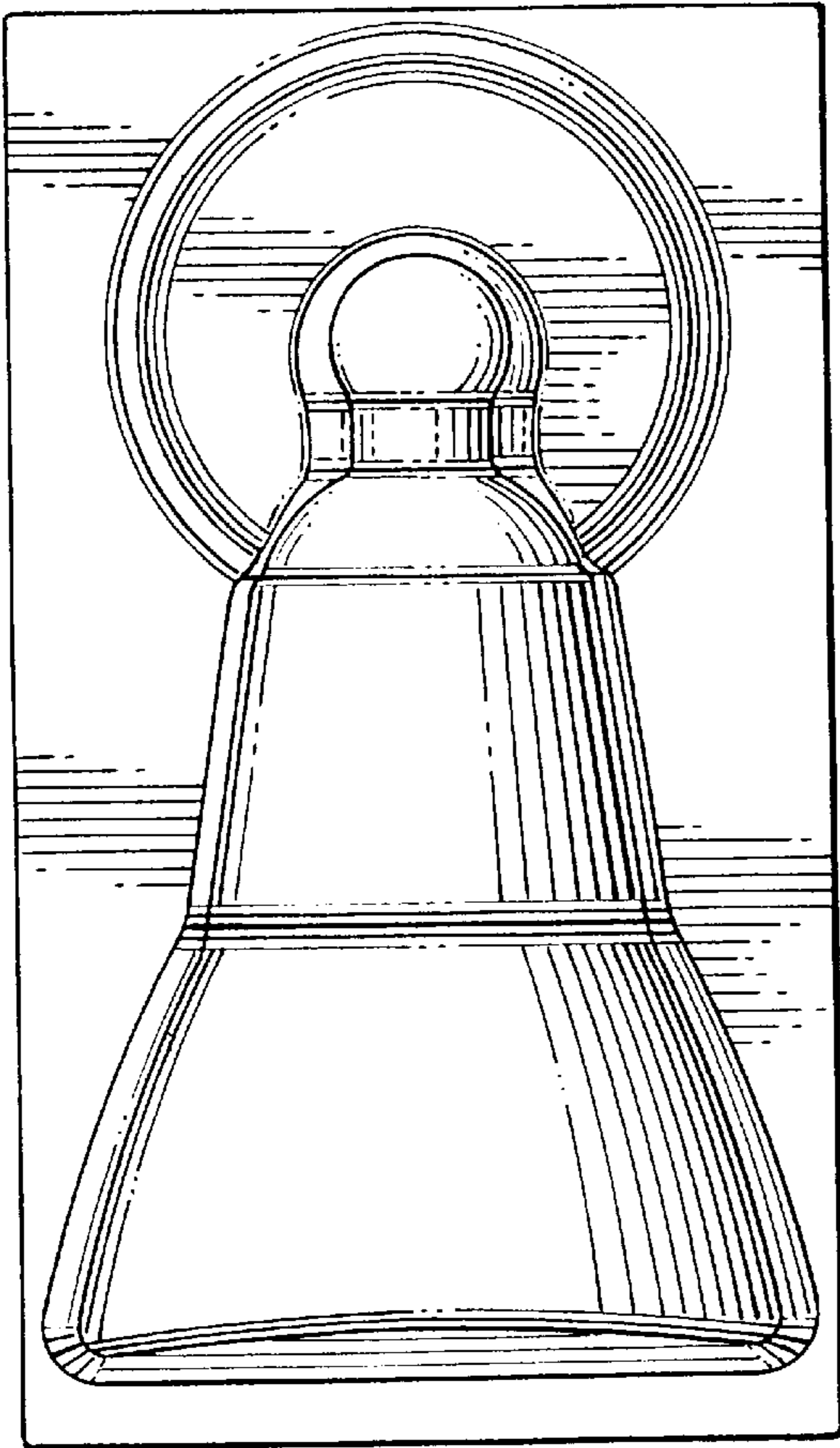


FIG. 1.

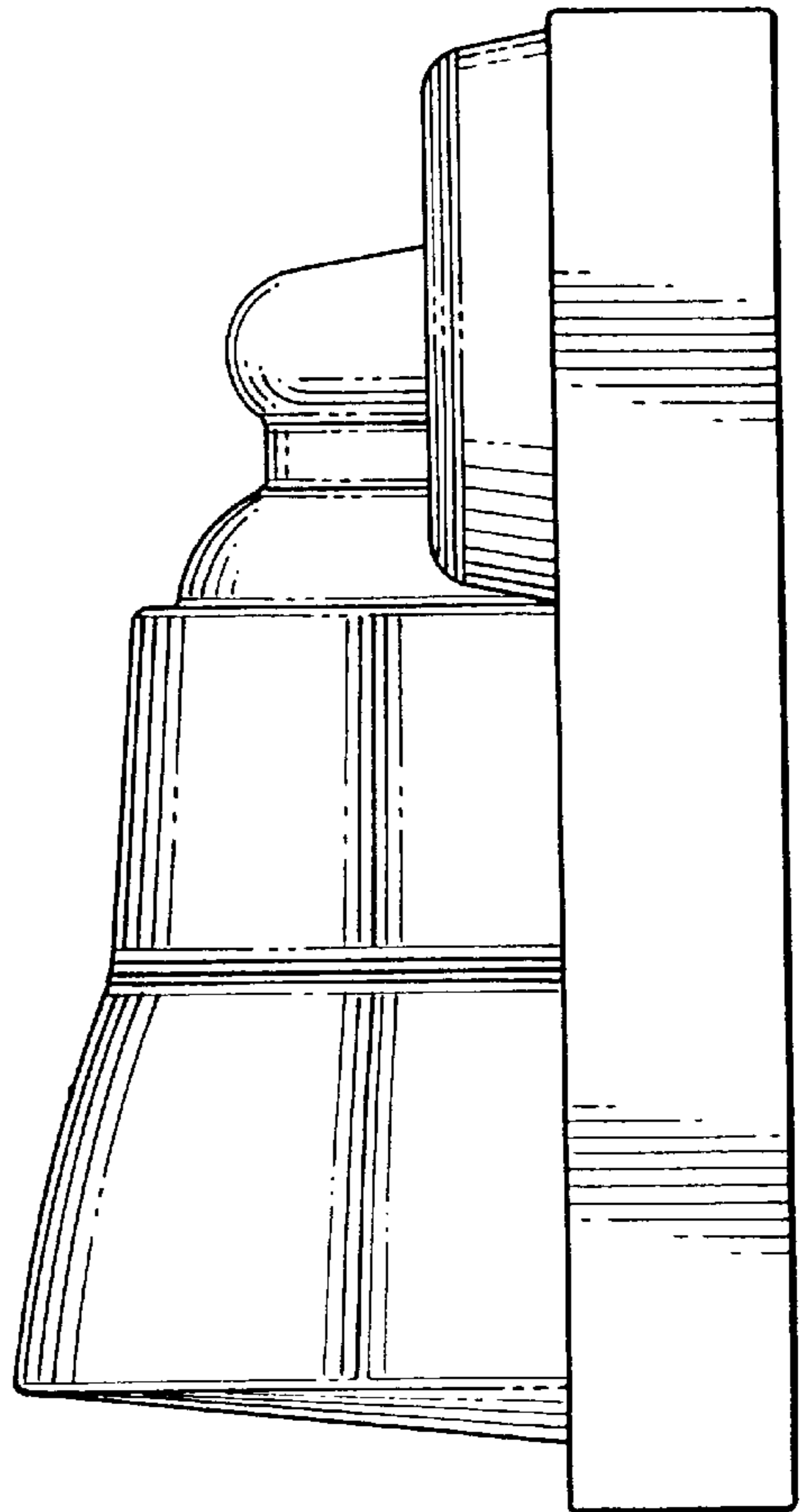


FIG. 3.