



US00D430018S

# United States Patent [19]

[11] Patent Number: Des. 430,018

Snider et al.

[45] Date of Patent: \*\* Aug. 29, 2000

[54] CONTAINER

[75] Inventors: Gregory S. Snider, Bel Air, Md.;  
Gregory W. Arnold, Shreveport, La.

[73] Assignee: Black & Decker Inc., Newark, Del.

[\*\*] Term: 14 Years

[21] Appl. No.: 29/108,884

[22] Filed: Aug. 5, 1999

[51] LOC (7) Cl. .... 09-07

[52] U.S. Cl. .... D9/415

[58] Field of Search ..... D9/415, 418, 424,  
D9/414, 337, 341, 455, 457; 206/461-471,  
806, 495, 349, 372, 378, 379, 553

### [56] References Cited

#### U.S. PATENT DOCUMENTS

D. 321,323	11/1991	Nakamura	.....	D9/415
D. 334,534	4/1993	Friz et al.	.	
D. 341,777	11/1993	Sheu	.	
D. 344,233	2/1994	Peters	.	
345,242	7/1886	Luthy	.	
D. 352,894	11/1994	Halaburda et al.	.....	D9/415
D. 365,022	12/1995	Wada	.	
D. 370,626	6/1996	Pass et al.	.	
D. 383,386	9/1997	Loubach	.	
D. 394,806	6/1998	Budert	.	
D. 408,281	4/1999	Chen	.	
D. 418,406	1/2000	Liao	.....	D9/415
D. 420,578	2/2000	Plumer	.....	D9/415
1,779,159	10/1930	Coe	.	
2,071,978	2/1937	Hines	.	
2,661,114	12/1953	Barnett et al.	.	
2,736,452	2/1956	Roop	.	
2,829,778	4/1958	Carabet	.....	206/320
3,703,234	11/1972	Howard	.	

4,402,423	9/1983	Skowronski et al.	.....	206/379
4,585,915	4/1986	Moore	.	
4,589,546	5/1986	Sunderland	.	
5,148,914	9/1992	Budert et al.	.	
5,456,358	10/1995	Schmidt	.....	206/378
5,520,285	5/1996	Mursch et al.	.	
5,628,400	5/1997	Feder	.	
5,746,316	5/1998	LaBarre	.....	206/379
5,975,294	11/1999	Hsi-Chang	.....	206/349

#### FOREIGN PATENT DOCUMENTS

485363	8/1952	Canada	.
239634	10/1911	Germany	.

#### OTHER PUBLICATIONS

Photographs of Limited Edition Black & Decker Drill Set (3).  
Maodern Packaging, p. 300, Jan. 1941.  
Techform Inc, Nov. 1982.

Primary Examiner—Prabhakar Deshmukh  
Attorney, Agent, or Firm—Harness, Dickey & Pierce, P.L.C.

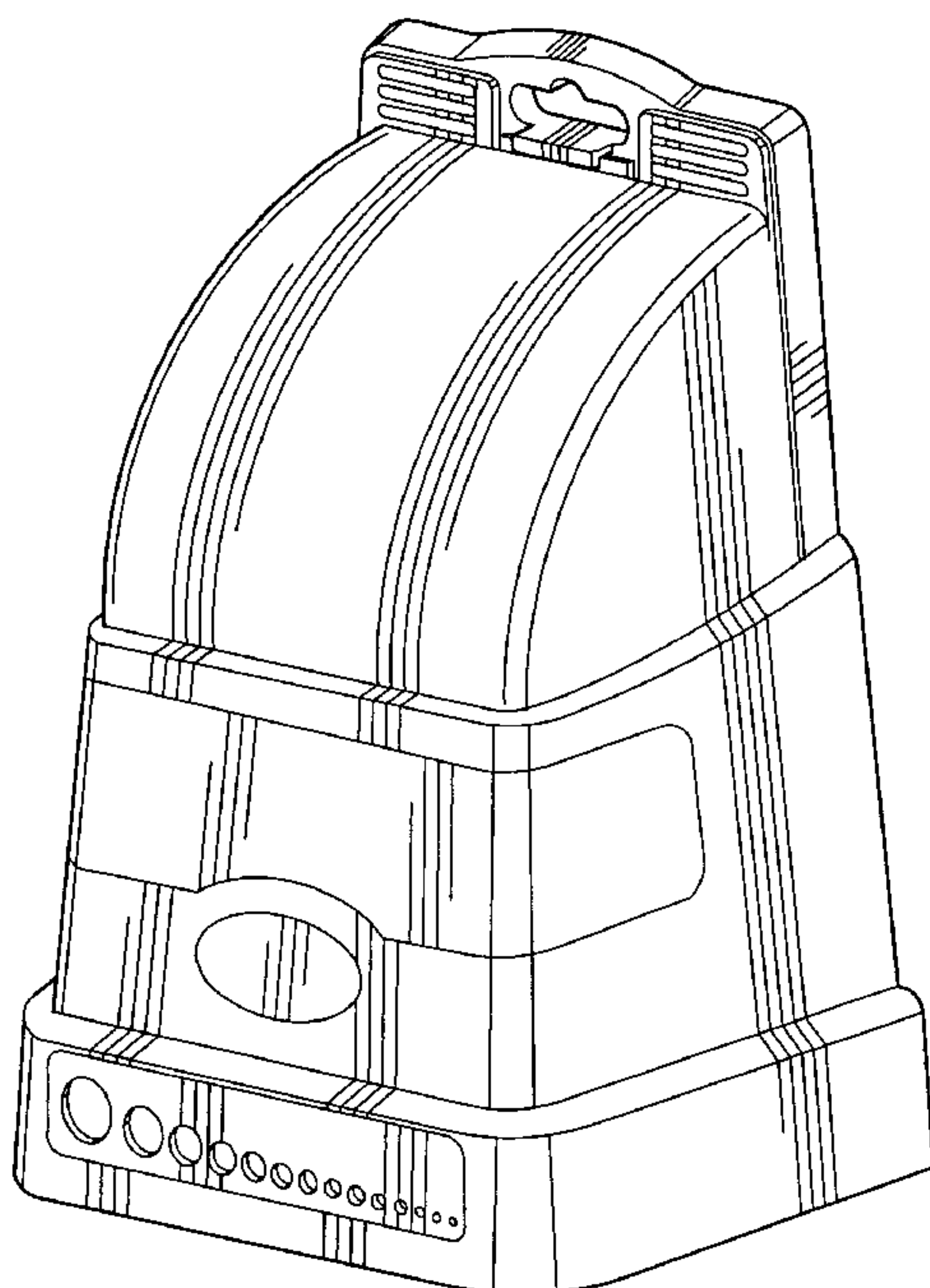
### [57] CLAIM

The ornamental design for a container, as shown and described.

#### DESCRIPTION

FIG. 1 is a front perspective view of a container shown in the closed position;  
FIG. 2 is a front perspective view in the open position;  
FIG. 3 is a right side view thereof;  
FIG. 4 is a left side view thereof;  
FIG. 5 is a front view thereof;  
FIG. 6 is a rear view thereof;  
FIG. 7 is a top view thereof; and,  
FIG. 8 is a bottom view thereof.

1 Claim, 4 Drawing Sheets



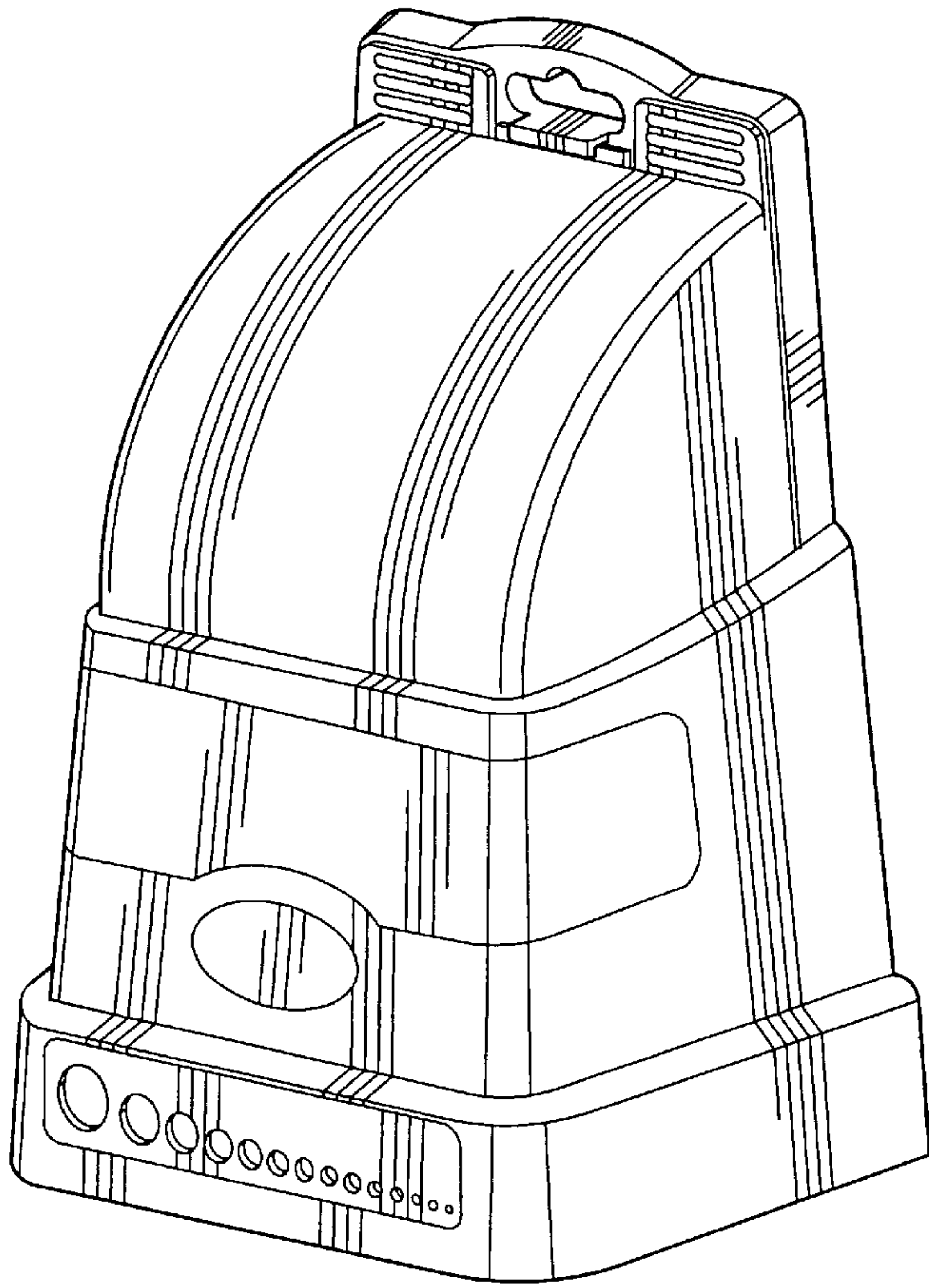


Fig-1

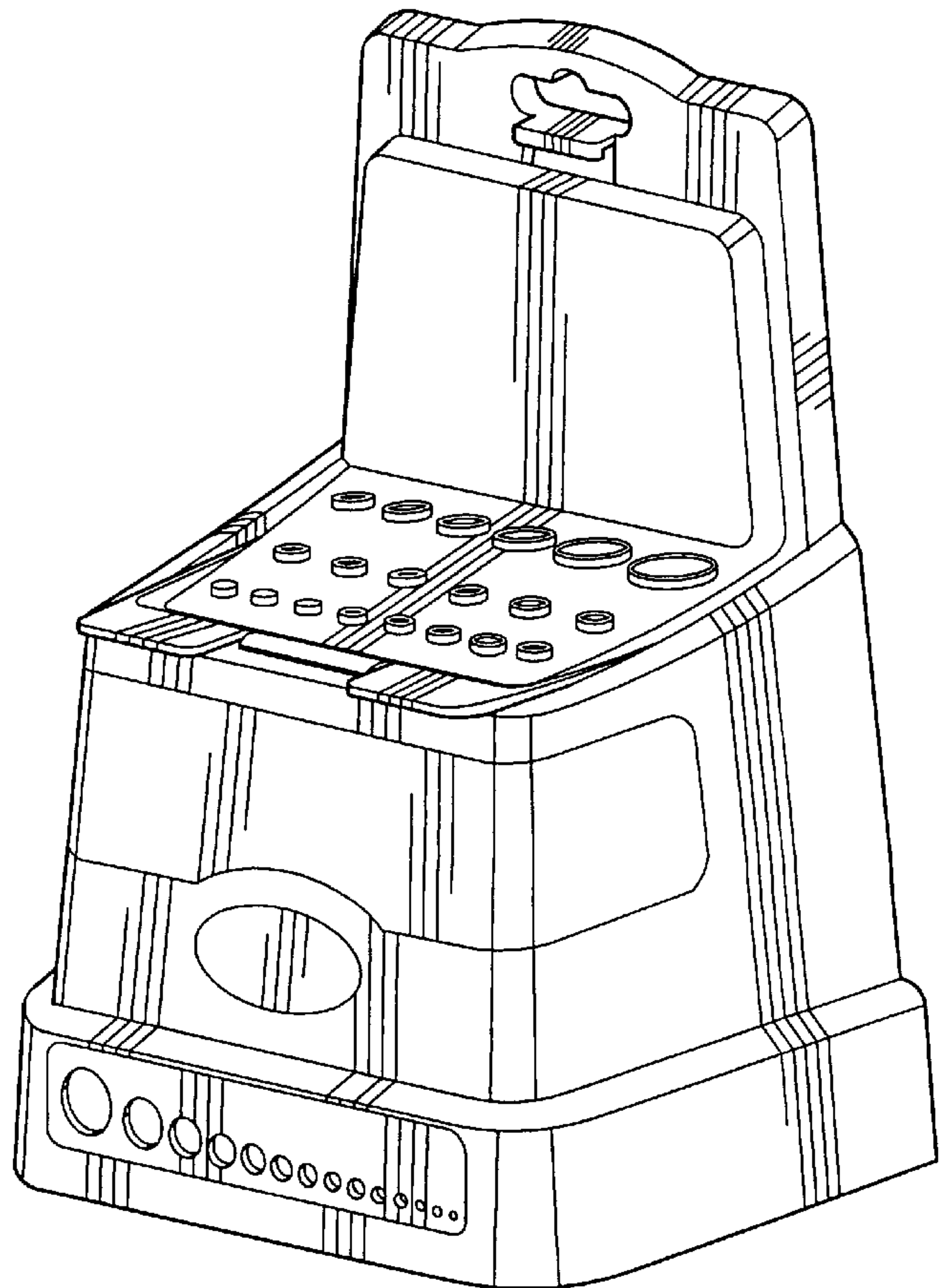


Fig-2

Fig-3

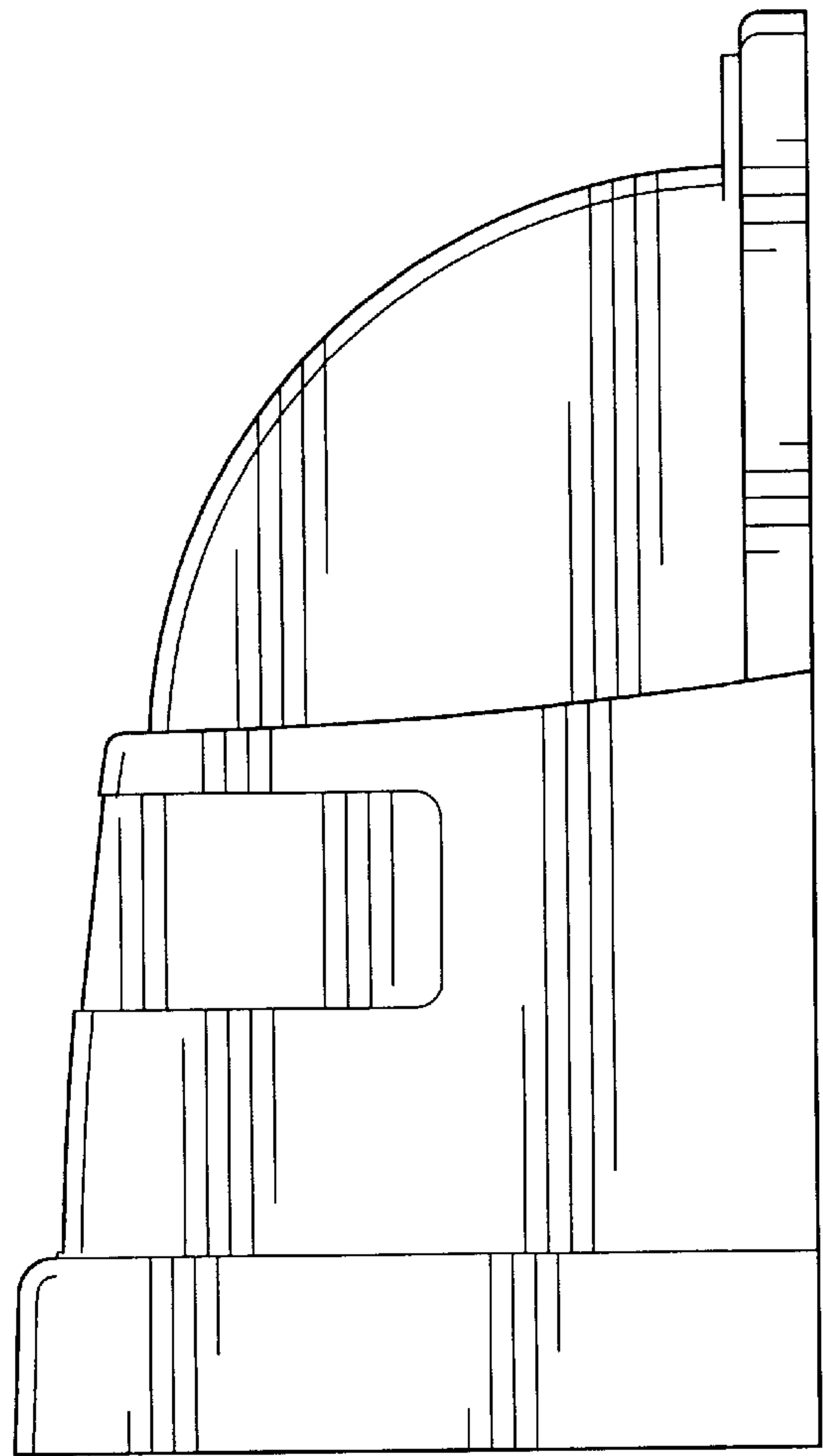
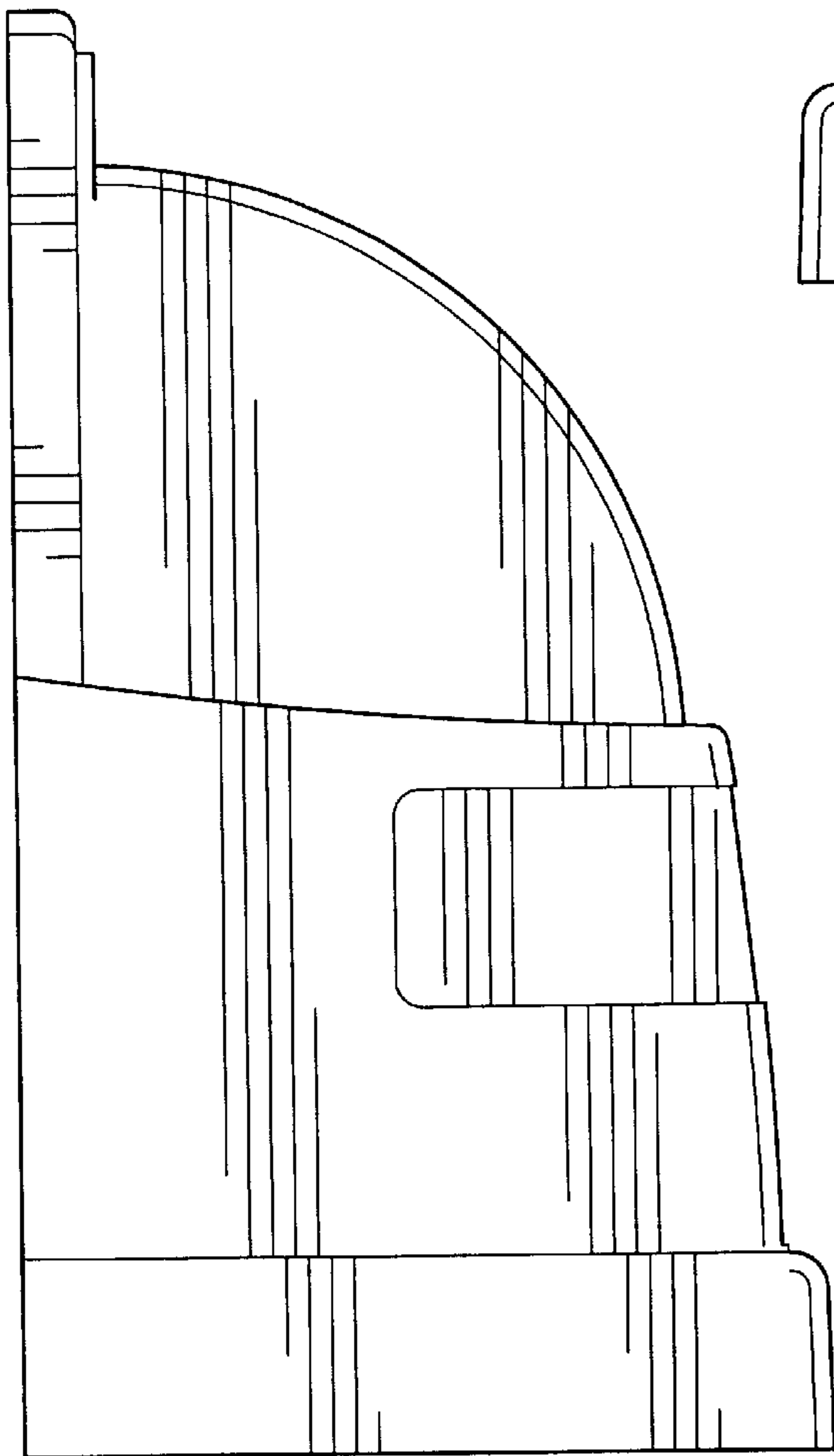


Fig-4



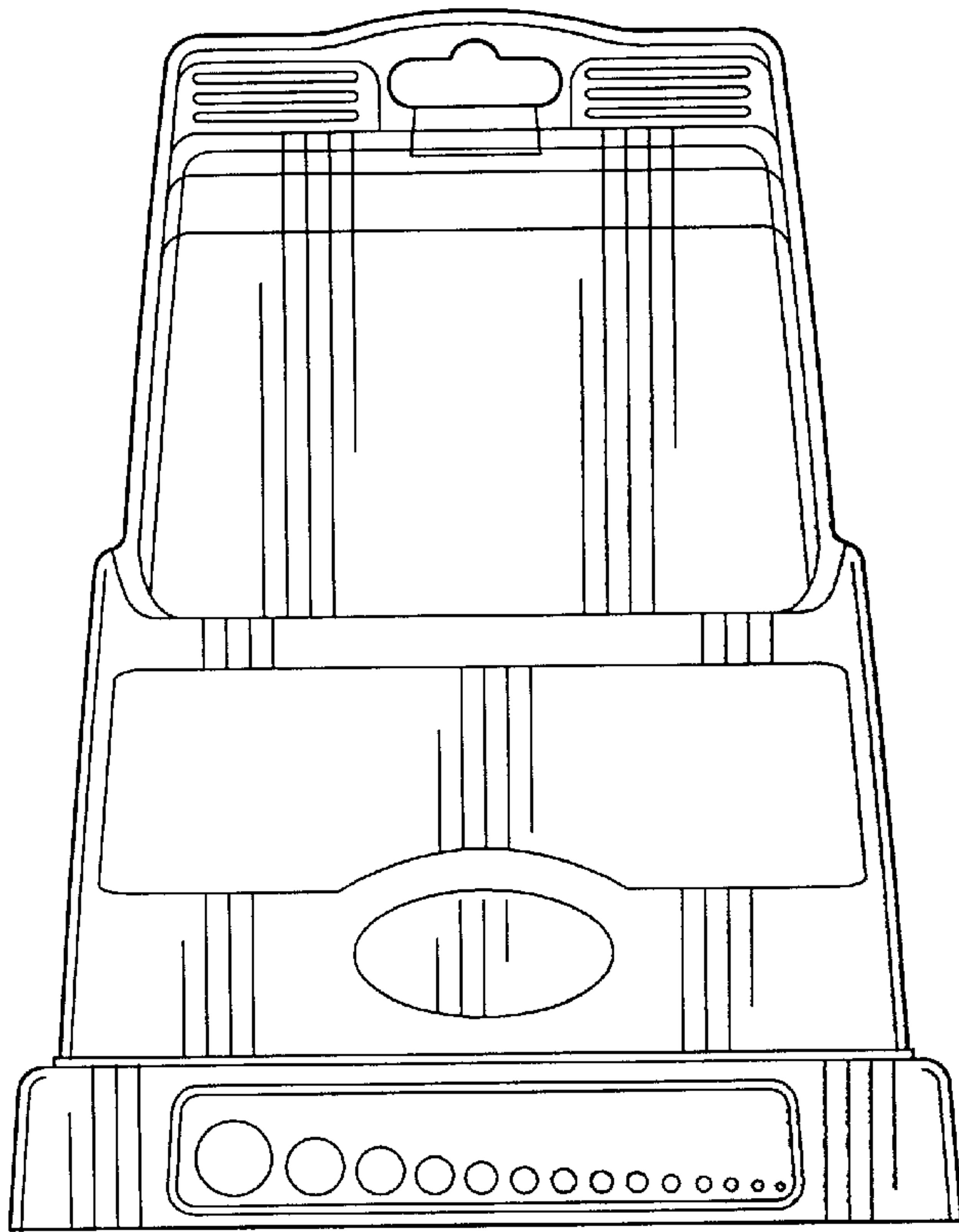


Fig-5

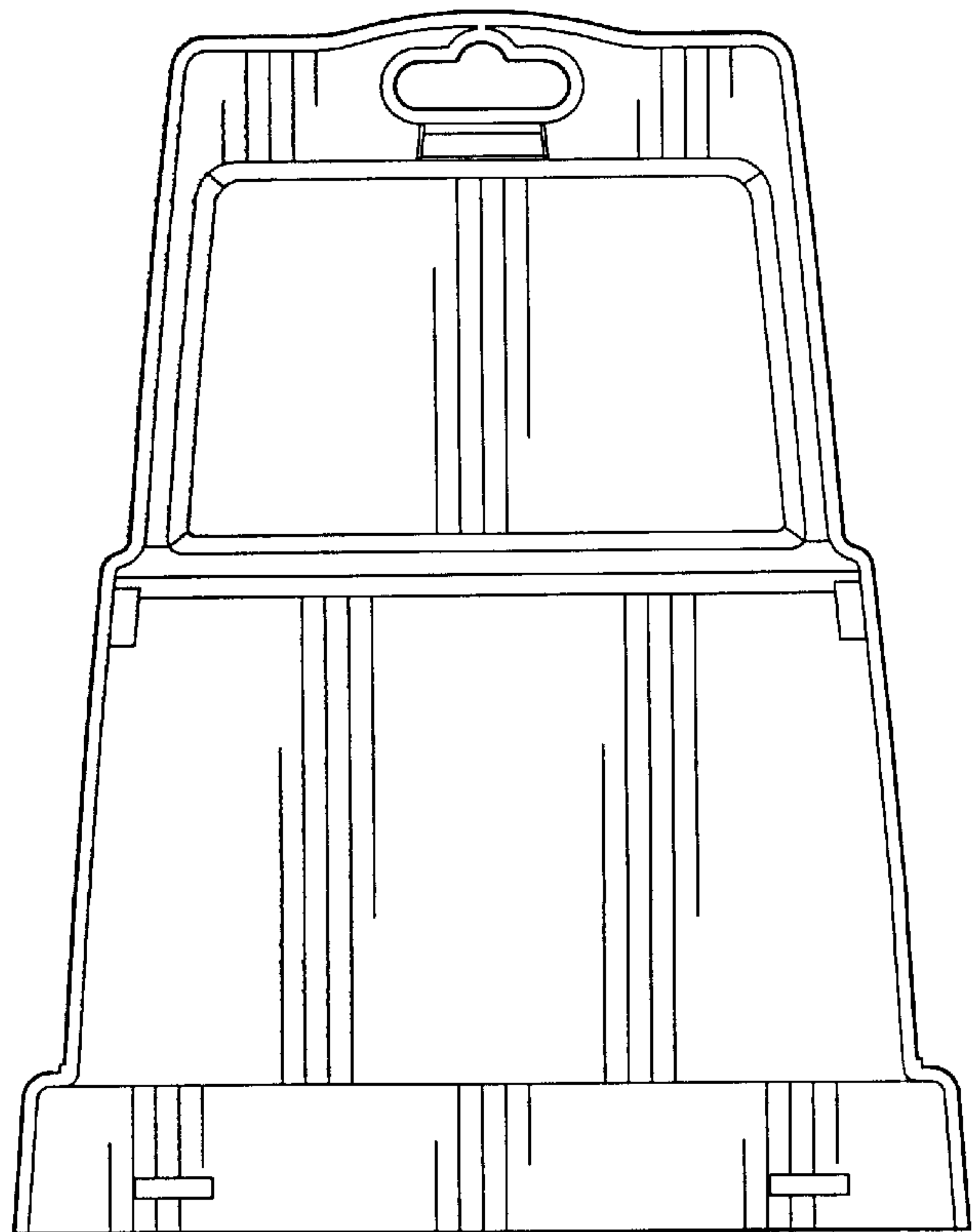


Fig-6

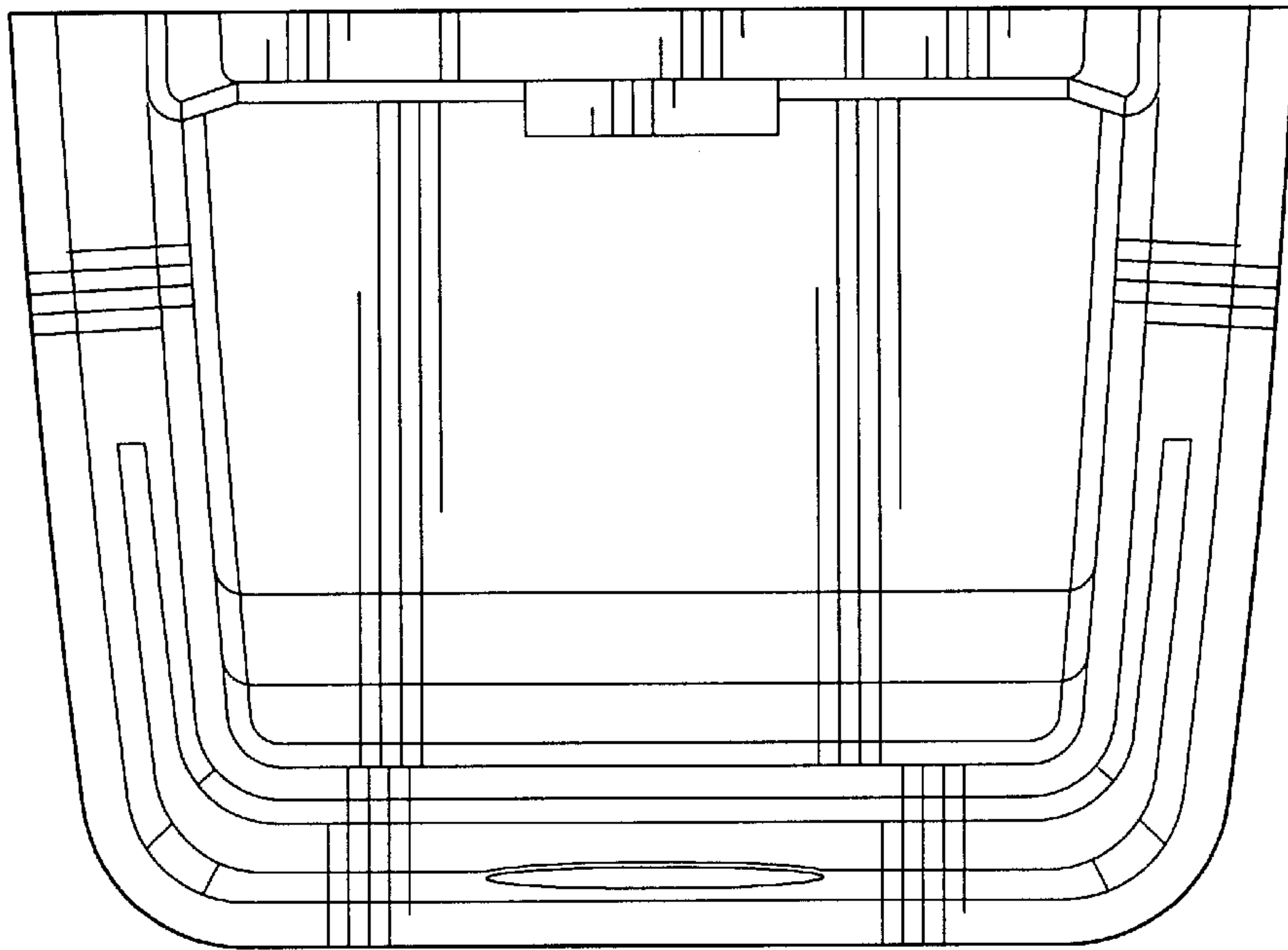


Fig-7

Fig-8

