



US00D430013S

United States Patent [19]

Shurtleff et al.

[11] Patent Number: Des. 430,013

[45] Date of Patent: ** Aug. 29, 2000

[54] RAZOR CARTRIDGE DISPENSER

[75] Inventors: **Jill Marie Shurtleff**, South Boston;
John D. Petricca, Leominster, both of
Mass.

[73] Assignee: **The Gillette Company**, Boston, Mass.

[**] Term: **14 Years**

[21] Appl. No.: **29/108,564**

[22] Filed: **Jul. 29, 1999**

[51] LOC (7) Cl. **28-03**

[52] U.S. Cl. **D9/342; D9/341; D9/425**

[58] Field of Search D28/44, 73-75;
D9/340, 341, 342, 345, 425, 456; D24/229;
D19/75, 77, 92; D7/553.1, 553.2, 553.3,
554.3, 554.4, 555, 701, 357; D3/304, 314,
315, 319, 901; 30/34.05, 40, 40.2, 41, 47,
535, 536; 206/557-565, 208, 228, 349-356,
581; 220/500, 507, 555

[56] References Cited

U.S. PATENT DOCUMENTS

- D. 133,046 7/1942 Wade D7/672
- D. 168,287 12/1952 Burgess D9/347
- D. 201,485 6/1965 Rulli D28/73
- D. 216,635 2/1970 Grange D9/342
- D. 231,198 4/1974 Casselli et al. .
- D. 236,437 8/1975 Leathers D9/342
- D. 244,580 6/1977 Keough D9/456
- D. 247,349 2/1978 Carr .
- D. 256,996 9/1980 Kiraly .
- D. 256,997 9/1980 Motta .
- D. 256,998 9/1980 Motta .
- D. 280,933 10/1985 McLaughlin D24/229

- D. 312,568 12/1990 Gray D9/342
- D. 340,250 10/1993 Lux, Jr. D7/553.3 X
- D. 358,761 5/1995 Ho D9/341
- D. 362,517 9/1995 Pirmayer D9/342 X
- D. 366,611 1/1996 Poisson D9/342
- D. 397,290 8/1998 Petricca et al. D9/342
- D. 398,522 9/1998 Petricca et al. D9/342
- D. 398,523 9/1998 Petricca et al. D9/342
- 3,771,223 11/1973 Dawidowicz et al. 206/354 X
- 3,854,201 12/1974 Dawidowicz et al. 206/356 X
- 3,879,844 4/1975 Griffiths 30/41.7
- 4,173,285 11/1979 Kiraly et al. 206/356
- 4,832,208 5/1989 Finnegan 206/564 X
- 5,154,294 10/1992 Dunford 206/564 X
- 5,518,114 5/1996 Kohring et al. 206/352
- 5,636,442 6/1997 Wain 30/40.2

FOREIGN PATENT DOCUMENTS

1160542 8/1969 United Kingdom .

Primary Examiner—Catherine Tuttle
Attorney, Agent, or Firm—Fish & Richardson P.C.

[57] CLAIM

The ornamental design for a razor cartridge dispenser, as shown and described.

DESCRIPTION

FIG. 1 is a perspective view of a razor cartridge dispenser as seen from the top, front and right side; FIG. 2 is a right side elevational view thereof, the left side elevation being a mirror image; FIG. 3 is a top plan view thereof; FIG. 4 is a front elevational view thereof; FIG. 5 is a rear elevational view thereof; and, FIG. 6 is a bottom plan view.

1 Claim, 3 Drawing Sheets

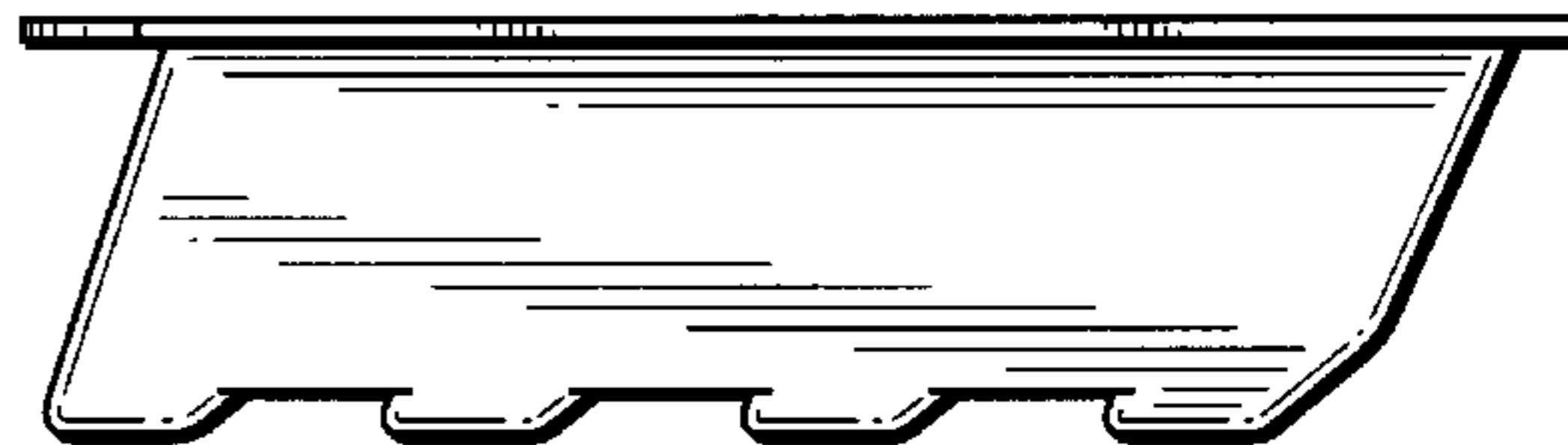
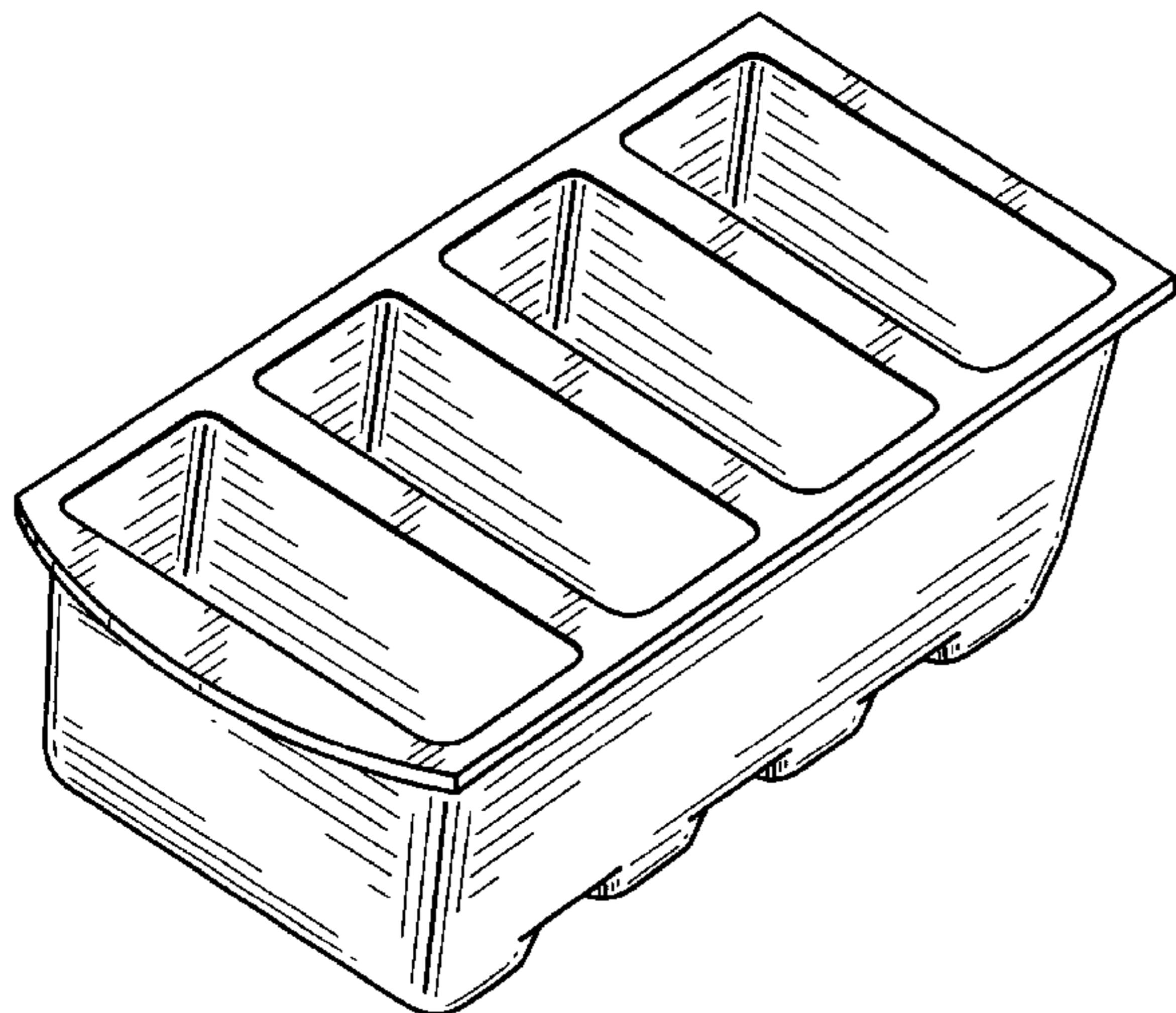


FIG. 1

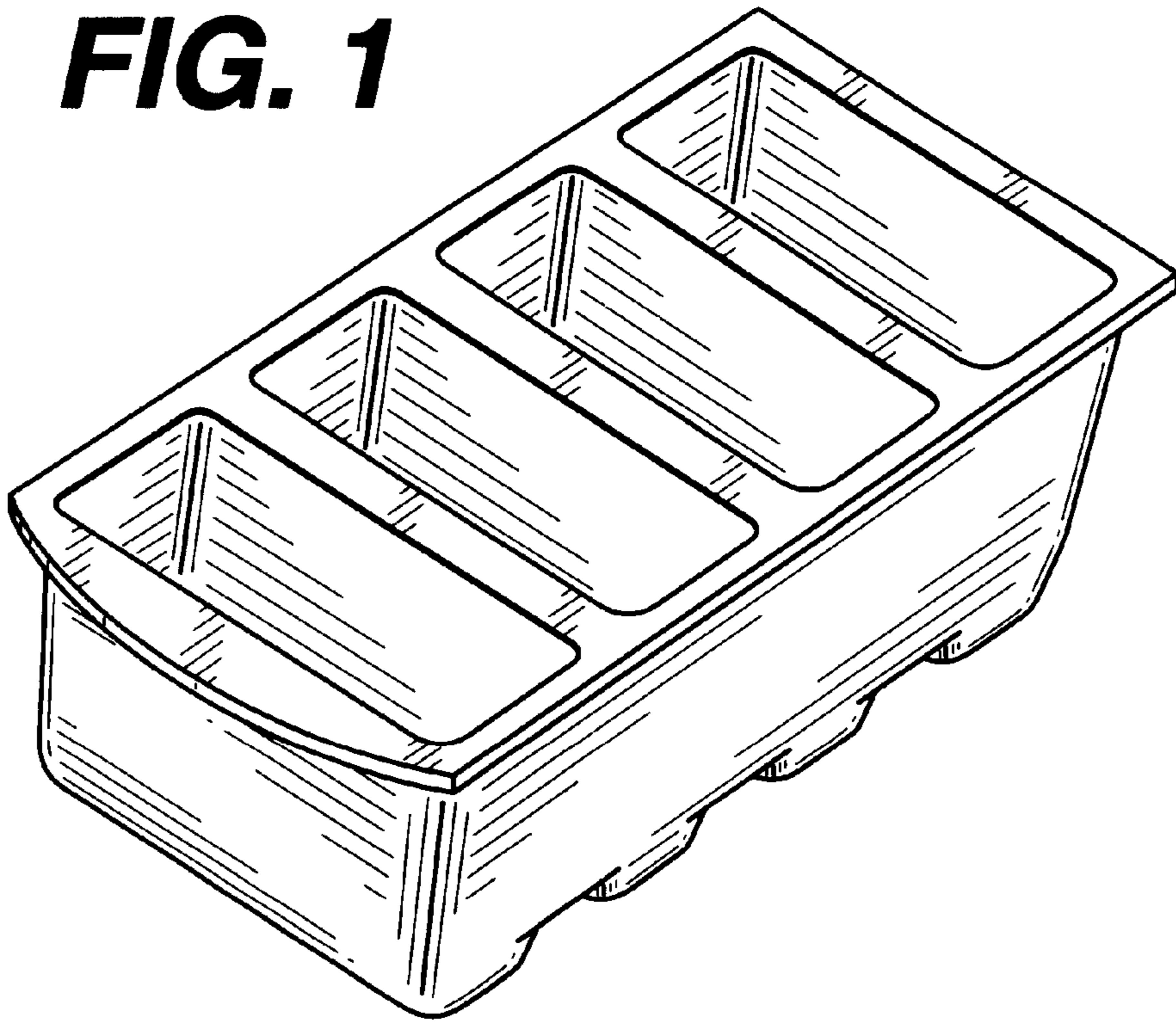


FIG. 2



FIG. 3

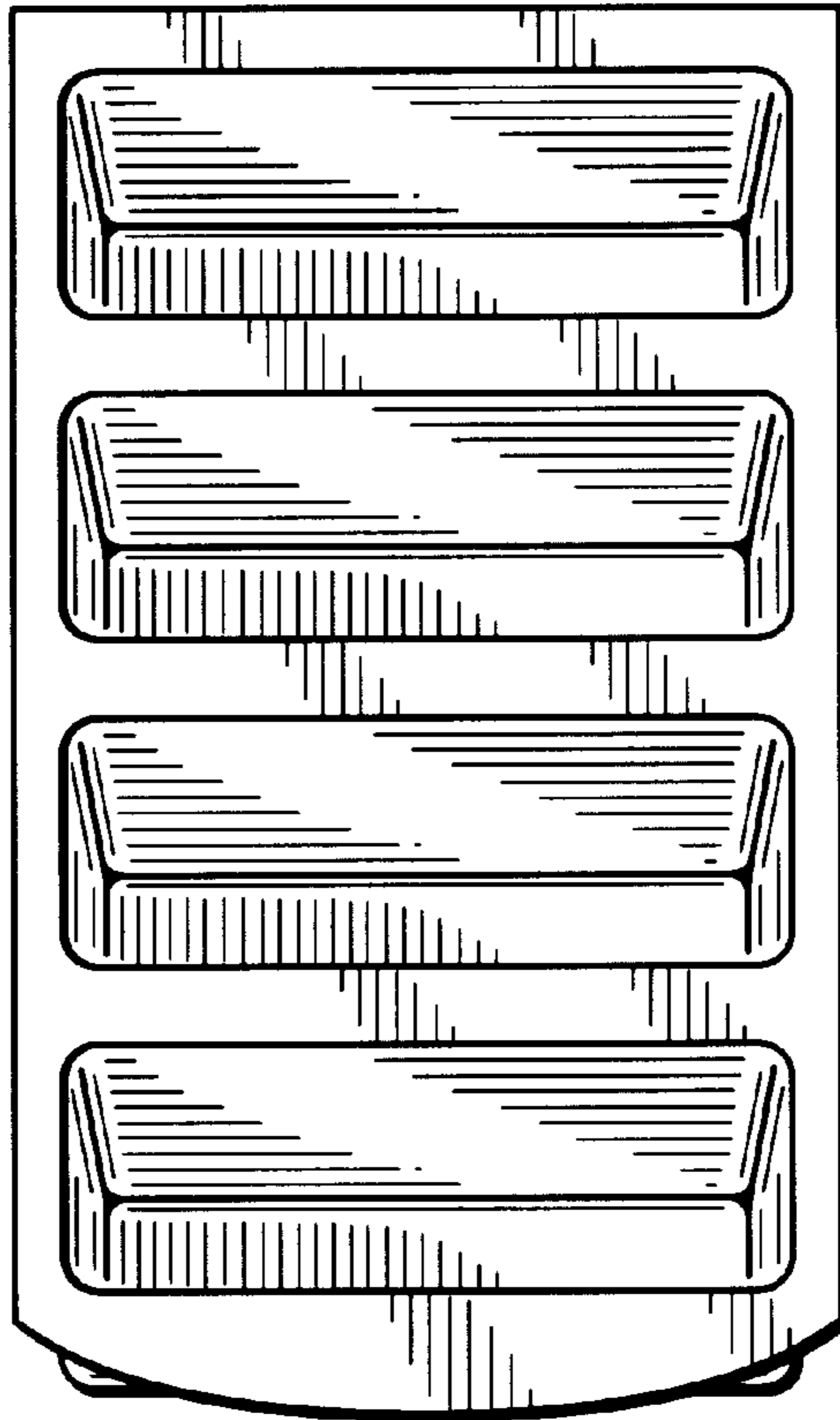


FIG. 4

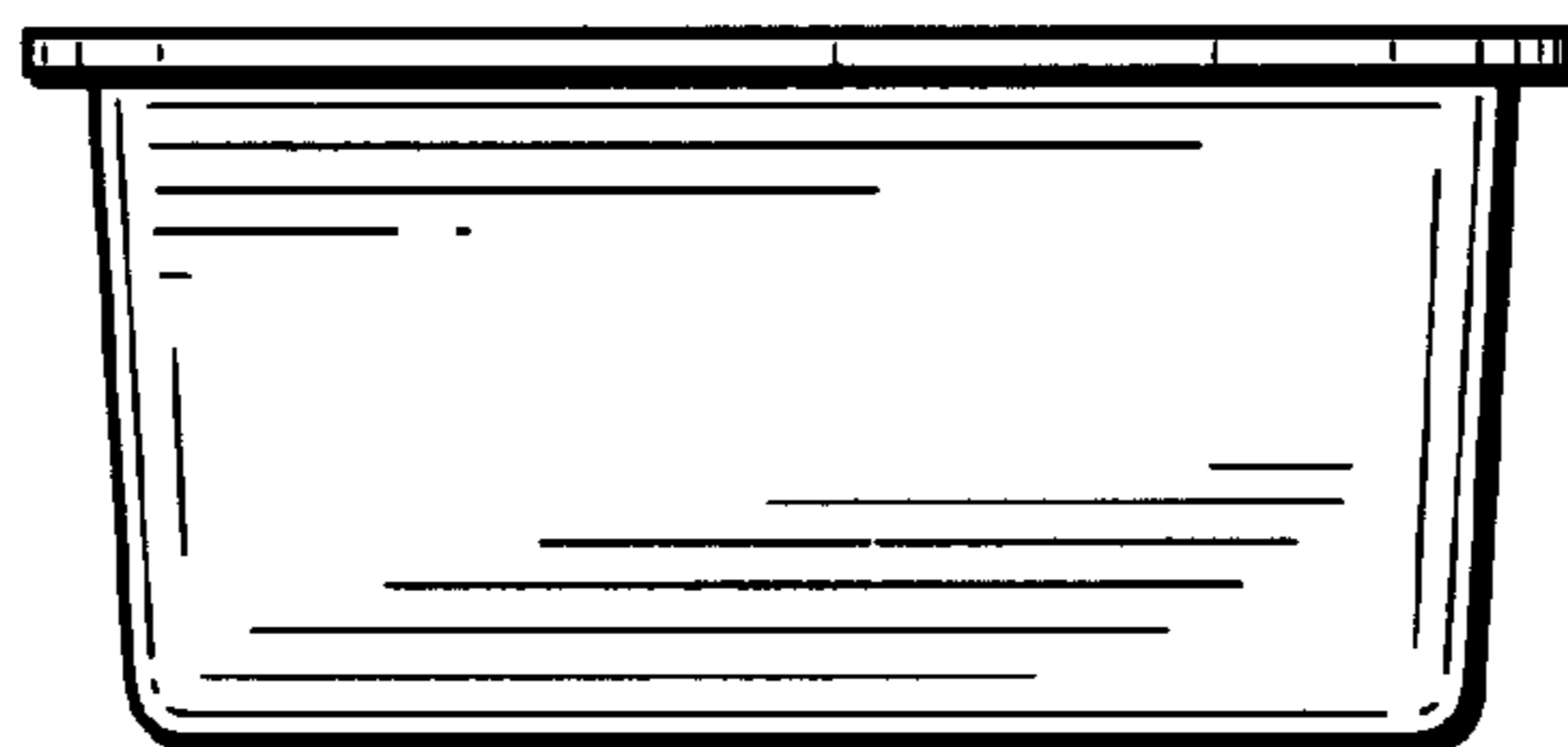


FIG. 5

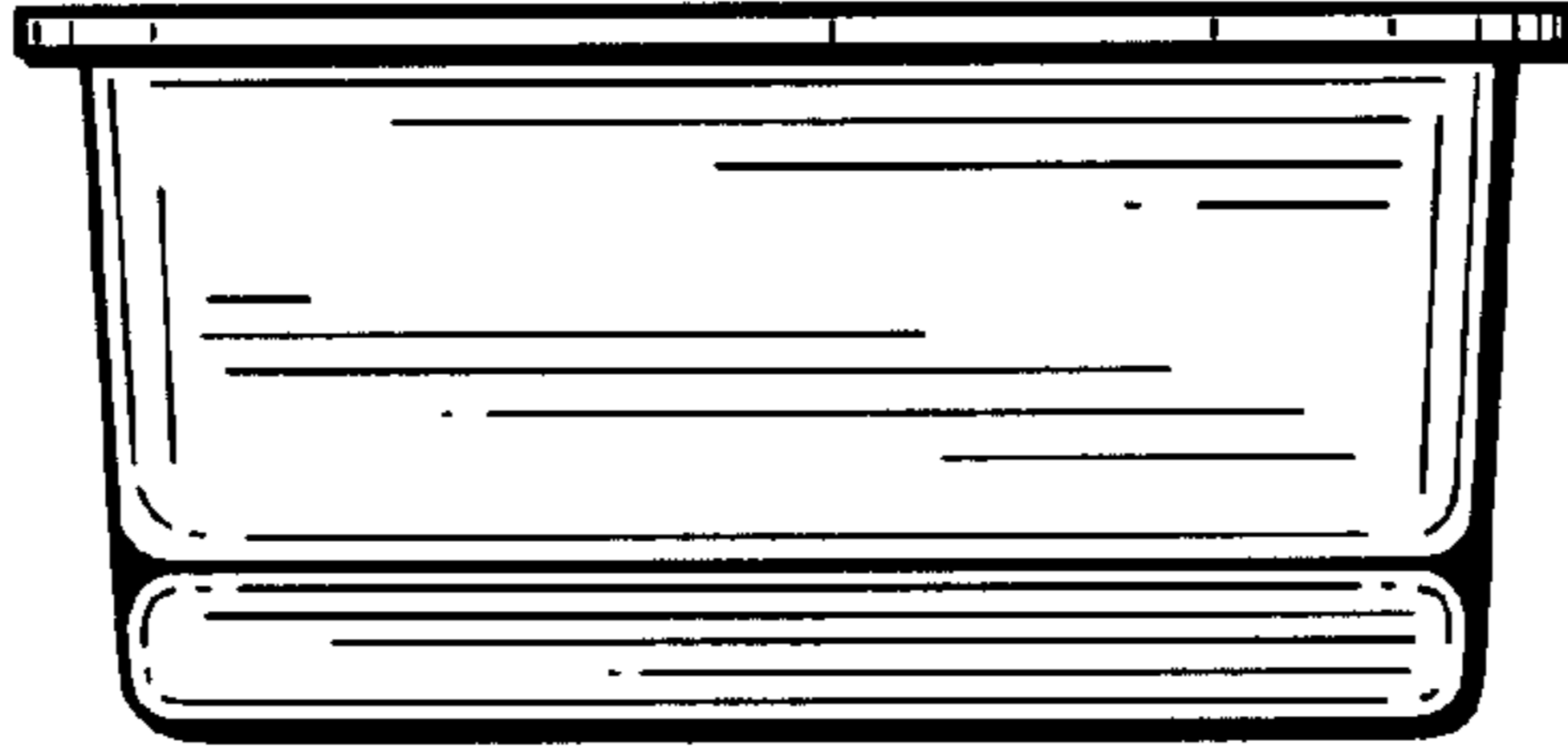


FIG. 6

