



US00D430012S

United States Patent [19] Crawford

[11] Patent Number: Des. 430,012

[45] Date of Patent: ** Aug. 29, 2000

[54] DISPENSER

[75] Inventor: John C. Crawford, Mahopac, N.Y.

[73] Assignee: Colgate-Palmolive Company, New York, N.Y.

[**] Term: 14 Years

[21] Appl. No.: 29/102,456

[22] Filed: Mar. 19, 1999

D. 323,292	1/1992	Jones	D9/529 X
D. 332,914	2/1993	Stephens .	
D. 334,712	4/1993	Turner-Adams .	
D. 341,315	11/1993	Seymour	D9/529 X
D. 342,677	12/1993	Cazaudehore .	
D. 351,926	10/1994	Nakashima et al. .	
D. 352,458	11/1994	Gray	D9/529 X
D. 374,817	10/1996	Bertolini et al. .	
D. 376,048	12/1996	Gerhart et al. .	
D. 380,155	6/1997	Poisson .	
718,969	1/1903	Altshul	401/176
4,571,106	2/1986	Scuderi .	

Related U.S. Application Data

[63] Continuation-in-part of application No. 29/082,390, Jan. 21, 1998.

[51] LOC (7) Cl. 09-99

[52] U.S. Cl. D9/338

[58] Field of Search D9/337-339, 503, D9/517-520, 529, 571-575; D28/7, 76, 82; 206/229, 581, 823; 401/95, 172, 175, 176, 179

OTHER PUBLICATIONS

Digital photographs of container for BRUT Clear Gel Anti-Perspirant by Faberge, undated.

Primary Examiner—Nanda Bondade
Attorney, Agent, or Firm—Michael J. McGreal

[56] References Cited

U.S. PATENT DOCUMENTS

D. 216,294	12/1969	Rias .	
D. 248,214	6/1978	Dinuccio .	
D. 308,330	6/1990	Teece .	
D. 308,476	6/1990	Rosenberg .	
D. 320,310	10/1991	Kuhn	D9/338 X
D. 321,596	11/1991	Zierhut .	

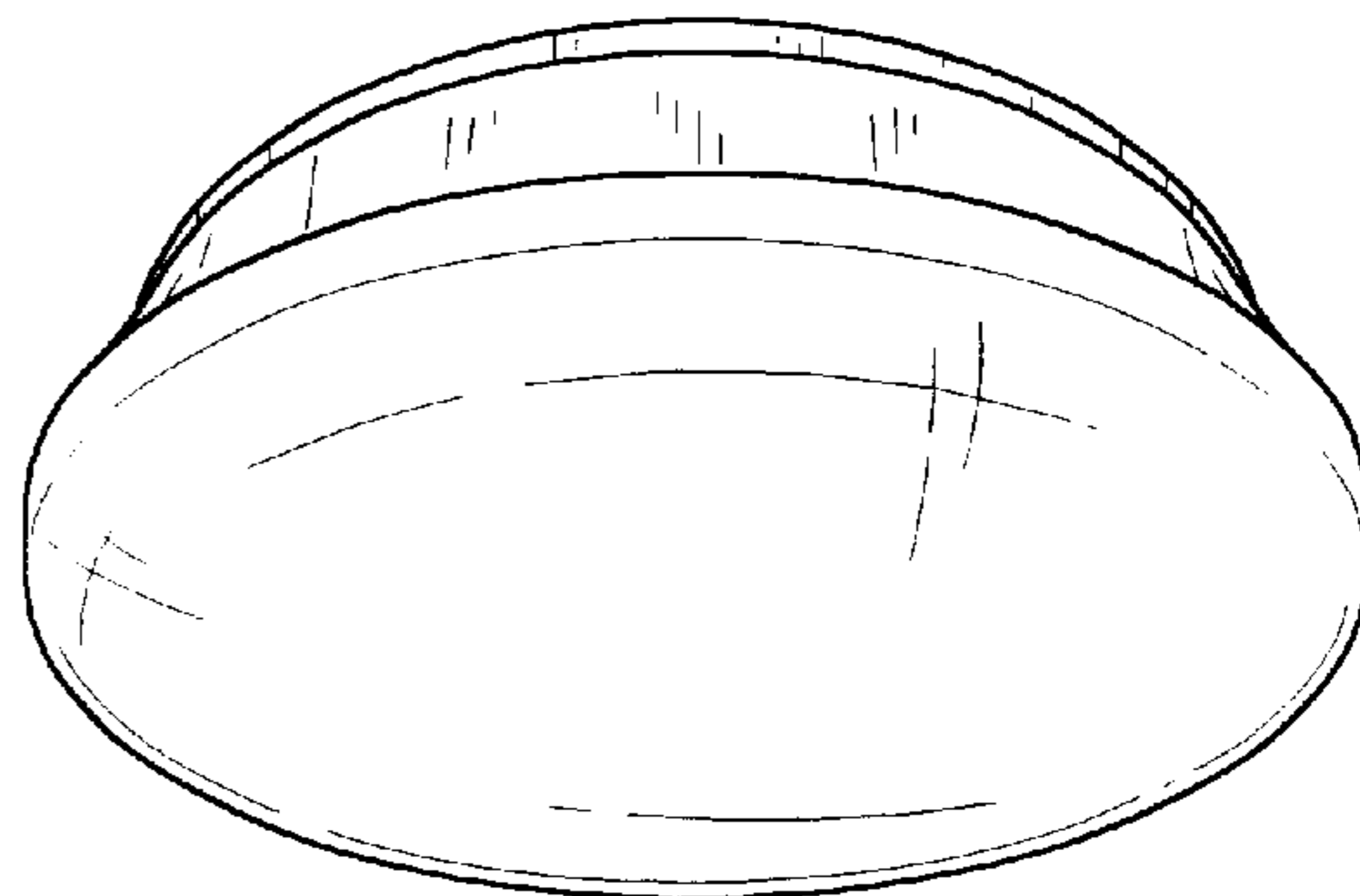
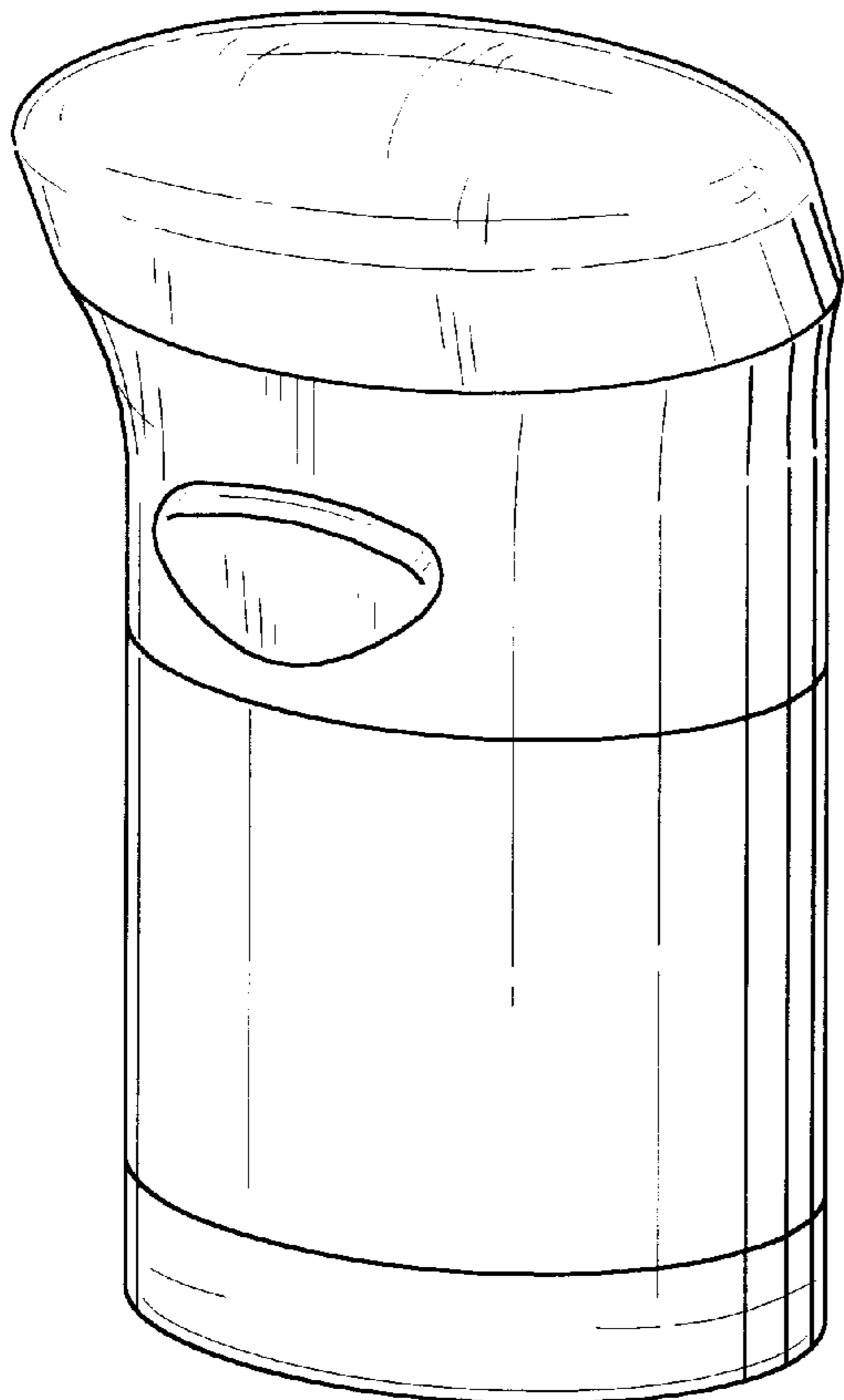
[57] CLAIM

The ornamental design for a dispenser, as shown and described.

DESCRIPTION

FIG. 1 is a perspective view of my design for a dispenser. FIG. 2 is a right and side elevation view thereof. FIG. 3 is a front elevation view thereof. FIG. 4 is a rear elevation view thereof. FIG. 5 is a top plan view thereof; and, FIG. 6 is a bottom plan view thereof.

1 Claim, 3 Drawing Sheets



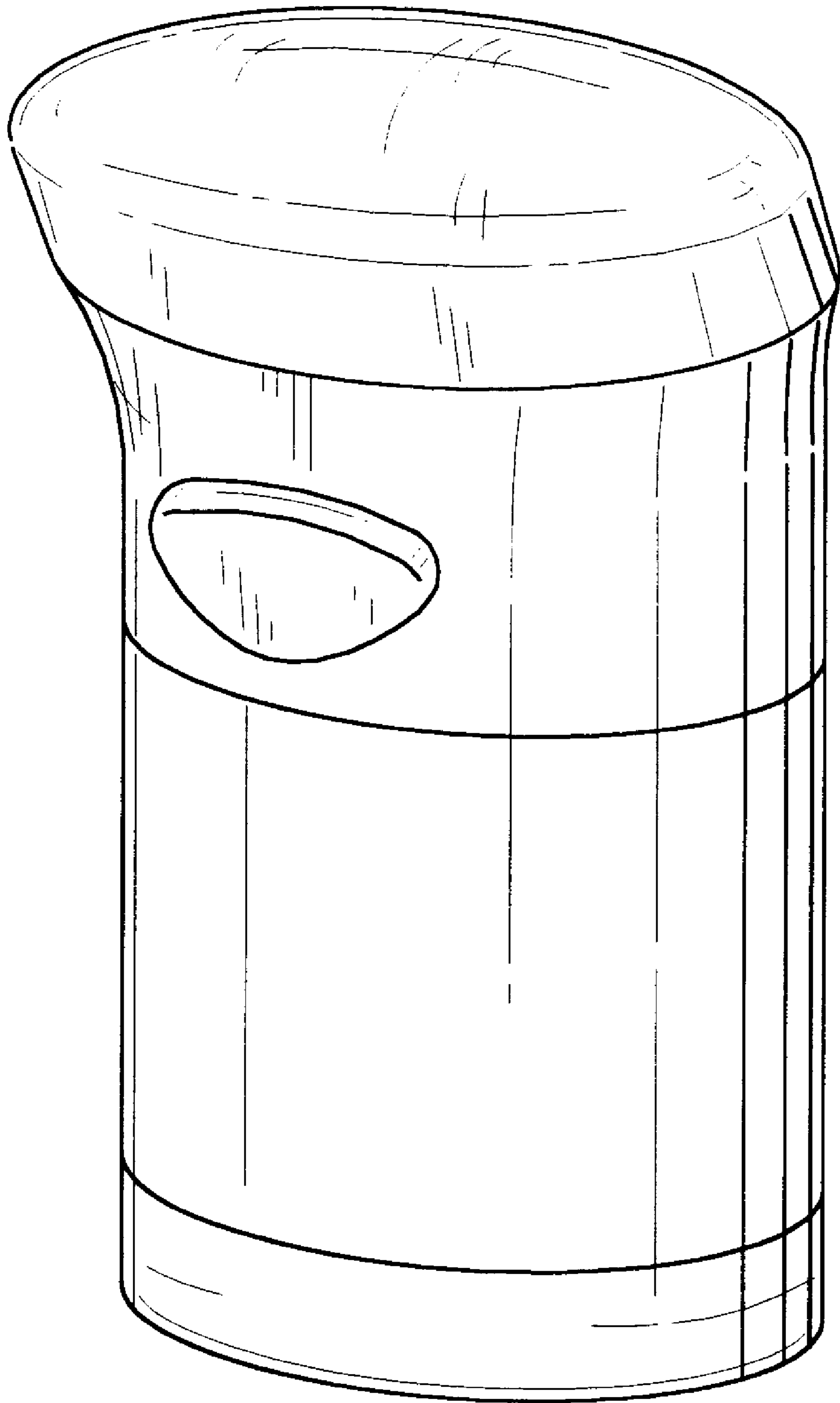


FIG. 1

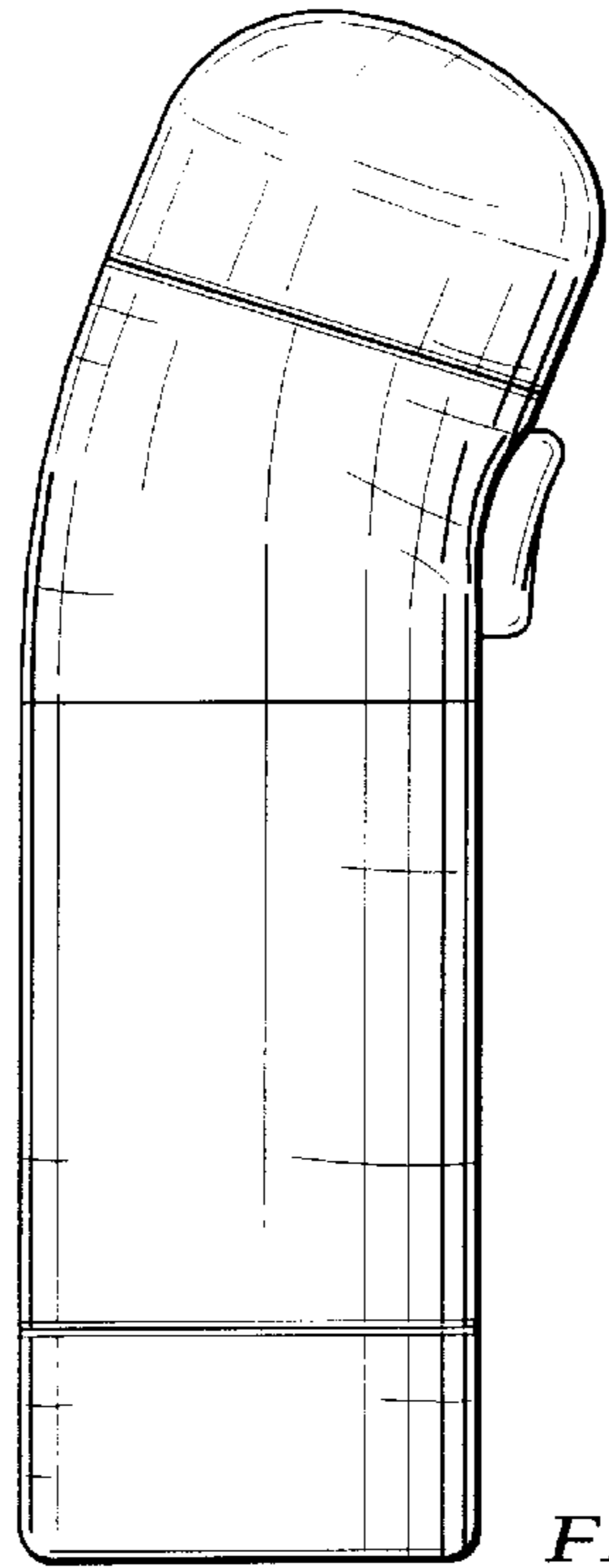


FIG. 2

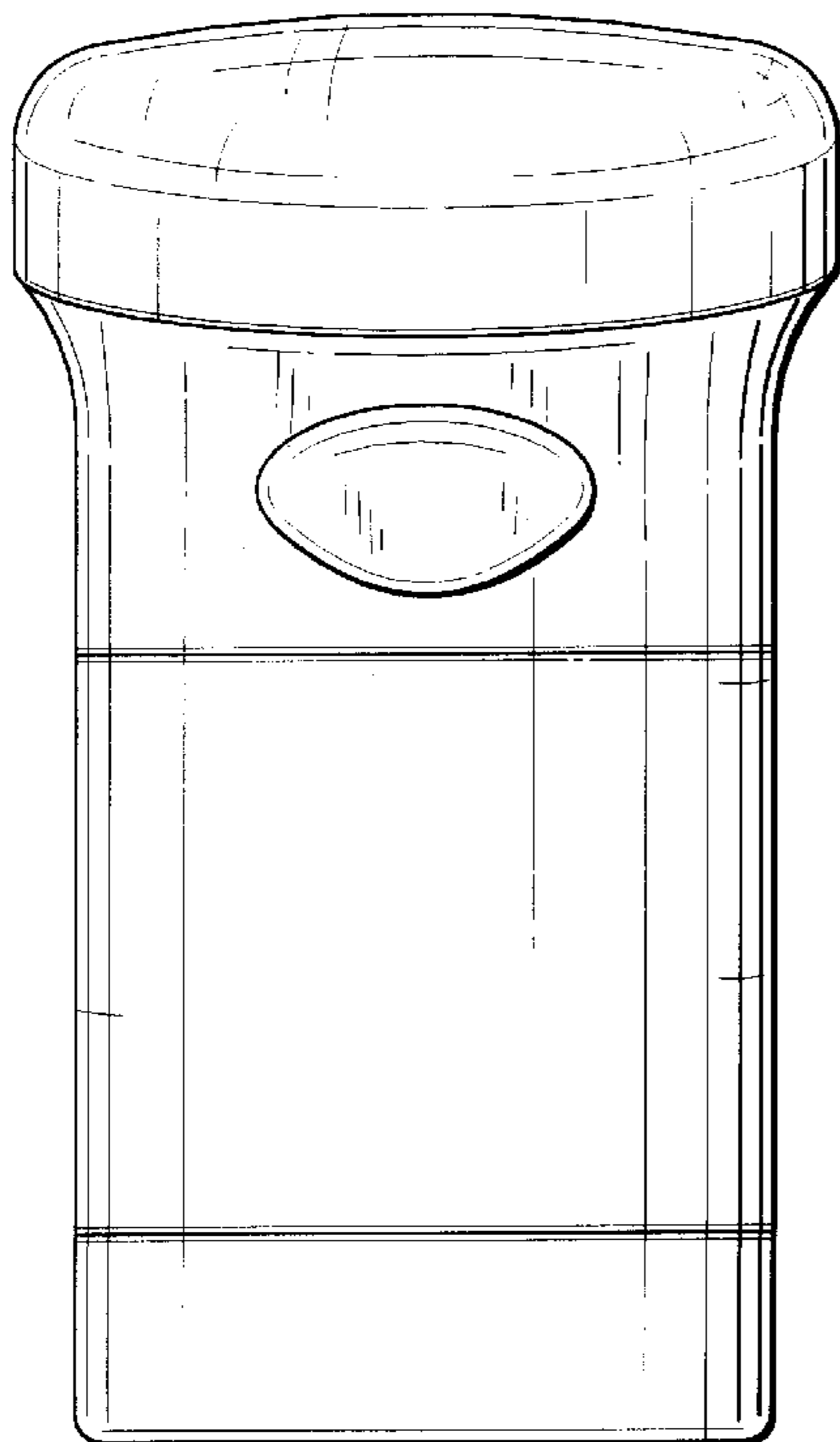


FIG. 3

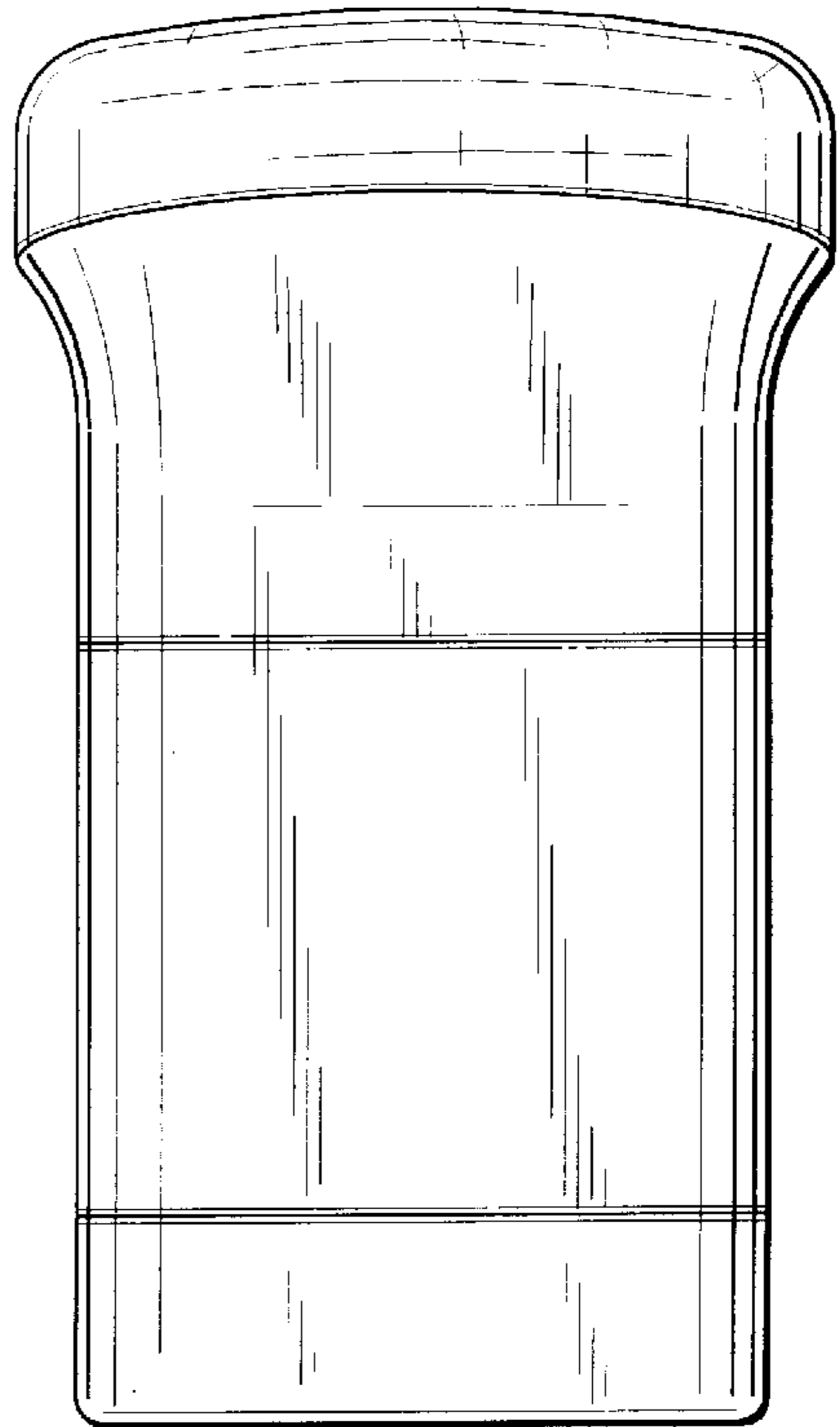


FIG. 4

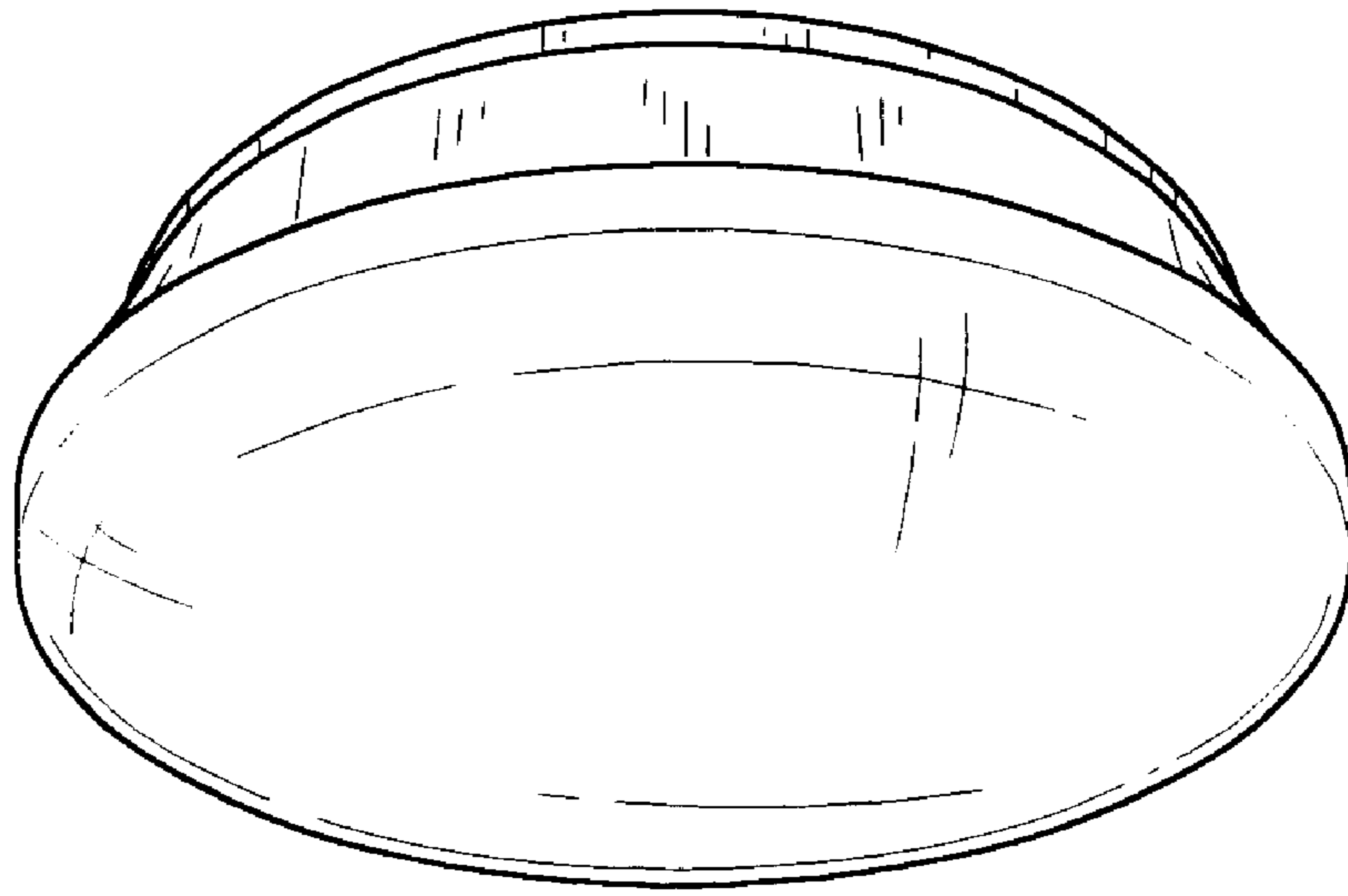


FIG. 5

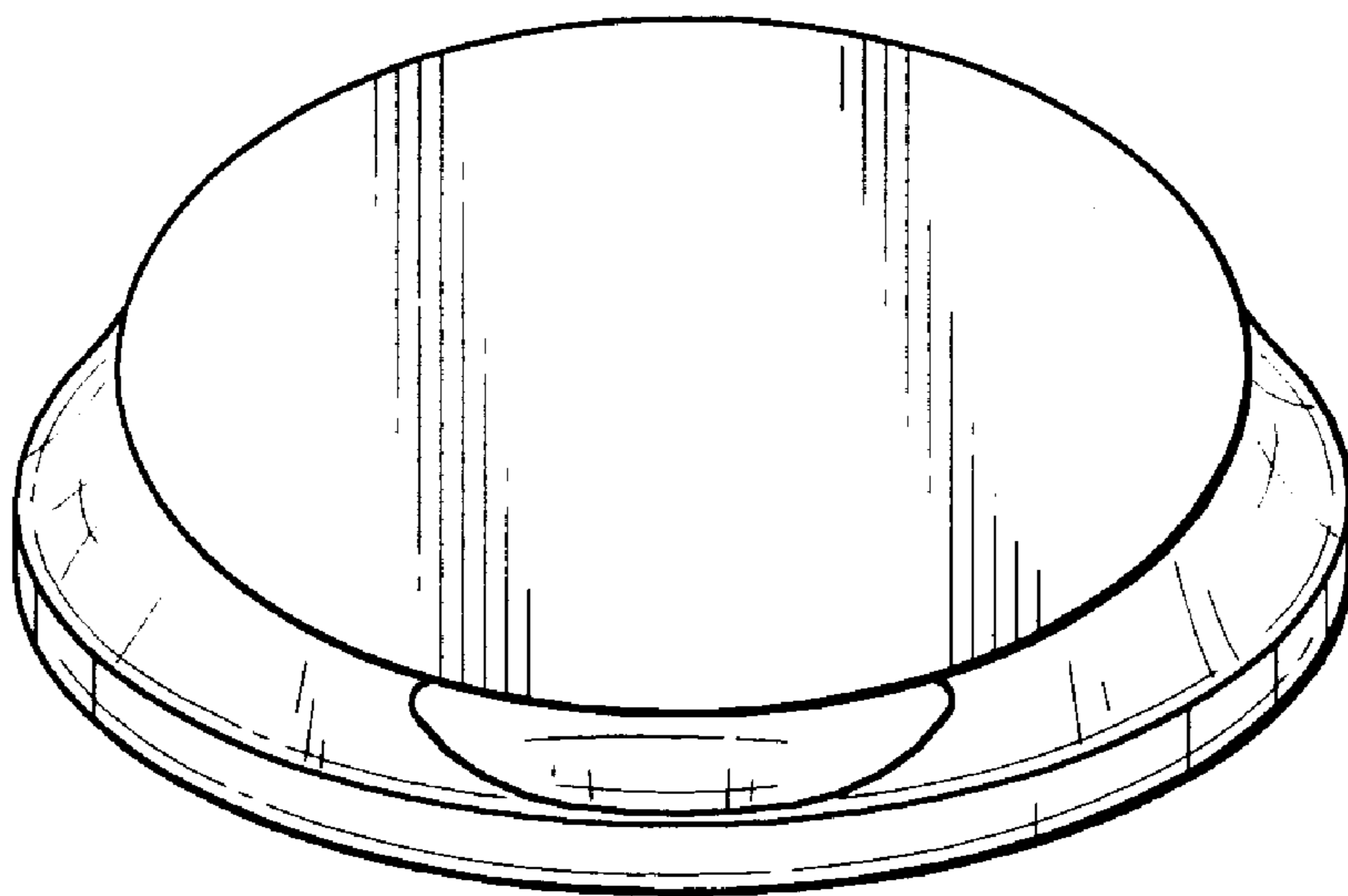


FIG. 6