

US00D430006S

United States Patent [19]
Finger, Jr.

[11] **Patent Number: Des. 430,006**

[45] **Date of Patent: ** Aug. 29, 2000**

[54] **CONNECTOR FOR SIGN PANELS**

5,732,496 3/1998 Tanaka .
5,979,847 11/1999 Williams et al. 248/200

[76] Inventor: **Paul Alton Finger, Jr.**, 502 W. Church St., Dallas, N.C. 28034-0725

Primary Examiner—Holly Baynham
Attorney, Agent, or Firm—Richard C. Litman

[**] Term: **14 Years**

[57] **CLAIM**

[21] Appl. No.: **29/115,612**

The ornamental design for a connector for sign panels, as shown and described.

[22] Filed: **Dec. 20, 1999**

DESCRIPTION

[51] **LOC (7) Cl.** **08-08**

[52] **U.S. Cl.** **D8/382**

[58] **Field of Search** D8/354, 349, 382;
403/205, 402; 248/220.21

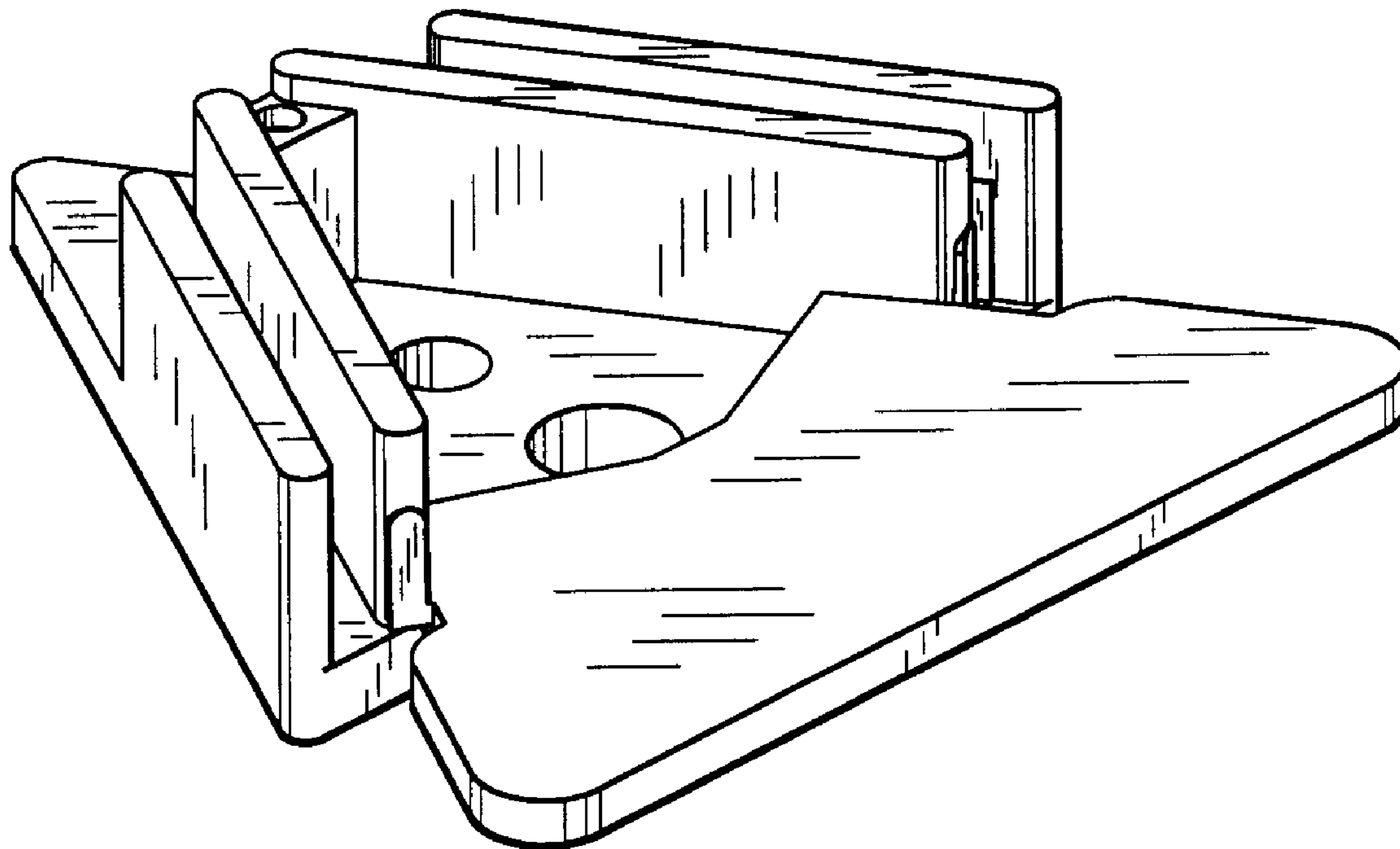
FIG. 1 is a perspective view of a connector for sign panels showing my new design;
FIG. 2 is a front elevational view thereof;
FIG. 3 is a rear elevational view thereof;
FIG. 4 is a top plan view thereof;
FIG. 5 is a bottom plan view thereof; and,
FIG. 6 is a right side elevational view with the left side being a mirror image thereof.

[56] **References Cited**

U.S. PATENT DOCUMENTS

- D. 279,449 7/1985 Finger, Jr. .
- 3,912,407 10/1975 Heininger 403/205
- 5,058,297 10/1991 McGinnis .
- 5,265,358 11/1993 Borod .

1 Claim, 6 Drawing Sheets



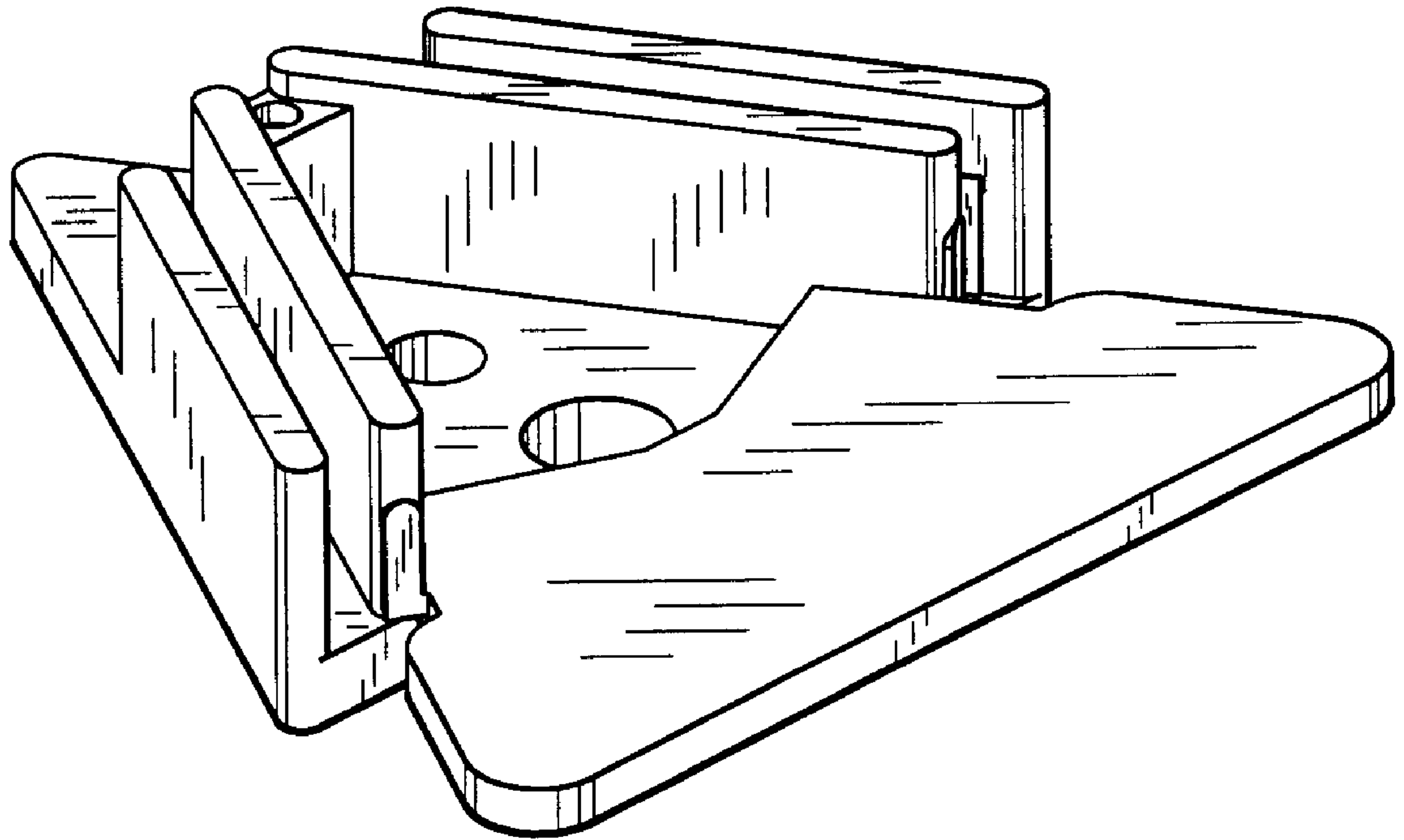


Fig. 1

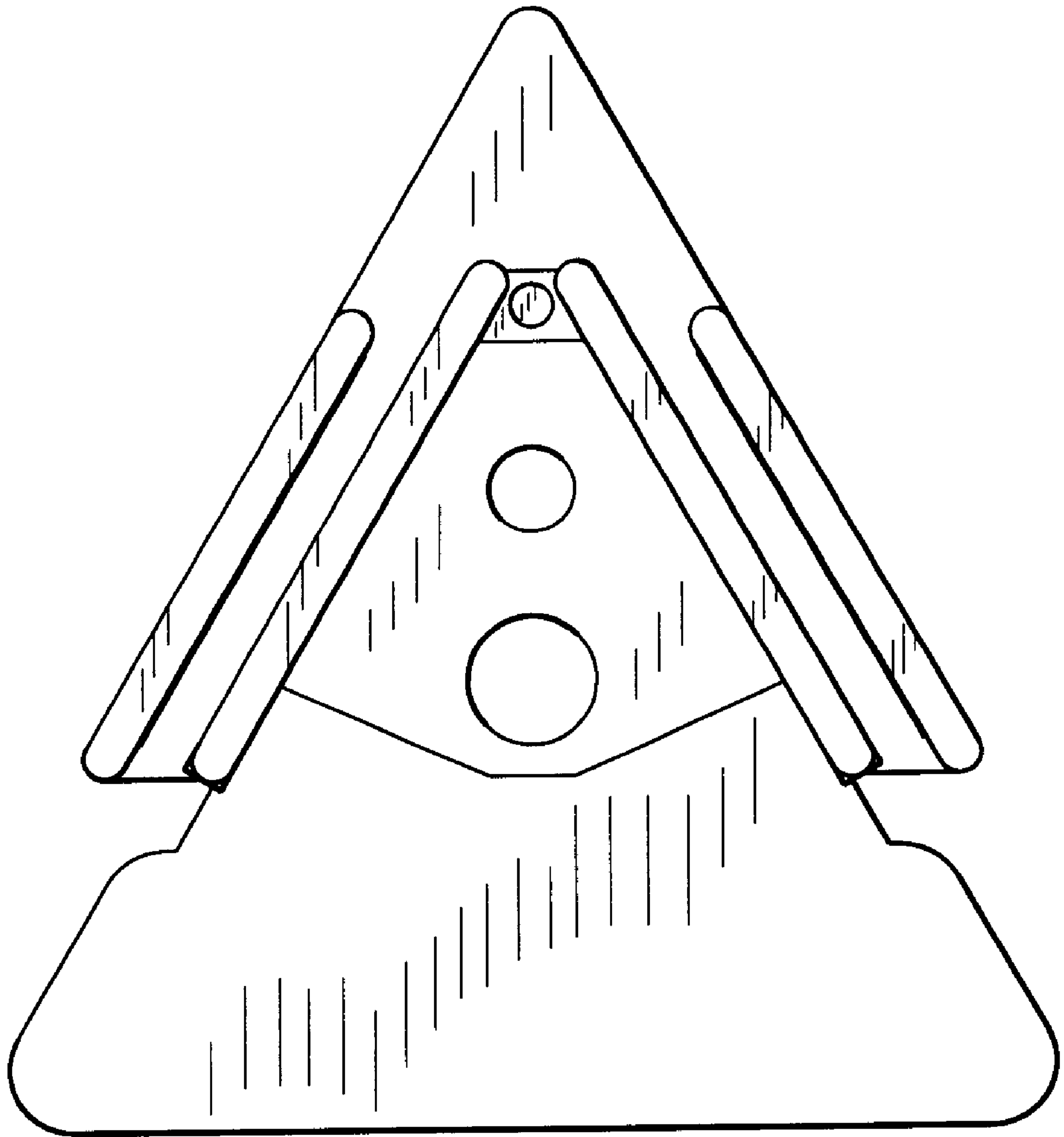


Fig. 2

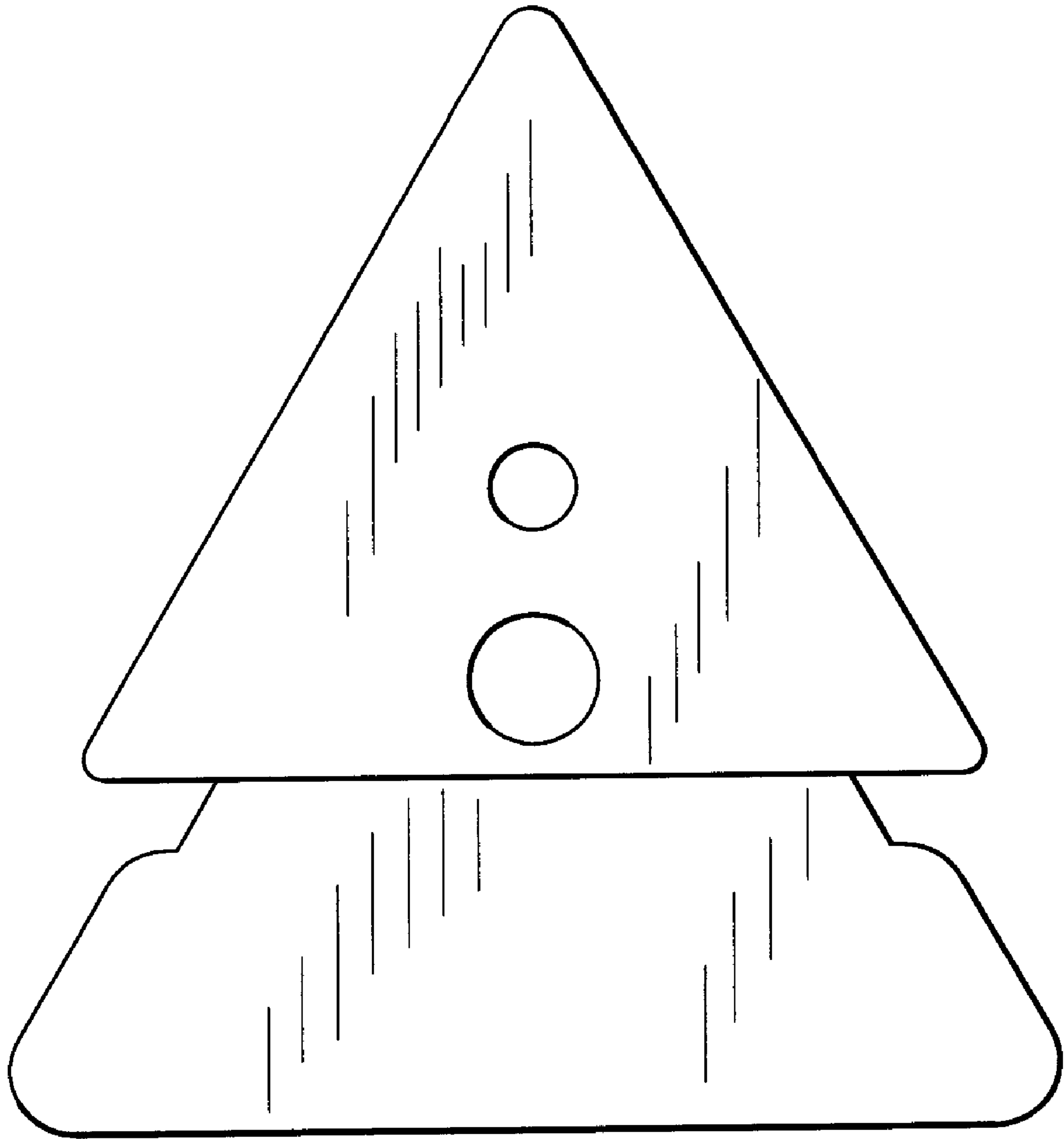


Fig. 3

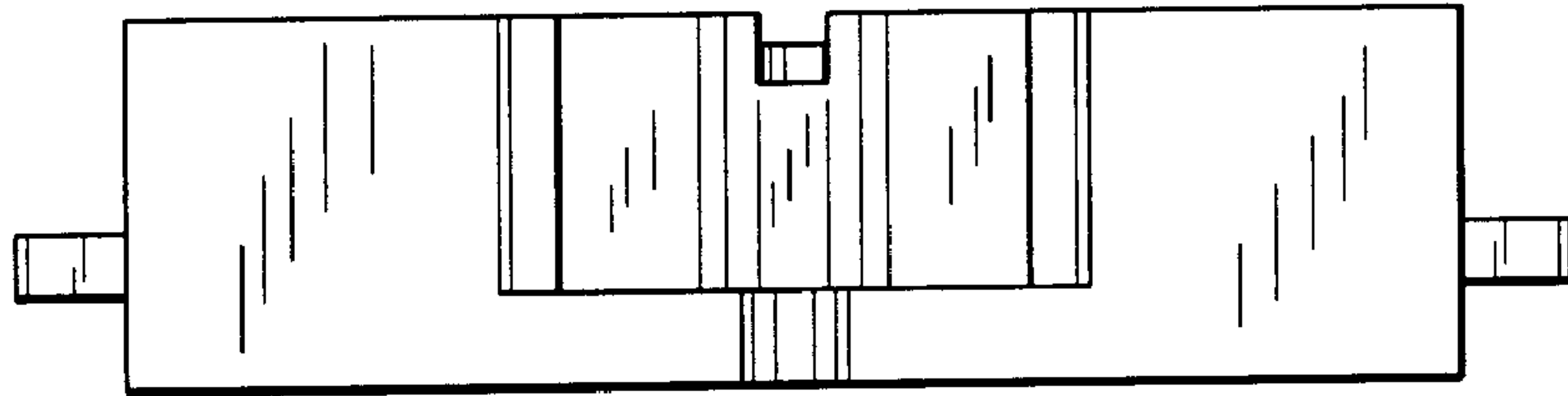


Fig. 4

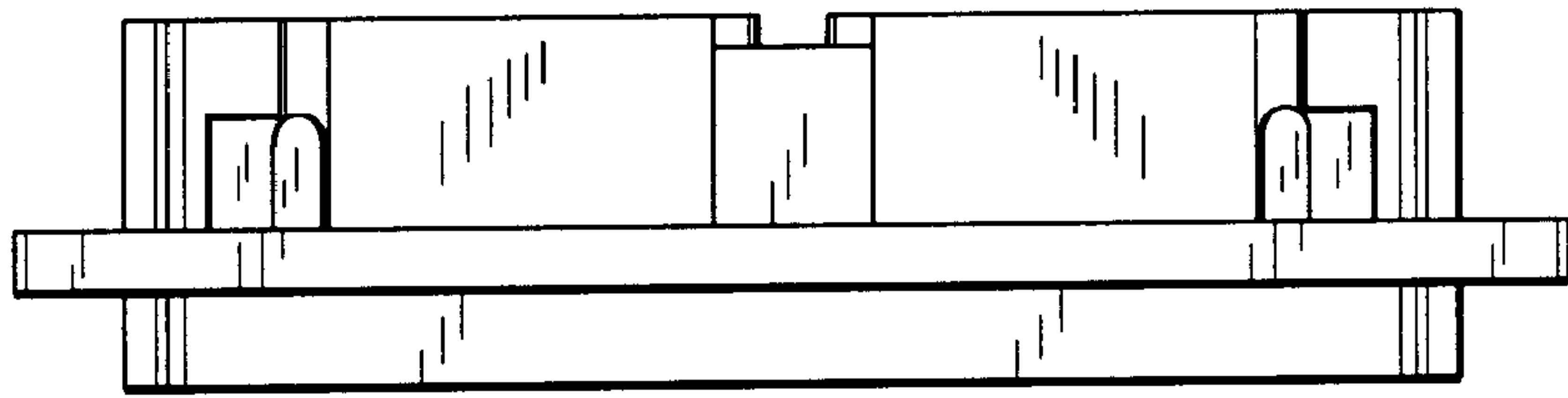


Fig. 5

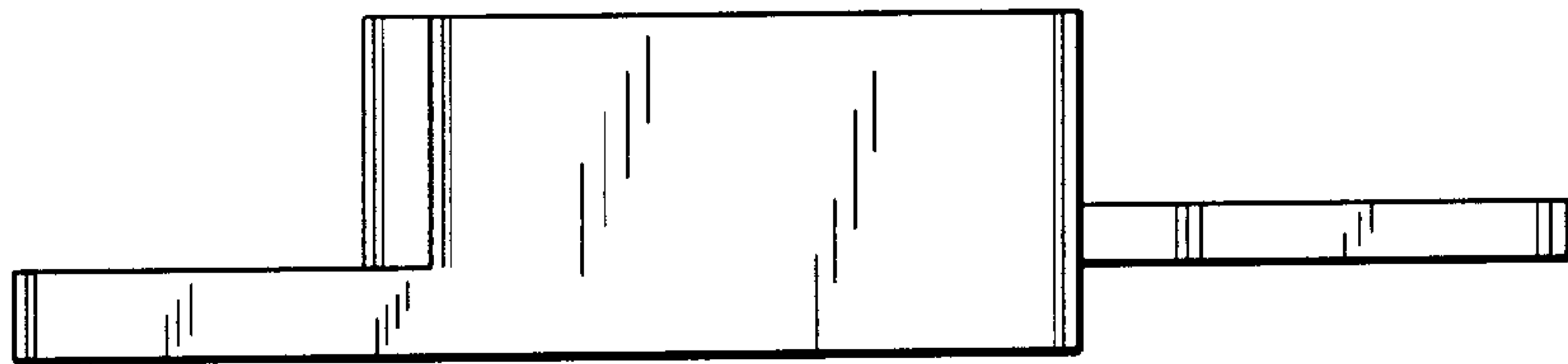


Fig. 6