

US00D43000S

United States Patent [19]

Estep, Jr. et al.

[11] **Patent Number: Des. 430,000**

[45] **Date of Patent: ** Aug. 29, 2000**

[54] **BROODER HANGER**

D. 309,706 8/1990 Propp D8/373
D. 410,835 6/1999 Cosgrove D8/354

[75] Inventors: **Robert Estep, Jr.**, Linville; **James F. Newman**, Harrisonburg, both of Va.

Primary Examiner—Holly Baynham
Attorney, Agent, or Firm—Nixon & Vanderhye P.C.

[73] Assignee: **Shenandoah Manufacturing Co., Inc.**, Harrisonburg, Va.

[57] **CLAIM**

[**] Term: **14 Years**

The ornamental design for a “brooder hanger,” as shown and described.

[21] Appl. No.: **29/099,123**

DESCRIPTION

[22] Filed: **Jan. 13, 1999**

FIG. 1 is a perspective view of a brooder hanger;
FIG. 2 is an enlarged top plan view thereof;
FIG. 3 is a side view thereof;
FIG. 4 is an opposite side view thereof;
FIG. 5 is a front view thereof;
FIG. 6 is a rear view thereof; and,
FIG. 7 is a bottom view thereof.

[51] **LOC (7) Cl.** **08-05**

[52] **U.S. Cl.** **D8/373**

[58] **Field of Search** D8/354, 349, 373;
248/300, 200, 218.4, 219.1

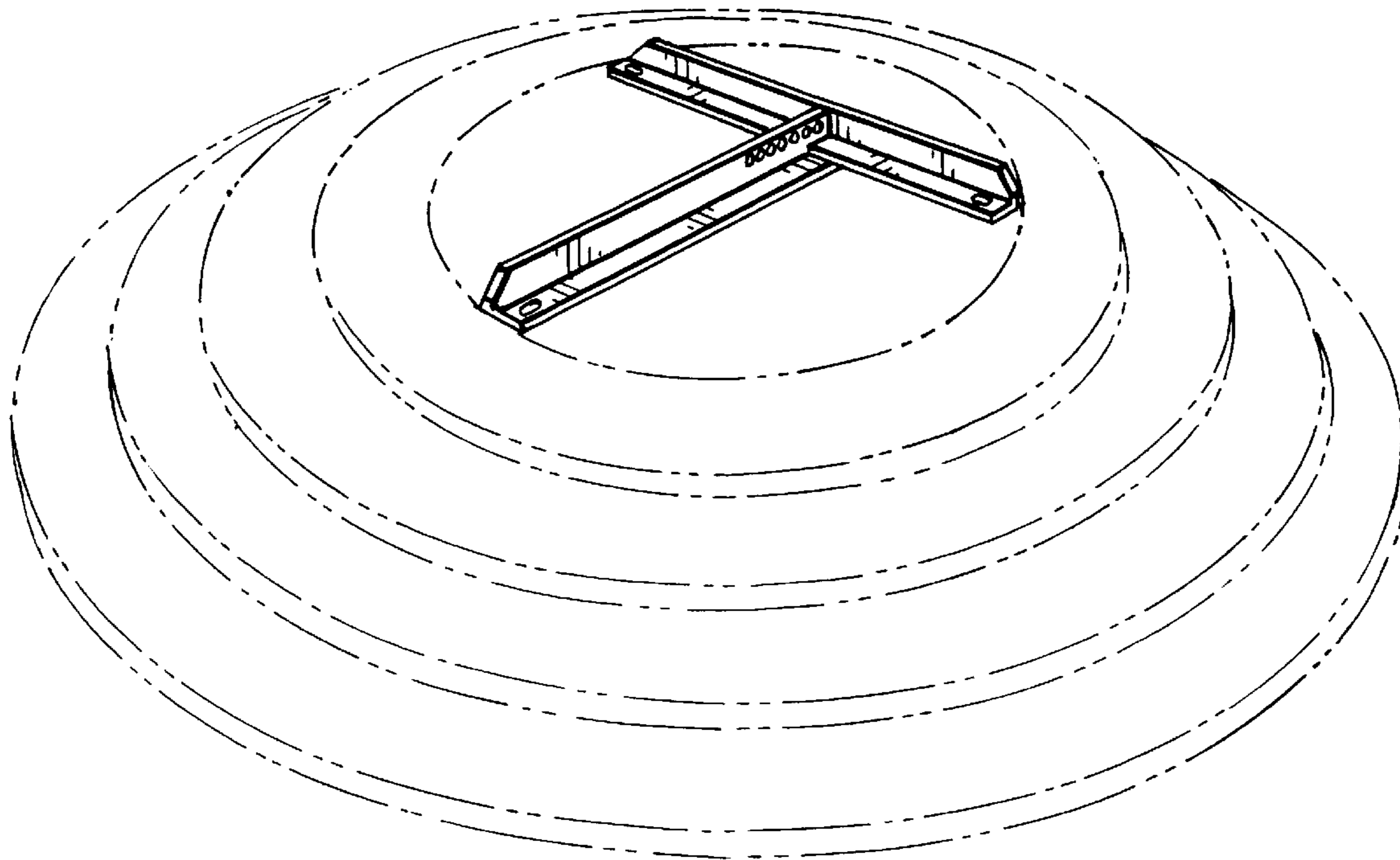
The broken line showing of an element is for illustrative purposes only and forms no part of the claimed design.

[56] **References Cited**

U.S. PATENT DOCUMENTS

D. 287,817 1/1987 Henin D8/273

1 Claim, 5 Drawing Sheets



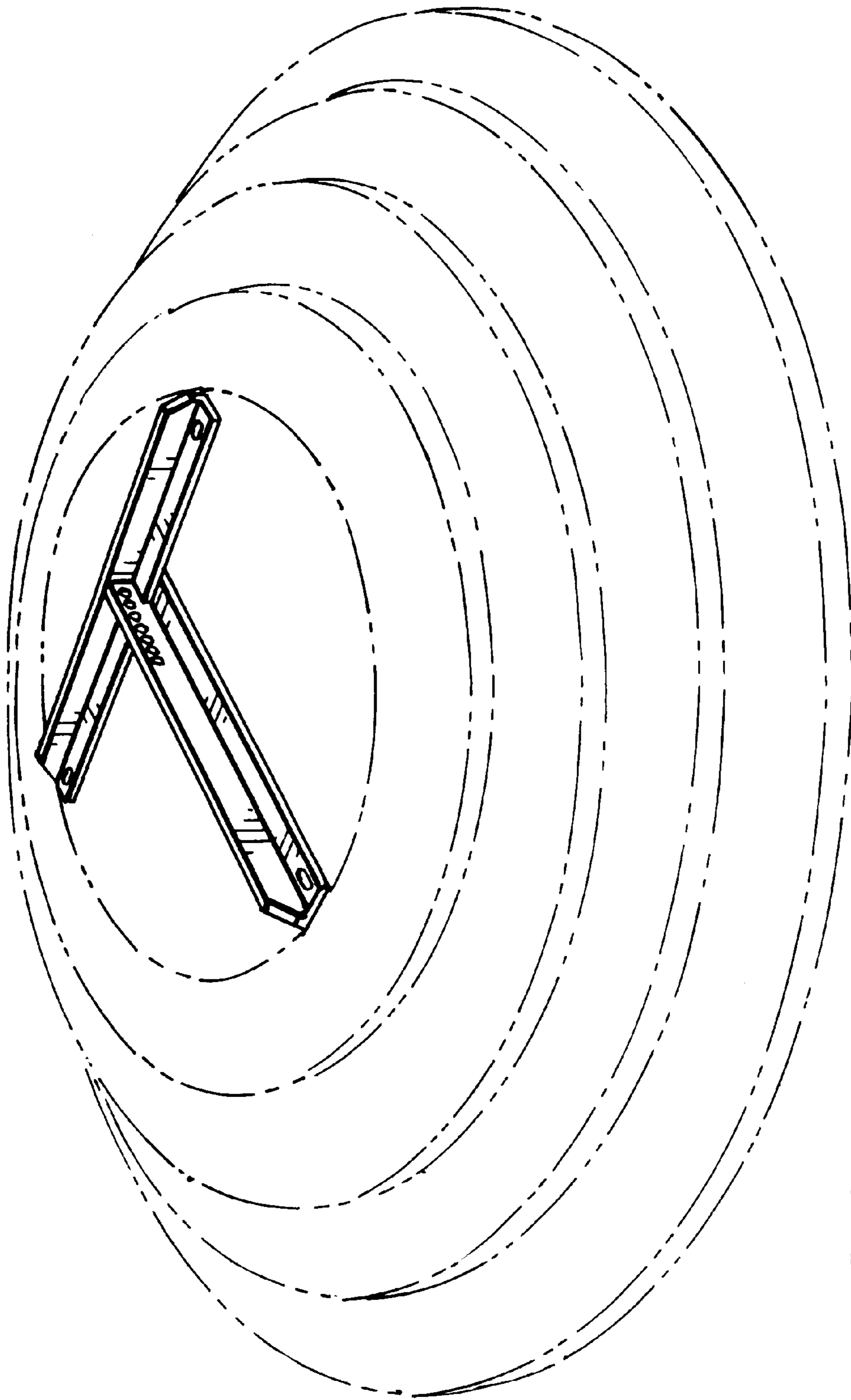


FIG. 1

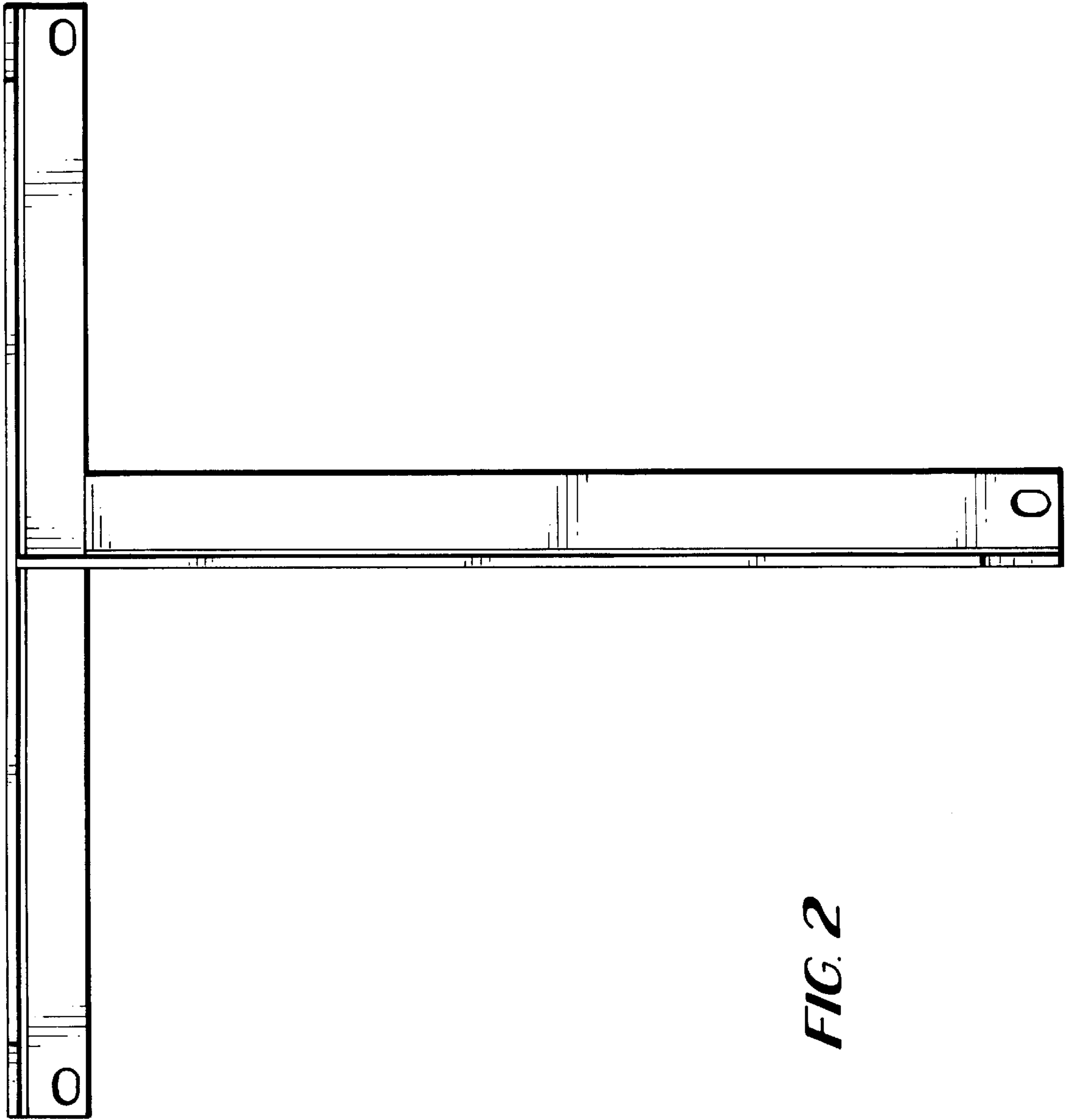


FIG. 3

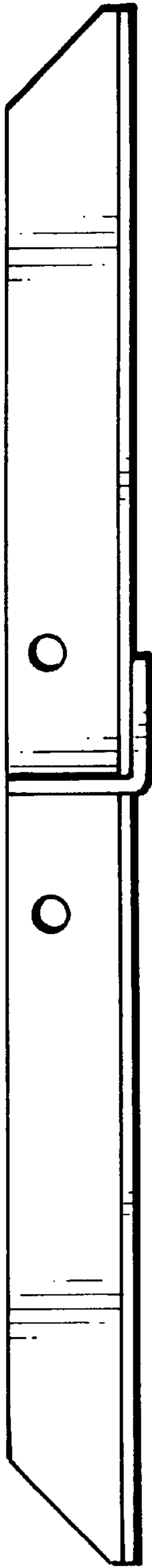


FIG. 4

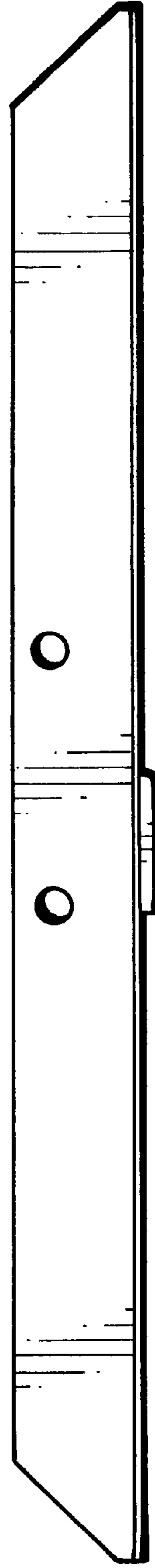


FIG. 5

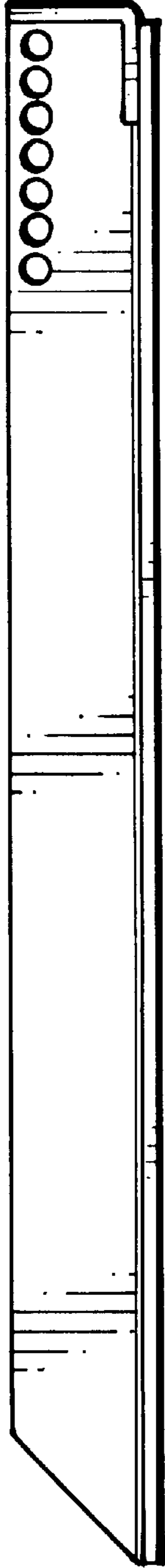
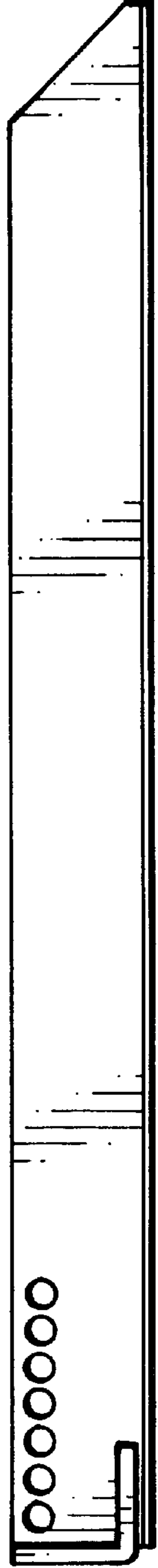


FIG. 6



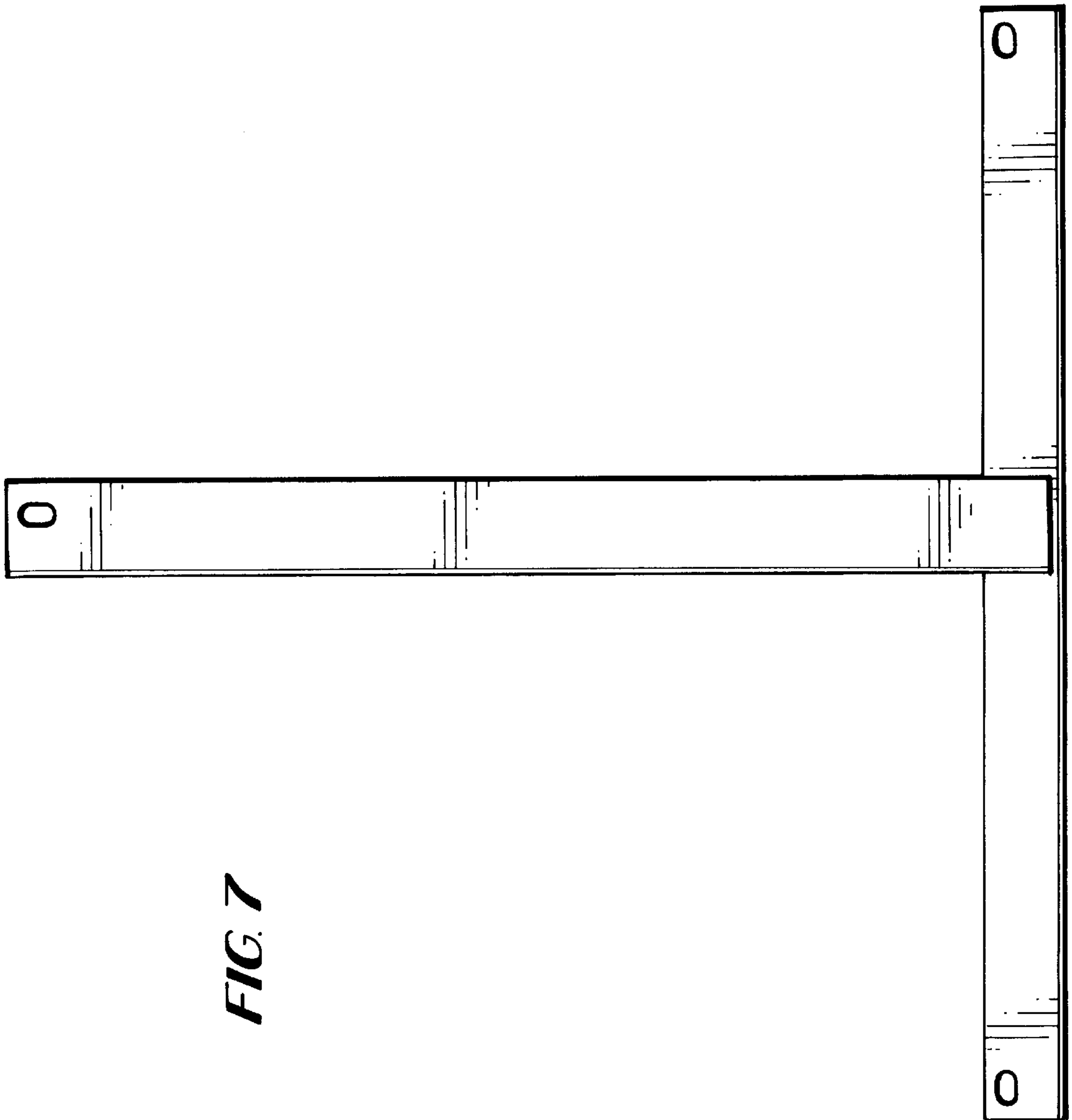


FIG. 7