



US00D42999S

United States Patent [19]

Swolsky et al.

[11] Patent Number: **Des. 429,999**

[45] Date of Patent: **** Aug. 29, 2000**

[54] **OVER-THE-DOOR MULTIPLE HOOK**

[75] Inventors: **Michael G. Swolsky**, Indianapolis;
Vernal A. Carter, Fishers, both of Ind.

[73] Assignee: **Deflecto Corporation**, Indianapolis,
Ind.

[**] Term: **14 Years**

[21] Appl. No.: **29/116,877**

[22] Filed: **Jan. 12, 2000**

[51] **LOC (7) Cl.** **08-05**

[52] **U.S. Cl.** **D8/372**

[58] **Field of Search** D8/372; D6/325,
D6/323; 211/105.1, 105.2; 248/214, 215,
301, 304

[56] **References Cited**

U.S. PATENT DOCUMENTS

- D. 279,450 7/1985 Chap D8/363
- D. 411,436 6/1999 Krehel D8/367

Primary Examiner—Holly Baynham
Attorney, Agent, or Firm—Woodward, Emhardt, Naughton,
Moriarty & McNett

[57] **CLAIM**

We claim the ornamental design for an over-the-door multiple hook, as shown and described.

DESCRIPTION

FIG. 1 is a top, left front perspective view of an over-the-door multiple hook showing a first embodiment of our new design.

FIG. 2 is a left side elevational view thereof.

FIG. 3 is a right side elevational view thereof.

FIG. 4 is a top plan view thereof.

FIG. 5 is a bottom plan view thereof.

FIG. 6 is a front elevational view thereof.

FIG. 7 is a rear elevational view thereof.

FIG. 8 is a top, left front perspective view of an over-the-door multiple hook showing a second embodiment of our new design.

FIG. 9 is a left side elevational view thereof.

FIG. 10 is a right side elevational view thereof.

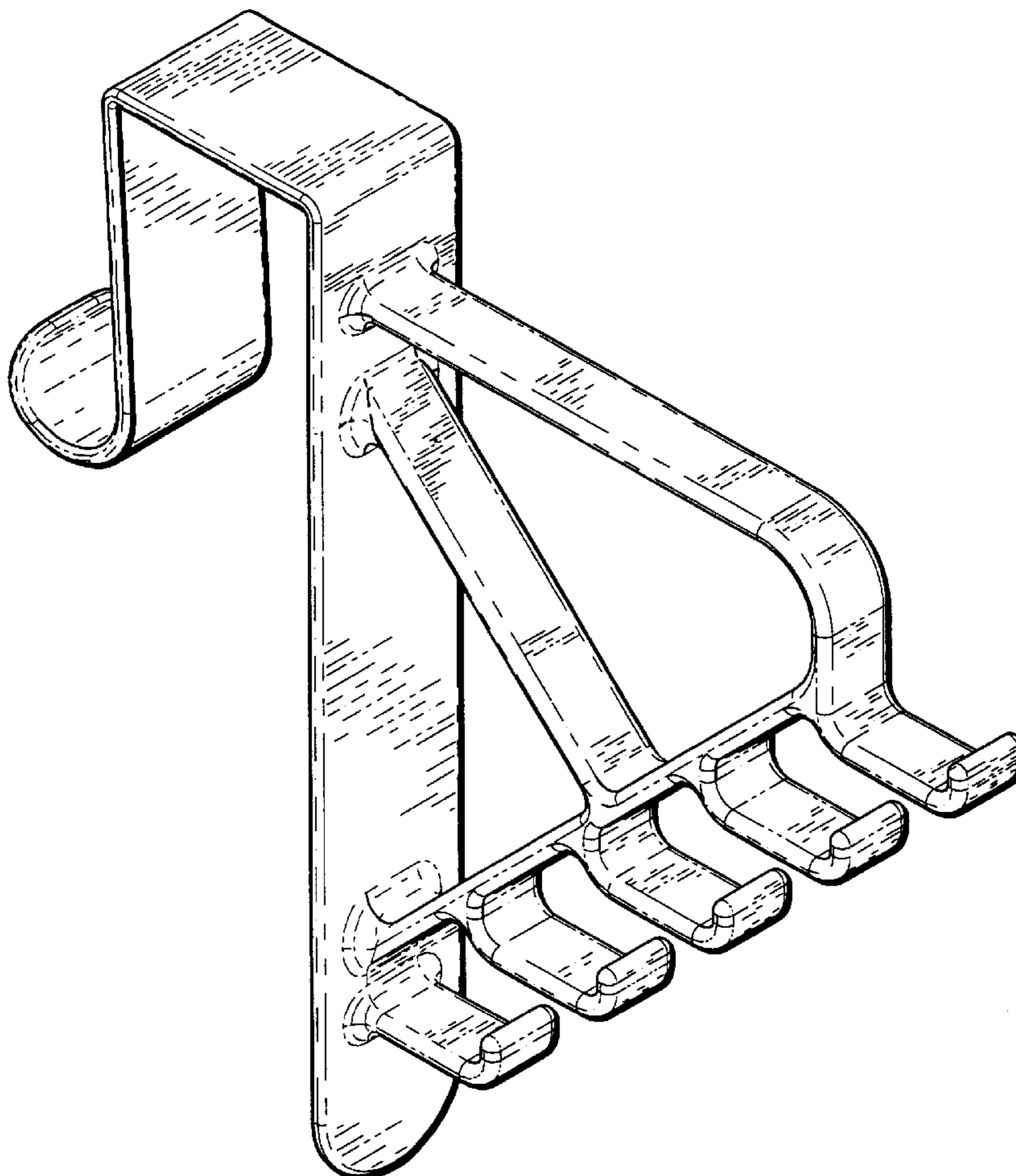
FIG. 11 is a top plan view thereof.

FIG. 12 is a bottom plan view thereof.

FIG. 13 is a front elevational view thereof; and,

FIG. 14 is a rear elevational view thereof.

1 Claim, 6 Drawing Sheets



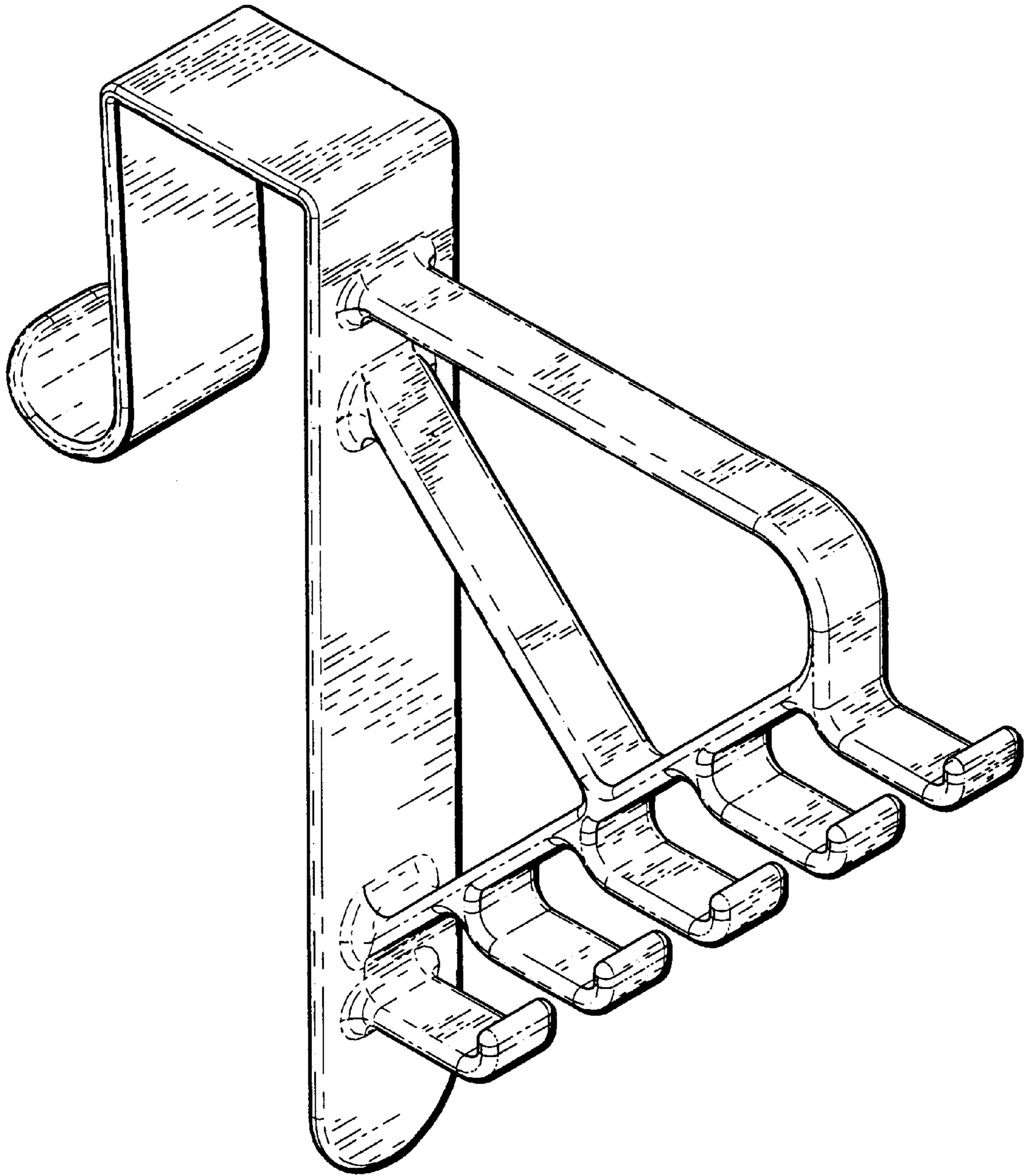


Fig. 1

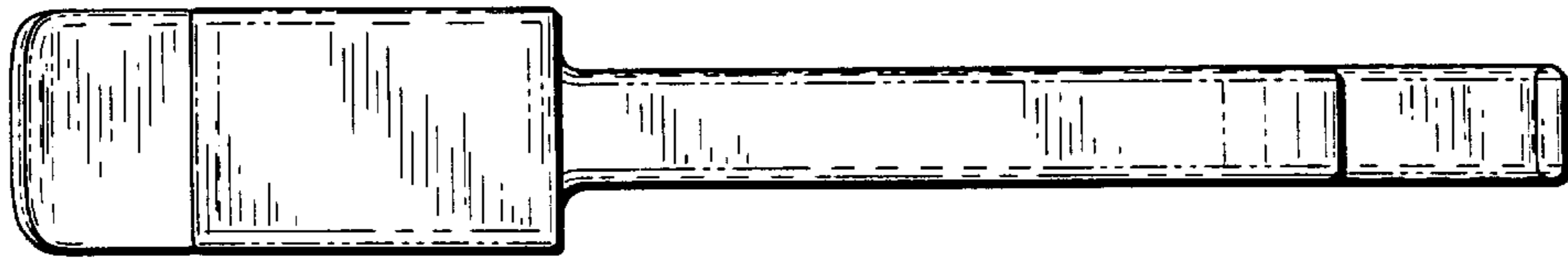


Fig. 4

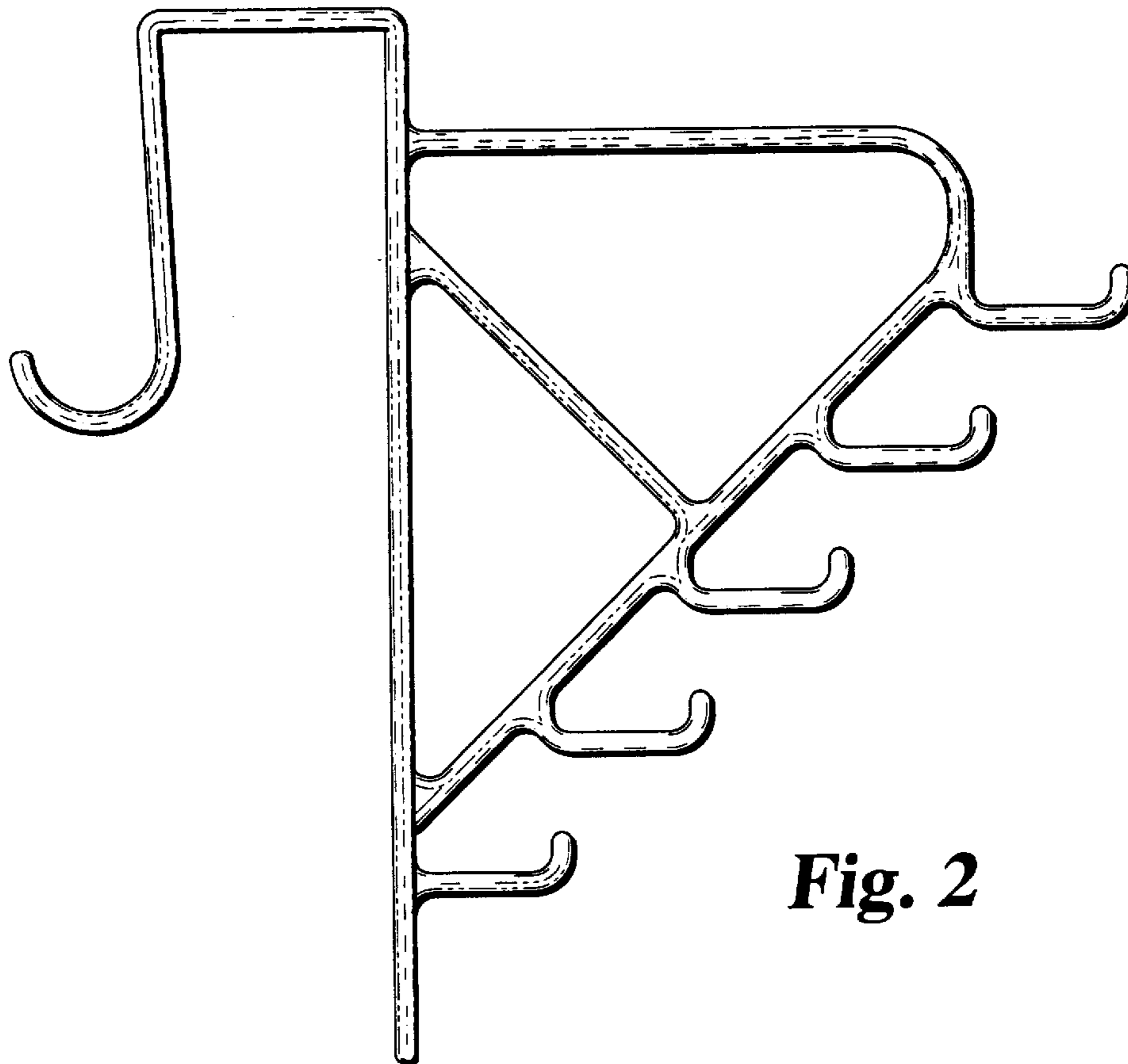


Fig. 2

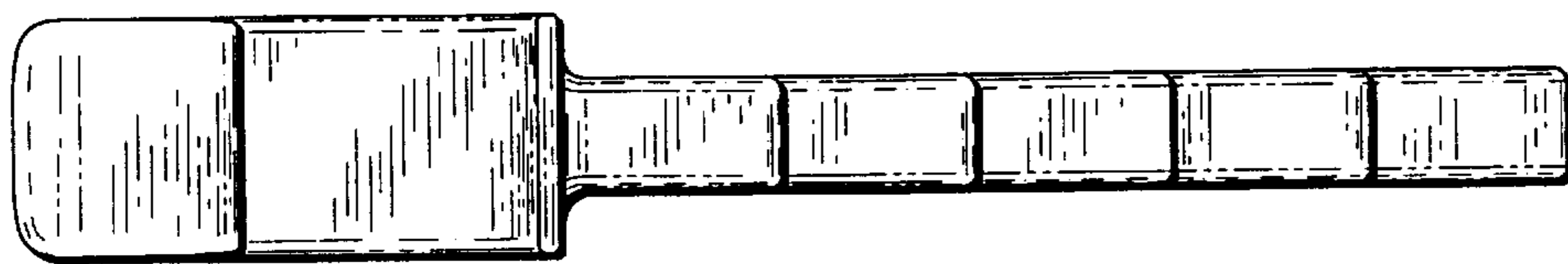


Fig. 5

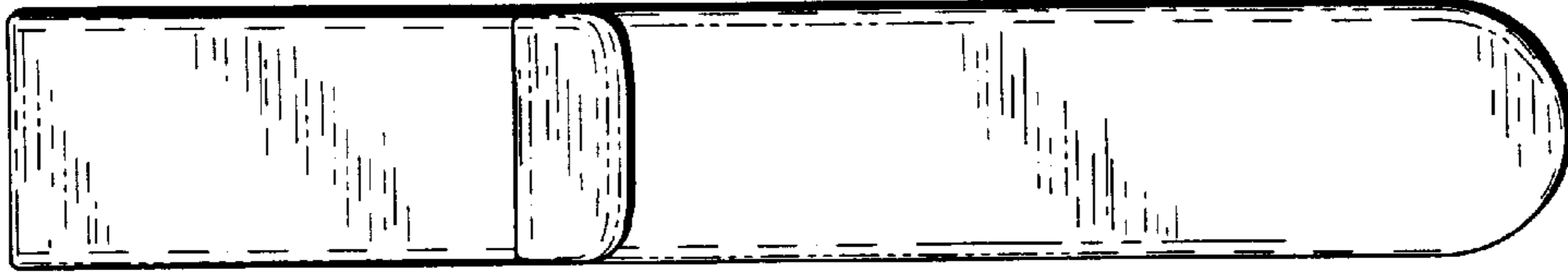


Fig. 7

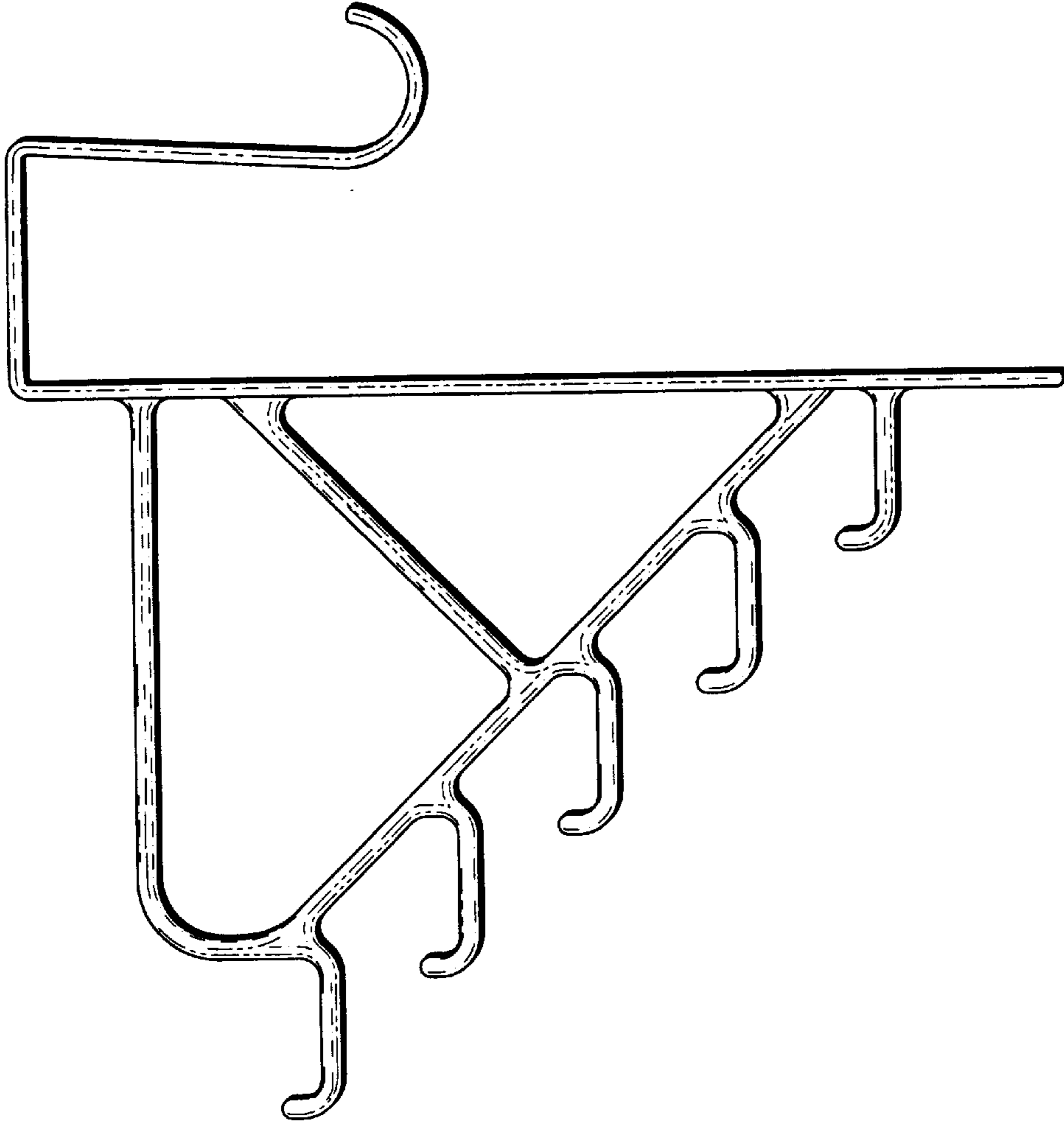


Fig. 3

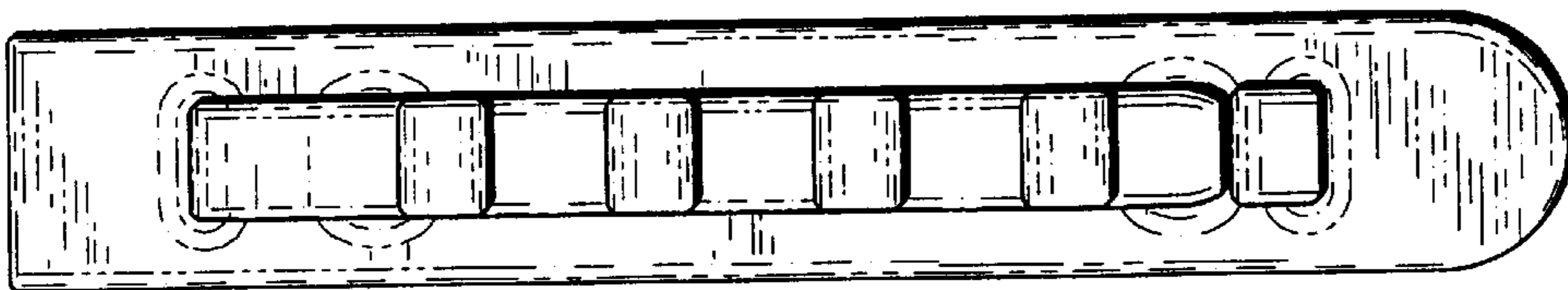


Fig. 6

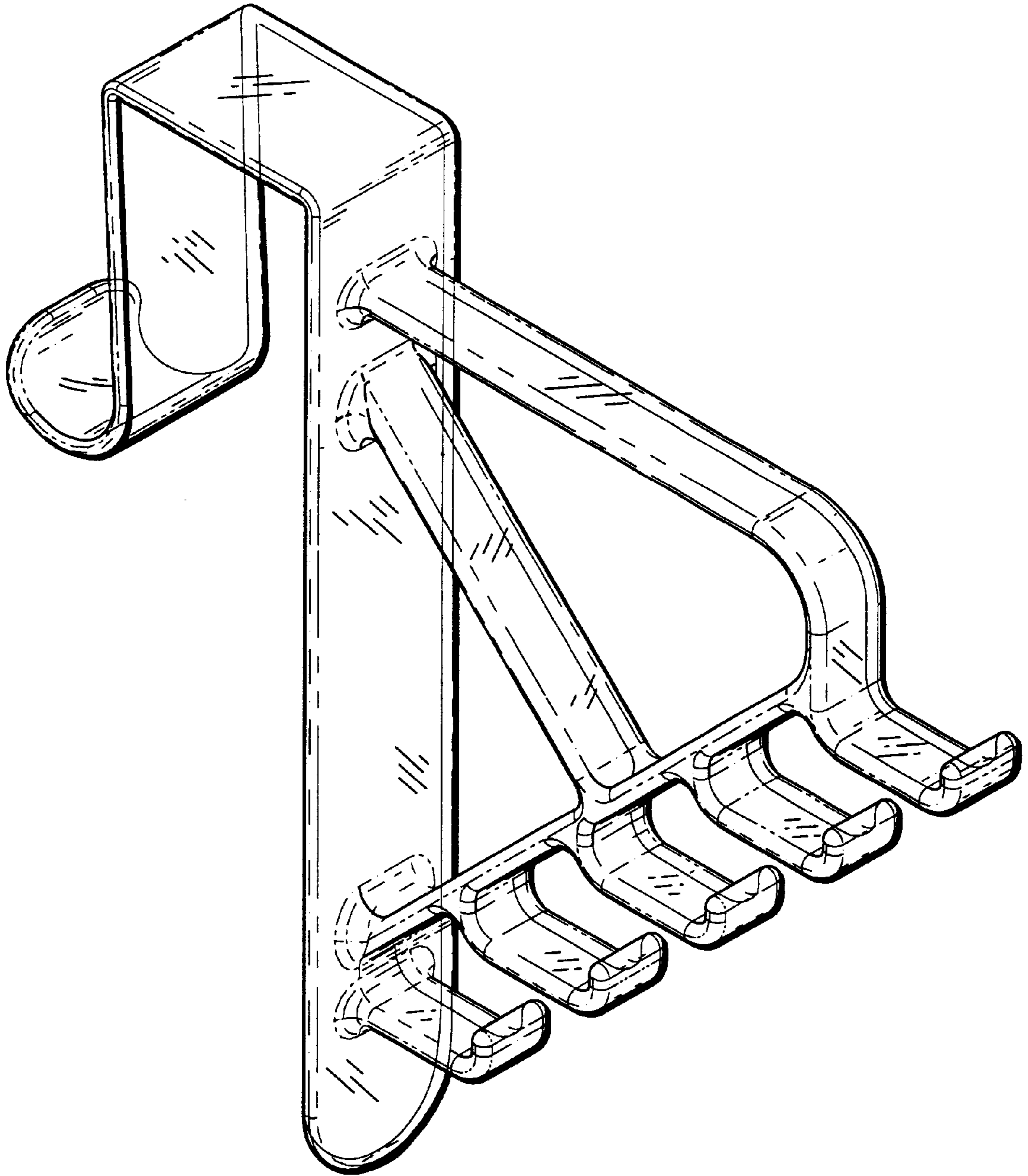


Fig. 8

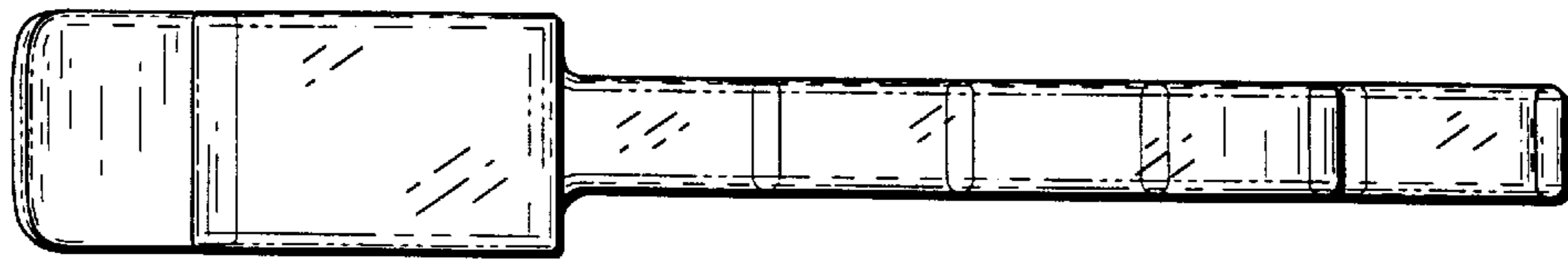


Fig. 11

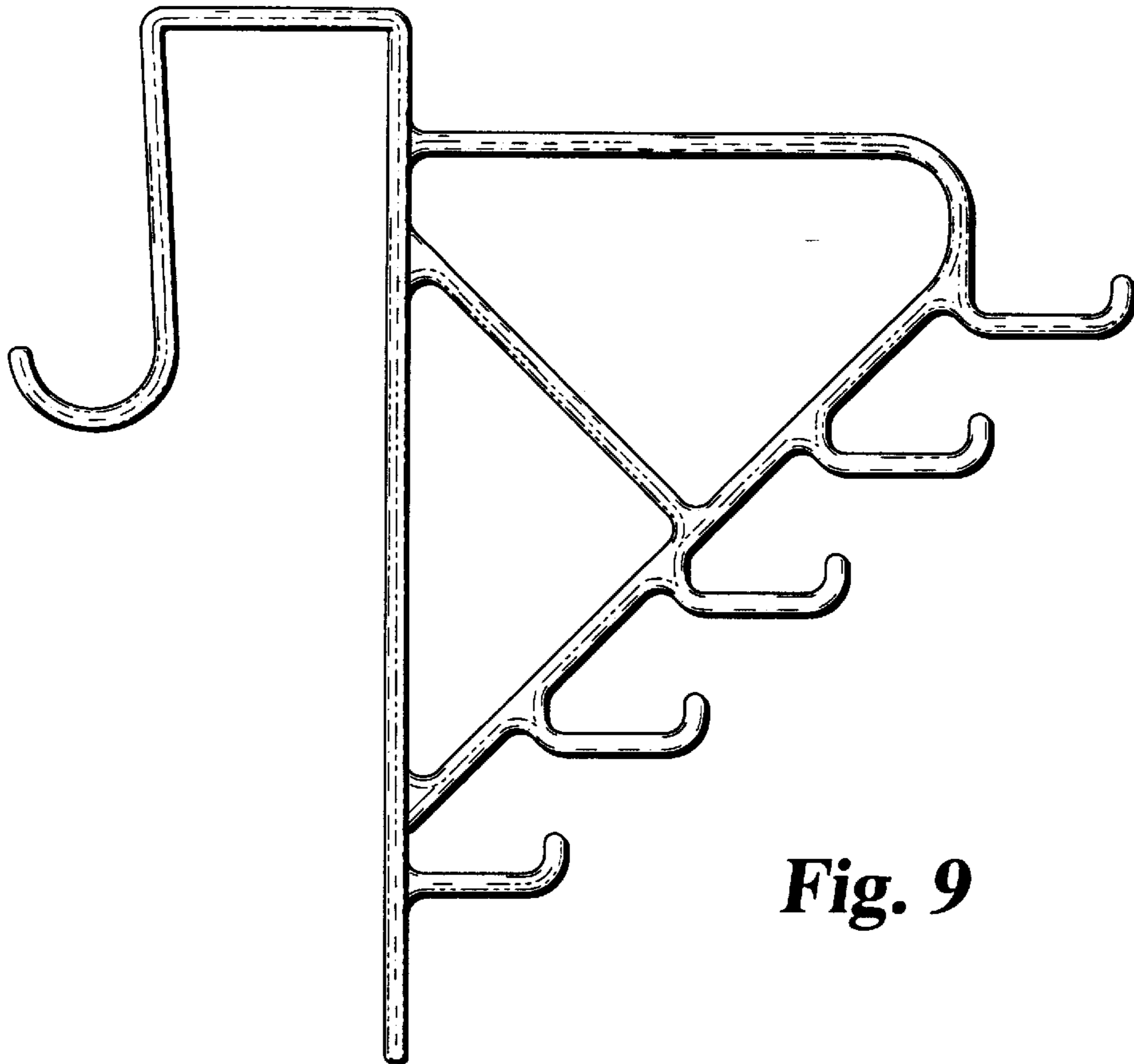


Fig. 9

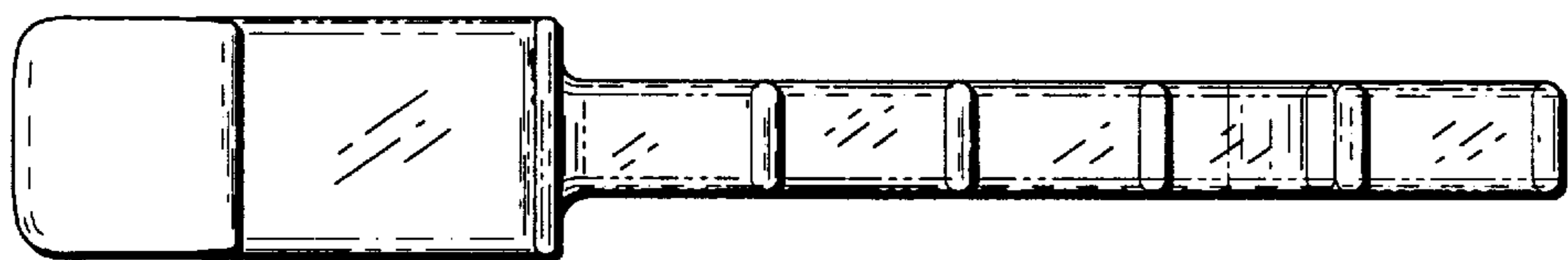


Fig. 12

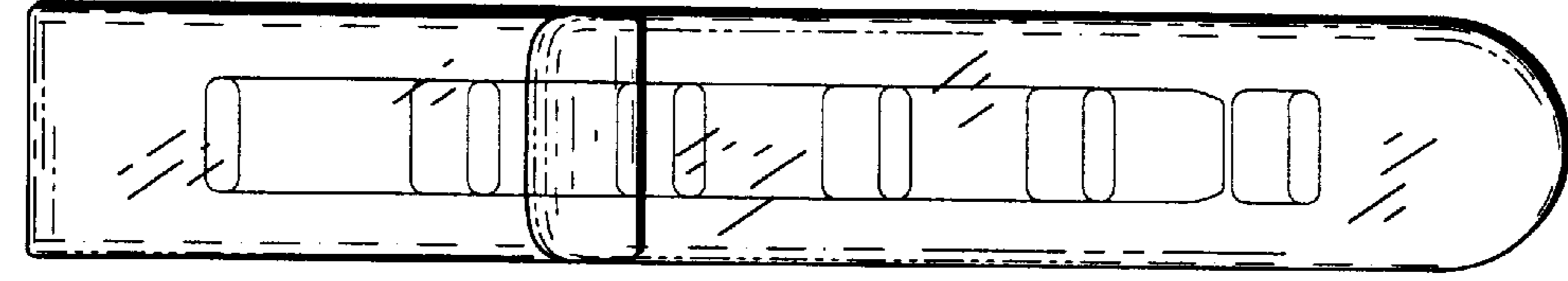


Fig. 14

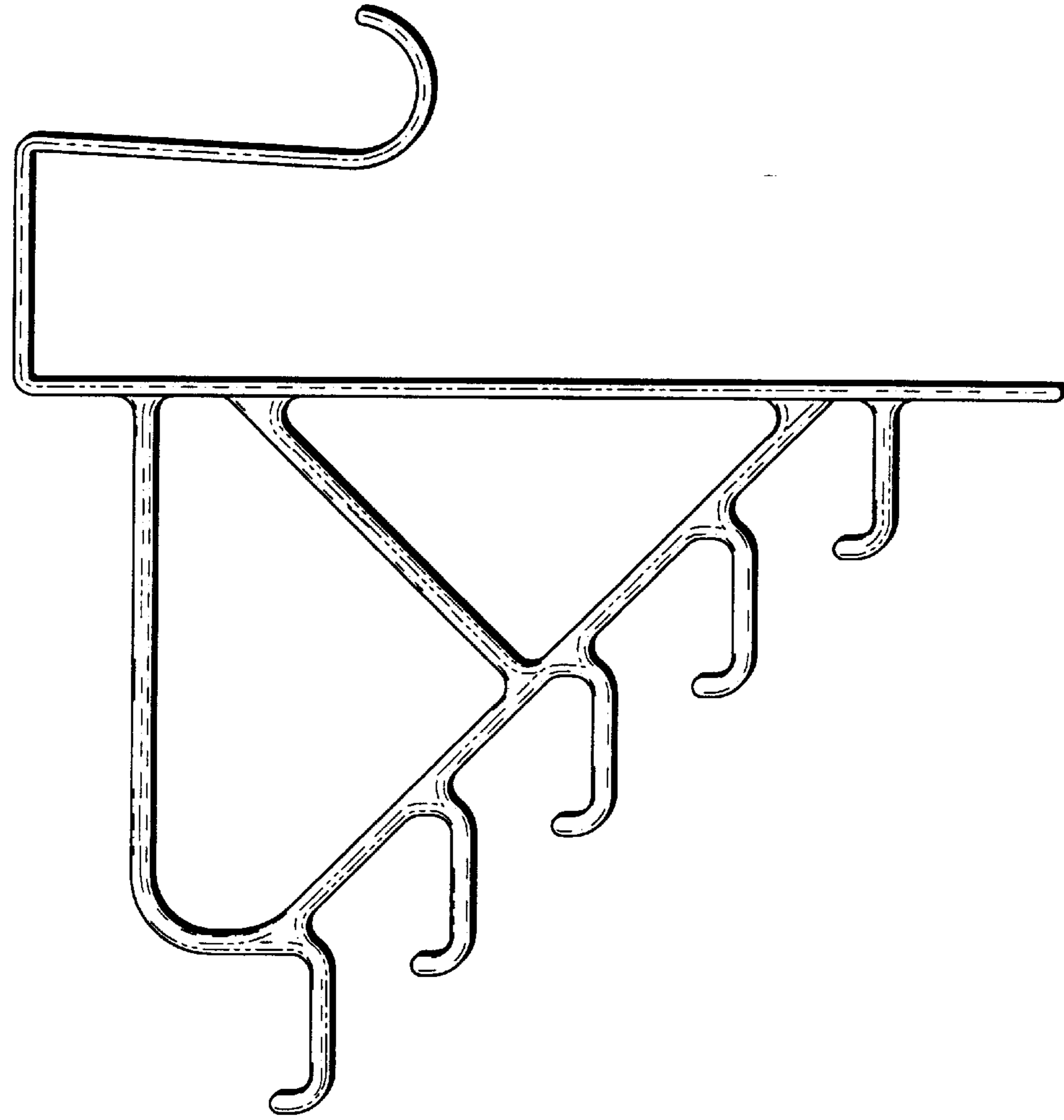


Fig. 10

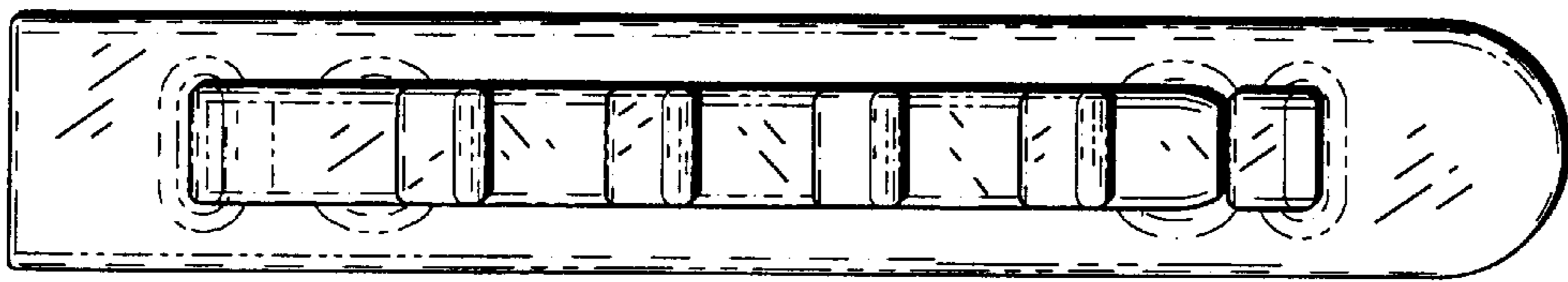


Fig. 13