



US00D42998S

# United States Patent [19] Snell

[11] **Patent Number: Des. 429,998**

[45] **Date of Patent: \*\* Aug. 29, 2000**

[54] **BRACKET**

1,097,496 1/1914 Woodhead ..... 248/231.9  
1,824,385 1/1931 Wintrob ..... 248/262

[75] Inventor: **Russell Benton Snell**, Shaker Heights, Ohio

*Primary Examiner*—Holly Baynham  
*Attorney, Agent, or Firm*—D. Peter Hochberg; William H. Holt

[73] Assignee: **InterDesign, Inc.**, Solon, Ohio

[\*\*] Term: **14 Years**

### [57] CLAIM

[21] Appl. No.: **29/107,103**

The ornamental design for a bracket, as shown and described.

[22] Filed: **Jun. 25, 1999**

### DESCRIPTION

[51] **LOC (7) Cl.** ..... **08-05**

[52] **U.S. Cl.** ..... **D8/363**

[58] **Field of Search** ..... D8/363; D6/549;  
248/261-262, 266, 268, 297.2; 160/349.1,  
349.2

FIG. 1 is a perspective view of the bracket;  
FIG. 2 is a top or bottom view of the bracket as shown in FIG. 1;  
FIG. 3 is a front elevational view of the bracket;  
FIG. 4 is one side view of the bracket as shown in FIG. 1; and,  
FIG. 5 is the opposite side view of the bracket as shown in FIG. 1 from the side shown in FIG. 4.

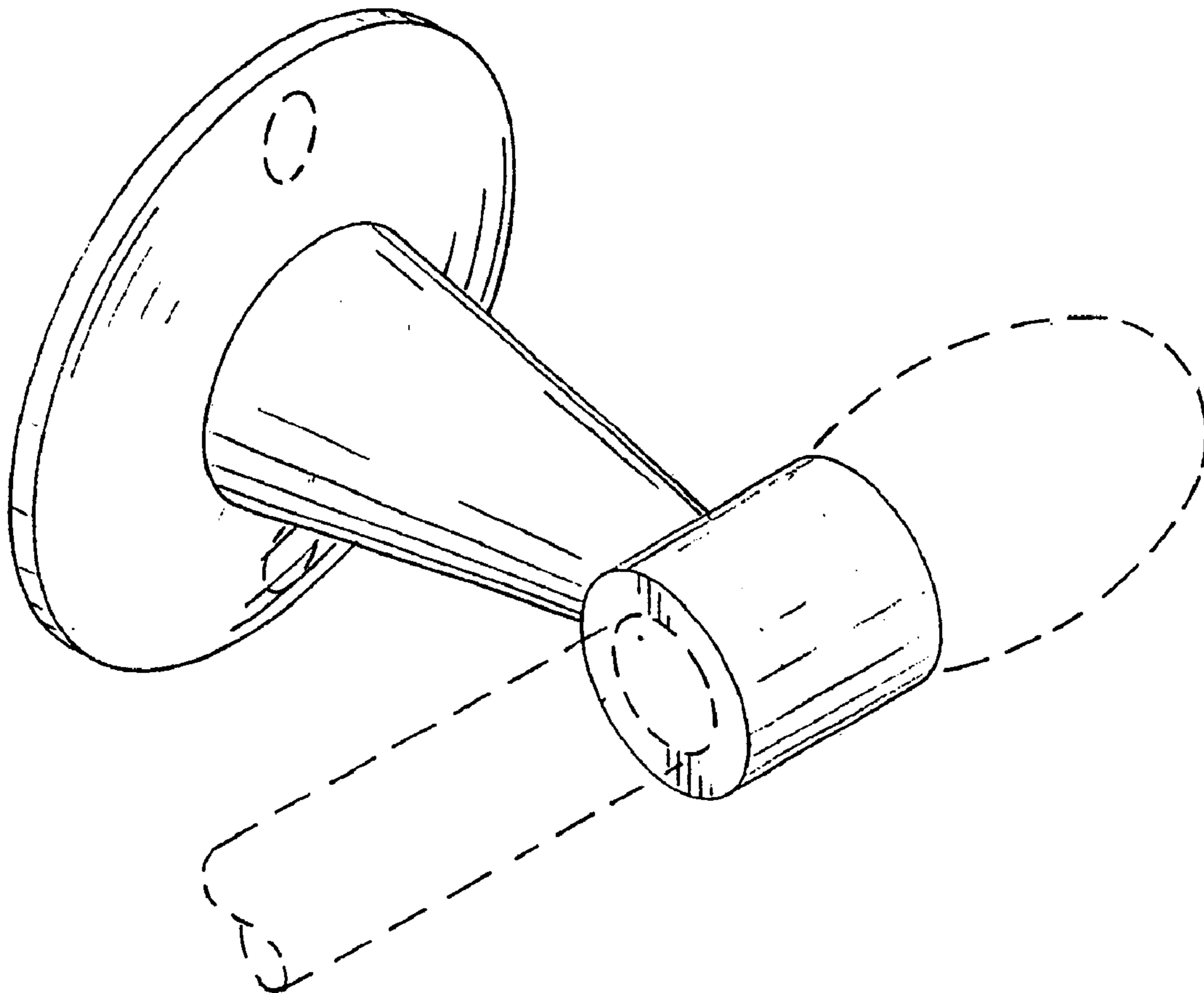
### [56] References Cited

#### U.S. PATENT DOCUMENTS

D. 204,057	3/1966	Logan et al. ....	D8/363
D. 216,458	1/1970	Nestrock .....	D8/363
D. 300,803	4/1989	Whitley, II .....	D8/363
419,302	1/1890	Allen .....	248/268

The broken line showing of a partial bar and openings is for illustrative purposes only and forms no part of the claimed design.

**1 Claim, 2 Drawing Sheets**



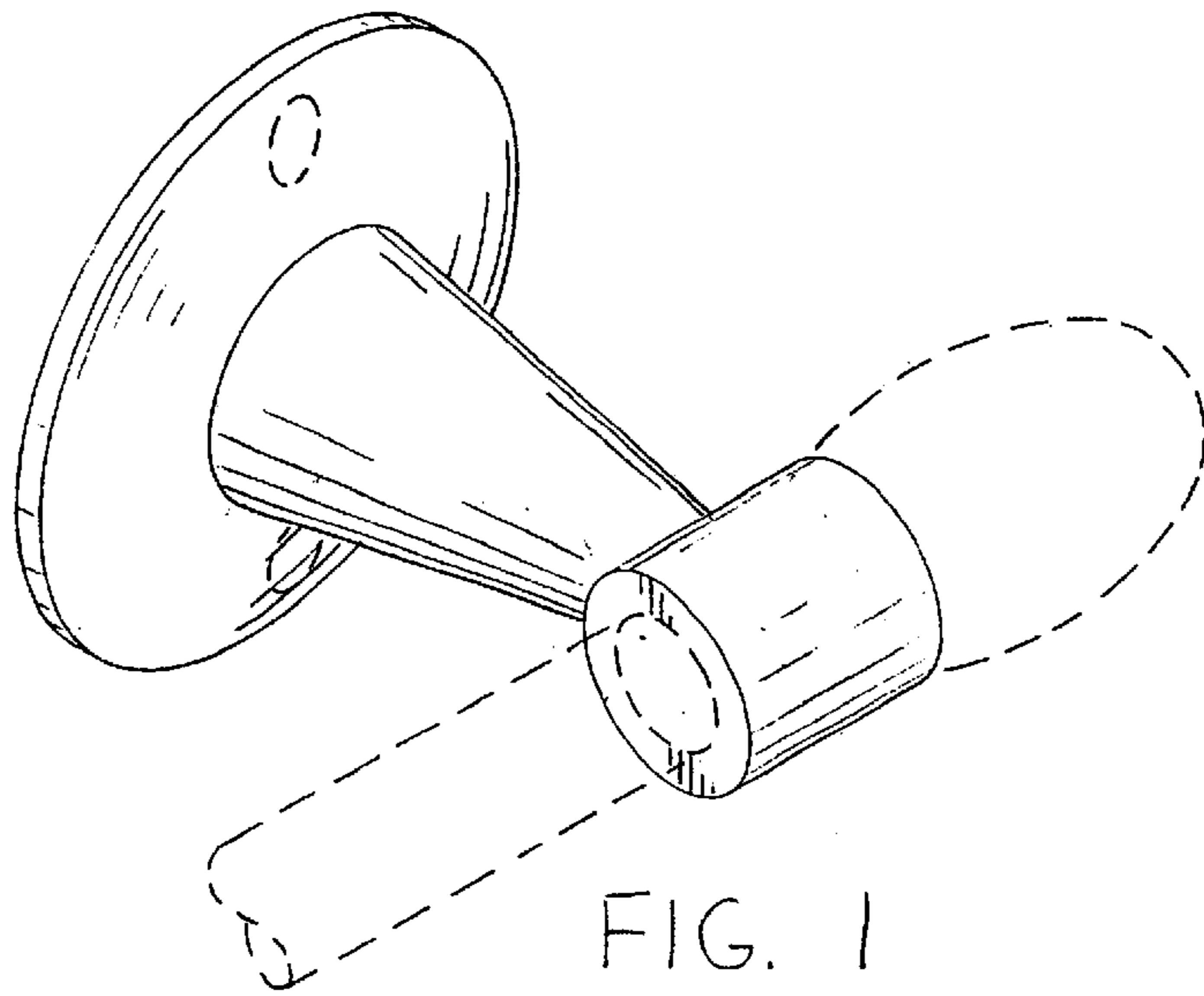


FIG. 1

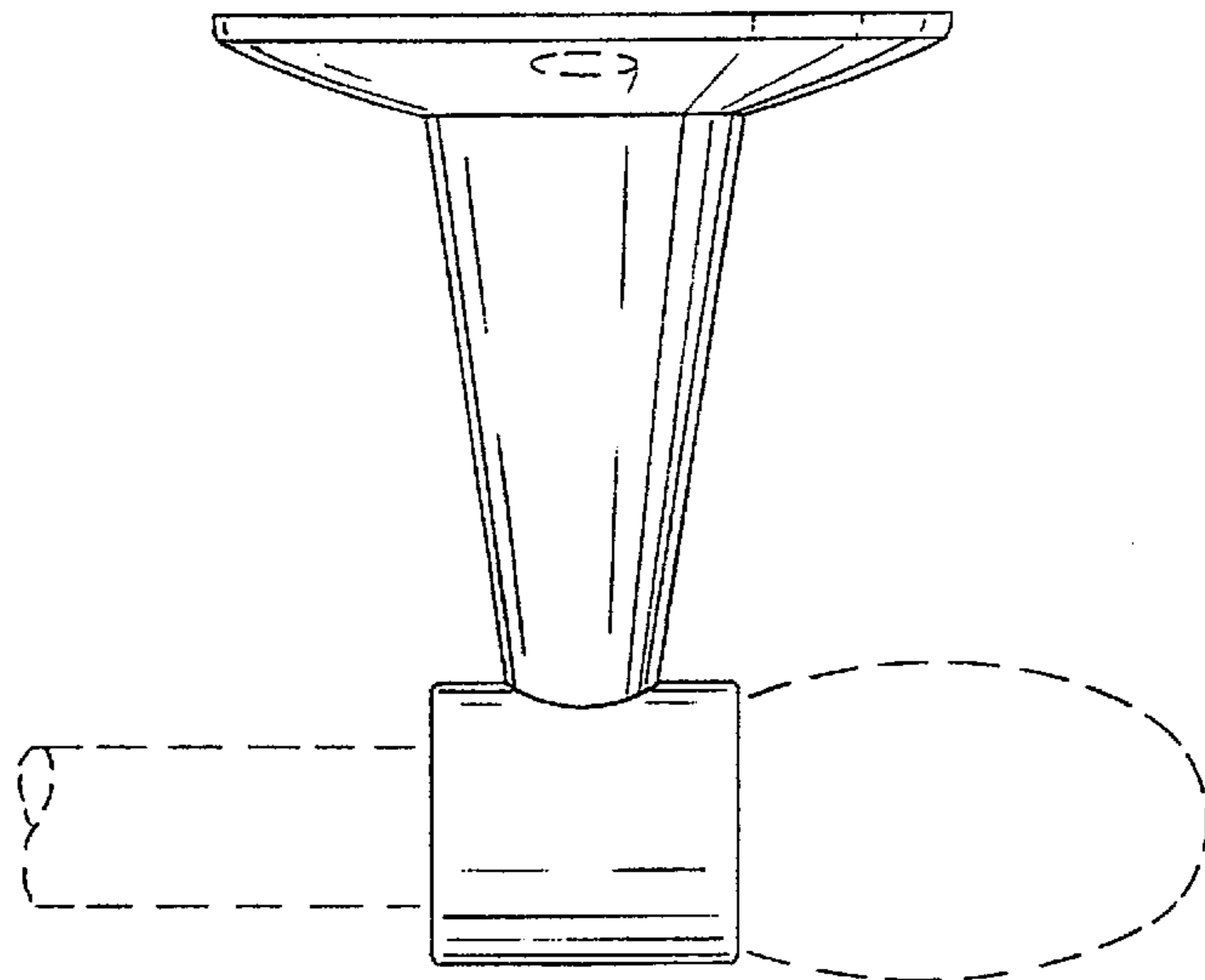


FIG. 2

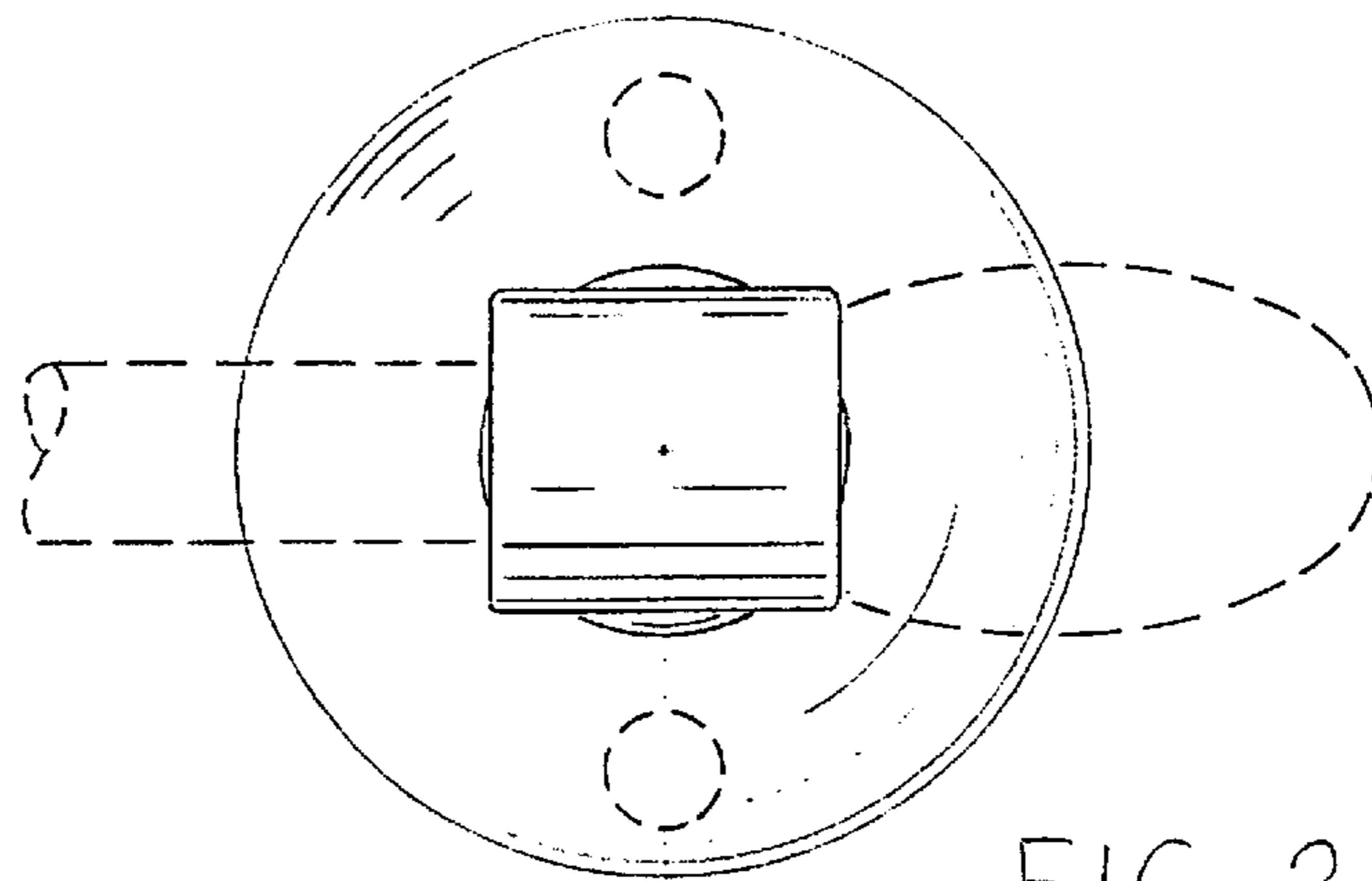


FIG. 3

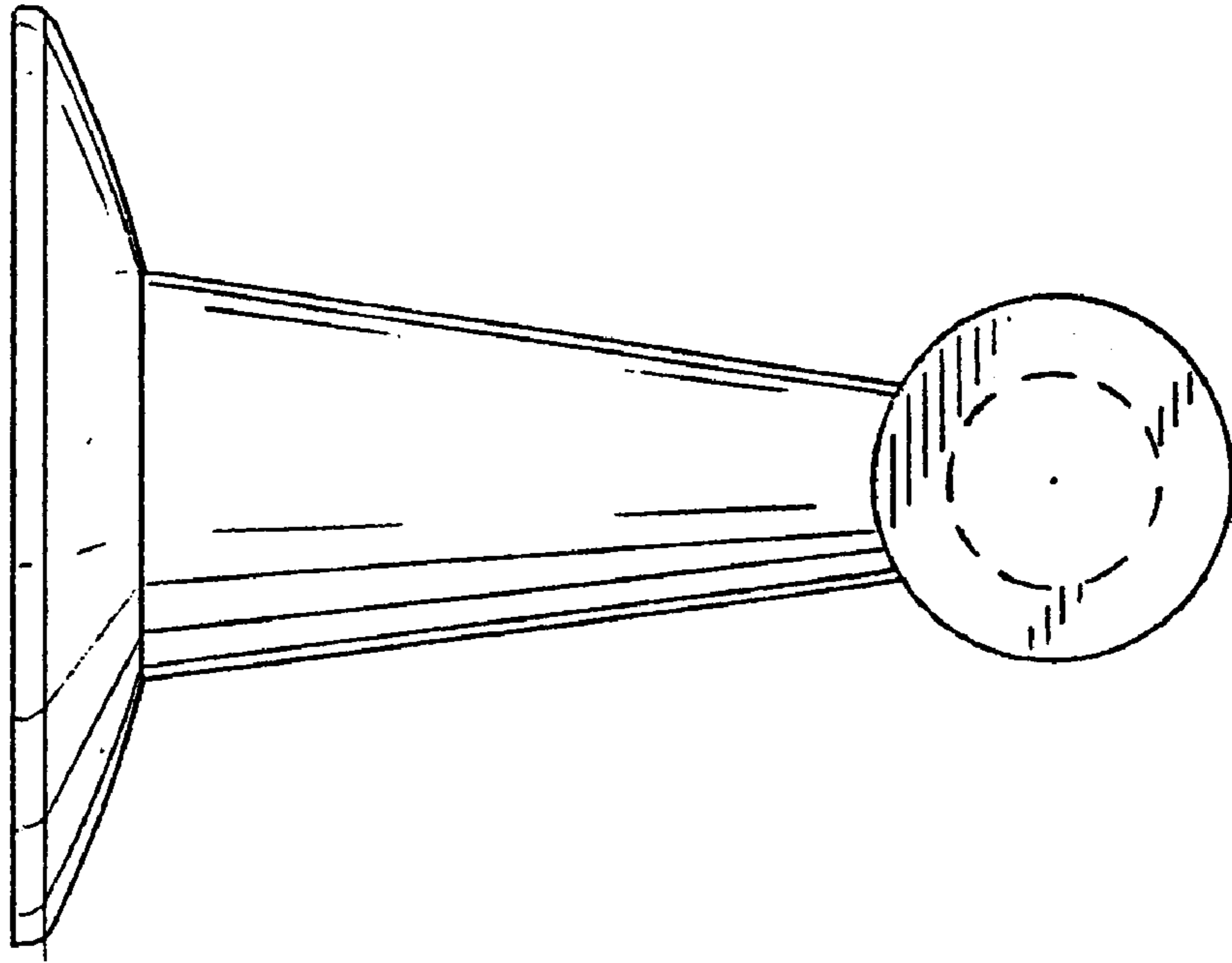


FIG. 4

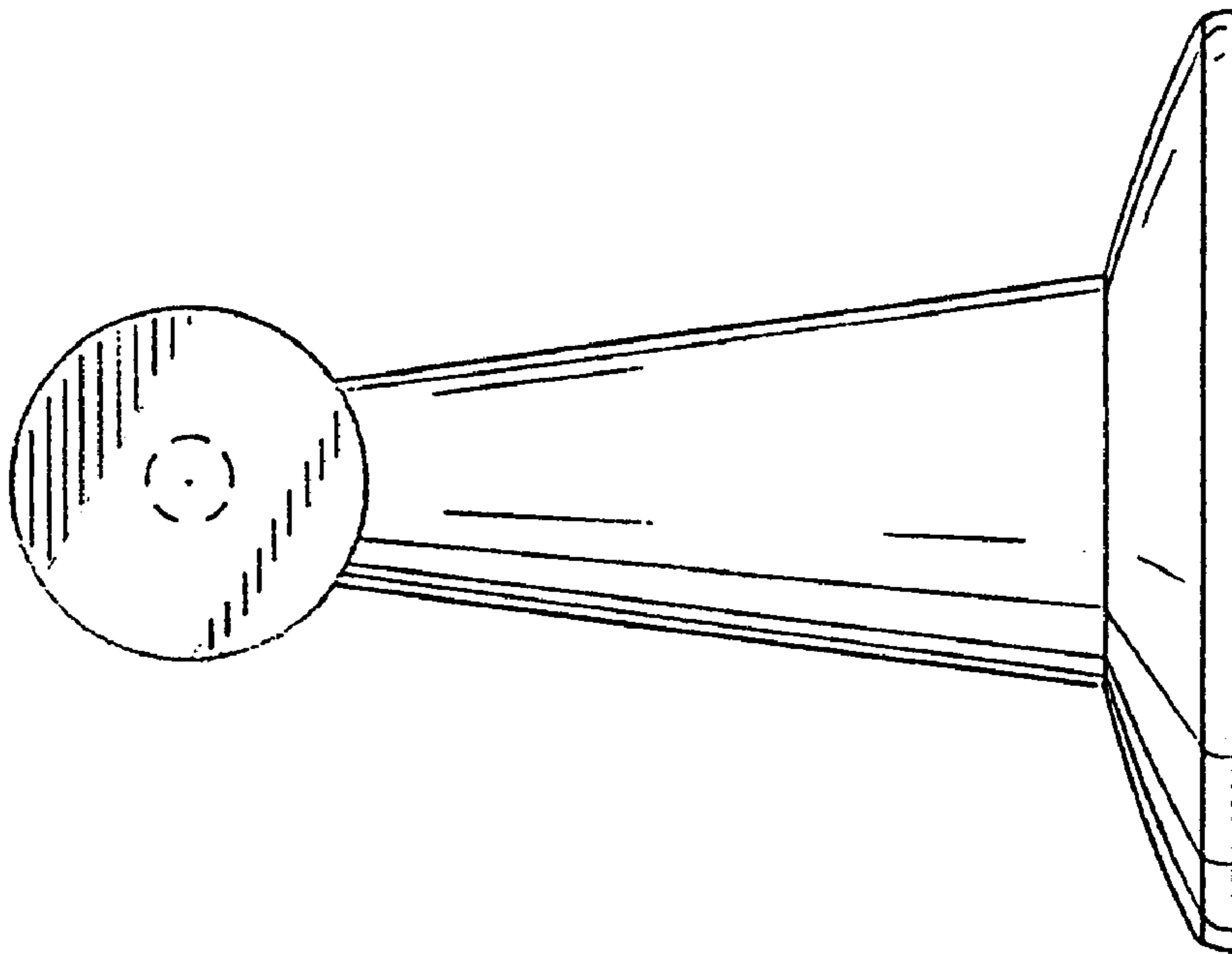


FIG. 5