



US00D42996S

United States Patent [19]
Fiorentino

[11] **Patent Number: Des. 429,996**

[45] **Date of Patent: ** Aug. 29, 2000**

[54] **BUCKLE FOR A PARACHUTE SEA ANCHOR**

*Primary Examiner—Holly Baynham
Attorney, Agent, or Firm—Morland C. Fischer*

[76] Inventor: **Jenero Fiorentino**, 2028 S. Grand Ave.,
San Pedro, Calif. 90732

[**] Term: **14 Years**

[57] **CLAIM**

The ornamental design for a buckle for a parachute sea anchor, as shown and described.

[21] Appl. No.: **29/111,035**

[22] Filed: **Sep. 21, 1999**

DESCRIPTION

[51] **LOC (7) Cl.** **08-05**

[52] **U.S. Cl.** **D8/356**

[58] **Field of Search** D8/367, 382, 356;
24/265 H, 265 AL, 265 CD

FIG. 1 is a side elevational view showing a buckle for a parachute sea anchor which forms my new design, the boat, parachute and tether lines which are shown in phantom being for illustrative purposes only and forming no part of my design;

[56] **References Cited**

U.S. PATENT DOCUMENTS

5,937,491 8/1999 Chih 24/265 H

FOREIGN PATENT DOCUMENTS

910825 11/1991 Norway .

OTHER PUBLICATIONS

FIG. 2 is a right side elevational view;

FIG. 3 is a top plan view thereof;

FIG. 4 is a front elevational view thereof;

FIG. 5 is a bottom plan view thereof;

FIG. 6 is a left side elevational view thereof; and,

FIG. 7 is a rear elevational view thereof.

I-FUII Catalog, back page, buckle item No. 005, located at bottom of page, Aug. 1995.

I-FUII Catalog, p. 33, swivel located at left of page, Aug. 1995.

1 Claim, 3 Drawing Sheets

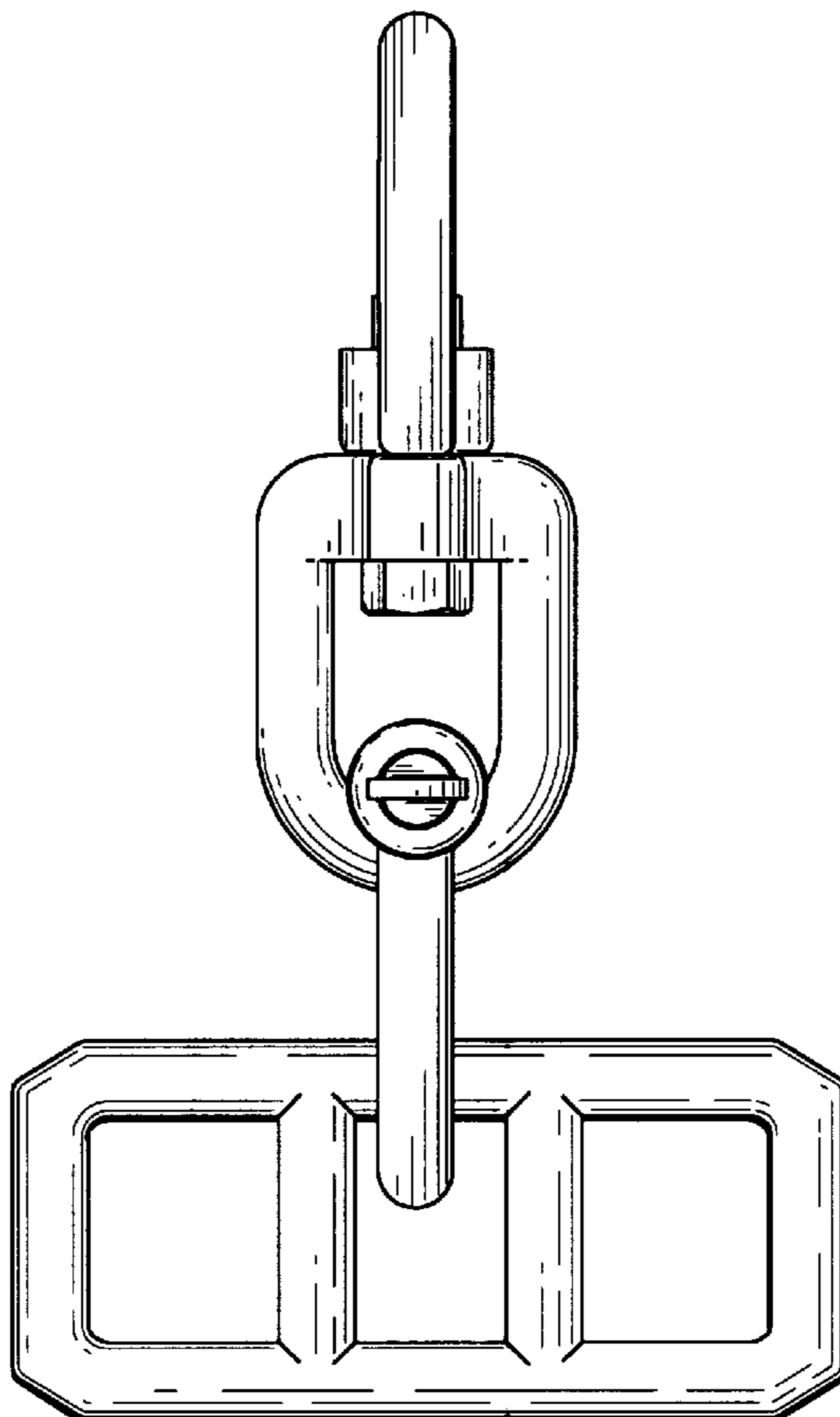


Fig. 1

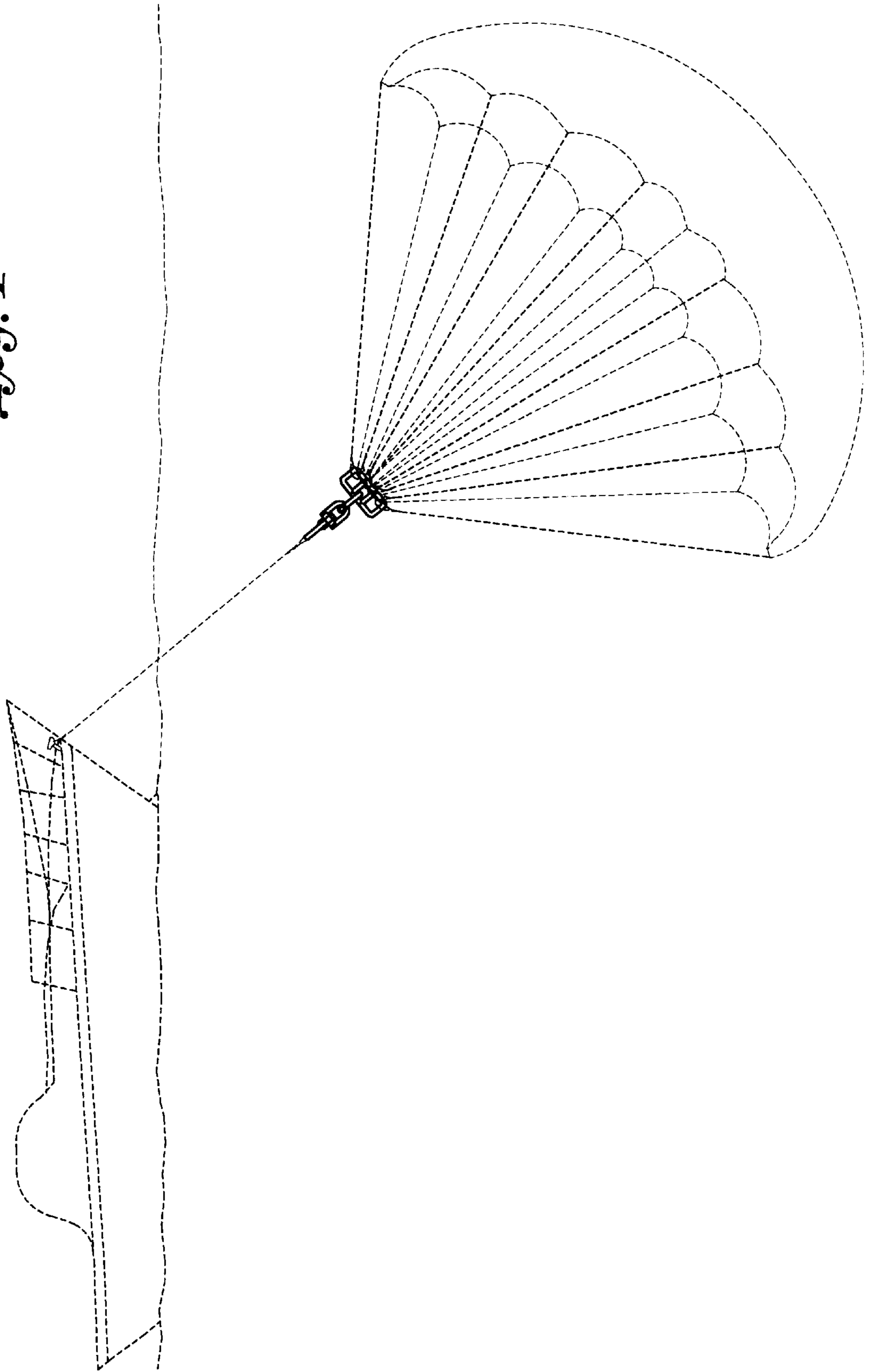


Fig. 3

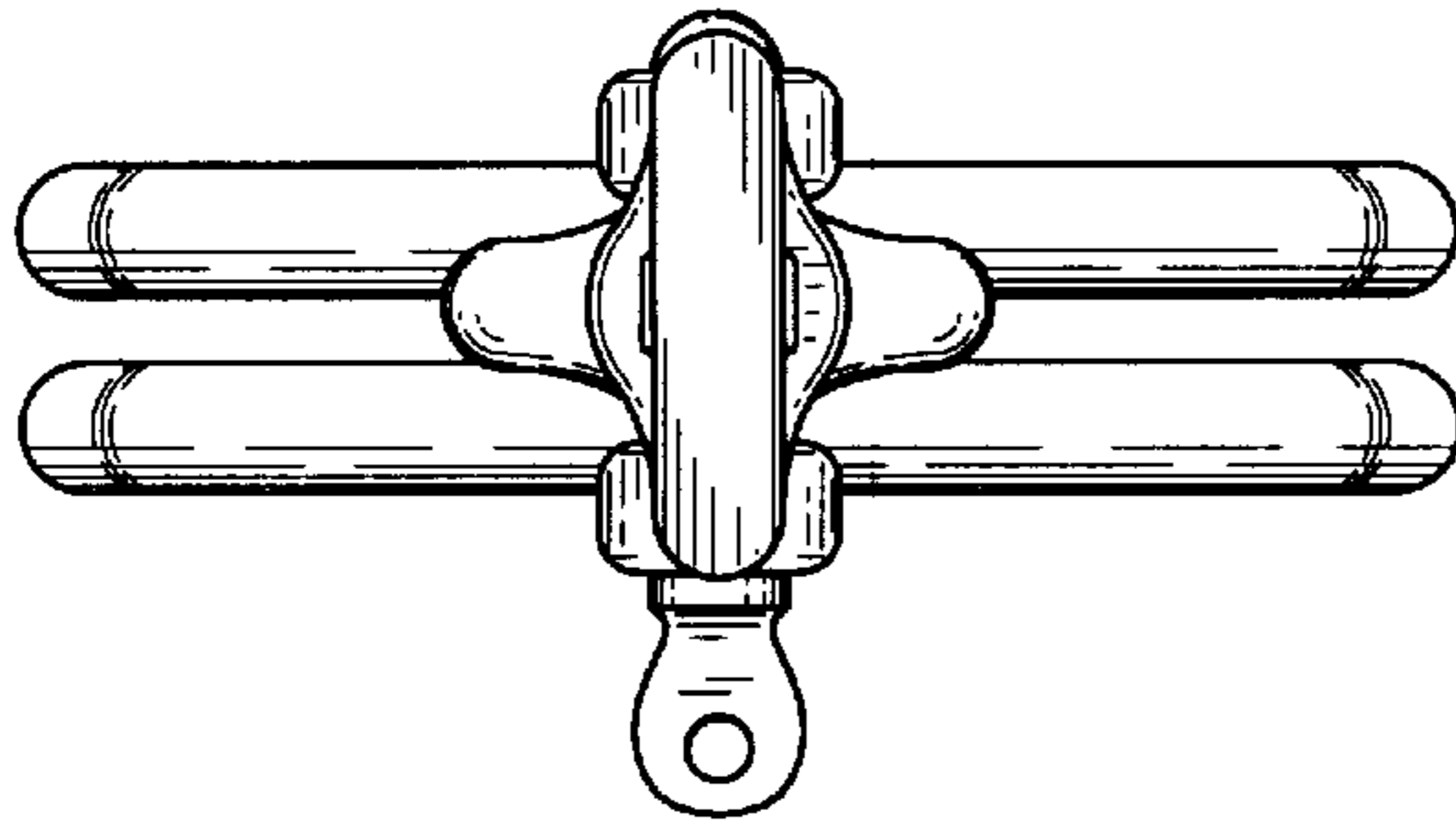


Fig. 2

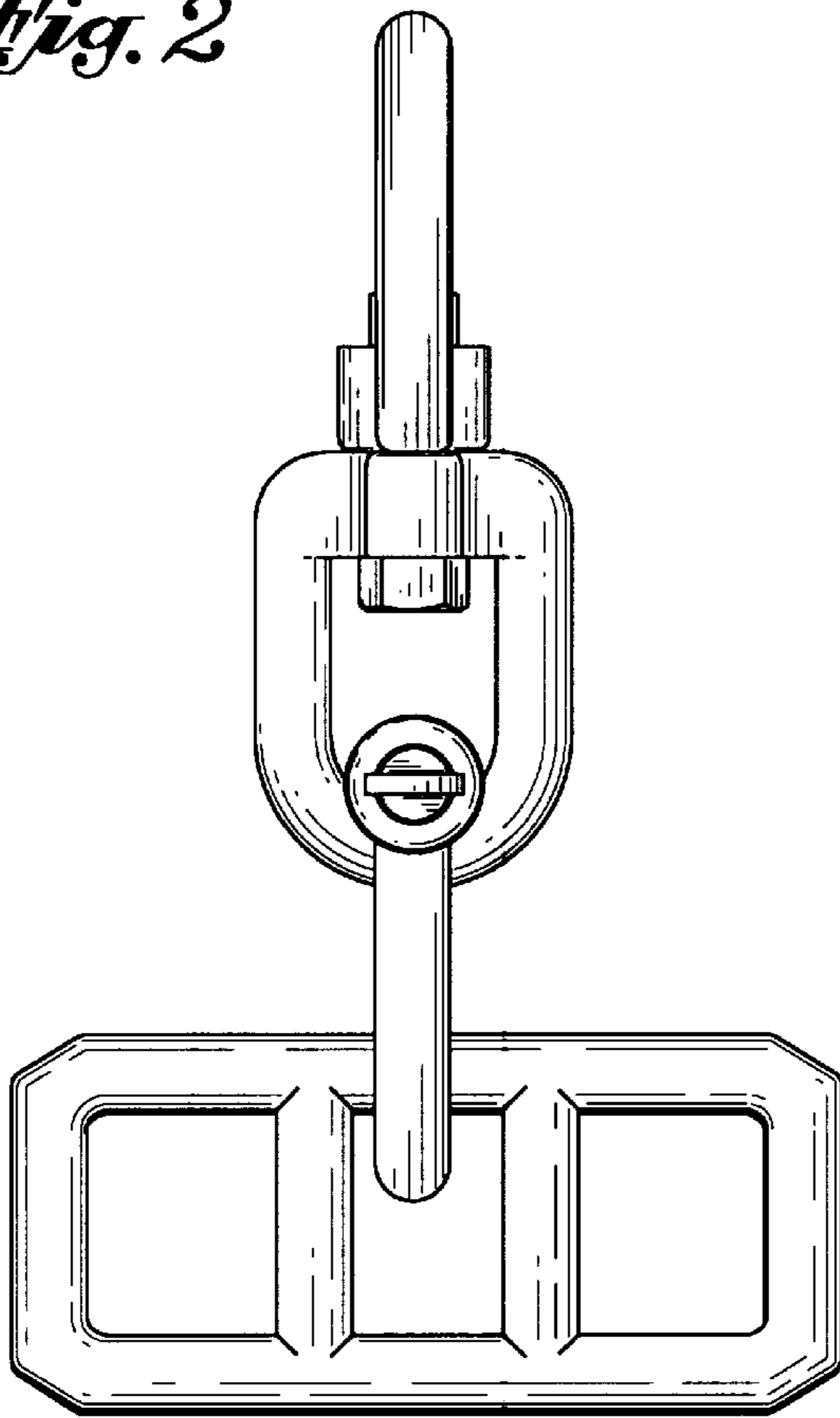


Fig. 4

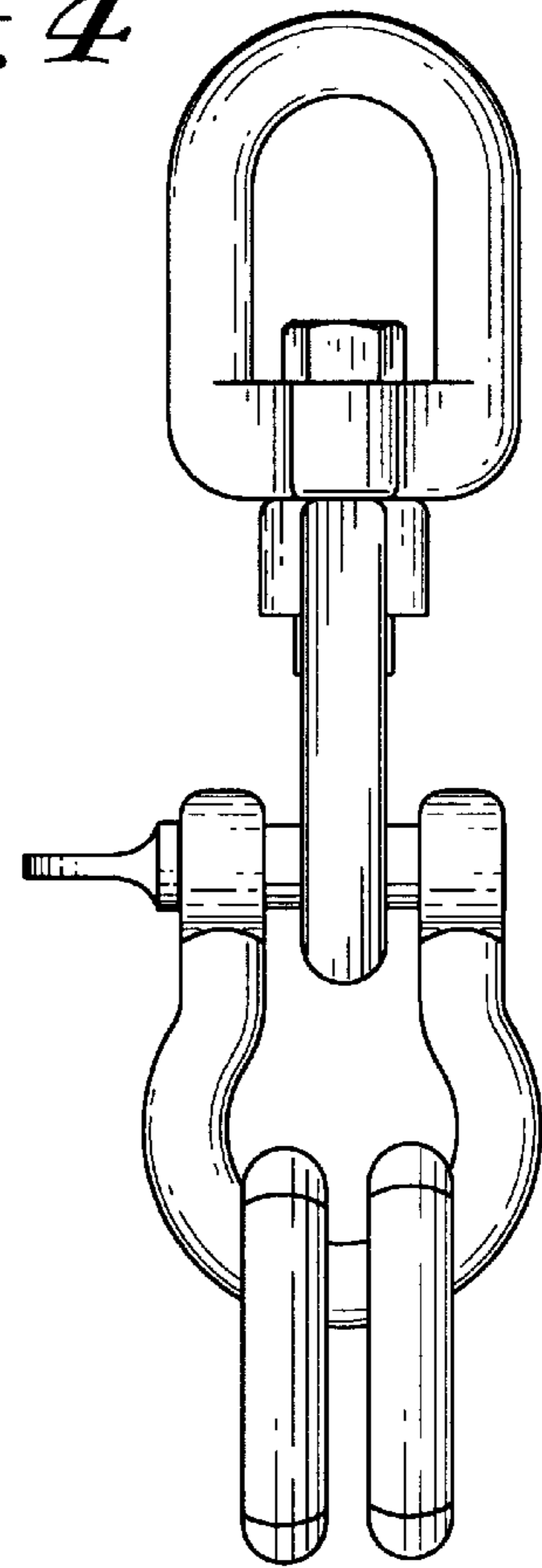


Fig. 5

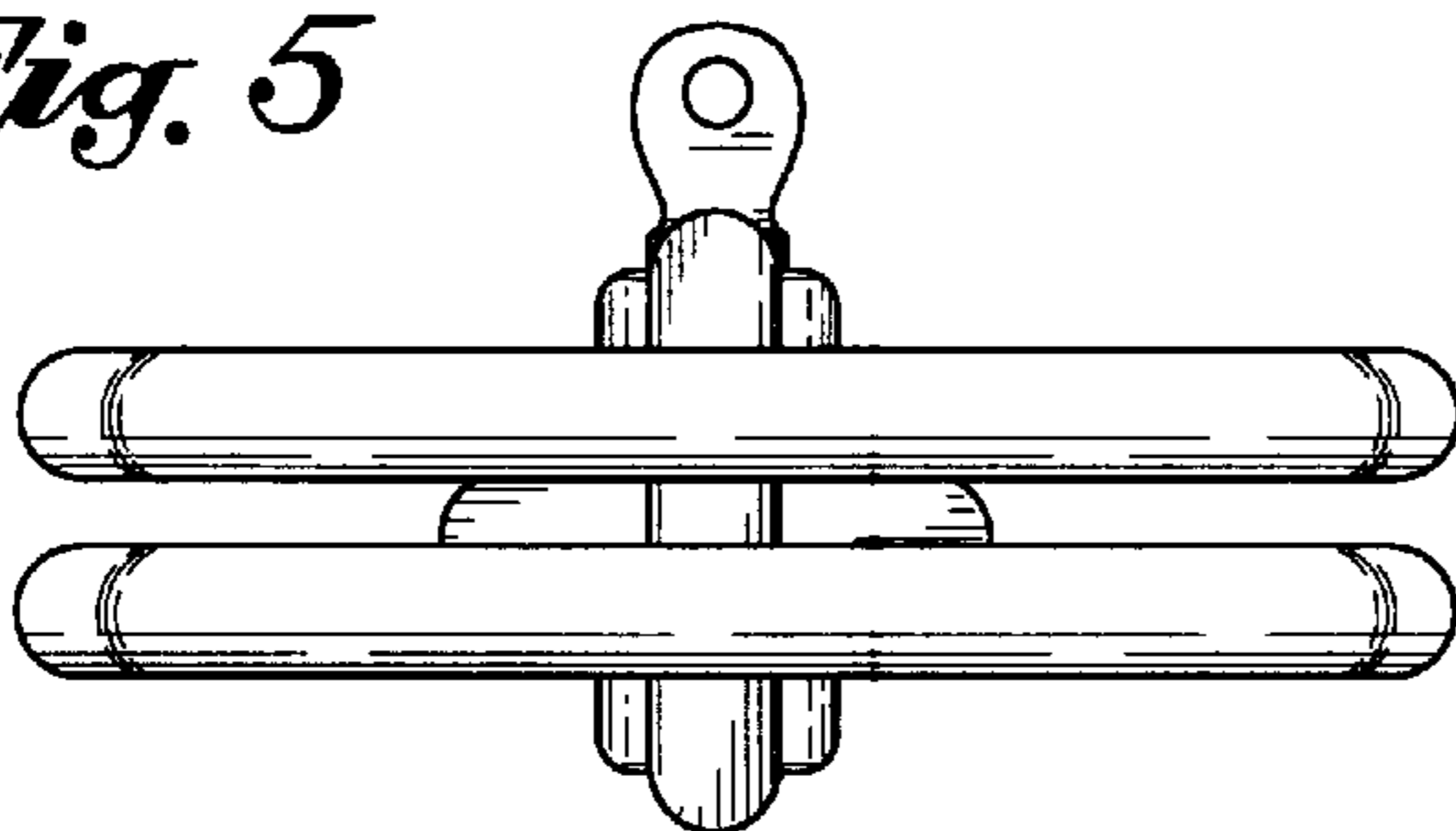


Fig. 6

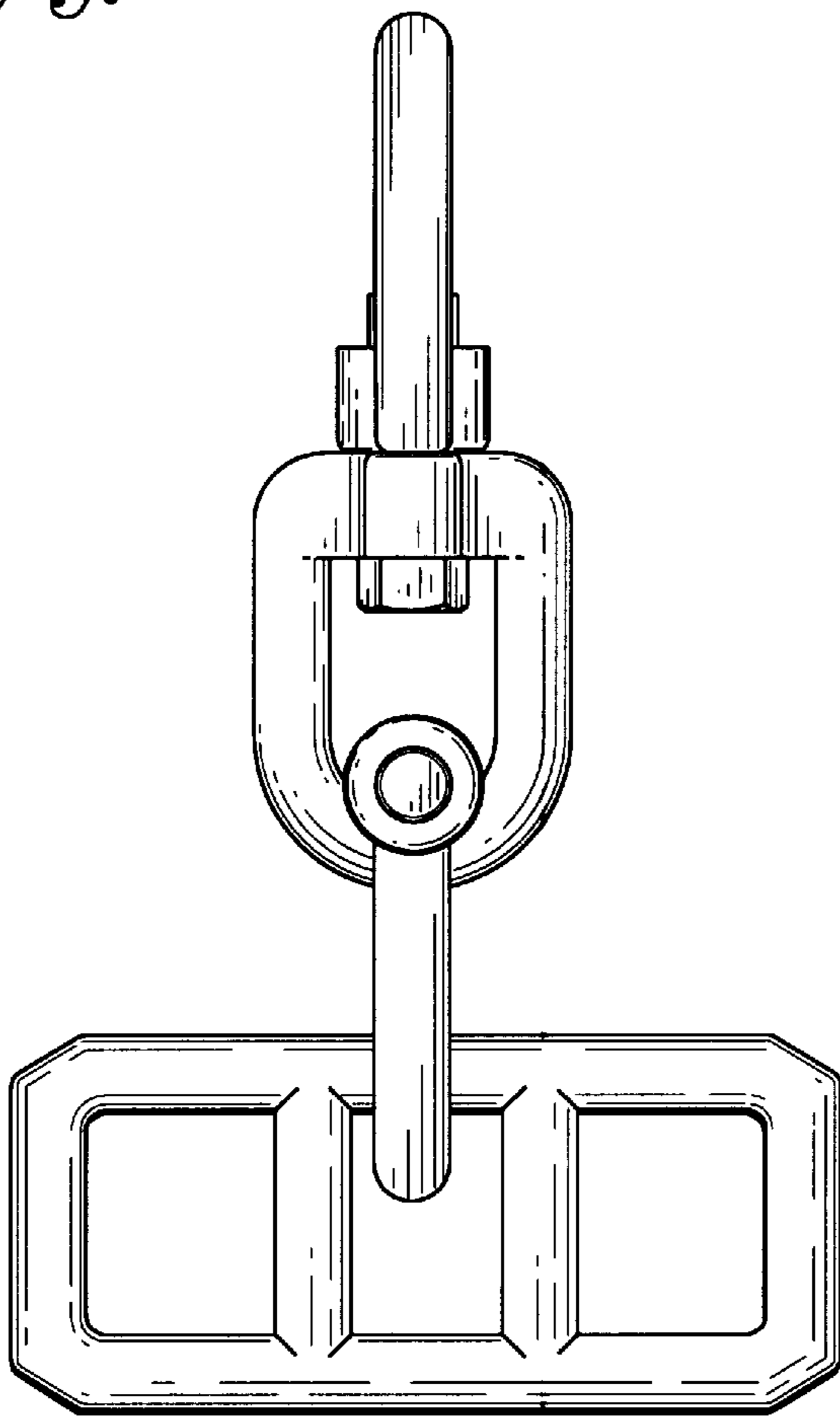


Fig. 7

