



US00D429995S

# United States Patent [19]

Lewis

[11] **Patent Number: Des. 429,995**

[45] **Date of Patent: \*\* Aug. 29, 2000**

[54] **MOTOR BRACKET**

[75] Inventor: **Albert L. Lewis**, Eureka, Mo.

[73] Assignee: **Lewis Electric Motor, Inc.**, Eureka, Mo.

[\*\*] Term: **14 Years**

[21] Appl. No.: **29/115,764**

[22] Filed: **Dec. 20, 1999**

[51] **LOC (7) Cl.** ..... **08-05**

[52] **U.S. Cl.** ..... **D8/354**

[58] **Field of Search** ..... D8/349, 354; D12/223; 248/300; 280/96.1

[56] **References Cited**

**U.S. PATENT DOCUMENTS**

- D. 301,832 6/1989 Hathaway ..... D8/349
- D. 318,785 8/1991 Lamar ..... D8/354 X
- D. 340,856 11/1993 McHugh ..... D8/354

D. 359,944 7/1995 Roberts et al. .... D8/354 X

*Primary Examiner*—Holly Baynham

*Attorney, Agent, or Firm*—Polster, Lieder, Woodruff & Lucchesi, L.C.

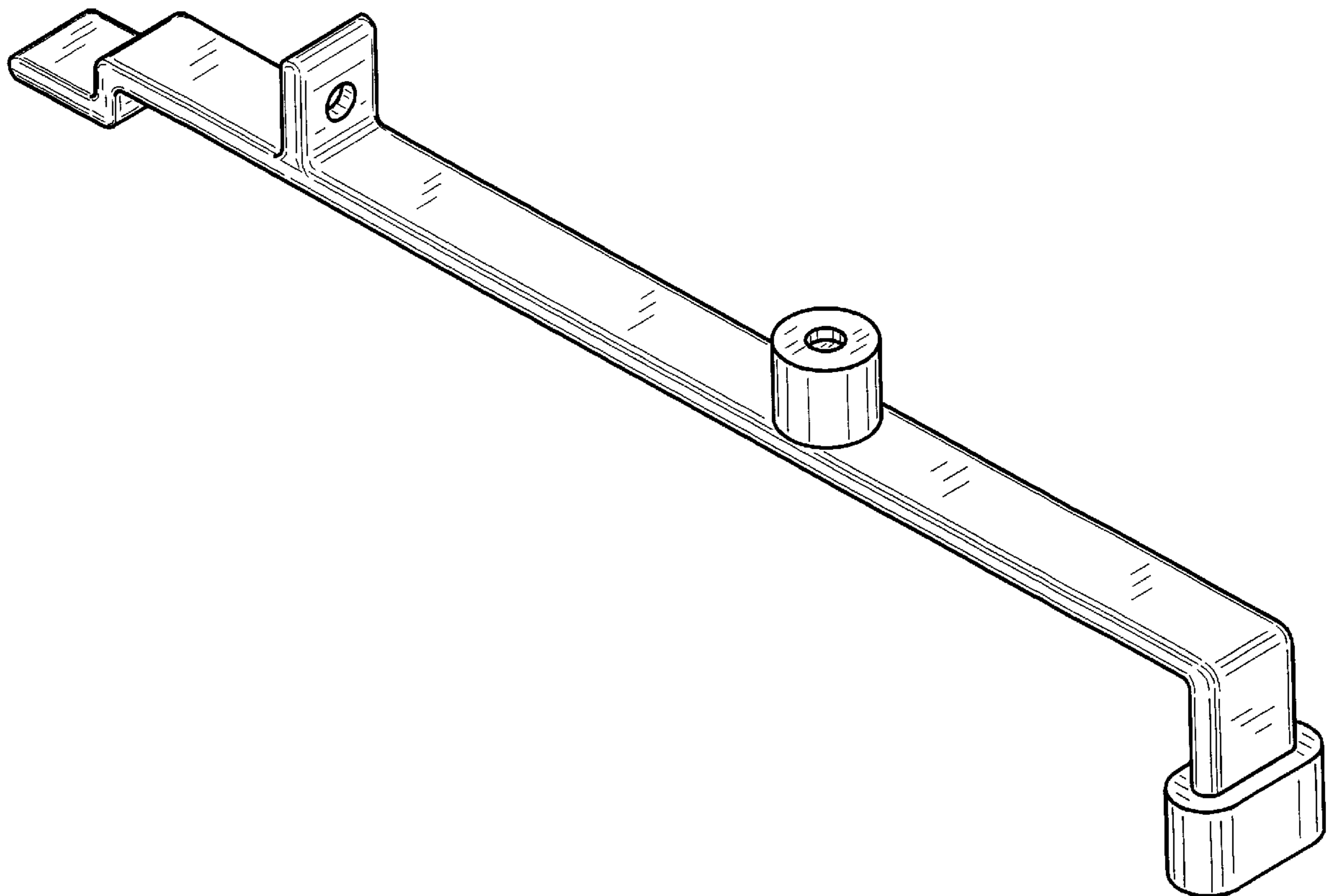
[57] **CLAIM**

The ornamental design for a motor bracket, as shown and described.

**DESCRIPTION**

FIG. 1 is view in perspective of a motor bracket of the present invention;  
 FIG. 2 is a view in side elevation of the motor bracket shown in FIG. 1;  
 FIG. 3 is an opposite side view thereof;  
 FIG. 4 is a bottom plan view thereof;  
 FIG. 5 is a top plan view thereof;  
 FIG. 6 is a plan view thereof; and,  
 FIG. 7 is a plan view thereof showing the side opposite of FIG. 6.

**1 Claim, 2 Drawing Sheets**



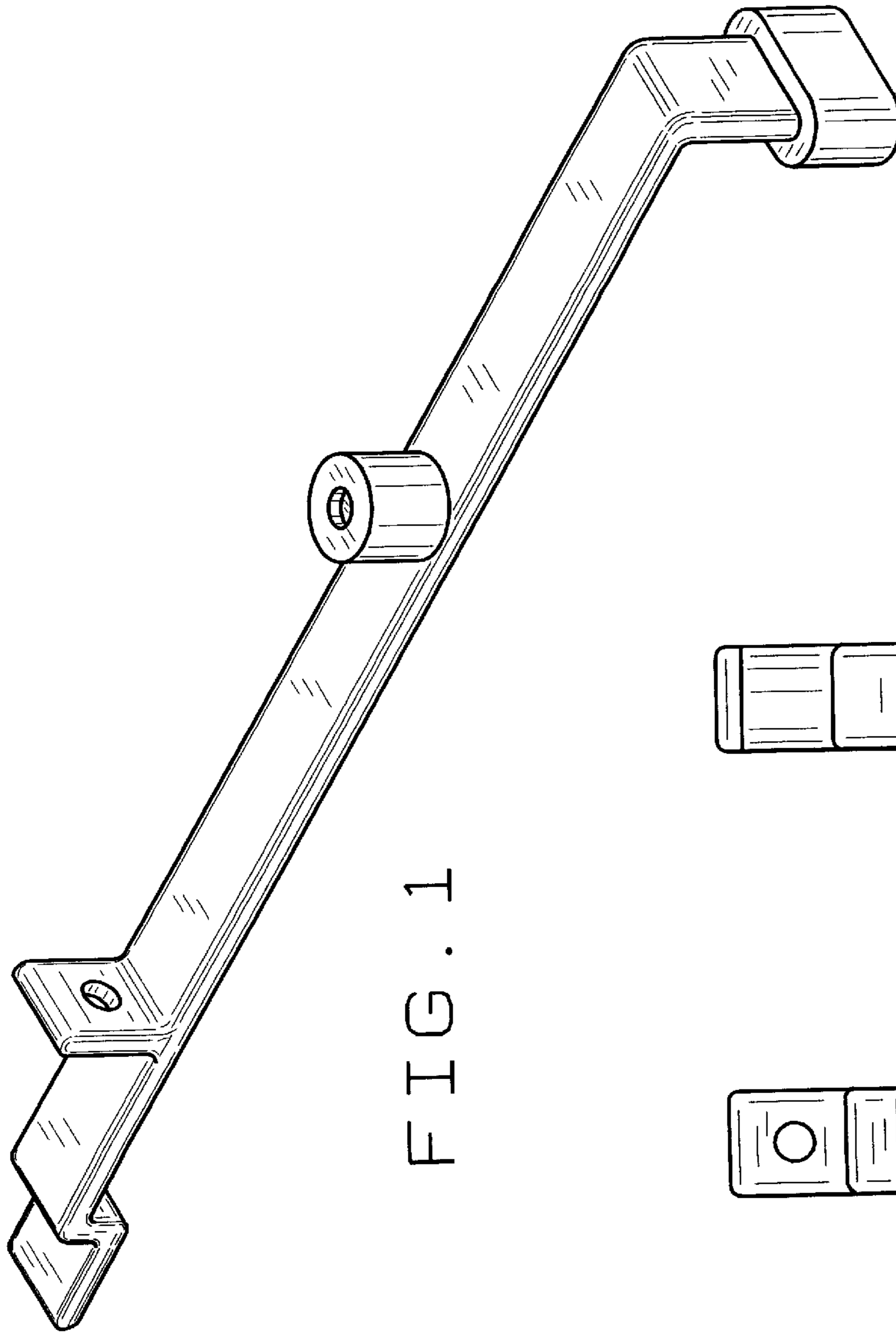


FIG. 1

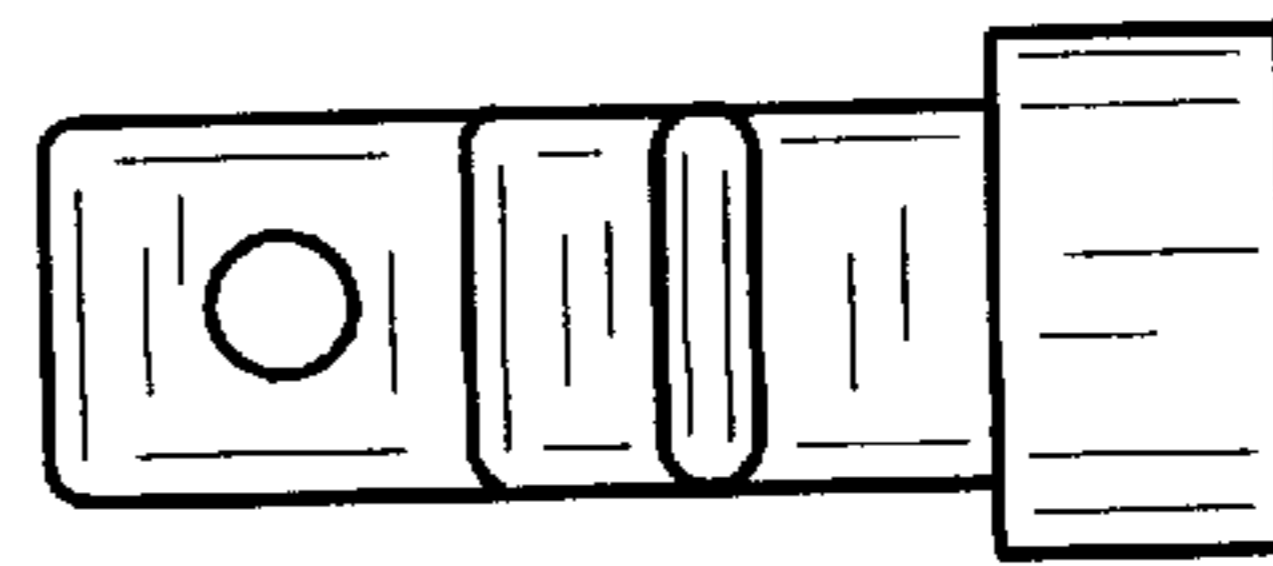
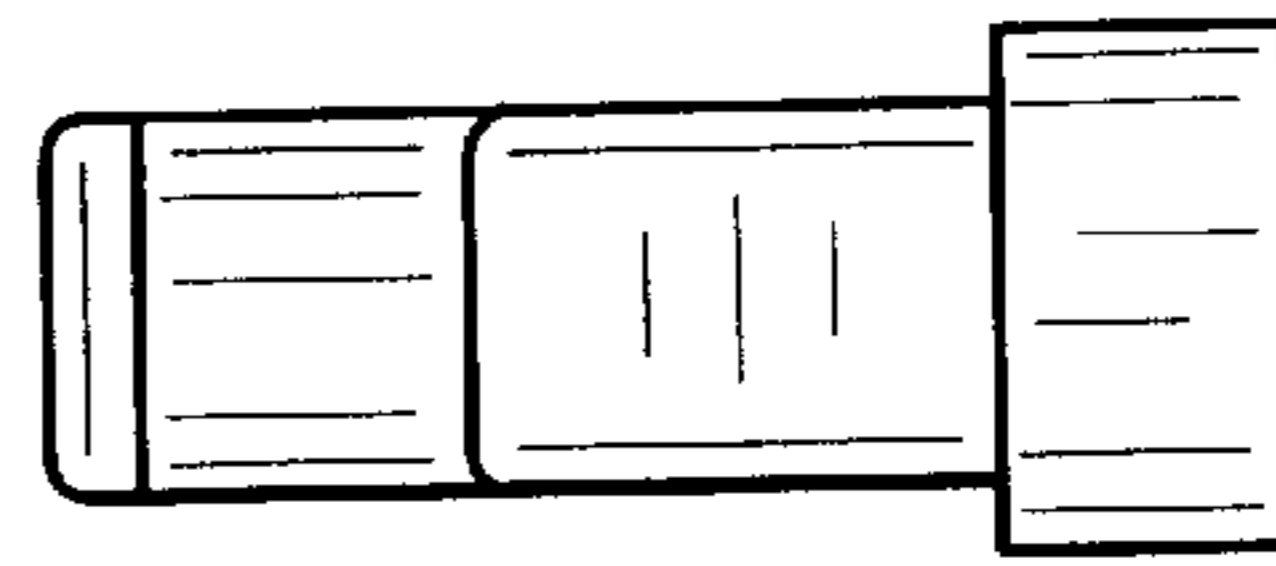


FIG. 4    FIG. 5

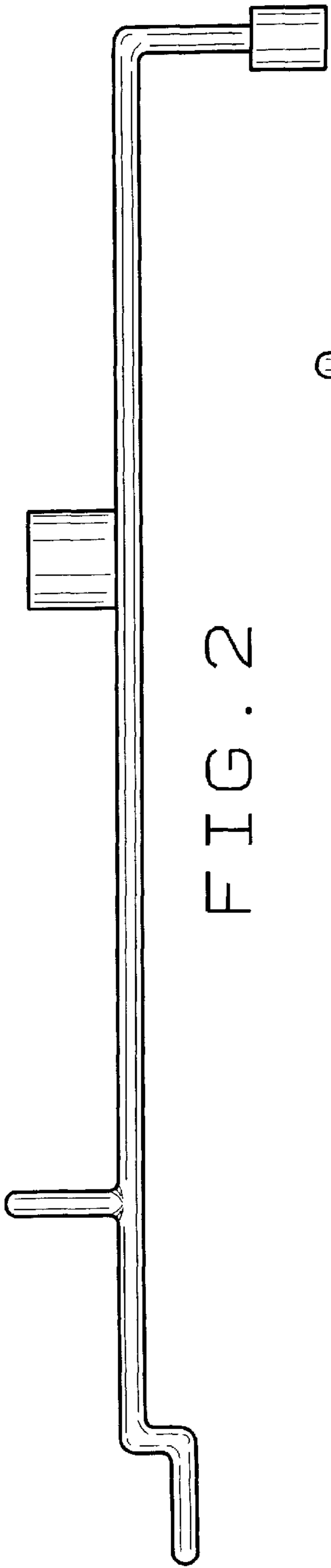


FIG. 2

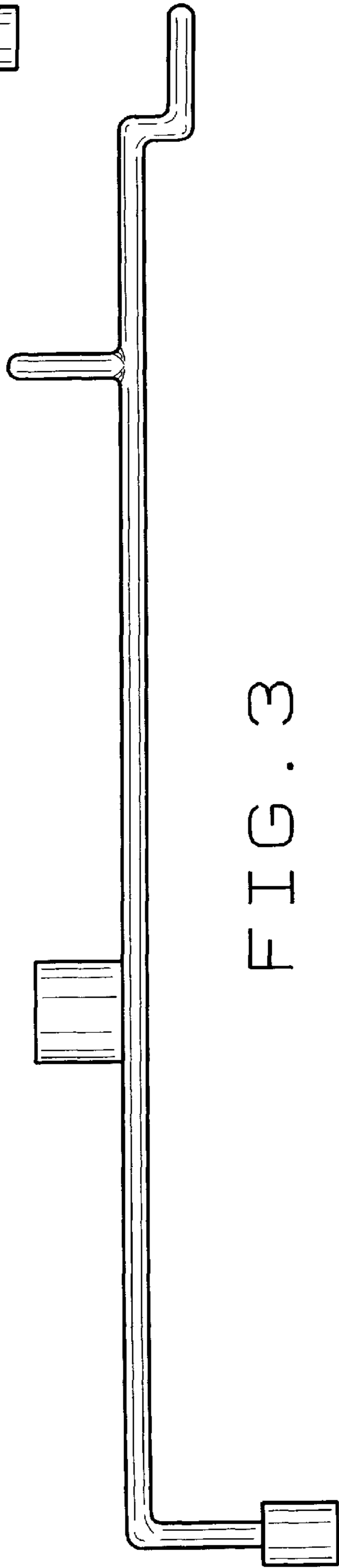


FIG. 3

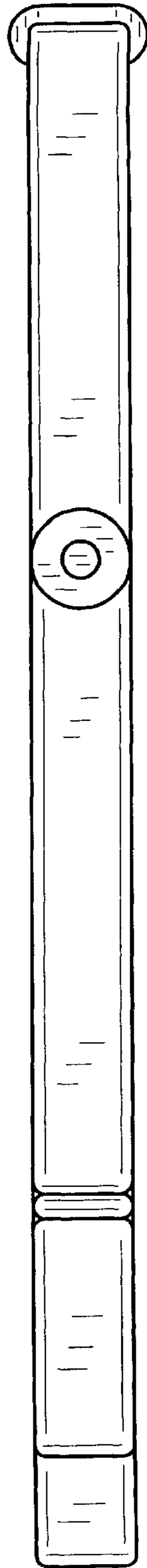


FIG. 6

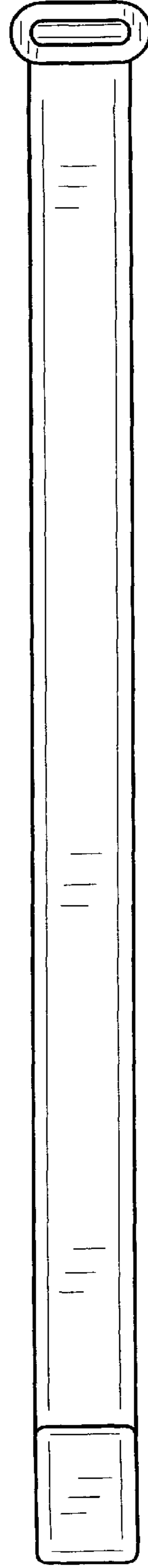


FIG. 7